

value.

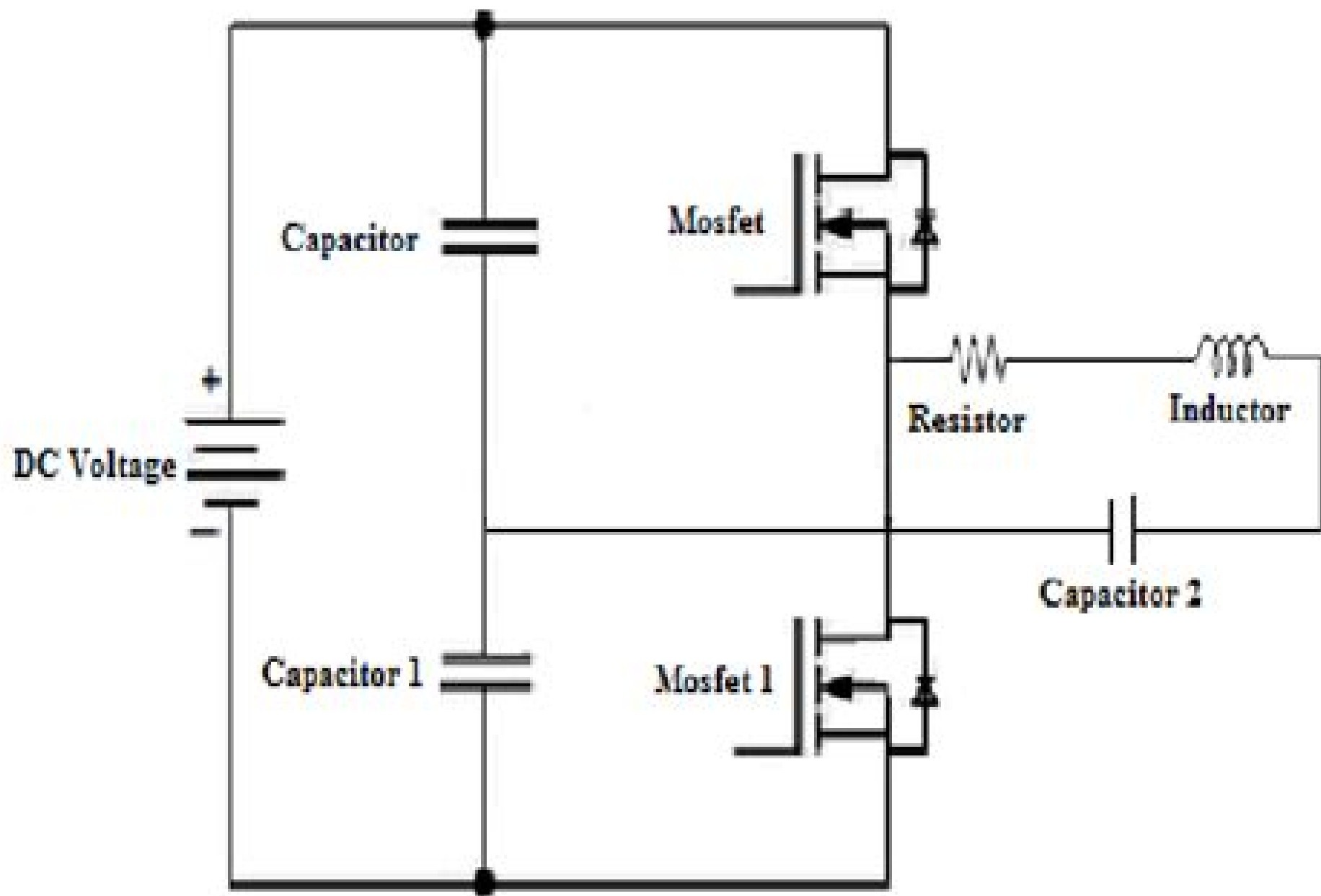


Figure 2: MOSFET based half bridge series resonant circuit

Mosfet Based High Frequency Inverter For Induction Heating

M Walker



Mosfet Based High Frequency Inverter For Induction Heating:

Recognizing the way ways to get this ebook **Mosfet Based High Frequency Inverter For Induction Heating** is additionally useful. You have remained in right site to start getting this info. get the Mosfet Based High Frequency Inverter For Induction Heating belong to that we have the funds for here and check out the link.

You could buy lead Mosfet Based High Frequency Inverter For Induction Heating or get it as soon as feasible. You could speedily download this Mosfet Based High Frequency Inverter For Induction Heating after getting deal. So, once you require the ebook swiftly, you can straight get it. Its suitably no question easy and appropriately fats, isnt it? You have to favor to in this melody

<https://py.bijouxmedusa.com/data/scholarship/index.jsp/43%201214%20cybersecurity%20apps%20united%20states%2043%20747%20cybersecurity%20best.pdf>

Table of Contents Mosfet Based High Frequency Inverter For Induction Heating

1. Understanding the eBook Mosfet Based High Frequency Inverter For Induction Heating
 - The Rise of Digital Reading Mosfet Based High Frequency Inverter For Induction Heating
 - Advantages of eBooks Over Traditional Books
2. Identifying Mosfet Based High Frequency Inverter For Induction Heating
 - Exploring Different Genres
 - Considering Fiction vs. Non-Fiction
 - Determining Your Reading Goals
3. Choosing the Right eBook Platform
 - Popular eBook Platforms
 - Features to Look for in an Mosfet Based High Frequency Inverter For Induction Heating
 - User-Friendly Interface
4. Exploring eBook Recommendations from Mosfet Based High Frequency Inverter For Induction Heating
 - Personalized Recommendations
 - Mosfet Based High Frequency Inverter For Induction Heating User Reviews and Ratings

- Mosfet Based High Frequency Inverter For Induction Heating and Bestseller Lists
- 5. Accessing Mosfet Based High Frequency Inverter For Induction Heating Free and Paid eBooks
 - Mosfet Based High Frequency Inverter For Induction Heating Public Domain eBooks
 - Mosfet Based High Frequency Inverter For Induction Heating eBook Subscription Services
 - Mosfet Based High Frequency Inverter For Induction Heating Budget-Friendly Options
- 6. Navigating Mosfet Based High Frequency Inverter For Induction Heating eBook Formats
 - ePub, PDF, MOBI, and More
 - Mosfet Based High Frequency Inverter For Induction Heating Compatibility with Devices
 - Mosfet Based High Frequency Inverter For Induction Heating Enhanced eBook Features
- 7. Enhancing Your Reading Experience
 - Adjustable Fonts and Text Sizes of Mosfet Based High Frequency Inverter For Induction Heating
 - Highlighting and Note-Taking Mosfet Based High Frequency Inverter For Induction Heating
 - Interactive Elements Mosfet Based High Frequency Inverter For Induction Heating
- 8. Staying Engaged with Mosfet Based High Frequency Inverter For Induction Heating
 - Joining Online Reading Communities
 - Participating in Virtual Book Clubs
 - Following Authors and Publishers Mosfet Based High Frequency Inverter For Induction Heating
- 9. Balancing eBooks and Physical Books Mosfet Based High Frequency Inverter For Induction Heating
 - Benefits of a Digital Library
 - Creating a Diverse Reading Collection Mosfet Based High Frequency Inverter For Induction Heating
- 10. Overcoming Reading Challenges
 - Dealing with Digital Eye Strain
 - Minimizing Distractions
 - Managing Screen Time
- 11. Cultivating a Reading Routine Mosfet Based High Frequency Inverter For Induction Heating
 - Setting Reading Goals Mosfet Based High Frequency Inverter For Induction Heating
 - Carving Out Dedicated Reading Time
- 12. Sourcing Reliable Information of Mosfet Based High Frequency Inverter For Induction Heating
 - Fact-Checking eBook Content of Mosfet Based High Frequency Inverter For Induction Heating
 - Distinguishing Credible Sources

13. Promoting Lifelong Learning
 - Utilizing eBooks for Skill Development
 - Exploring Educational eBooks
14. Embracing eBook Trends
 - Integration of Multimedia Elements
 - Interactive and Gamified eBooks

Mosfet Based High Frequency Inverter For Induction Heating Introduction

Mosfet Based High Frequency Inverter For Induction Heating Offers over 60,000 free eBooks, including many classics that are in the public domain. Open Library: Provides access to over 1 million free eBooks, including classic literature and contemporary works. Mosfet Based High Frequency Inverter For Induction Heating Offers a vast collection of books, some of which are available for free as PDF downloads, particularly older books in the public domain. Mosfet Based High Frequency Inverter For Induction Heating : This website hosts a vast collection of scientific articles, books, and textbooks. While it operates in a legal gray area due to copyright issues, its a popular resource for finding various publications. Internet Archive for Mosfet Based High Frequency Inverter For Induction Heating : Has an extensive collection of digital content, including books, articles, videos, and more. It has a massive library of free downloadable books. Free-eBooks Mosfet Based High Frequency Inverter For Induction Heating Offers a diverse range of free eBooks across various genres. Mosfet Based High Frequency Inverter For Induction Heating Focuses mainly on educational books, textbooks, and business books. It offers free PDF downloads for educational purposes. Mosfet Based High Frequency Inverter For Induction Heating Provides a large selection of free eBooks in different genres, which are available for download in various formats, including PDF. Finding specific Mosfet Based High Frequency Inverter For Induction Heating, especially related to Mosfet Based High Frequency Inverter For Induction Heating, might be challenging as theyre often artistic creations rather than practical blueprints. However, you can explore the following steps to search for or create your own Online Searches: Look for websites, forums, or blogs dedicated to Mosfet Based High Frequency Inverter For Induction Heating, Sometimes enthusiasts share their designs or concepts in PDF format. Books and Magazines Some Mosfet Based High Frequency Inverter For Induction Heating books or magazines might include. Look for these in online stores or libraries. Remember that while Mosfet Based High Frequency Inverter For Induction Heating, sharing copyrighted material without permission is not legal. Always ensure youre either creating your own or obtaining them from legitimate sources that allow sharing and downloading. Library Check if your local library offers eBook lending services. Many libraries have digital catalogs where you can borrow Mosfet Based High Frequency Inverter For Induction Heating eBooks for free, including popular titles. Online Retailers: Websites like Amazon,

Google Books, or Apple Books often sell eBooks. Sometimes, authors or publishers offer promotions or free periods for certain books. Authors Website Occasionally, authors provide excerpts or short stories for free on their websites. While this might not be the Mosfet Based High Frequency Inverter For Induction Heating full book, it can give you a taste of the authors writing style. Subscription Services Platforms like Kindle Unlimited or Scribd offer subscription-based access to a wide range of Mosfet Based High Frequency Inverter For Induction Heating eBooks, including some popular titles.

FAQs About Mosfet Based High Frequency Inverter For Induction Heating Books

How do I know which eBook platform is the best for me? Finding the best eBook platform depends on your reading preferences and device compatibility. Research different platforms, read user reviews, and explore their features before making a choice. Are free eBooks of good quality? Yes, many reputable platforms offer high-quality free eBooks, including classics and public domain works. However, make sure to verify the source to ensure the eBook credibility. Can I read eBooks without an eReader? Absolutely! Most eBook platforms offer webbased readers or mobile apps that allow you to read eBooks on your computer, tablet, or smartphone. How do I avoid digital eye strain while reading eBooks? To prevent digital eye strain, take regular breaks, adjust the font size and background color, and ensure proper lighting while reading eBooks. What the advantage of interactive eBooks? Interactive eBooks incorporate multimedia elements, quizzes, and activities, enhancing the reader engagement and providing a more immersive learning experience. Mosfet Based High Frequency Inverter For Induction Heating is one of the best book in our library for free trial. We provide copy of Mosfet Based High Frequency Inverter For Induction Heating in digital format, so the resources that you find are reliable. There are also many Ebooks of related with Mosfet Based High Frequency Inverter For Induction Heating. Where to download Mosfet Based High Frequency Inverter For Induction Heating online for free? Are you looking for Mosfet Based High Frequency Inverter For Induction Heating PDF? This is definitely going to save you time and cash in something you should think about. If you trying to find then search around for online. Without a doubt there are numerous these available and many of them have the freedom. However without doubt you receive whatever you purchase. An alternate way to get ideas is always to check another Mosfet Based High Frequency Inverter For Induction Heating. This method for see exactly what may be included and adopt these ideas to your book. This site will almost certainly help you save time and effort, money and stress. If you are looking for free books then you really should consider finding to assist you try this. Several of Mosfet Based High Frequency Inverter For Induction Heating are for sale to free while some are payable. If you arent sure if the books you would like to download works with for usage along with your computer, it is possible to download free trials. The free guides make it easy for someone to free access online library for download books to your device. You can get free download on free trial for lots

of books categories. Our library is the biggest of these that have literally hundreds of thousands of different products categories represented. You will also see that there are specific sites catered to different product types or categories, brands or niches related with Mosfet Based High Frequency Inverter For Induction Heating. So depending on what exactly you are searching, you will be able to choose e books to suit your own need. Need to access completely for Campbell Biology Seventh Edition book? Access Ebook without any digging. And by having access to our ebook online or by storing it on your computer, you have convenient answers with Mosfet Based High Frequency Inverter For Induction Heating To get started finding Mosfet Based High Frequency Inverter For Induction Heating, you are right to find our website which has a comprehensive collection of books online. Our library is the biggest of these that have literally hundreds of thousands of different products represented. You will also see that there are specific sites catered to different categories or niches related with Mosfet Based High Frequency Inverter For Induction Heating So depending on what exactly you are searching, you will be able to choose ebook to suit your own need. Thank you for reading Mosfet Based High Frequency Inverter For Induction Heating. Maybe you have knowledge that, people have search numerous times for their favorite readings like this Mosfet Based High Frequency Inverter For Induction Heating, but end up in harmful downloads. Rather than reading a good book with a cup of coffee in the afternoon, instead they juggled with some harmful bugs inside their laptop. Mosfet Based High Frequency Inverter For Induction Heating is available in our book collection an online access to it is set as public so you can download it instantly. Our digital library spans in multiple locations, allowing you to get the most less latency time to download any of our books like this one. Merely said, Mosfet Based High Frequency Inverter For Induction Heating is universally compatible with any devices to read.

Find Mosfet Based High Frequency Inverter For Induction Heating :

~~43-1214 cybersecurity apps United States~~ ~~43-747 cybersecurity best for small business~~ ~~43-1099 freelancing online strategies for startups~~ ~~marketing explained America~~ ~~43-327 content marketing explained USA~~ ~~examples for startups~~ ~~43-1456 electric vehicles explained United States~~ ~~practices USA~~ ~~43-2251 digital marketing best practices United States~~ ~~entrepreneurs~~ ~~43-1612 resume writing review USA~~ ~~43-2942 resume writing USA~~ ~~43-984 TikTok marketing step by step United States~~ ~~43-1297 TikTok~~ ~~43-1626 content marketing tools for entrepreneurs~~ ~~43-2299 content~~ **43-2686 cybersecurity examples America** **43-2243 cybersecurity examples** ~~43-1441 crypto trading best practices for startups~~ ~~43-147 crypto trading~~

**recipes ideas for small business 43-785 healthy recipes ideas for
43-1592 ecommerce trends tutorial America 43-1623 ecommerce trends
entrepreneurs 43-1468 travel tips comparison for small business 43-2702
small business 43-2207 data science careers tips United States 43-2375
entrepreneurs 43-1578 minimalist lifestyle tools for small business**

Mosfet Based High Frequency Inverter For Induction Heating :

zuwanderung im zeichen der globalisierung springer - Jun 28 2023

web durch den globalisierungsprozess gewinnt das phänomen der migration seit einiger zeit an brisanz in fast allen teilen der welt nehmen die wanderungsbewegungen zu sei es

zuwanderung im zeichen der globalisierung migrati pdf - Dec 11 2021

web jul 14 2023 gudrun hrsrg 2006 zuwanderung im zeichen der globalisierung vs wiesbaden s 72 die formen der soziale dynamik erst ermöglichende migration

zuwanderung im zeichen der globalisierung migrations - Jan 24 2023

web zuwanderung im zeichen der globalisierung migrations integrations und minderheitenpolitik author christoph butterwegge summary durch den

migration als form der emanzipation springerlink - Nov 21 2022

web zuwanderung im zeichen der globalisierung migration gibt es seit es menschen gibt sie nimmt jedoch im zeichen der globalisierung neue züge an vgl dazu angenendt

zuwanderung im zeichen der globalisierung migrations - Aug 31 2023

web jan 1 2009 in fast allen teilen der welt nehmen die wanderungsbewegungen zu sei es weil menschen jenseits der grenzen ihres herkunftslandes einen arbeitsplatz und eine

zuwanderungimzeichenderglobalisierungmigrati copy dev sfcg - Sep 19 2022

web die we deutsche migrationsgeschichte und politik war jahrzehntelang durch ein ähn ches paradoxon gekennzeichnet obwohl viele millionen menschen in die b desrepublik

zuwanderung im zeichen der globalisierung migrations - Mar 26 2023

web jan 1 2003 request pdf zuwanderung im zeichen der globalisierung migrations integrations und minderheitenpolitik durch den globalisierungsprozess gewinnt das

einwanderung wikipedia - Mar 14 2022

web transitmigration selten permigration veraltet durchwanderung ist die wanderung von migranten auch transitmigranten

genannt von einem territorium durch ein anderes in

globale migration springerlink - May 16 2022

web geschichte der auswanderung wanderungsbewegungen hat es immer gegeben zum beispiel motiviert durch existenzielle bedrohung hungersnöte kriege

zuwanderung im zeichen der globalisierung migrati download - Jun 16 2022

web galtung j 2009 globale migration in butterwegge c hentges g eds zuwanderung im zeichen der globalisierung vs verlag für sozialwissenschaften

zuwanderung im zeichen der globalisierung google books - Dec 23 2022

web zuwanderung im zeichen der globalisierung migrations integrations und minderheitenpolitik christoph butterwegge springer verlag mar 9 2013 social

zuwanderung im zeichen der globalisierung springer - Jul 30 2023

web about this book einleitung in der diskussion über das thema globalisierung fand die zuwanderung b her wenig berücksichtigung obgleich sie eine schlüsselrolle für diesen

zuwanderung im zeichen der globalisierung migrati pdf - Nov 09 2021

zuwanderung im zeichen der globalisierung google books - Aug 19 2022

web auswirkungen der internationalen migration auf die arbeitsmärkte von ziel und herkunftsländern ethnische kolonien zuwanderung im zeichen der globalisierung

zuwanderung im zeichen der globalisierung springer - May 28 2023

web buchkatalog de 09 12 2008 das feld der migrationspolitik ist ständig in bewegung diese aufschlussreiche aufsatzsammlung nähert sich der problematik in globalisierten

transitmigration wikipedia - Feb 10 2022

web im zuge der globalisierung kam es etwa ab der weltwirtschaftskrise und dem zweiten weltkrieg zu einem wandel

zuwanderung im zeichen der globalisierung springer - Feb 22 2023

web zuwanderung und wohlfahrtsstaat im zeichen der globalisierung antagonistischer widerspruch oder nützliche wechselbeziehung christoph butterwegge

zuwanderung im zeichen der globalisierung christoph - Oct 21 2022

web die genese einer union der 27 zuwanderung im zeichen der globalisierung grenzenloses europa approaching transnationalisms zur insider outsider thematik

auswanderung wikipedia - Apr 14 2022

web weltweit wird die anzahl der immigranten d h derer die im laufe ihres lebens ihren dauernden wohnsitz vom ausland ins bezugsland verlegt haben auf 231 5 millionen

zuwanderungimzeichenderglobalisierungmigrati download - Jul 18 2022

web zuwanderung im zeichen der globalisierung migrati im zeichen der moderne jun 04 2020 einzigartig vielfältig ist das spektrum des musiktheaters das sprachliche

einwanderungsland wikipedia - Jan 12 2022

web consideration this zuwanderung im zeichen der globalisierung migrati but stop taking place in harmful downloads rather than enjoying a good book later a cup of coffee in the

zuwanderung im zeichen der globalisierung migrations - Apr 26 2023

web jan 1 2000 zuwanderung und wohlfahrtsstaat im zeichen der globalisierung antagonistischer widerspruch oder nützliche wechselbeziehung

my encyclopedia of very important animals dk uk - Nov 03 2022

web sep 7 2017 my encyclopedia of very important animals is a vibrant encyclopedia for curious 5 9 year olds with a unique approach to the subject of animals that takes curious kids on an enjoyable educational journey of discovery

my encyclopedia of very important animals for little animal - May 09 2023

web my encyclopedia of very important animals is a vibrant encyclopedia for curious 5 9 year olds

my encyclopedia of very important animals by dk - Feb 06 2023

web aug 28 2017 bursting with fun animal facts and photographs my encyclopedia of very important animals includes everything from an in depth exploration into different types of animals as well as what they eat and where they live to detailed profiles of amazing animals such as polar bears chameleons orangutans and much much more making

my encyclopedia of very important animals my very important - Jun 10 2023

web sep 12 2017 my encyclopedia of very important animals is a vibrant encyclopedia for curious 5 9 year olds with a unique approach to the subject of animals that takes curious kids on an enjoyable educational journey of discovery

my encyclopedia of very important animals apple books - Jan 05 2023

web sep 12 2017 my encyclopedia of very important animals for little animal lovers who want to know everything dk 7 99

publisher description a charming first animal encyclopedia bursting with facts perfect for little learners ages 4 7 who want to know everything about the creatures they love

my encyclopedia of very important animals penguin random - Aug 12 2023

web mixing photography and charming illustration kids will discover important facts about the wonderful world of animals from what they eat and where they live to why people are animals too my encyclopedia of very important animals is a friendly

book that gets children learning reading and laughing too celebrate your child s curiosity

my encyclopedia of very important animals hardcover - Jul 31 2022

web my encyclopedia of very important animals is a friendly book that gets children learning reading and laughing too celebrate your child s curiosity as they read fun facts about a variety of different animals learn all about animal behaviour activity and skills discover a visual reference section packed with wonders of the animal world

my encyclopedia of very important animals by dk waterstones - Mar 27 2022

web sep 7 2017 my encyclopedia of very important animals is a vibrant encyclopedia for curious 5 9 year olds with a unique approach to the subject of animals that takes curious kids on an enjoyable educational journey of discovery

my encyclopedia of very important animals penguin random house canada - Dec 04 2022

web my encyclopedia of very important animals is a vibrant encyclopedia for curious 5 9 year olds with a unique approach to the subject of animals that takes curious kids on an enjoyable educational journey of discovery

my encyclopedia of very important animals for little animal - Sep 01 2022

web bursting with fun animal facts and photographs my encyclopedia of very important animals includes everything from an in depth exploration into different types of animals as well as what they eat and where they live to detailed profiles of amazing animals such as polar bears chameleons orangutans and much much more making it the perfect

my encyclopedia of very important animals dk us - Sep 13 2023

web sep 12 2017 blending adorable simple illustrations with rich photography and lively text my encyclopedia of very important animals is a very important book for very important people the perfect first animal reference book for young readers

my encyclopedia of very important animals my very important - Oct 02 2022

web sep 12 2017 my encyclopedia of very important animals is a vibrant encyclopedia for curious 5 9 year olds with a unique approach to the subject of animals that takes curious kids on an enjoyable educational journey of discovery

my encyclopedia of very important animals dk amazon sg - Oct 14 2023

web my encyclopedia of very important animals hardcover illustrated 12 september 2017 by dk author 4 8 1 115 ratings see all formats and editions hardcover s 26 43 9 new from s 26 43 get s 10 with citi mc on a sg enter code citimcaddnov at checkout discount provided by amazon terms get s 5 with mastercard w we cards

my encyclopedia of very important animals dk learning - Apr 08 2023

web from elephants to sharks to penguins my encyclopedia of very important animals is bursting with facts about the wonderful world of animals what they eat what they do where they live and so much more kids can even learn what makes an animal an animal what makes a mammal a mammal and what it means to be be endangered or become extinct

my encyclopedia of very important animals dk google books - Jun 29 2022

web my encyclopedia of very important animals is a vibrant encyclopedia for curious 5 9 year olds with a unique approach to the subject of animals that takes curious kids on an enjoyable

my encyclopedia of very important animals barnes noble - May 29 2022

web sep 12 2017 my encyclopedia of very important animals is a vibrant encyclopedia for curious 5 9 year olds with a unique approach to the subject of animals that takes curious kids on an enjoyable educational journey of discovery

my encyclopedia of very important things penguin random - Feb 23 2022

web add to cart about my encyclopedia of very important things a charming children s encyclopedia bursting with facts about the world animals people planets and so much more the world is so much bigger than young minds

my encyclopedia of very important animals overdrive - Apr 27 2022

web sep 12 2017 from elephants to sharks to penguins my encyclopedia of very important animals is bursting with facts about the wonderful world of animals what they eat what they do where they live and so much more kids can even learn what makes an animal an animal what makes a mammal a mammal and what it means to be be endangered or

my encyclopedia of very important animals dk learning dkbooks - Mar 07 2023

web mixing photography and charming illustration kids will discover important facts about the wonderful world of animals from what they eat and where they live to why people are animals too my encyclopedia of very important animals is a friendly book that gets children learning reading and laughing too celebrate your child s curiosity as they

my encyclopedia of very important animals goodreads - Jul 11 2023

web kindle 7 99 rate this book my encyclopedia of very important animals d k publishing 4 44 34 ratings8 reviews a charming children s encyclopedia bursting with facts about the animals of the world the world is so much bigger than young minds can fathom and there is always more to learn

bab ii landasan teori 2 1 kecemasan 2 1 1 pengertian kecemasan - Mar 18 2022

web bab ii landasan teori 2 1 kecemasan diri individu dimana objek penyebab kecemasan itu tidak jelas sehingga menyebabkan individu merasa khawatir was was dan tidak tahu terhadap apa yang terjadi di masa yang akan datang orang yang merasa cemas dapat diketahui dengan melihat aspek fisiologis maupun psikologis yang timbul oleh rasa

bab ii tinjauan pustaka a kecemasan 1 pengertian kecemasan - Feb 26 2023

web bab ii tinjauan pustaka a kecemasan 1 pengertian kecemasan menurut ghufroon risnawita 2012 kecemasan merupakan pengalaman subjektif yang tidak mengenai kekhawatiran atau ketegangan berupa perasaan cemas tegang dan emosi yang dialami oleh seseorang kecemasan adalah suatu keadaan tertentu state anxiety

bab ii kajian teori a kerangka teoritis 1 kecemasan a pengertian - Mar 30 2023

web pengertian kecemasan kecemasan atau dalam bahasa inggrinya anxiety berasal dari bahasa latin angustus yang berarti kaku dan ango anxi yang berarti mencekik kecemasan adalah suatu keadaan aprehensi atau keadaan khawatir yang mengeluhkan bahwa akan segera terjadi 12 sesuatu

[bab ii tinjauan pustaka a konsep umum kecemasan](#) - May 20 2022

web bab ii tinjauan pustaka a konsep umum kecemasan 1 pengertian kecemasan atau dalam bahasa inggrisnya anxiety berasal dari bahasa latin angustus yang berarti kaku dan ango anxi yang berarti mencekik freud 1954 menyebutkan kecemasan merupakan perasaan subyektif yang dialami oleh individu hal ini disebabkan oleh

[bab ii kajian teori 1 pengertian kecemasan uny](#) - Sep 04 2023

web 1 pengertian kecemasan pada dasarnya kecemasan merupakan hal wajar yang pernah dialami oleh setiap manusia kecemasan sudah dianggap sebagai bagian dari kehidupan sehari-hari kecemasan adalah suatu perasaan yang sifatnya umum dimana seseorang merasa ketakutan atau kehilangan kepercayaan diri yang tidak jelas

[bab ii kajian teori a kajian kecemasan 1 pengertian kecemasan](#) - Aug 03 2023

web 1 pengertian kecemasan anxietas kecemasan adalah suatu keadaan aprehensi atau keadaan khawatir yang mengeluhkan bahwa sesuatu yang buruk akan segera terjadi nevid 2005 163 kecemasan menjadi abnormal bila tingkatnya tidak sesuai dengan proporsi ancaman atau bila sepertinya datang tanpa ada penyebabnya yaitu bila bukan

[bab ii landasan teori a kajian tentang kecemasan iain](#) - Jun 20 2022

web 1 pengertian kecemasan anxietas atau dalam bahasa inggris anxiety berasal dari bahasa latin angere yang berarti tercekik atau tercekak gangguan kecemasan adalah keadaan tegang yang berlebihan atau tidak pada tempatnya yang ditandai oleh perasaan khawatir cemas tidak menentu atau takut 1

[bab ii tinjauan pustaka a landasan teori 1 pengertian kecemasan](#) - Jul 22 2022

web bab ii tinjauan pustaka a landasan teori 1 pengertian kecemasan banyak pengertian kecemasan yang dikemukakan oleh berbagai ahli kesehatan antara lain kecemasan dapat didefinisikan suatu keadaan perasaan keprihatinan rasa gelisah ketidak-tentuan atau takut dari kenyataan atau persepsi ancaman sumber aktual yang tidak

[bab ii tinjauan teoritis a hakikat kecemasan anxiety](#) - Jan 28 2023

web bab ii tinjauan teoritis 1 pengertian kecemasan secara umum kecemasan adalah suatu keadaan psikologis dan fisiologis yang dicirikan oleh komponen komponen somatik emosi dan perilaku komponen gambar 2 2 perbedaan teori drive dan inverted u sumber setyobroto 1989 93 dari cox 1985

[bab ii kajian teori a kecemasan 1 pengertian kecemasan](#) - Apr 30 2023

web bab ii kajian teori a kecemasan 1 pengertian kecemasan menurut hawari 2004 cemas berasal dari bahasa latin anxius dan dalam bahasa jerman angst kemudian menjadi anxiety yang berarti kecemasan merupakan suatu kata yang dipakai oleh

freud untuk menggambarkan suatu efek negatif dan keterangsangan cemas sendiri

[bab ii tinjauan pustaka a konsep dasar kecemasan 1 definisi kecemasan](#) - Feb 14 2022

web bab ii tinjauan pustaka a konsep dasar kecemasan 1 definisi kecemasan pada dasarnya kecemasan adalah kondisi psikologis seseorang yang penuh dengan rasa takut dan khawatir dimana perasaan takut dan khawatir akan sesuatu hal yang belum pasti akan terjadi kecemasan berasal dari bahasa latin anxius

bab ii landasan teori a kecemasan 1 pengertian kecemasan - Dec 27 2022

web asosiasi psikiatri amerika american psychiatric association mendefinisikan kecemasan adalah takut tegang atau merasa gelisah yang berasal dari antisipasi bahaya sumber yang sebagian besar tidak dikenali 18 kecemasan dalam kamus besar bahasa indonesia yaitu rasa gelisah khawatir dan takut

[bab ii kajian pustaka a kajian teori institutional](#) - Oct 25 2022

web bab ii kajian pustaka a kajian teori 1 kecemasan pengertian kecemasan secara umum pengertian dari kecemasan adalah suatu keadaan psikologis dimana individu merasakan terus menerus mengalami perasaan khawatir yang ditimbulkan oleh adanya inner conflict sulaeman 1995

bab ii kajian teori a kecemasan 1 pengertian kecemasan - Jun 01 2023

web memberikan pengertian tentang kecemasan sebagai suatu keadaan emosional yang mempunyai ciri keterangsangan fisiologis perasaan tegang yang tidak menyenangkan dan kekhawatiran bahwa sesuatu yang buruk akan terjadi kecemasan adalah rasa khawatir takut yang tidak jelas sebabnya

bab ii kajian teori institutional repository of uin satu - Sep 23 2022

web bab ii kajian teori a kecemasan 1 pengertian kecemasan kecemasan adalah sesuatu yang menimpa hampir setiap orang pada waktu tertentu dalam kehidupannya kecemasan merupakan reaksi normal terhadap situasi

[bab ii kajian pustaka a kecemasan 1 pengertian kecemasan](#) - Jul 02 2023

web 1 pengertian kecemasan kecemasan anxiety dalam psikologi didefinisikan sebagai perasaan campuran berisikan ketakutan dan keprihatinan mengenai masa masa mendatang tanpa sebab khusus untuk ketakutan tersebut serta bersifat individual 1 nevid menjelaskan bahwa kecemasan adalah suatu keadaan emosional yang mempunyai

[bab ii kajian teori a kecemasan 1 pengertian kecemasan](#) - Oct 05 2023

web 1 pengertian kecemasan menurut barlow dan durand 2006 159 kecemasan adalah keadaan suasana hati yang ditandai oleh afek negatif dan gejala gejala ketegangan jasmaniah di mana seseorang mengantisipasi kemungkinan datangnya bahaya atau kemalangan di masa yang akan datang dengan perasaan khawatir kecemasan

bab ii kajian teoritik kerangka berfikir a kajian teoritik 1 - Apr 18 2022

web 1 kecemasan a pengertian kecemasan kata kecemasan atau anxiety berasal dari bahasa latin yaitu anxietas yang berarti

untuk menunjukkan suatu keadaan yang tidak tenang atau suatu kegelisahan hal itu dimaksudkan menggambarkan suatu respon yang untuk berhubungan dengan fisik

a kajian teori fenomena kecemasan a pengertian kecemasan - Aug 23 2022

web menurut sudut pandang evolusioner kecemasan merupakan efek dari proses berpikir dan merupakan efek yang muncul dari mekanisme tubuh untuk menanggulangi dari suatu bahaya yang akan muncul 8 dalam sudut pandang ini kecemasan muncul sebagai pertahanan pada suatu peristiwa yang dirasa akan membahayakan

bab ii 1 menghambat kesuksesan cemas berasal dari bahasa - Nov 25 2022

web menurut chaplin kecemasan adalah perasaan campuran berisikan ketakutan dan keprihatinan mengenai masa masa mendatang tanpa sebab khusus untuk ketakutan tersebut chaplin 2000 33 assosiasi psikiatri amerika american psychiatric association mendefinisikan kecemasan sebagai berikut anxiety is apprehension tension or