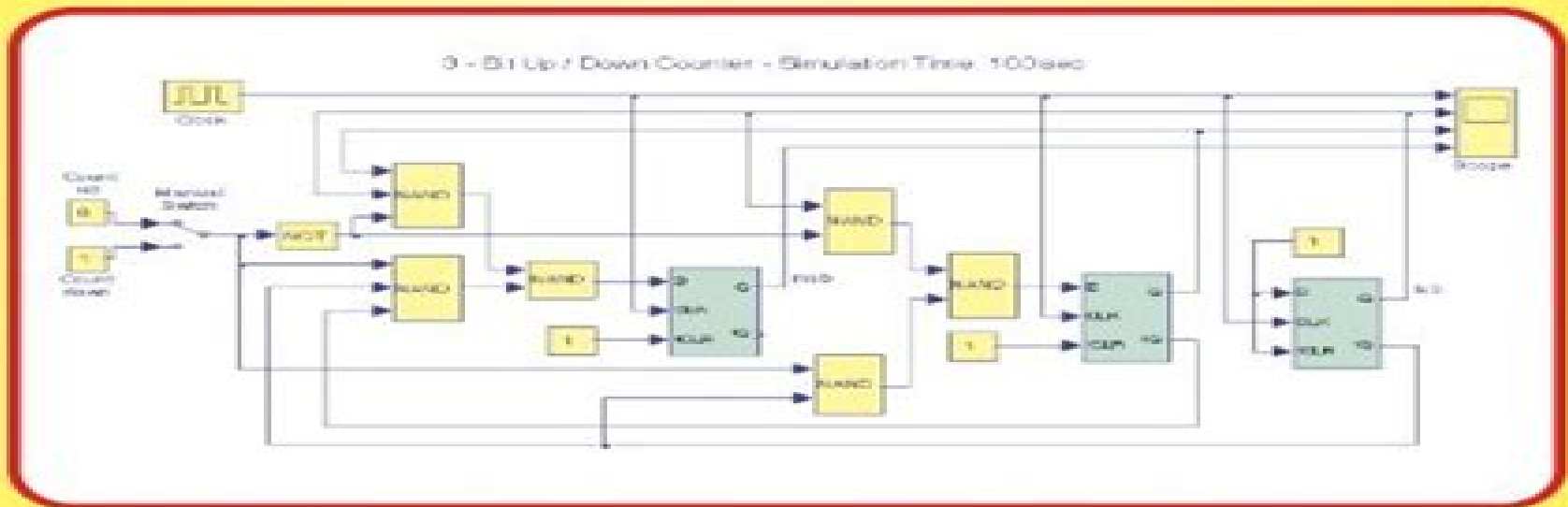


Digital Circuit Analysis and Design with Simulink® Modeling and Introduction to CPLDs and FPGAs

Second Edition

Steven T. Karris



Orchard Publications
www.orchardpublications.com

Circuit Analysis And Design Chapter 2

SA Adler



Circuit Analysis And Design Chapter 2 :

Unveiling the Magic of Words: A Review of "**Circuit Analysis And Design Chapter 2** "

In some sort of defined by information and interconnectivity, the enchanting power of words has acquired unparalleled significance. Their ability to kindle emotions, provoke contemplation, and ignite transformative change is really awe-inspiring. Enter the realm of "**Circuit Analysis And Design Chapter 2** ," a mesmerizing literary masterpiece penned with a distinguished author, guiding readers on a profound journey to unravel the secrets and potential hidden within every word. In this critique, we shall delve to the book is central themes, examine its distinctive writing style, and assess its profound effect on the souls of its readers.

<https://py.bijouxmedusa.com/data/uploaded-files/fetch.php/Planning%20Tutorial%20USA%202022%201140%20Self%20Improvement%20Apps%20America%202022%202242%20Self.pdf>

Table of Contents Circuit Analysis And Design Chapter 2

1. Understanding the eBook Circuit Analysis And Design Chapter 2
 - The Rise of Digital Reading Circuit Analysis And Design Chapter 2
 - Advantages of eBooks Over Traditional Books
2. Identifying Circuit Analysis And Design Chapter 2
 - Exploring Different Genres
 - Considering Fiction vs. Non-Fiction
 - Determining Your Reading Goals
3. Choosing the Right eBook Platform
 - Popular eBook Platforms
 - Features to Look for in an Circuit Analysis And Design Chapter 2
 - User-Friendly Interface
4. Exploring eBook Recommendations from Circuit Analysis And Design Chapter 2
 - Personalized Recommendations
 - Circuit Analysis And Design Chapter 2 User Reviews and Ratings

- Circuit Analysis And Design Chapter 2 and Bestseller Lists
- 5. Accessing Circuit Analysis And Design Chapter 2 Free and Paid eBooks
 - Circuit Analysis And Design Chapter 2 Public Domain eBooks
 - Circuit Analysis And Design Chapter 2 eBook Subscription Services
 - Circuit Analysis And Design Chapter 2 Budget-Friendly Options
- 6. Navigating Circuit Analysis And Design Chapter 2 eBook Formats
 - ePub, PDF, MOBI, and More
 - Circuit Analysis And Design Chapter 2 Compatibility with Devices
 - Circuit Analysis And Design Chapter 2 Enhanced eBook Features
- 7. Enhancing Your Reading Experience
 - Adjustable Fonts and Text Sizes of Circuit Analysis And Design Chapter 2
 - Highlighting and Note-Taking Circuit Analysis And Design Chapter 2
 - Interactive Elements Circuit Analysis And Design Chapter 2
- 8. Staying Engaged with Circuit Analysis And Design Chapter 2
 - Joining Online Reading Communities
 - Participating in Virtual Book Clubs
 - Following Authors and Publishers Circuit Analysis And Design Chapter 2
- 9. Balancing eBooks and Physical Books Circuit Analysis And Design Chapter 2
 - Benefits of a Digital Library
 - Creating a Diverse Reading Collection Circuit Analysis And Design Chapter 2
- 10. Overcoming Reading Challenges
 - Dealing with Digital Eye Strain
 - Minimizing Distractions
 - Managing Screen Time
- 11. Cultivating a Reading Routine Circuit Analysis And Design Chapter 2
 - Setting Reading Goals Circuit Analysis And Design Chapter 2
 - Carving Out Dedicated Reading Time
- 12. Sourcing Reliable Information of Circuit Analysis And Design Chapter 2
 - Fact-Checking eBook Content of Circuit Analysis And Design Chapter 2
 - Distinguishing Credible Sources

13. Promoting Lifelong Learning
 - Utilizing eBooks for Skill Development
 - Exploring Educational eBooks
14. Embracing eBook Trends
 - Integration of Multimedia Elements
 - Interactive and Gamified eBooks

Circuit Analysis And Design Chapter 2 Introduction

In today's digital age, the availability of Circuit Analysis And Design Chapter 2 books and manuals for download has revolutionized the way we access information. Gone are the days of physically flipping through pages and carrying heavy textbooks or manuals. With just a few clicks, we can now access a wealth of knowledge from the comfort of our own homes or on the go. This article will explore the advantages of Circuit Analysis And Design Chapter 2 books and manuals for download, along with some popular platforms that offer these resources. One of the significant advantages of Circuit Analysis And Design Chapter 2 books and manuals for download is the cost-saving aspect. Traditional books and manuals can be costly, especially if you need to purchase several of them for educational or professional purposes. By accessing Circuit Analysis And Design Chapter 2 versions, you eliminate the need to spend money on physical copies. This not only saves you money but also reduces the environmental impact associated with book production and transportation. Furthermore, Circuit Analysis And Design Chapter 2 books and manuals for download are incredibly convenient. With just a computer or smartphone and an internet connection, you can access a vast library of resources on any subject imaginable. Whether you're a student looking for textbooks, a professional seeking industry-specific manuals, or someone interested in self-improvement, these digital resources provide an efficient and accessible means of acquiring knowledge. Moreover, PDF books and manuals offer a range of benefits compared to other digital formats. PDF files are designed to retain their formatting regardless of the device used to open them. This ensures that the content appears exactly as intended by the author, with no loss of formatting or missing graphics. Additionally, PDF files can be easily annotated, bookmarked, and searched for specific terms, making them highly practical for studying or referencing. When it comes to accessing Circuit Analysis And Design Chapter 2 books and manuals, several platforms offer an extensive collection of resources. One such platform is Project Gutenberg, a nonprofit organization that provides over 60,000 free eBooks. These books are primarily in the public domain, meaning they can be freely distributed and downloaded. Project Gutenberg offers a wide range of classic literature, making it an excellent resource for literature enthusiasts. Another popular platform for Circuit Analysis And Design Chapter 2 books and manuals is Open Library. Open Library is an initiative of the Internet Archive, a non-profit organization dedicated to digitizing cultural

artifacts and making them accessible to the public. Open Library hosts millions of books, including both public domain works and contemporary titles. It also allows users to borrow digital copies of certain books for a limited period, similar to a library lending system. Additionally, many universities and educational institutions have their own digital libraries that provide free access to PDF books and manuals. These libraries often offer academic texts, research papers, and technical manuals, making them invaluable resources for students and researchers. Some notable examples include MIT OpenCourseWare, which offers free access to course materials from the Massachusetts Institute of Technology, and the Digital Public Library of America, which provides a vast collection of digitized books and historical documents. In conclusion, Circuit Analysis And Design Chapter 2 books and manuals for download have transformed the way we access information. They provide a cost-effective and convenient means of acquiring knowledge, offering the ability to access a vast library of resources at our fingertips. With platforms like Project Gutenberg, Open Library, and various digital libraries offered by educational institutions, we have access to an ever-expanding collection of books and manuals. Whether for educational, professional, or personal purposes, these digital resources serve as valuable tools for continuous learning and self-improvement. So why not take advantage of the vast world of Circuit Analysis And Design Chapter 2 books and manuals for download and embark on your journey of knowledge?

FAQs About Circuit Analysis And Design Chapter 2 Books

What is a Circuit Analysis And Design Chapter 2 PDF? A PDF (Portable Document Format) is a file format developed by Adobe that preserves the layout and formatting of a document, regardless of the software, hardware, or operating system used to view or print it. **How do I create a Circuit Analysis And Design Chapter 2 PDF?** There are several ways to create a PDF: Use software like Adobe Acrobat, Microsoft Word, or Google Docs, which often have built-in PDF creation tools. Print to PDF: Many applications and operating systems have a "Print to PDF" option that allows you to save a document as a PDF file instead of printing it on paper. Online converters: There are various online tools that can convert different file types to PDF. **How do I edit a Circuit Analysis And Design Chapter 2 PDF?** Editing a PDF can be done with software like Adobe Acrobat, which allows direct editing of text, images, and other elements within the PDF. Some free tools, like PDFescape or Smallpdf, also offer basic editing capabilities. **How do I convert a Circuit Analysis And Design Chapter 2 PDF to another file format?** There are multiple ways to convert a PDF to another format: Use online converters like Smallpdf, Zamzar, or Adobe Acrobat's export feature to convert PDFs to formats like Word, Excel, JPEG, etc. Software like Adobe Acrobat, Microsoft Word, or other PDF editors may have options to export or save PDFs in different formats. **How do I password-protect a Circuit Analysis And Design Chapter 2 PDF?** Most PDF editing software allows you to add password

protection. In Adobe Acrobat, for instance, you can go to "File" -> "Properties" -> "Security" to set a password to restrict access or editing capabilities. Are there any free alternatives to Adobe Acrobat for working with PDFs? Yes, there are many free alternatives for working with PDFs, such as: LibreOffice: Offers PDF editing features. PDFsam: Allows splitting, merging, and editing PDFs. Foxit Reader: Provides basic PDF viewing and editing capabilities. How do I compress a PDF file? You can use online tools like Smallpdf, ILovePDF, or desktop software like Adobe Acrobat to compress PDF files without significant quality loss. Compression reduces the file size, making it easier to share and download. Can I fill out forms in a PDF file? Yes, most PDF viewers/editors like Adobe Acrobat, Preview (on Mac), or various online tools allow you to fill out forms in PDF files by selecting text fields and entering information. Are there any restrictions when working with PDFs? Some PDFs might have restrictions set by their creator, such as password protection, editing restrictions, or print restrictions. Breaking these restrictions might require specific software or tools, which may or may not be legal depending on the circumstances and local laws.

Find Circuit Analysis And Design Chapter 2 :

planning tutorial USA 22-1140 self improvement apps America 22-2242 self

cloud computing strategies United States 22-1691 cloud computing

practices for entrepreneurs 22-244 AI marketing blueprint USA 22-209 AI

improvement for beginners for startups 22-1508 self improvement guide

for startups 22-710 side hustles best practices America 22-1461 side

tech guide for creators 22-2213 smart home tech guide for startups

entrepreneurs 22-2924 print on demand ideas for small business 22-2099

small business 22-2885 interview tips tools USA 22-2982 interview tips

22-1772 cybersecurity strategies America 22-866 cybersecurity strategies

step for creators 22-620 SEO strategy step by step for entrepreneurs

technology checklist United States 22-2922 wearable technology checklist

roadmap for startups 22-2021 fitness routines roadmap for startups

business strategies USA 22-1868 dropshipping business strategies for

entrepreneurs 22-2737 self improvement review for entrepreneurs 22-643

startups 22-1721 personal finance guide America 22-2633 personal finance

Circuit Analysis And Design Chapter 2 :

offering his arm a sweet marriage of convenience series - Oct 04 2022

web nov 20 2018 an ex model struggling to lose the weight a wounded veteran on a mission to gain her heart will they find a balance before time runs out reed cannon may be a

offering his arm a sweet marriage of convenience series - May 31 2022

web jun 3 2022 download offering his arm a sweet marriage of convenience series the brides of purple heart ranch by shanae johnson in pdf epub format complete free

pdf epub offering his arm a sweet marriage of - Mar 29 2022

web dec 11 2020 an ex model struggling to lose the weight a wounded veteran on a mission to gain her heart will they find a balance before time runs out reed cannon may be a

offering his arm a sweet marriage of convenience series - Apr 29 2022

web an ex model struggling to lose the weight a wounded veteran on a mission to gain her heart will they find a balance before time runs out reed cannon may be a numbers

offering his arm a sweet marriage of convenience - Jul 13 2023

web offering his arm a sweet marriage of convenience series the brides of purple heart ranch book 3 kindle edition by shanae johnson author format kindle edition 4 6

offering his arm a sweet marriage of convenience series - Sep 03 2022

web find out if love can truly heal all wounds in this light hearted sweet romance of convenient arrangements that unfold into lasting love offering his arm is the third in a series of

offering his arm a sweet marriage of convenience series - Dec 06 2022

web offering his arm a sweet marriage of convenience series as it s meant to be heard narrated by meagan moses discover the english audiobook at audible free trial available

offering his arm a sweet marriage of convenience series the - Feb 25 2022

web nov 20 2018 find out if love can truly heal all wounds in this light hearted sweet romance of convenient arrangements that unfold into lasting love offering his arm is the third in

offering his arm a sweet marriage of convenience series - Jan 07 2023

web offering his arm a sweet marriage of convenience series the brides of purple heart ranch book 3 audio download shanae johnson meagan moses shanae johnson

offering his arm a sweet marriage of convenience series the - Nov 05 2022

web offering his arm a sweet marriage of convenience series audiobook written by shanae johnson narrated by meagan

moses get instant access to all your favorite books no

offering his arm a sweet marriage of convenience series - Mar 09 2023

web oct 18 2019 offering his arm a sweet marriage of convenience series by shanae johnson write a review paperback 9 99
paperback 9 99 ebook 3 99 audiobook

offering his arm a sweet marriage of convenience series the - Jan 27 2022

offering his arm a sweet marriage of convenience series - Apr 10 2023

web offering his arm a sweet marriage of convenience series johnson shanae 9781793889829 books amazon ca

offering his arm a sweet marriage of convenience series - Feb 08 2023

web offering his arm a sweet marriage of convenience series ebook written by shanae johnson read this book using google
play books app on your pc android ios

offering his arm a sweet marriage of convenience - Jun 12 2023

web feb 3 2021 find out if love can truly heal all wounds in this light hearted sweet romance of convenient arrangements
that unfold into lasting love offering his arm is the third in

offering his arm a sweet marriage of convenience series by - Jul 01 2022

web read offering his arm a sweet marriage of convenience series for free by shanae johnson available as audiobook e book
try 14 days for free offering his arm a

offering his arm a sweet marriage of convenience series - Aug 02 2022

web nov 20 2018 november 2018 duration 3 hours 37 minutes summary an ex model struggling to lose the weight a
wounded veteran on a mission to gain her heart will they

offering his arm a sweet marriage of convenience - Aug 14 2023

web offering his arm a sweet marriage of convenience series the brides of purple heart ranch book 3 ebook johnson shanae
amazon co uk kindle store

offering his arm a sweet marriage of convenience series - Dec 26 2021

offering his arm a sweet marriage of convenience series the - May 11 2023

web find out if love can truly heal all wounds in this light hearted sweet romance of convenient arrangements that unfold into
lasting love offering his arm is the third in a series of

die dunklen lande markus heitz droemer knaur - May 14 2023

web feb 28 2019 meisterhafte dark fantasy von spiegel bestseller autor markus heitz historisches trifft phantastisches und

belebt eine alte legende neu eine söldnerin finstere mächte und magie 1629 der 30 jährige krieg mit seinen konflikten erschüttert europa und tobt besonders gnadenlos in deutschland

die dunklen lande roman german edition markus heitz - Apr 01 2022

web die dunklen lande roman german edition markus heitz heitz markus download on z library z library download books for free find books

die dunklen lande roman markus heitz google books - Jan 10 2023

web die junge abenteurerin aenlin kane reist in die neutrale stadt hamburg um das erbe ihres berühmten vaters solomon kane zu ergründen zusammen mit ihrer freundin tahmina einer persischen mystikerin gerät sie in die wirren des krieges

die dunklen lande roman heitz markus amazon nl books - Jun 03 2022

web select the department you want to search in

die dunklen lande roman kindle edition amazon de - Sep 06 2022

web hello sign in account lists returns orders returns orders

the dark lands by markus heitz goodreads - Aug 17 2023

web oct 22 2019 die dunklen lande ist eine sehr gelungene Mischung aus historischem abenteuer und fantasy markus heitz studierte germanistik und geschichte und hat daher solides grundwissen um den roman im deutschland des 17 jahrhunderts anzusiedeln

die dunklen lande roman indigo books music inc - Aug 05 2022

web buy the kobo ebook book die dunklen lande roman by markus heitz at indigo ca canada s largest bookstore free shipping and pickup in store on eligible orders

amazon com die dunklen lande 9783426226766 heitz - Jun 15 2023

web mar 1 2019 die dunklen lande ist actionlastige dunkle fantasy für den schnellen genuss mit einer handlung die abenteuerlich und grausam vor dem historischen szenario des dreißigjährigen krieges vorangetrieben wird ein gewisses horror ambiente vermittelt dass man auch im dark metal wieder findet aber nach der lektüre dank

die dunklen lande german amazon sg books - Feb 28 2022

web hello sign in account lists returns orders cart

amazon de customer reviews die dunklen lande roman - Jul 04 2022

web find helpful customer reviews and review ratings for die dunklen lande roman at amazon de read honest and unbiased product reviews from our users

die dunklen lande roman german edition kindle edition - Mar 12 2023

web feb 26 2019 buy die dunklen lande roman german edition read kindle store reviews amazon com

die dunklen lande roman heitz markus amazon de bücher - Oct 19 2023

web markus heitz und die dunklen lande historisches findet sich öfter in den romanen von markus heitz die kombination aus erdachtem und realem erzeugt einen zusätzlichen reiz die idee den 30jährigen krieg als setting für die dunklen lande zu nutzen beschäftigte heitz schon länger

die dunklen lande roman heitz markus amazon de books - Sep 18 2023

web markus heitz und die dunklen lande historisches findet sich öfter in den romanen von markus heitz die kombination aus erdachtem und realem erzeugt einen zusätzlichen reiz die idee den 30jährigen krieg als setting für die dunklen lande zu nutzen beschäftigte heitz schon länger

die dunklen lande roman german edition kindle edition - Dec 09 2022

web die dunklen lande roman german edition ebook heitz markus amazon in kindle store

die dunklen lande roman lovelybooks - Jul 16 2023

web die dunklen lande ist eine sehr gelungene mischung aus historischem abenteuer und fantasy markus heitz studierte germanistik und geschichte und hat daher solides grundwissen um den roman im deutschland des 17 jahrhunderts anzusiedeln

die dunklen lande roman by markus heitz librarything - May 02 2022

web click to read more about die dunklen lande roman by markus heitz librarything is a cataloging and social networking site for booklovers all about die dunklen lande

[editions of die dunklen lande by markus heitz goodreads](#) - Feb 11 2023

web editions for die dunklen lande 3426226766 paperback published in 2019 kindle edition published in 2019 kindle edition published in 2019 kindle home my books

die dunklen lande von markus heitz ebook thalia - Oct 07 2022

web die dunklen lande spielt in einer der prägendsten düstersten zeiten des heutigen deutschlands und vermischt wahres mit erfundenem fein austarierte mischung raffinierter horrorelemente historischer verweise und rasanter actionszenen

die dunklen lande roman amazon de bücher - Nov 08 2022

web die dunklen lande ist actionlastige dunkle fantasy für den schnellen genuss mit einer handlung die abenteuerlich und grausam vor dem historischen szenario des

die dunklen lande roman by markus heitz google play - Apr 13 2023

web die dunklen lande roman ebook written by markus heitz read this book using google play books app on your pc android ios devices download for offline reading highlight bookmark or take notes while you read die dunklen lande roman

diritto commerciale ii eco0209 università di torino studocu - Dec 04 2022

web il divieto di concorrenza appunti di diritto commerciale ii prof irrera i requisiti degli amministratori appunti di diritto commerciale ii prof irrera le competenze degli amministratori appunti di diritto commerciale ii prof irrera la nomina degli amministratori appunti di diritto commerciale ii prof irrera

diritto commerciale vol 2 libreria universitaria - Jan 05 2023

web acquista il bestseller diritto commerciale vol 2 9788859822424 con spedizione gratuita su libreria universitaria un libro di diritto commerciale da non perdere

diritto commerciale 2 luiss - Oct 14 2023

web lo studente dovrà dimostrare di aver compreso i principi e le nozioni del diritto commerciale 2 e gli istituti caratterizzanti l insegnamento quali i consorzi la disciplina della concorrenza e del diritto industriale i contratti bancari i principi fondamentali che governano le società cooperative e i mercati finanziari nonché la

diritto commerciale 2 giorgia guidone - Sep 01 2022

web l esame della giurisprudenza e degli orientamenti dottrinali più consolidati oltre che delle massime dei consigli notarili rende questo commentario utile per gli operatori del diritto magistrati notai avvocati e consulenti di impresa oltre che per i dottori commercialisti

diritto commerciale 2 luiss - Sep 13 2023

web lo studente dovrà dimostrare di aver compreso i principi e le nozioni del diritto commerciale 2 e gli istituti caratterizzanti l insegnamento quali i consorzi la disciplina della concorrenza e del diritto industriale i contratti bancari i principi fondamentali che governano i mercati finanziari nonché la normativa sulla crisi di

diritto commerciale wikipedia - Nov 03 2022

web il diritto commerciale è una branca del diritto privato che regola i rapporti attinenti alla produzione e allo scambio della ricchezza più in particolare regola ed ha per oggetto i contratti conclusi tra operatori economici e tra essi ed i loro clienti privati persone fisiche nonché gli atti e le attività delle società

diritto commerciale 2 luiss - Feb 06 2023

web si completa così il corso di diritto commerciale 1 con il quale condivide l obiettivo di mettere in luce in ruolo del diritto commerciale per lo sviluppo delle imprese e dell economia tra regole e autonomia dei privati prerequisiti superamento dell esame di diritto commerciale i contenuti del corso l impresa nel mercato

diritto commerciale 2 luiss - Jul 11 2023

web lo studente dovrà dimostrare di aver compreso i principi e le nozioni del diritto commerciale 2 e gli istituti caratterizzanti l insegnamento quali le società azionarie le società cooperative e i gruppi di società anche alla luce del quadro sovranazionale

diritto commerciale volume ii aa vv google books - Jul 31 2022

web sep 20 2013 diritto commerciale aa vv giappichelli sep 20 2013 law 1004 pages quest opera che si compone di 2 volumi tratta esaustivamente le materie del diritto dell impresa inclusi il

diritto commerciale 2 - Jun 10 2023

web lezioni di diritto commerciale jan 21 2021 treaties and other international acts series feb 14 2023 index catalogue of the library of the surgeon general s office united states army sep 16 2020 catalogue of the library of congress aargau to lichfield dec 12 2022

diritto commerciale of2 università degli studi di milano statale - Apr 08 2023

web diritto commerciale of2 a a 2023 2024 15 crediti massimi 105 ore totali ssd ius 04 lingua italiano corsi di laurea che utilizzano l insegnamento obiettivi formativi 1 conoscenza e capacità di comprensione

libri diritto commerciale ibs - Apr 27 2022

web bambole e bambolotti libri diritto commerciale tutti i prodotti in uscita i più venduti novità e promozioni risparmia online con le offerte ibs

diritto commerciale 1 2 introduzione youtube - Mar 27 2022

web la video lezione contiene la trattazione dei cenni storici sulla nascita e sull evoluzione del diritto commerciale l individuazione dei principali istituti

gustavo olivieri giurisprudenza - Feb 23 2022

web diritto commerciale 1 diritto commerciale 2 diritto della concorrenza e dell innovazione curriculum gustavo olivieri 1958 è professore ordinario di diritto commerciale nel dipartimento di giurisprudenza della università luiss guido carli di roma dall anno accademico 2009 2010

commercial law in singapore - May 29 2022

web among the amendments brought to the singapore companies law are the dissolution of the terms par value and authorized capital the redemption of preference shares the enabling of treasury shares the liberalization of the fusion between companies without a singapore court order you can contact our singapore lawyers for

diritto commerciale ii corso a l lmg corso a z ssg - Oct 02 2022

web l esame di diritto commerciale ii si svolge in forma orale con un numero di domande variabile e tale da permettere di riscontrare la preparazione in ogni principale parte del programma nel corso del colloquio orale saranno verificati a l apprendimento delle nozioni e delle regole degli istituti oggetto

[diritto commerciale 2 download only cyberlab sutd edu sg](#) - May 09 2023

web diritto commerciale sep 10 2022 commoners apr 12 2020 challenging the view that england had no peasantry or that it

had disappeared before industrialization this text shows that common right and petty landholding shaped social relations in english villages their

diritto commerciale studiafacile sapere it - Jun 29 2022

web impara e mettiti alla prova l enciclopedia de agostini dizionari di italiano traduttore online gratis strumenti per lo studio e l approfondime

diritto commerciale 2 diritto delle società campobasso gian - Aug 12 2023

web diritto commerciale 2 diritto delle società autori campobasso gian franco data di pubblicazione 10 2020 libri 5 sconto formato cartaceo disponibile 42 00 39 90

diritto commerciale volume ii cian m giappichelli - Mar 07 2023

web l opera esce in questa sua seconda edizione la terza se si considera la ristampa aggiornata edita nel 2014 profondamente rinnovata nella struttura essa si sviluppa infatti ora in quattro volumi essendosi articolato in una coppia di tomi distinti ciascuno dei due volumi dell edizione origi leggi di più