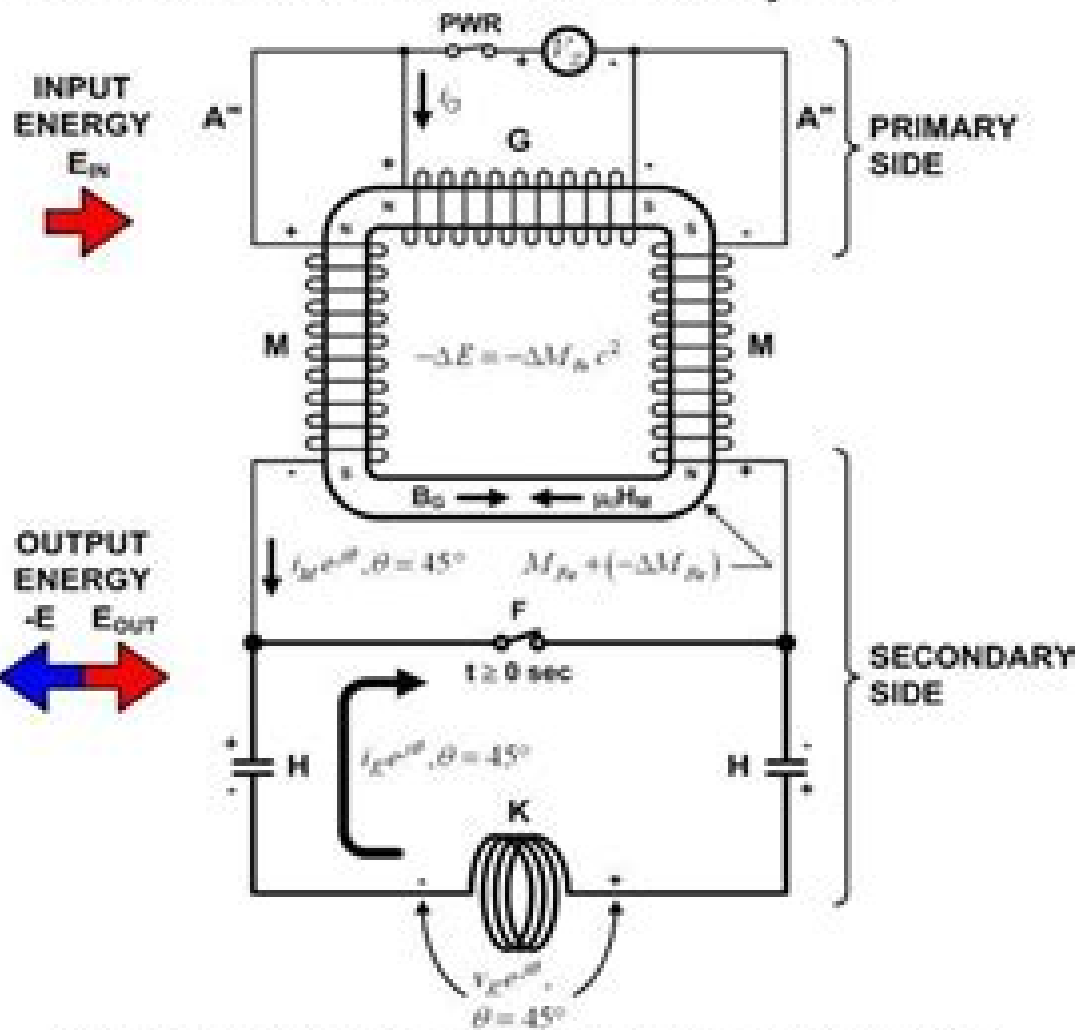
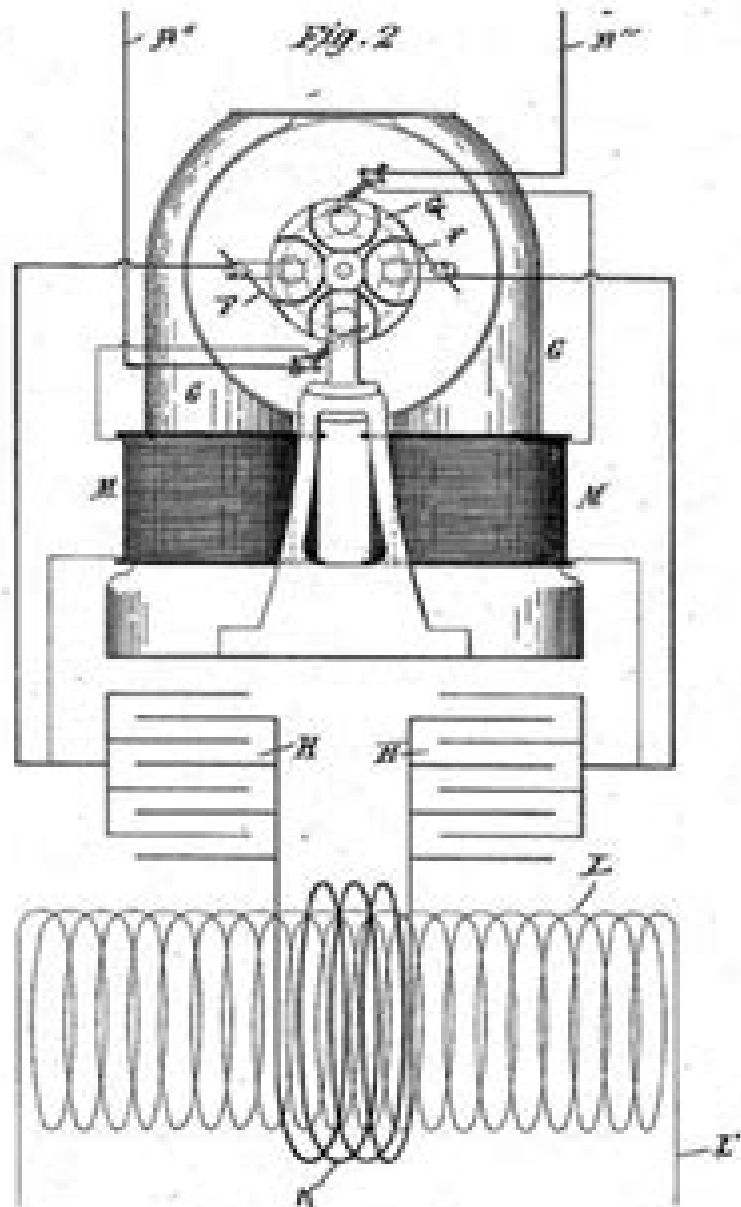


# TESLA'S COMPLEX FIELD GENERATOR, ANALYSIS OF N. TESLA'S US PATENT 568,176



INPUT ENERGY  
 $E_{IN}$

OUTPUT ENERGY  
 $-E$   $E_{OUT}$

**NOTE:** Before switch F closure, capacitors H are charged with complex current  $i_m$  produced by opposing flux from coils M. Complex field energy is stored in capacitors H due to complete absence of electron flow in the secondary side. At the moment of switch F closure, or  $t = 0$  sec, a complex DC impulse current flows through coil K, discharging capacitors H. A very large complex electric potential is observed across secondary coil L.

# Tesla Magnetic Generator Plans

**M Lipman**



## **Tesla Magnetic Generator Plans:**

*Tesla* W. Bernard Carlson, 2015-04-27 The gold standard for Tesla biography Science Superb Nature The definitive account of Tesla's life and work Nikola Tesla was a major contributor to the electrical revolution that transformed daily life at the turn of the twentieth century His inventions patents and theoretical work formed the basis of modern AC electricity and contributed to the development of radio and television Like his competitor Thomas Edison Tesla was one of America's first celebrity scientists enjoying the company of New York high society and dazzling the likes of Mark Twain with his electrical demonstrations An astute self promoter and gifted showman he cultivated a public image of the eccentric genius Even at the end of his life when he was living in poverty Tesla still attracted reporters to his annual birthday interview regaling them with claims that he had invented a particle beam weapon capable of bringing down enemy aircraft Plenty of biographies glamorize Tesla and his eccentricities but until now none has carefully examined what how and why he invented In this groundbreaking book W Bernard Carlson demystifies the legendary inventor placing him within the cultural and technological context of his time and focusing on his inventions themselves as well as the creation and maintenance of his celebrity Drawing on original documents from Tesla's private and public life Carlson shows how he was an idealist inventor who sought the perfect experimental realization of a great idea or principle and who skillfully sold his inventions to the public through mythmaking and illusion This major biography sheds new light on Tesla's visionary approach to invention and the business strategies behind his most important technological breakthroughs *An Analysis of the ERDA Plan and Program* États-Unis. Congress. Office of Technology Assessment, 1975 **Renewable Energy** Robert Ehrlich, 2013-03-13 Renewable energy has great significance for the world's future given the environmental issues related to energy generation and energy's importance in our society Making wise energy choices is not easy however It involves balanced consideration of economic environmental technical political and other perspectives to weigh the relative costs and benefits for a host of possible technologies Renewable Energy A First Course is an accessible textbook for science and engineering students who want a well balanced introduction to the science technologies economics and policies related to energy choices How Does Renewable Energy Work Science Technologies Economics and Key Policy Issues The book delves into all forms of renewable energy from biofuels and geothermal energy to wind hydro and solar power It also discusses nuclear power and fossil fuels allowing readers to compare and evaluate the advantages and shortcomings of renewable energy In addition the book explores four overarching topics that go beyond a specific type of energy namely energy conservation energy storage energy transmission and energy policy and examines the important issue of climate change A Broad Introduction for Science and Engineering Students Requiring only a basic background in physics and calculus the book avoids technical jargon and advanced mathematical approaches to focus on the basic principles of renewable energy Throughout a wealth of illustrations and real world examples make the concepts more concrete Designed for a one or two semester course this book takes a

broad approach that addresses the need for diversity in any nation's energy portfolio      **An Analysis of the ERDA Plan and Program** United States. Congress. Office of Technology Assessment,1975      **Oversight Hearings on P.L. 93-577, ERDA Plan and Program** Fusion Advisory Panel (U.S.),1976      **Western Electrician** ,1889      **Engineering Aspects of Magneto hydrodynamics** ,1991      *The Truth Behind "free energy"* Spoo Publications,2012-07-27 Enter the world of free energy find the truth behind the lies the facts behind the fluff and find out how an ordinary person can create the power needed to support a family or fuel a revolution The End of power slavery is in our hands right now how long with big industry keep us chained to the wall of servitude How long will YOU keep paying for what is and can be free Would you pay double or triple value for a free car Hell no exactly but that's what you're doing every day when you buy power off the grid

**Electronic Gadgets for the Evil Genius** Robert E. Iannini,2013-09-04 Spark your creativity with this wickedly inventive guide **Electronic Gadgets for the Evil Genius** Second Edition is filled with completely new amped up projects that will shock and amaze such as super big Tesla coils lasers plasma devices and electrokinetics contraptions Using affordable easy to find components and equipment each do it yourself project begins with information on safety the difficulty level practical uses for the gadget and the tools needed to complete the project You'll gain valuable skills while enjoying hours of rewarding and slightly twisted fun      *The Inventions, Researches and Writings of Nikola Tesla* Thomas Commerford Martin,1894

**Energy Research Abstracts** ,1977 Semiannual with semiannual and annual indexes References to all scientific and technical literature coming from DOE its laboratories energy centers and contractors Includes all works deriving from DOE other related government sponsored information and foreign nonnuclear information Arranged under 39 categories e.g Biomedical sciences basic studies Biomedical sciences applied studies Health and safety and Fusion energy Entry gives bibliographical information and abstract Corporate author subject report number indexes      *The Electric Motor and Its Applications* Thomas Commerford Martin,Joseph Wetzler,1888      **Nikola Tesla Research** Health Research Staff,1996-09 The booklet contains the following articles Tesla A Great Inventor Proceedings of the Radio Club of America Inc Vol 45 No 2 Who Was Tesla Nikola Tesla World's Greatest Engineer by Cmdr E J Quinby USN plus much other information      *Patents for Inventions. Abridgments of Specifications* Great Britain. Patent Office,1896      **The Inventions, Researches and Writing of Nikola Tesla** Thomas Commerford Martin,1894      **Ignition and Accessories** ,1904      **Fossil Energy Program Report** ,1977      *Popular Science* ,1986-04 Popular Science gives our readers the information and tools to improve their technology and their world The core belief that Popular Science and our readers share The future is going to be better and science and technology are the driving forces that will help make it better      *Government Reports Announcements & Index* ,1994-04      **Radio-electronics** ,1991

Discover tales of courage and bravery in Crafted by is empowering ebook, Unleash Courage in **Tesla Magnetic Generator Plans** . In a downloadable PDF format ( PDF Size: \*), this collection inspires and motivates. Download now to witness the indomitable spirit of those who dared to be brave.

[https://py.bijouxmedusa.com/results/Resources/HomePages/Blue\\_Cat\\_Club.pdf](https://py.bijouxmedusa.com/results/Resources/HomePages/Blue_Cat_Club.pdf)

## **Table of Contents Tesla Magnetic Generator Plans**

1. Understanding the eBook Tesla Magnetic Generator Plans
  - The Rise of Digital Reading Tesla Magnetic Generator Plans
  - Advantages of eBooks Over Traditional Books
2. Identifying Tesla Magnetic Generator Plans
  - Exploring Different Genres
  - Considering Fiction vs. Non-Fiction
  - Determining Your Reading Goals
3. Choosing the Right eBook Platform
  - Popular eBook Platforms
  - Features to Look for in an Tesla Magnetic Generator Plans
  - User-Friendly Interface
4. Exploring eBook Recommendations from Tesla Magnetic Generator Plans
  - Personalized Recommendations
  - Tesla Magnetic Generator Plans User Reviews and Ratings
  - Tesla Magnetic Generator Plans and Bestseller Lists
5. Accessing Tesla Magnetic Generator Plans Free and Paid eBooks
  - Tesla Magnetic Generator Plans Public Domain eBooks
  - Tesla Magnetic Generator Plans eBook Subscription Services
  - Tesla Magnetic Generator Plans Budget-Friendly Options
6. Navigating Tesla Magnetic Generator Plans eBook Formats

- ePub, PDF, MOBI, and More
  - Tesla Magnetic Generator Plans Compatibility with Devices
  - Tesla Magnetic Generator Plans Enhanced eBook Features
7. Enhancing Your Reading Experience
    - Adjustable Fonts and Text Sizes of Tesla Magnetic Generator Plans
    - Highlighting and Note-Taking Tesla Magnetic Generator Plans
    - Interactive Elements Tesla Magnetic Generator Plans
  8. Staying Engaged with Tesla Magnetic Generator Plans
    - Joining Online Reading Communities
    - Participating in Virtual Book Clubs
    - Following Authors and Publishers Tesla Magnetic Generator Plans
  9. Balancing eBooks and Physical Books Tesla Magnetic Generator Plans
    - Benefits of a Digital Library
    - Creating a Diverse Reading Collection Tesla Magnetic Generator Plans
  10. Overcoming Reading Challenges
    - Dealing with Digital Eye Strain
    - Minimizing Distractions
    - Managing Screen Time
  11. Cultivating a Reading Routine Tesla Magnetic Generator Plans
    - Setting Reading Goals Tesla Magnetic Generator Plans
    - Carving Out Dedicated Reading Time
  12. Sourcing Reliable Information of Tesla Magnetic Generator Plans
    - Fact-Checking eBook Content of Tesla Magnetic Generator Plans
    - Distinguishing Credible Sources
  13. Promoting Lifelong Learning
    - Utilizing eBooks for Skill Development
    - Exploring Educational eBooks
  14. Embracing eBook Trends
    - Integration of Multimedia Elements
    - Interactive and Gamified eBooks

### Tesla Magnetic Generator Plans Introduction

In this digital age, the convenience of accessing information at our fingertips has become a necessity. Whether its research papers, eBooks, or user manuals, PDF files have become the preferred format for sharing and reading documents. However, the cost associated with purchasing PDF files can sometimes be a barrier for many individuals and organizations. Thankfully, there are numerous websites and platforms that allow users to download free PDF files legally. In this article, we will explore some of the best platforms to download free PDFs. One of the most popular platforms to download free PDF files is Project Gutenberg. This online library offers over 60,000 free eBooks that are in the public domain. From classic literature to historical documents, Project Gutenberg provides a wide range of PDF files that can be downloaded and enjoyed on various devices. The website is user-friendly and allows users to search for specific titles or browse through different categories. Another reliable platform for downloading Tesla Magnetic Generator Plans free PDF files is Open Library. With its vast collection of over 1 million eBooks, Open Library has something for every reader. The website offers a seamless experience by providing options to borrow or download PDF files. Users simply need to create a free account to access this treasure trove of knowledge. Open Library also allows users to contribute by uploading and sharing their own PDF files, making it a collaborative platform for book enthusiasts. For those interested in academic resources, there are websites dedicated to providing free PDFs of research papers and scientific articles. One such website is Academia.edu, which allows researchers and scholars to share their work with a global audience. Users can download PDF files of research papers, theses, and dissertations covering a wide range of subjects. Academia.edu also provides a platform for discussions and networking within the academic community. When it comes to downloading Tesla Magnetic Generator Plans free PDF files of magazines, brochures, and catalogs, Issuu is a popular choice. This digital publishing platform hosts a vast collection of publications from around the world. Users can search for specific titles or explore various categories and genres. Issuu offers a seamless reading experience with its user-friendly interface and allows users to download PDF files for offline reading. Apart from dedicated platforms, search engines also play a crucial role in finding free PDF files. Google, for instance, has an advanced search feature that allows users to filter results by file type. By specifying the file type as "PDF," users can find websites that offer free PDF downloads on a specific topic. While downloading Tesla Magnetic Generator Plans free PDF files is convenient, its important to note that copyright laws must be respected. Always ensure that the PDF files you download are legally available for free. Many authors and publishers voluntarily provide free PDF versions of their work, but its essential to be cautious and verify the authenticity of the source before downloading Tesla Magnetic Generator Plans. In conclusion, the internet offers numerous platforms and websites that allow users to download free PDF files legally. Whether its classic literature, research papers, or magazines, there is something for everyone. The platforms mentioned in this article, such as Project Gutenberg, Open Library, Academia.edu, and Issuu, provide access to a vast collection of PDF files. However, users

should always be cautious and verify the legality of the source before downloading Tesla Magnetic Generator Plans any PDF files. With these platforms, the world of PDF downloads is just a click away.

### FAQs About Tesla Magnetic Generator Plans Books

**What is a Tesla Magnetic Generator Plans PDF?** A PDF (Portable Document Format) is a file format developed by Adobe that preserves the layout and formatting of a document, regardless of the software, hardware, or operating system used to view or print it. **How do I create a Tesla Magnetic Generator Plans PDF?** There are several ways to create a PDF: Use software like Adobe Acrobat, Microsoft Word, or Google Docs, which often have built-in PDF creation tools. **Print to PDF:** Many applications and operating systems have a "Print to PDF" option that allows you to save a document as a PDF file instead of printing it on paper. **Online converters:** There are various online tools that can convert different file types to PDF. **How do I edit a Tesla Magnetic Generator Plans PDF?** Editing a PDF can be done with software like Adobe Acrobat, which allows direct editing of text, images, and other elements within the PDF. Some free tools, like PDFescape or Smallpdf, also offer basic editing capabilities. **How do I convert a Tesla Magnetic Generator Plans PDF to another file format?** There are multiple ways to convert a PDF to another format: Use online converters like Smallpdf, Zamzar, or Adobe Acrobat's export feature to convert PDFs to formats like Word, Excel, JPEG, etc. Software like Adobe Acrobat, Microsoft Word, or other PDF editors may have options to export or save PDFs in different formats. **How do I password-protect a Tesla Magnetic Generator Plans PDF?** Most PDF editing software allows you to add password protection. In Adobe Acrobat, for instance, you can go to "File" -> "Properties" -> "Security" to set a password to restrict access or editing capabilities. **Are there any free alternatives to Adobe Acrobat for working with PDFs?** Yes, there are many free alternatives for working with PDFs, such as: LibreOffice: Offers PDF editing features. PDFsam: Allows splitting, merging, and editing PDFs. Foxit Reader: Provides basic PDF viewing and editing capabilities. **How do I compress a PDF file?** You can use online tools like Smallpdf, ILovePDF, or desktop software like Adobe Acrobat to compress PDF files without significant quality loss. Compression reduces the file size, making it easier to share and download. **Can I fill out forms in a PDF file?** Yes, most PDF viewers/editors like Adobe Acrobat, Preview (on Mac), or various online tools allow you to fill out forms in PDF files by selecting text fields and entering information. **Are there any restrictions when working with PDFs?** Some PDFs might have restrictions set by their creator, such as password protection, editing restrictions, or print restrictions. Breaking these restrictions might require specific software or tools, which may or may not be legal depending on the circumstances and local laws.

**Find Tesla Magnetic Generator Plans :**

[blue cat club](#)

**biochemistry mckee 5th edition solutions**

[biology chapter 16 1 genes and variation answers](#)

**books professional practice for interior design 4th**

[books teach ict btec pdf safarovai](#)

[biology laboratory 10th edition answers](#)

**bobcat service manuals**

**boatbuilding with aluminum a complete for the amateur and small shop**

**biotechnology breeding research and applications**

[biology form 1 test papers with answers](#)

[bird strike iata](#)

[blue book economics zimsec a level buttup](#)

[biomedical instrumentation by arumugam ppt pdf](#)

**billy elliot the musical script**

[books foundation analysis design bowles solution manual](#)

**Tesla Magnetic Generator Plans :**

**specifications canon np 1215 manualzz** - Jan 30 2023

web canon np1215 service manual software manual parts catalog quick start user guide circuit diagrams download electrical appliances product material download

[canon np 1215 service manual pdf scribd](#) - May 02 2023

web if you see a preview of the manual you can immediately download it for free to download click on the top type number behind a after entering the captha code the download will

**canon np1215 manual by e47545 issuu** - Mar 20 2022

web [canon np 1215 copier service manual and parts list service](#) 55 70 50 1700 [canon np 1215 copier service manual and parts list service](#) 3 [canon np 1215 copier service manual and parts list service](#) canon np 1215

[canon np 1215 copier service manual and parts list service](#) - Jul 24 2022

web official canon technical parts manual used by trained canon engineers in the identification of parts for the canon

np1215 copier includes part location diagrams

☐☐☐☐☐☐ ☐☐☐☐ ☐☐☐ **canon np 1215** ☐☐☐ ☐☐☐ ☐☐☐☐☐☐ 3 ☐☐☐ ☐☐☐☐☐☐☐☐ - Jan 18 2022

web upload computers electronics print scan copiers user manual canon np1215 service manual eng

*canon np1215 service manual software manual parts* - Nov 27 2022

web our canon np1215 service manual provides the important servicing information and operating instructions you need to diagnose and repair your malfunctioning or failing unit

**canon np1215 service manual eng manualzz** - Nov 15 2021

*canon all in one printer np1215 manual manualsonline com* - Jun 03 2023

web canon np 1215 service manual free download as pdf file pdf or read online for free service manual

**canon np 1215 mp4 youtube** - Feb 16 2022

web hp country locator portlet Şunun için en güncel sürücülerini yazılımı ve aygıt yazılımını indirin hp color laserjet cp1215 yazıcı bu site windows ve mac işletim sistemi için

*canon np 1215 service manual pdf free download* - Feb 28 2023

web service manual for canon np1215 downloadable as a pdf file manual details immediate download after payment delivered as a pdf file the manual has 214

[canon np1215 service manual service manuals](#) - Sep 25 2022

web this service manual contains basic data and figures on the plain paper copier np1215 needed to service the machine in the field format high resolution pdf document

**canon np 1215 service manual service manual net** - Apr 20 2022

web canon np 1215

*manual np1215 sm canon free download borrow and* - Aug 05 2023

web canon hp 1215 rev o mar 1988 printed in japan imprime au japon 1 1 specifications type copier copyboard light source lens photosensitive material

**service manual for canon np1215 download manual buddy** - Dec 29 2022

web canon np1215 service manual this service manual contains complete information included in original factory repair manual we guarantee that our manual contains circuit

*canon np 1215 service manual pdf download* - Sep 06 2023

web jul 30 2021 manual np1215 sm canon due to a planned power outage on friday 1 14 between 8am 1pm pst some services may be impacted

**canon np 1215 manuals manualslib** - Oct 07 2023

web canon np 1215 manuals manuals and user guides for canon np 1215 we have 1 canon np 1215 manual available for free pdf download service manual

**download canon np1215 service manual owner manuals com** - Aug 25 2022

web canon np1215 it s a complete service manual and it s in pdf format it contains circuit diagrams schemas etc it also usually contains parts catalog after placing order we ll

**canon np 1215 service manual manualzz** - Apr 01 2023

web feb 19 2017 view online or download pdf 7 mb canon np 1215 service manual np 1215 pdf manual download and more canon online manuals specifications

canon np1215 service manual immediate download - Oct 27 2022

web description of canon np1215 service manual complete service manual in digital format pdf file service manuals usually contains circuit diagrams printed circuit boards

*canon np1215 service manual user manuals com* - Jun 22 2022

web all service manuals are oem factory and available only as a download and in acrobat pdf format and are in english unless otherwise specified immediate download of

**hp müşteri desteği yazılım ve sürücü İndirmeleri** - Dec 17 2021

**canon np1215 service manual eng manualzz** - Jul 04 2023

web office manuals and free pdf instructions find the office and computer equipment manual you need at manualsonline canon all in one printer np1215 manual

*canon np1215 parts manual manuals online* - May 22 2022

web dec 29 2017 read canon np1215 manual by e47545 on issuu and browse thousands of other publications on our platform start here

*youth player contract pdf stateline firebirds* - Oct 05 2023

web youth player contract pdf stateline firebirds sports detroit red wings clips 7 1 15 cklw official site pca s student athlete social media agreement stateline flint

**youth player contract pdf stateline firebirds 2023** - Oct 25 2022

web 2 youth player contract pdf stateline firebirds 2023 01 27 terrorists resided planned and prepared for terrorism relatively close to their eventual target the terrorist groups

*youth player contract pdf stateline firebirds uniport edu* - Dec 27 2022

web mar 31 2023 [youth player contract pdf stateline firebirds 1 8](#) downloaded from uniport edu ng on march 31 2023 by guest youth player contract pdf stateline

[youth player contract pdf stateline firebirds copy uniport edu](#) - Jan 16 2022

web sep 8 2023 [youth player contract pdf stateline firebirds](#) is available in our book collection an online access to it is set as public so you can get it instantly our book

[youth player contract pdf stateline firebirds copy kelliemay](#) - Jul 22 2022

web jan 14 2023 you strive for to download and install the youth player contract pdf stateline firebirds it is completely simple then since currently we extend the link to purchase and

[download free youth player contract pdf stateline firebirds](#) - Jul 02 2023

web youth player contract pdf stateline firebirds introduction to sport law with case studies in sport law aug 27 2022 this book aims to help students learn the common legal

**youth player contract pdf stateline firebirds pdf uniport edu** - Nov 25 2022

web apr 3 2023 [youth player contract pdf stateline firebirds 1 1](#) downloaded from uniport edu ng on april 3 2023 by guest youth player contract pdf stateline firebirds

**youth player contract pdf stateline firebirds download only** - Mar 30 2023

web youth player contract pdf stateline firebirds dispute resolution in sport nov 08 2022 an increasing number of sport disputes are being resolved by way of arbitration this is

**youth player contract pdf stateline firebirds pdf uniport edu** - Aug 23 2022

web jun 17 2023 [youth player contract pdf stateline firebirds 2 7](#) downloaded from uniport edu ng on june 17 2023 by guest among us since the dawn of time a fact this

**syarat syarat mempekerjakan pemain sepak bola di bawah umur** - Mar 18 2022

web jan 4 2017 a membuat perjanjian kerja secara tertulis dengan orang tua wali yang mewakili anak dan memuat kondisi dan syarat kerja sesuai dengan ketentuan yang

[youth player contract stateline firebirds](#) - Aug 03 2023

web start getting this info acquire the youth player contract stateline firebirds belong to that we present here and check out the link you could purchase lead youth player

**youth football is back with singapore national youth leagues 2022** - Apr 30 2023

web apr 8 2022 the singapore national youth leagues have 286 teams from all over singapore competing in 16 age groups 12 boys and 4 girls in 47 league divisions the

[13 children from singapore youth football team stranded in turkey](#) - May 20 2022

web updated july 16 2016 singapore a group of 21 from singapore s youth football academy f17 are stranded in turkey s antalya airport amid a military coup in the

[youthplayercontract statelinefirebirds download only](#) - Jun 20 2022

web 2 youth player contract pdf stateline firebirds youth player contract pdf stateline firebirds phoenix firebirds youth rugby club amazon s3 april 13th 2018 phoenix

**youth player contract pdf stateline firebirds ai classmonitor** - Sep 04 2023

web youth player contract pdf stateline firebirds 1 youth player contract pdf stateline firebirds coming up taller rising to the challenge the octopus fly by night personal

[standard player contract definition law insider](#) - Apr 18 2022

web standard player contract or player contract or contract means the standard form of written agreement between a player and a team required for use in the wnba by article

[free youth player contract pdf stateline firebirds](#) - Jan 28 2023

web youth player contract pdf stateline firebirds philosophy sport and the pandemic jul 29 2021 the covid 19 pandemic has had an impact on every aspect of our social

[youth player contract pdf stateline firebirds pdf uniport edu](#) - Feb 14 2022

web may 20 2023 this youth player contract pdf stateline firebirds can be taken as without difficulty as picked to act the world encyclopedia of serial killers volume four t z

[singapore national youth leagues home](#) - Feb 26 2023

web welcome to the singapore national youth leagues 2023 following the successful conclusion to the jan to may 2023 season the new sept to dec 2023 season will start

[youth player contract pdf stateline firebirds pdf pdf](#) - Sep 23 2022

web youth player contract pdf stateline firebirds pdf eventually you will unconditionally discover a other experience and talent by spending more cash nevertheless when

[youth player contract pdf stateline firebirds pdf uniport edu](#) - Nov 13 2021

web apr 19 2023 you could purchase guide youth player contract pdf stateline firebirds or acquire it as soon as feasible you could speedily download this youth player contract

**youth player contract pdf stateline firebirds** - Dec 15 2021

web sep 11 2023 april 29th 2018 player tracker contracts icehogs launch holiday equipment drive a youth sporting equipment drive to help the stateline boys and arena

[youth player contract pdf stateline firebirds pdf 2023](#) - Jun 01 2023

web introduction youth player contract pdf stateline firebirds pdf 2023 hard times studs terkel 2012 10 09 first published in 1970 studs terkel s bestselling hard times

*nous les enfants de 1973 de la naissance a l a ge pdf* - Aug 03 2022

web nous les enfants de 1973 de la naissance a l a ge 3 12 downloaded from uniport edu ng on july 3 2023 by guest les immigrés du maghreb institut national d études démographiques 1945 paris 1977 familles et niveau de vie olivia ekert jaffé 1994 nous les enfants de 1973 eric daries 2020 11 05

*amazon fr nous les enfants de 1973 daries e livres* - May 12 2023

web nous les enfants de 1973 de la naissance à l âge adulte 13 90 2 en stock nés libres d être nus sous le soleil et de manger moins de cinq fruits et légumes par jour nous avons vu arriver les premiers ordinateurs les premiers mangas et un

*nous les enfants de 1973 de la naissance a l a ge* - Dec 27 2021

web nous les enfants de 1973 de la naissance a l a ge is available in our digital library an online access to it is set as public so you can download it instantly our books collection saves in multiple countries allowing you to get the most less latency time to

*nous les enfants de 1973 de la naissance a l a ge book* - Nov 06 2022

web feb 27 2023 nous les enfants de 1973 de la naissance a l a ge nous les enfants de 1973 de la naissance a l a ge is available in our book collection an online access to it is set as public so you can download it instantly our digital library saves in multiple locations allowing you to get the most less latency time to download

*nous les enfants de 1973 de la naissance à l âge adulte* - Feb 09 2023

web enfants de 1973 nous avons vu arriver les premiers ordinateurs les premiers mangas et un français gagner roland garros dans le monde où nous avons grandi les frontières semblaient immuables et internet futuriste arrivés trop tard pour les trente g

**nous les enfants de 1943 de la naissance à l âge adulte** - Mar 30 2022

web nous les enfants de 1943 de la naissance à l âge adulte bergstein andrée amazon com tr

*nous les enfants de 1973 de la naissance à l âge adulte* - Jan 08 2023

web nous les enfants de 1973 de la naissance à l âge adulte c'était un temps où nous regardions le futur avec excitation

*nous les enfants de 1973 de la naissance à l âge adulte* - Jul 14 2023

web enfants de 1973 nés libres d être nus sous le soleil et de manger moins de cinq fruits et légumes par jour nous avons vu arriver les premiers ordinateurs les premiers mangas et un français gagner roland garros dans le monde où nous avons grandi les frontières semblaient immuables et internet futuriste

**nous les enfants de 1973 de la naissance a l a ge copy** - Jan 28 2022

web we pay for nous les enfants de 1973 de la naissance a l a ge and numerous ebook collections from fictions to scientific research in any way along with them is this nous les enfants de 1973 de la naissance a l a ge that can be your partner nous les enfants de 1973 de la naissance a l a ge downloaded from mail botswanalaws com by

**nous les enfants de 1973 de la naissance à l âge adulte by** - Jun 01 2022

web jun 20 2023 nous clarent c est pas sorcier tlcharger nous les enfants de 1973 de la naissance livre nous les enfants de 1973 crit par eric daries et vincent delerm les filles de 1973 fte de la chanson franaise 2005 tlcharger nous les enfants de 1978 de la naissance agressions racistes de 1973 en france wikipdia nous les enfants de

nous les enfants de 1973 de la naissance à l âge adulte decitre - Apr 11 2023

web sep 22 2011 enfants de 1973 nés libres d être nus sous le soleil et de manger moins de cinq fruits et légumes par jour nous avons vu arriver les premiers ordinateurs les premiers mangas et un français gagner roland garros dans le monde où nous avons grandi les frontières semblaient immuables et internet futuriste

*nous les enfants de 1973 de la naissance à l âge adulte* - Sep 04 2022

web nous les enfants de 1973 de la naissance à l âge adulte broché achat en ligne au meilleur prix sur e leclerc retrait gratuit dans de 700 magasins black friday

**nous les enfants de 1973 de la naissance à l âge adulte fnac** - Aug 15 2023

web résumé enfants de 1973 nés libres d être nus sous le soleil et de manger moins de cinq fruits et légumes par jour nous avons vu arriver les premiers ordinateurs les premiers mangas et un français gagner roland garros dans le monde où nous avons grandi les frontières semblaient immuables et internet futuriste

*nous les enfants de 1973 de la naissance à l âge adulte* - Dec 07 2022

web nous les enfants de 1973c était un temps où nous regardions le futur avec excitation et curiosité le temps de

nous les enfants de 1973 de la naissance à l âge adulte - Jun 13 2023

web nous les enfants de 1973 de la naissance à l âge adulte amazon com tr Çerez tercihlerinizi seçin alışveriş deneyiminizi geliştirmek hizmetlerimizi sunmak müşterilerin hizmetlerimizi nasıl kullandığını anlayarak iyileştirmeler yapabilmek ve tanıtımları gösterebilmek için çerezler ve benzeri araçları kullanmaktayız

**nous les enfants de 1973 de la naissance a l age** - Mar 10 2023

web aug 3 2020 enfants de 1973 nés libres d être nus sous le soleil et de manger moins de cinq fruits et légumes par jour nous avons vu arriver les premiers ordinateurs les premiers mangas et un français gagner roland garros dans le monde où nous avons grandi les frontières semblaient immuables et internet futuriste

**amazon fr commentaires en ligne nous les enfants de 1973 de la** - Jul 02 2022

web découvrez des commentaires utiles de client et des classements de commentaires pour nous les enfants de 1973 de la

naissance à l âge adulte sur amazon fr lisez des commentaires honnêtes et non biaisés sur les produits de la part nos utilisateurs

**nous les enfants de 1973 de la naissance a l a ge pdf 2023** - Apr 30 2022

web nous les enfants de 1973 de la naissance a l a ge pdf upload mita a robertson 2 3 downloaded from voto uneal edu br on september 3 2023 by mita a robertson reproduction this work is especially welcome these articles deal mainly with marriage and procreation with natural and legal filiation legitimation and the child as a person

**nous les enfants de 1953 de la naissance à l âge adulte** - Feb 26 2022

web nous les enfants de 1953 de la naissance à l âge adulte amazon com tr kitap

**nous les enfants de 1973 de la naissance à l âge adulte by** - Oct 05 2022

web jun 15 2023 nous les enfants de 1973 de la naissance à l âge adulte by jérôme maufra nous les enfants de 1973 eric daries jerome maufra le dessin de famille d enfants privs de pre perse