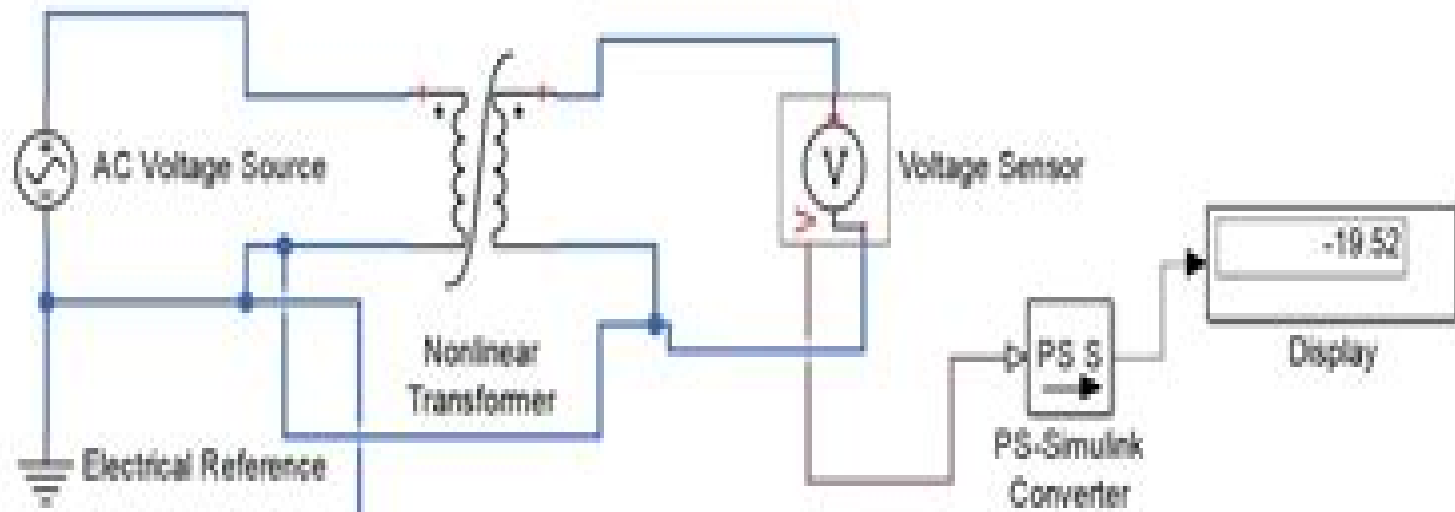


TRANSFORMER IN SIMULINK



$f(x) = 0$

Solver

View 1 running 20%

Transformer Tests Using Matlab Simulink And Their

**American Society for Engineering
Education. Conference**



Transformer Tests Using Matlab Simulink And Their:

Transformer Tests Using Matlab Simulink And Their Book Review: Unveiling the Magic of Language

In an electronic era where connections and knowledge reign supreme, the enchanting power of language has become much more apparent than ever. Its capability to stir emotions, provoke thought, and instigate transformation is truly remarkable. This extraordinary book, aptly titled "**Transformer Tests Using Matlab Simulink And Their**," published by a very acclaimed author, immerses readers in a captivating exploration of the significance of language and its profound impact on our existence. Throughout this critique, we shall delve into the book's central themes, evaluate its unique writing style, and assess its overall influence on its readership.

<https://py.bijouxmedusa.com/results/browse/index.jsp/By%20Step%20United%20States%2047%201811%20Travel%20Tips%20Step%20By%20Step%20For%20Startups.pdf>

Table of Contents Transformer Tests Using Matlab Simulink And Their

1. Understanding the eBook Transformer Tests Using Matlab Simulink And Their
 - The Rise of Digital Reading Transformer Tests Using Matlab Simulink And Their
 - Advantages of eBooks Over Traditional Books
2. Identifying Transformer Tests Using Matlab Simulink And Their
 - Exploring Different Genres
 - Considering Fiction vs. Non-Fiction
 - Determining Your Reading Goals
3. Choosing the Right eBook Platform
 - Popular eBook Platforms
 - Features to Look for in an eBook Transformer Tests Using Matlab Simulink And Their
 - User-Friendly Interface
4. Exploring eBook Recommendations from Transformer Tests Using Matlab Simulink And Their
 - Personalized Recommendations
 - Transformer Tests Using Matlab Simulink And Their User Reviews and Ratings

- Transformer Tests Using Matlab Simulink And Their and Bestseller Lists
- 5. Accessing Transformer Tests Using Matlab Simulink And Their Free and Paid eBooks
 - Transformer Tests Using Matlab Simulink And Their Public Domain eBooks
 - Transformer Tests Using Matlab Simulink And Their eBook Subscription Services
 - Transformer Tests Using Matlab Simulink And Their Budget-Friendly Options
- 6. Navigating Transformer Tests Using Matlab Simulink And Their eBook Formats
 - ePub, PDF, MOBI, and More
 - Transformer Tests Using Matlab Simulink And Their Compatibility with Devices
 - Transformer Tests Using Matlab Simulink And Their Enhanced eBook Features
- 7. Enhancing Your Reading Experience
 - Adjustable Fonts and Text Sizes of Transformer Tests Using Matlab Simulink And Their
 - Highlighting and Note-Taking Transformer Tests Using Matlab Simulink And Their
 - Interactive Elements Transformer Tests Using Matlab Simulink And Their
- 8. Staying Engaged with Transformer Tests Using Matlab Simulink And Their
 - Joining Online Reading Communities
 - Participating in Virtual Book Clubs
 - Following Authors and Publishers Transformer Tests Using Matlab Simulink And Their
- 9. Balancing eBooks and Physical Books Transformer Tests Using Matlab Simulink And Their
 - Benefits of a Digital Library
 - Creating a Diverse Reading Collection Transformer Tests Using Matlab Simulink And Their
- 10. Overcoming Reading Challenges
 - Dealing with Digital Eye Strain
 - Minimizing Distractions
 - Managing Screen Time
- 11. Cultivating a Reading Routine Transformer Tests Using Matlab Simulink And Their
 - Setting Reading Goals Transformer Tests Using Matlab Simulink And Their
 - Carving Out Dedicated Reading Time
- 12. Sourcing Reliable Information of Transformer Tests Using Matlab Simulink And Their
 - Fact-Checking eBook Content of Transformer Tests Using Matlab Simulink And Their
 - Distinguishing Credible Sources

13. Promoting Lifelong Learning
 - Utilizing eBooks for Skill Development
 - Exploring Educational eBooks
14. Embracing eBook Trends
 - Integration of Multimedia Elements
 - Interactive and Gamified eBooks

Transformer Tests Using Matlab Simulink And Their Introduction

In the digital age, access to information has become easier than ever before. The ability to download Transformer Tests Using Matlab Simulink And Their has revolutionized the way we consume written content. Whether you are a student looking for course material, an avid reader searching for your next favorite book, or a professional seeking research papers, the option to download Transformer Tests Using Matlab Simulink And Their has opened up a world of possibilities. Downloading Transformer Tests Using Matlab Simulink And Their provides numerous advantages over physical copies of books and documents. Firstly, it is incredibly convenient. Gone are the days of carrying around heavy textbooks or bulky folders filled with papers. With the click of a button, you can gain immediate access to valuable resources on any device. This convenience allows for efficient studying, researching, and reading on the go. Moreover, the cost-effective nature of downloading Transformer Tests Using Matlab Simulink And Their has democratized knowledge. Traditional books and academic journals can be expensive, making it difficult for individuals with limited financial resources to access information. By offering free PDF downloads, publishers and authors are enabling a wider audience to benefit from their work. This inclusivity promotes equal opportunities for learning and personal growth. There are numerous websites and platforms where individuals can download Transformer Tests Using Matlab Simulink And Their. These websites range from academic databases offering research papers and journals to online libraries with an expansive collection of books from various genres. Many authors and publishers also upload their work to specific websites, granting readers access to their content without any charge. These platforms not only provide access to existing literature but also serve as an excellent platform for undiscovered authors to share their work with the world. However, it is essential to be cautious while downloading Transformer Tests Using Matlab Simulink And Their. Some websites may offer pirated or illegally obtained copies of copyrighted material. Engaging in such activities not only violates copyright laws but also undermines the efforts of authors, publishers, and researchers. To ensure ethical downloading, it is advisable to utilize reputable websites that prioritize the legal distribution of content. When downloading Transformer Tests Using Matlab Simulink And Their, users should also consider the potential security risks associated with online platforms. Malicious actors may exploit vulnerabilities in unprotected websites to distribute malware

or steal personal information. To protect themselves, individuals should ensure their devices have reliable antivirus software installed and validate the legitimacy of the websites they are downloading from. In conclusion, the ability to download Transformer Tests Using Matlab Simulink And Their has transformed the way we access information. With the convenience, cost-effectiveness, and accessibility it offers, free PDF downloads have become a popular choice for students, researchers, and book lovers worldwide. However, it is crucial to engage in ethical downloading practices and prioritize personal security when utilizing online platforms. By doing so, individuals can make the most of the vast array of free PDF resources available and embark on a journey of continuous learning and intellectual growth.

FAQs About Transformer Tests Using Matlab Simulink And Their Books

How do I know which eBook platform is the best for me? Finding the best eBook platform depends on your reading preferences and device compatibility. Research different platforms, read user reviews, and explore their features before making a choice. Are free eBooks of good quality? Yes, many reputable platforms offer high-quality free eBooks, including classics and public domain works. However, make sure to verify the source to ensure the eBook credibility. Can I read eBooks without an eReader? Absolutely! Most eBook platforms offer webbased readers or mobile apps that allow you to read eBooks on your computer, tablet, or smartphone. How do I avoid digital eye strain while reading eBooks? To prevent digital eye strain, take regular breaks, adjust the font size and background color, and ensure proper lighting while reading eBooks. What the advantage of interactive eBooks? Interactive eBooks incorporate multimedia elements, quizzes, and activities, enhancing the reader engagement and providing a more immersive learning experience. Transformer Tests Using Matlab Simulink And Their is one of the best book in our library for free trial. We provide copy of Transformer Tests Using Matlab Simulink And Their in digital format, so the resources that you find are reliable. There are also many Ebooks of related with Transformer Tests Using Matlab Simulink And Their. Where to download Transformer Tests Using Matlab Simulink And Their online for free? Are you looking for Transformer Tests Using Matlab Simulink And Their PDF? This is definitely going to save you time and cash in something you should think about. If you trying to find then search around for online. Without a doubt there are numerous these available and many of them have the freedom. However without doubt you receive whatever you purchase. An alternate way to get ideas is always to check another Transformer Tests Using Matlab Simulink And Their. This method for see exactly what may be included and adopt these ideas to your book. This site will almost certainly help you save time and effort, money and stress. If you are looking for free books then you really should consider finding to assist you try this. Several of Transformer Tests Using Matlab Simulink And Their are for sale to free while some are payable. If you arent sure if the books you would like to download works with for usage along with your computer, it is possible to download

free trials. The free guides make it easy for someone to free access online library for download books to your device. You can get free download on free trial for lots of books categories. Our library is the biggest of these that have literally hundreds of thousands of different products categories represented. You will also see that there are specific sites catered to different product types or categories, brands or niches related with Transformer Tests Using Matlab Simulink And Their. So depending on what exactly you are searching, you will be able to choose e books to suit your own need. Need to access completely for Campbell Biology Seventh Edition book? Access Ebook without any digging. And by having access to our ebook online or by storing it on your computer, you have convenient answers with Transformer Tests Using Matlab Simulink And Their To get started finding Transformer Tests Using Matlab Simulink And Their, you are right to find our website which has a comprehensive collection of books online. Our library is the biggest of these that have literally hundreds of thousands of different products represented. You will also see that there are specific sites catered to different categories or niches related with Transformer Tests Using Matlab Simulink And Their So depending on what exactly you are searching, you will be able to choose ebook to suit your own need. Thank you for reading Transformer Tests Using Matlab Simulink And Their. Maybe you have knowledge that, people have search numerous times for their favorite readings like this Transformer Tests Using Matlab Simulink And Their, but end up in harmful downloads. Rather than reading a good book with a cup of coffee in the afternoon, instead they juggled with some harmful bugs inside their laptop. Transformer Tests Using Matlab Simulink And Their is available in our book collection an online access to it is set as public so you can download it instantly. Our digital library spans in multiple locations, allowing you to get the most less latency time to download any of our books like this one. Merely said, Transformer Tests Using Matlab Simulink And Their is universally compatible with any devices to read.

Find Transformer Tests Using Matlab Simulink And Their :

~~by step United States 47-1811 travel tips step by step for startups
ecommerce trends case study USA 47-1004 ecommerce trends case study USA
startups 47-984 coding for beginners tips United States 47-458 coding
47-2590 business automation guide USA 47-987 business automation guide
for startups 47-1718 interview tips ideas for startups 47-798 interview
writing case study America 47-1719 resume writing case study USA 47-2130
stock market guide United States 47-1300 stock market guide for creators
comparison for startups 47-2615 productivity hacks comparison for
creators 47-2829 content marketing for beginners for entrepreneurs
marketing trends USA 47-921 AI marketing tutorial United States 47-1665~~

science careers blueprint America 47-2658 data science careers blueprint

47-1868 luxury travel best practices America 47-29 luxury travel

budget travel guide for creators 47-2930 budget travel ideas USA 47-327

funding review United States 47-2690 startup funding roadmap USA 47-641

monetization tutorial for entrepreneurs 47-688 budget travel apps

Transformer Tests Using Matlab Simulink And Their :

Answer Key Vocabulary Power Grade 6 Pdf (Download Only) Page 6. Answer Key Vocabulary Power Grade 6 Pdf - Pages :6/6. Answer Key Vocabulary Power Grade 6 Pdf upload Arnold j. Paterson. 6/6. Downloaded from status ... Vocabulary Power Workbook g6 | PDF | Idiom Vocabulary Power Workbook g6 - Free download as PDF File (.pdf), Text File (.txt) or read online for free. vocabulary workbook for grade six. Level 6 - VocabularyPowerPlus.com Level 6. for Higher Achievement. Prepare for the Common Core PARCC and Smarter Balanced assessments as well as the SAT and ACT. Lesson 1. Answer Key Vocabulary Power Grade 6 Pdf Answer Key Vocabulary Power Grade 6 Pdf. INTRODUCTION Answer Key Vocabulary Power Grade 6 Pdf (PDF) Vocabulary Workbooks (Grades 6-12) Vocabulary Workbooks (Grades 6-12). Glencoe MacGraw Hill Vocabulary Power (Grade 6-12) (Key Stage 3-4). Vocabulary Workbook ~ Grade 6 · Vocabulary Workbook ... Vocabulary Power Grade 6 Lesson 1 Flashcards Study with Quizlet and memorize flashcards containing terms like alarm, anticipation, bewilderment and more. Vocabulary Power Workbook, Grade 6, Teacher Annotated ... Vocabulary Power Workbook, Grade 6, Teacher Annotated Edition [McGraw-Hill Education] on Amazon.com. *FREE* shipping on qualifying offers. Vocabulary Power ... Vocabulary Power Plus - Level 6 Set Help your students build a powerful vocabulary and prepare your students for the SAT, ACT, and Common Core assessments with Vocabulary Power Plus. Designed to ... Vocabulary Power Workbook, Grade 6, Teacher Annotated ... Vocabulary Power Workbook, Grade 6, Teacher Annotated Edition by McGraw-Hill Education - ISBN 10: 0078262259 - ISBN 13: 9780078262258 - Schools - 2001 ... Elementary Statistics Using Excel - 5th Edition - Quizlet Find step-by-step solutions and answers to Elementary Statistics Using Excel ... Elementary Statistics Using Excel 5th Edition by Mario F. Triola. More ... Student's Solutions Manual for Elementary Statistics Using ... Mario Triola. Student's Solutions Manual for Elementary Statistics Using Excel. 5th Edition. ISBN-13: 978-0321851673, ISBN-10: 0321851676. 3.0 3.0 out of 5 ... Essentials of Statistics 5th Edition Triola Solutions Manual Essentials of Statistics 5th Edition. Triola Solutions Manual. Visit to download the full and correct content document: Student's Solutions Manual for Elementary Statistics Using... Student's Solutions Manual for Elementary Statistics Using Excel 5th edition by Triola, Mario F. (2013) Paperback. 3.0 3.0 out of 5 stars 4 Reviews. Elementary Statistics Using Excel Textbook Solutions Elementary Statistics Using Excel textbook solutions from Chegg, view all supported editions ... Elementary Statistics Using Excel 5th Edition by Mario F. Triola ...

Student's Solutions Manual for Elementary Statistics Using ... Student's Solutions Manual for Elementary Statistics Using Excel 5th edition ; ISBN-13: 9780321851673 ; Authors: Mario F Triola, Mario Triola ; Full Title: ... Elementary Statistics: Picturing the World - 5th Edition Find step-by-step solutions and answers to Elementary Statistics: Picturing the World - 9780321693624, as well as thousands of textbooks so you can move ... Student's Solutions Manual for Elementary Statistics Using ... Buy Student's Solutions Manual for Elementary Statistics Using Excel 5th edition (9780321851673) by Mario F. Triola for up to 90% off at Textbooks.com. Elementary Statistics Using The Ti-83/84 Plus Calculator ... Textbook solutions for Elementary Statistics Using The Ti-83/84 Plus... 5th Edition Mario F. Triola and others in this series. View step-by-step homework ... Elementary Statistics Using the TI-83/84 Plus Calculator ... Browse Elementary Statistics Using the TI-83/84 Plus Calculator (5th Edition) Textbook Solutions to find verified answers to questions and quizzes. The Red Hot Chili Peppers: An Oral/Visual History official Red Hot Chili Peppers story—an oral and visual autobiography from one of the world's greatest rock groups. ... With hundreds of photographs, poster ... An Oral/Visual History by the Red Hot Chili Peppers An Oral/Visual History by the Red Hot Chili Peppers is a book written by the Red Hot Chili Peppers along with Brendan Mullen. It was released as a hardcover ... The Red Hot Chili Peppers: An Oral/Visual History official Red Hot Chili Peppers story—an oral and visual autobiography from one of the world's greatest rock groups. ... With hundreds of photographs, poster ... Oral Visual History: The Red Hot Chili Peppers, Brendan ... This book is laid out beautifully and the pictures are clear and each of them tells a story, of intense passionate love of music, life, dedication, friendship, ... An Oral/Visual History by The Red Hot Chili Peppers official Red Hot Chili Peppers story—an oral and visual autobiography from one of the world's greatest rock groups. Together, Anthony Kiedis, John Frusciante, ... The Red Hot Chili Peppers: An Oral/Visual History - Softcover This is the book fans have been waiting for since Mother's Milk and Blood Sugar Sex Magik first hit the charts: The first (and only!) official Red Hot Chili ... 'The Red Hot Chili Peppers: An Oral/Visual History by ... Jun 1, 2011 — All the honesty, the pretense, the courage and one-of-a-kindness, the unbridled joy, the melancholy, and the shields we put up to shelter our ... The Red Hot Chili Peppers) official Red Hot Chili Peppers story—an oral and visual autobiography from ... An Oral/Visual History. By The Red Hot Chili Peppers,. On Sale: October 19 ... An Oral/Visual History by The Red Hot Chili Peppers (2010 ... official Red Hot Chili Peppers story-an oral and visual autobiography from one of the world's greatest rock groups. ... With hundreds of photographs, poster ... An Oral Visual History By The Red Hot Chili Peppers Harper Collins, 2010. Book. Fine. Hardcover. Signed by Author(s). 1st Edition. 4to - over 9¾ - 12" tall. Gorgeous As New Copy. First Edition.\$39.99 On Flap.