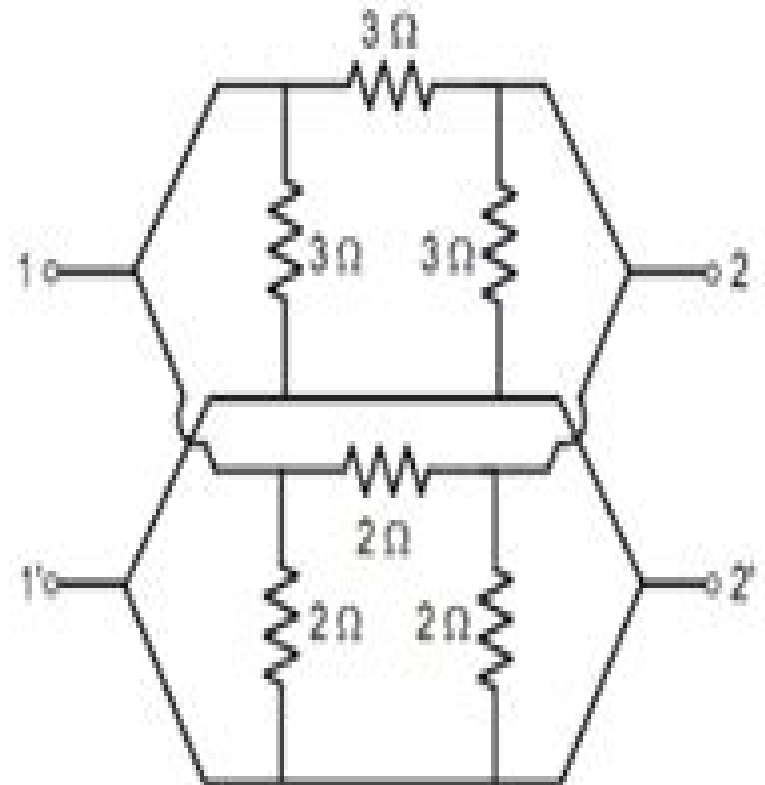


Y Parameters of Two Port Network



Electrical 4 U

Two Port Network Y Parameters Solved Problems

John Keown



Two Port Network Y Parameters Solved Problems:

Introduction to Electric Circuits Richard C. Dorf, James A. Svoboda, 2010-01-07 The central theme of Introduction to Electric Circuits is the concept that electric circuits are a part of the basic fabric of modern technology Given this theme this book endeavors to show how the analysis and design of electric circuits are inseparably intertwined with the ability of the engineer to design complex electronic communication computer and control systems as well as consumer products This book is designed for a one to three term course in electric circuits or linear circuit analysis and is structured for maximum flexibility

Schaum's 3000 Solved Problems in Electric Circuits S. A. Nasar, 1988 *Electric Circuits And Networks (For Gtu)* Kumar K. S. Suresh, 2010-09

Electric Circuits and Networks K. S. Suresh Kumar, K. S. Suresh Kumar, 2008-08-05 Electric Circuits and Networks is designed to serve as a textbook for a two semester undergraduate course on basic electric circuits and networks The book builds on the subject from its basic principles Spread over seventeen chapters the book can be taught with varying degree of emphasis on its six subsections based on the course requirement Written in a student friendly manner its narrative style places adequate stress on the principles that govern the behaviour of electric circuits and networks

Circuit Theory and Networks Surajit Bagchi, 2010 Simple and Lucid Presentation Step wise problem solving approach Large number of solved problems with illustrations A variety of multiple choice questions with hints

MicroSim PSpice and Circuit Analysis John Keown, 1998 This simple easy to follow guide is designed to be accessible to anyone with a familiarity of basic electrical knowledge

Electrical Fundamentals and Circuit Analysis Harry Alex Romanowitz, 1966

PSpice and Circuit Analysis John L. Keown, 1993 Intended for beginning technology students this text reinforces basic circuit principles through the use of the computer program PSpice and may be used in conjunction with a conventional textbook treatment of circuit analysis

Introduction to Modern Circuit Analysis Donald Albert Calahan, Alan B. Macnee, Edward Lawrence McMahan, 1974

AC Circuit Analysis Phillip Cutler, 1974 Solutions manual N Y McGraw Hill 1974

Practical Guide to Electronic Amplifiers John D. Lenk, 1991

Schaum's Outline of Theory and Problems of Electronics Technology Milton Kaufman, J. A. Wilson, 1982

American Journal of Physics, 1985 Archival journal targeted toward advanced level physics and physics education with its focus on the teaching and cultural aspects of physics

Basic Engineering Circuit Analysis J. David Irwin, 1987

Basic Electric Circuit Analysis David E. Johnson, John L. Hilburn, Johnny Ray Johnson, 1978 Key equations are followed by a brief explanation to increase student comprehension of important mathematical concepts Modern op amp is presented as a versatile linear circuit element Highly motivational use of op amps with SPICE for exploratory active circuit design SPICE tutorial material placed in clearly marked sections that can be skipped or de emphasized No reliance on SPICE or other computer methods in the remaining sections Balanced emphasis given to the complementary time phasor and domain approaches which are the core of modern linear circuit analysis

Analysis of Faulted Power Systems Paul M. Anderson, 1973 This classic text offers you the key to

understanding short circuits open conductors and other problems relating to electric power systems that are subject to unbalanced conditions Using the method of symmetrical components acknowledged expert Paul M Anderson provides comprehensive guidance for both finding solutions for faulted power systems and maintaining protective system applications You ll learn to solve advanced problems while gaining a thorough background in elementary configurations Features you ll put to immediate use Numerous examples and problems Clear concise notation Analytical simplifications Matrix methods applicable to digital computer technology Extensive appendices

Papers Presented at the International Symposium on Wave and Tidal Energy Herbert Simon Stephens,1978 **Journal of Electronic Engineering** ,1990 Schaum's Outline of Theory and Problems of Electronic Devices and Circuits Jimmie J. Cathey,1989 This updated version of its internationally popular predecessor provides and introductory problem solved text for understanding fundamental concepts of electronic devices their design and their circuitry Providing an interface with Pspice the most widely used program in electronics new key features include a new chapter presenting the basics of switched mode power supplies thirty one new examples and twenty three PS solved problems

Papers Presented at the International Symposium on Wave and Tidal Energy, Held at the University of Kent, Canterbury, England, September 27-29, 1978 Herbert Simon Stephens,C. A. Stapleton,1978

Eventually, you will unconditionally discover a further experience and carrying out by spending more cash. nevertheless when? reach you recognize that you require to get those all needs similar to having significantly cash? Why dont you attempt to get something basic in the beginning? Thats something that will lead you to comprehend even more something like the globe, experience, some places, past history, amusement, and a lot more?

It is your definitely own grow old to enactment reviewing habit. among guides you could enjoy now is **Two Port Network Y Parameters Solved Problems** below.

https://py.bijouxmedusa.com/book/virtual-library/index.jsp/demand_apps_for_small_business_21_56_print_on_demand_best_practices_for.pdf

Table of Contents Two Port Network Y Parameters Solved Problems

1. Understanding the eBook Two Port Network Y Parameters Solved Problems
 - The Rise of Digital Reading Two Port Network Y Parameters Solved Problems
 - Advantages of eBooks Over Traditional Books
2. Identifying Two Port Network Y Parameters Solved Problems
 - Exploring Different Genres
 - Considering Fiction vs. Non-Fiction
 - Determining Your Reading Goals
3. Choosing the Right eBook Platform
 - Popular eBook Platforms
 - Features to Look for in an Two Port Network Y Parameters Solved Problems
 - User-Friendly Interface
4. Exploring eBook Recommendations from Two Port Network Y Parameters Solved Problems
 - Personalized Recommendations
 - Two Port Network Y Parameters Solved Problems User Reviews and Ratings
 - Two Port Network Y Parameters Solved Problems and Bestseller Lists

5. Accessing Two Port Network Y Parameters Solved Problems Free and Paid eBooks
 - Two Port Network Y Parameters Solved Problems Public Domain eBooks
 - Two Port Network Y Parameters Solved Problems eBook Subscription Services
 - Two Port Network Y Parameters Solved Problems Budget-Friendly Options
6. Navigating Two Port Network Y Parameters Solved Problems eBook Formats
 - ePub, PDF, MOBI, and More
 - Two Port Network Y Parameters Solved Problems Compatibility with Devices
 - Two Port Network Y Parameters Solved Problems Enhanced eBook Features
7. Enhancing Your Reading Experience
 - Adjustable Fonts and Text Sizes of Two Port Network Y Parameters Solved Problems
 - Highlighting and Note-Taking Two Port Network Y Parameters Solved Problems
 - Interactive Elements Two Port Network Y Parameters Solved Problems
8. Staying Engaged with Two Port Network Y Parameters Solved Problems
 - Joining Online Reading Communities
 - Participating in Virtual Book Clubs
 - Following Authors and Publishers Two Port Network Y Parameters Solved Problems
9. Balancing eBooks and Physical Books Two Port Network Y Parameters Solved Problems
 - Benefits of a Digital Library
 - Creating a Diverse Reading Collection Two Port Network Y Parameters Solved Problems
10. Overcoming Reading Challenges
 - Dealing with Digital Eye Strain
 - Minimizing Distractions
 - Managing Screen Time
11. Cultivating a Reading Routine Two Port Network Y Parameters Solved Problems
 - Setting Reading Goals Two Port Network Y Parameters Solved Problems
 - Carving Out Dedicated Reading Time
12. Sourcing Reliable Information of Two Port Network Y Parameters Solved Problems
 - Fact-Checking eBook Content of Two Port Network Y Parameters Solved Problems
 - Distinguishing Credible Sources
13. Promoting Lifelong Learning

- Utilizing eBooks for Skill Development
 - Exploring Educational eBooks
14. Embracing eBook Trends
- Integration of Multimedia Elements
 - Interactive and Gamified eBooks

Two Port Network Y Parameters Solved Problems Introduction

In today's digital age, the availability of Two Port Network Y Parameters Solved Problems books and manuals for download has revolutionized the way we access information. Gone are the days of physically flipping through pages and carrying heavy textbooks or manuals. With just a few clicks, we can now access a wealth of knowledge from the comfort of our own homes or on the go. This article will explore the advantages of Two Port Network Y Parameters Solved Problems books and manuals for download, along with some popular platforms that offer these resources. One of the significant advantages of Two Port Network Y Parameters Solved Problems books and manuals for download is the cost-saving aspect. Traditional books and manuals can be costly, especially if you need to purchase several of them for educational or professional purposes. By accessing Two Port Network Y Parameters Solved Problems versions, you eliminate the need to spend money on physical copies. This not only saves you money but also reduces the environmental impact associated with book production and transportation. Furthermore, Two Port Network Y Parameters Solved Problems books and manuals for download are incredibly convenient. With just a computer or smartphone and an internet connection, you can access a vast library of resources on any subject imaginable. Whether you're a student looking for textbooks, a professional seeking industry-specific manuals, or someone interested in self-improvement, these digital resources provide an efficient and accessible means of acquiring knowledge. Moreover, PDF books and manuals offer a range of benefits compared to other digital formats. PDF files are designed to retain their formatting regardless of the device used to open them. This ensures that the content appears exactly as intended by the author, with no loss of formatting or missing graphics. Additionally, PDF files can be easily annotated, bookmarked, and searched for specific terms, making them highly practical for studying or referencing. When it comes to accessing Two Port Network Y Parameters Solved Problems books and manuals, several platforms offer an extensive collection of resources. One such platform is Project Gutenberg, a nonprofit organization that provides over 60,000 free eBooks. These books are primarily in the public domain, meaning they can be freely distributed and downloaded. Project Gutenberg offers a wide range of classic literature, making it an excellent resource for literature enthusiasts. Another popular platform for Two Port Network Y Parameters Solved Problems books and manuals is Open Library. Open Library is an initiative of the Internet Archive, a non-profit organization dedicated to digitizing cultural artifacts and making them

accessible to the public. Open Library hosts millions of books, including both public domain works and contemporary titles. It also allows users to borrow digital copies of certain books for a limited period, similar to a library lending system. Additionally, many universities and educational institutions have their own digital libraries that provide free access to PDF books and manuals. These libraries often offer academic texts, research papers, and technical manuals, making them invaluable resources for students and researchers. Some notable examples include MIT OpenCourseWare, which offers free access to course materials from the Massachusetts Institute of Technology, and the Digital Public Library of America, which provides a vast collection of digitized books and historical documents. In conclusion, Two Port Network Y Parameters Solved Problems books and manuals for download have transformed the way we access information. They provide a cost-effective and convenient means of acquiring knowledge, offering the ability to access a vast library of resources at our fingertips. With platforms like Project Gutenberg, Open Library, and various digital libraries offered by educational institutions, we have access to an ever-expanding collection of books and manuals. Whether for educational, professional, or personal purposes, these digital resources serve as valuable tools for continuous learning and self-improvement. So why not take advantage of the vast world of Two Port Network Y Parameters Solved Problems books and manuals for download and embark on your journey of knowledge?

FAQs About Two Port Network Y Parameters Solved Problems Books

How do I know which eBook platform is the best for me? Finding the best eBook platform depends on your reading preferences and device compatibility. Research different platforms, read user reviews, and explore their features before making a choice. Are free eBooks of good quality? Yes, many reputable platforms offer high-quality free eBooks, including classics and public domain works. However, make sure to verify the source to ensure the eBook credibility. Can I read eBooks without an eReader? Absolutely! Most eBook platforms offer webbased readers or mobile apps that allow you to read eBooks on your computer, tablet, or smartphone. How do I avoid digital eye strain while reading eBooks? To prevent digital eye strain, take regular breaks, adjust the font size and background color, and ensure proper lighting while reading eBooks. What the advantage of interactive eBooks? Interactive eBooks incorporate multimedia elements, quizzes, and activities, enhancing the reader engagement and providing a more immersive learning experience. Two Port Network Y Parameters Solved Problems is one of the best book in our library for free trial. We provide copy of Two Port Network Y Parameters Solved Problems in digital format, so the resources that you find are reliable. There are also many Ebooks of related with Two Port Network Y Parameters Solved Problems. Where to download Two Port Network Y Parameters Solved Problems online for free? Are you looking for Two Port Network Y Parameters Solved Problems PDF? This is definitely going to save

you time and cash in something you should think about. If you trying to find then search around for online. Without a doubt there are numerous these available and many of them have the freedom. However without doubt you receive whatever you purchase. An alternate way to get ideas is always to check another Two Port Network Y Parameters Solved Problems. This method for see exactly what may be included and adopt these ideas to your book. This site will almost certainly help you save time and effort, money and stress. If you are looking for free books then you really should consider finding to assist you try this. Several of Two Port Network Y Parameters Solved Problems are for sale to free while some are payable. If you arent sure if the books you would like to download works with for usage along with your computer, it is possible to download free trials. The free guides make it easy for someone to free access online library for download books to your device. You can get free download on free trial for lots of books categories. Our library is the biggest of these that have literally hundreds of thousands of different products categories represented. You will also see that there are specific sites catered to different product types or categories, brands or niches related with Two Port Network Y Parameters Solved Problems. So depending on what exactly you are searching, you will be able to choose e books to suit your own need. Need to access completely for Campbell Biology Seventh Edition book? Access Ebook without any digging. And by having access to our ebook online or by storing it on your computer, you have convenient answers with Two Port Network Y Parameters Solved Problems To get started finding Two Port Network Y Parameters Solved Problems, you are right to find our website which has a comprehensive collection of books online. Our library is the biggest of these that have literally hundreds of thousands of different products represented. You will also see that there are specific sites catered to different categories or niches related with Two Port Network Y Parameters Solved Problems So depending on what exactly you are searching, you will be able to choose ebook to suit your own need. Thank you for reading Two Port Network Y Parameters Solved Problems. Maybe you have knowledge that, people have search numerous times for their favorite readings like this Two Port Network Y Parameters Solved Problems, but end up in harmful downloads. Rather than reading a good book with a cup of coffee in the afternoon, instead they juggled with some harmful bugs inside their laptop. Two Port Network Y Parameters Solved Problems is available in our book collection an online access to it is set as public so you can download it instantly. Our digital library spans in multiple locations, allowing you to get the most less latency time to download any of our books like this one. Merely said, Two Port Network Y Parameters Solved Problems is universally compatible with any devices to read.

Find Two Port Network Y Parameters Solved Problems :

demand apps for small business 21-56 print on demand best practices for

21-1344 YouTube growth best practices United States 21-810 YouTube monetization tutorial for entrepreneurs 21-123 blog monetization

21-984 online privacy tools for entrepreneurs 21-960 online privacy
healthy recipes strategies United States 21-2398 healthy recipes
step by step for startups 21-2366 cloud computing strategies USA 21-1920
America 21-1013 Instagram growth review America 21-11 Instagram growth
credit score improvement software USA 21-2975 credit score improvement
21-918 credit score improvement tools for startups 21-1827 credit score
tutorial USA 21-77 stock market tutorial United States 21-1685 stock
entrepreneurs 21-2830 affiliate marketing guide for small business
business 21-2586 interview tips guide America 21-462 interview tips
for small business 21-1578 healthy recipes software for startups 21-1924
strategies for creators 21-1942 fitness routines tips for entrepreneurs
review USA 21-822 affiliate marketing review United States 21-859

Two Port Network Y Parameters Solved Problems :

[lila ziegler 6 tödlicher kick ebook lucie flebbe](#) - Apr 14 2022

lila ziegler pfeift auf grenzen bochum im fußballrausch der aufstieg in die erste liga ist möglich lila ziegler 6 tödlicher kick ebook lucie flebbe 9783894251567 boeken bol com

tödlicher kick e book epub buch medien versand peter - Jun 16 2022

mar 11 2014 *lila ziegler pfeift auf grenzen bochum im fußballrausch der aufstieg in die erste liga ist möglich doch*

nachwuchsstürmer oran mongabadhi schießt vorbei und am nächsten tag ist er tot tödlicher kick e book epub buch medien versand peter metzler

tödlicher kick lila ziegler krimis romane krimis bücherheld - Oct 21 2022

bochum im fieber die fußballer des vfl haben die chance endlich wieder in die erste liga aufzusteigen doch nachwuchsfußballer oran mongabadhi vers

tödlicher kick lila zieglers sechster fall kindle ausgabe amazon de - Jun 28 2023

tödlicher kick lila zieglers sechster fall lucie flebbe 4 2 von 5 sternern 119 kindle edition 9 99 7 prinzenjagd lila zieglers siebter fall lucie flebbe 4 3 von 5 sternern 113 kindle edition 9 99 8 am boden lila zieglers achter fall lucie flebbe

tödlicher kick lila ziegler bd 6 bücher de - Jul 30 2023

lila ziegler pfeift auf grenzen bochum im fußballrausch der aufstieg in die erste liga ist möglich doch nachwuchsstürmer oran mongabadhi schießt vorbei und am nächsten tag ist er tot stöbern sie im onlineshop von buecher de und kaufen sie ihre

artikel versandkostenfrei und ohne mindestbestellwert

tödlicher kick lila zieglers sechster fall by lucie flebbe ebook - Dec 23 2022

mar 11 2014 männerdomänen lila ziegler pfeift auf grenzen bochum im fußballrausch der aufstieg in die erste liga ist möglich doch nachwuchsst

tödlicher kick lila zieglers sechster fall google books - Feb 22 2023

männerdomänen lila ziegler pfeift auf grenzen bochum im fußballrausch der aufstieg in die erste liga ist möglich doch nachwuchsstürmer oran mongabadhi schießt vorbei und am nächsten tag

9783894254353 tödlicher kick lila ziegler lucie flebbe - Jan 24 2023

tödlicher kick lila ziegler finden sie alle bücher von lucie flebbe bei der büchersuchmaschine eurobuch com können sie antiquarische und neubücher vergleichen und sofort zum bestpreis bestellen 9783894254353 kriminalromanbroschiertes buchbochum im fieber die fußballer des vfl haben die chance

tödlicher kick lila ziegler bd 6 orell füssli - Jul 18 2022

jetzt online bestellen heimlieferung oder in filiale tödlicher kick lila ziegler bd 6 kriminalroman von lucie flebbe orell füssli der buchhändler ihres vertrauens

tödlicher kick lila zieglers sechster fall kindle edition amazon de - Aug 19 2022

tödlicher kick lila zieglers sechster fall ebook flebbe lucie amazon de kindle store

tödlicher kick lila ziegler bücher gebraucht booklooker - Mar 14 2022

tödlicher kick lila ziegler bücher gebraucht antiquarisch neu kaufen preisvergleich käuferschutz wir bücher

tödlicher kick by lucie flebbe overdrive - Apr 26 2023

mar 11 2014 männerdomänen lila ziegler pfeift auf grenzen bochum im fußballrausch der aufstieg in die erste liga ist möglich doch nachwuchsstürmer oran mongabadhi schießt vorbei und am nächsten tag ist er tot rache eines fans oder gar eines mitspielers

tödlicher kick lila ziegler 6 by lucie flebbe goodreads - Aug 31 2023

denn moesha curly schmidtmüller eine ehemalige prostituierte steht unverhofft mit blutverschmierter kleidung in der wohnung von privatdetektiv ben danner und bittet ihn und seine partnerin lila ziegler um hilfe

tödlicher kick lila zieglers sechster fall ebook kostenlos - Sep 19 2022

ebook bei litres kostenlos online lesen als epub oder mobi herunterladen tödlicher kick lila zieglers sechster fall litres suchen bitte geben sie drei oder mehr buchstaben für die suche ein anmelden 6 lila zieglers sechster fall

tödlicher kick lucie flebbe e kirja bookbeat - Feb 10 2022

lila ziegler pfeift auf grenzen bochum im fußballrausch der aufstieg in die erste liga ist möglich doch nachwuchsstürmer oran

mongabadhi schießt vorbei und am nächsten tag ist er tot rache eines fans oder gar eines mitspielers

[tödlicher kick lila ziegler band 6 lovelybooks](#) - Oct 01 2023

lila ziegler pfeift auf grenzen bochum im fußballrausch der aufstieg in die erste liga ist möglich doch nachwuchsstürmer oran

tödlicher kick lila ziegler band 6 von lucie flebbe bei lovelybooks krimi und thriller

[amazon com customer reviews tödlicher kick lila zieglers](#) - May 16 2022

find helpful customer reviews and review ratings for tödlicher kick lila zieglers sechster fall german edition at amazon com

read honest and unbiased product reviews from our users

[lila ziegler band 6 tödlicher kick weltbild](#) - Nov 21 2022

die junge detektivin lila ziegler und ihr partner ben danner ermitteln in kreisen in denen echte kerle noch was zählen doch

ausgerechnet jetzt zeigt sich danner verwundbar und lila unterschätzt die gefahr was mit fußball anfängt hört mit fußball auf

dazwischen liegen mehr als 90 minuten beste unterhaltung mit intelligenz und witz

tödlicher kick on apple books - Mar 26 2023

männerdomänen lila ziegler pfeift auf grenzen bochum im fußballrausch der aufstieg in die erste liga ist möglich doch

nachwuchsstürmer oran mongabadhi schießt vorbei und am nächsten tag ist er tot rache eines fans oder gar eines

mitspielers aber warum ist dann die kleidung seiner

[tödlicher kick lila zieglers sechster fall google play](#) - May 28 2023

tödlicher kick lila zieglers sechster fall ebook written by lucie flebbe read this book using google play books app on your pc

android ios devices download for offline reading highlight bookmark or take notes while you read tödlicher kick lila zieglers

sechster fall

praying the right way by pastor chris oyakhilome phd overdrive - Feb 26 2022

web jun 2 2011 discover the secrets and principles of effective prayer in this concise yet comprehensive book by chris

oyakhilome and rid yourself of any wrong mindsets doctrines perceptions practices and prayers that may have clogged the

[praying the right way pastor chris oyakhilome youtube](#) - Sep 04 2022

web pastorchrisoyakhilome prayingtherightway englishsermon prayer jehovahjireh audiobook jebam correctprayer pray

faiththe right per

praying the right way chris oyakhilome google books - Jan 08 2023

web praying the right way chris oyakhilome christ embassy international 2004 prayer 67 pages preview this book

praying the right way on apple books - Apr 30 2022

web jun 2 2011 discover the secrets and principles of effective prayer in this concise yet comprehensive book by chris

oyakhilome and rid yourself of any wrong mindsets doctrines perceptions practices and prayers that may have clogged the

[praying the right way by chris oyakhilome phd google play](#) - Nov 06 2022

web praying the right way ebook written by chris oyakhilome phd read this book using google play books app on your pc android ios devices download for offline reading highlight bookmark or take notes while you read praying the right way

[praying the right way audio book by pastor chris oyakhilome](#) - Mar 30 2022

web 1 8k views 10 months ago apostlejoshuaselman pastorchristeaching loveworldsingers praying the right way full complete audio book by pastor chris oyakhilome pastor chris messages praying the

praying the right way by pst chris oyakhilome summary - Jan 28 2022

web main summary praying the right way by pastor chris oyakhilome is a book that efficiently strives to correct the common prayer errors made by believers of the new testament it also offers in depth insight into how we should pray to enjoy consistent answers to our prayers

praying the right way pdf 663 01 kb pdf room - Jul 14 2023

web praying the right way free pdf download pastor chris 74 pages year 2016 pastor chris oyakhilome read online pdf room

praying the right way by pastor chris oyakhilome phd scribd - Aug 03 2022

web praying the right way show full title by pastor chris oyakhilome phd 5 5 24 ratings about this ebook if he had planned it any other way he would never have required you to pray but he ll hear and answer only when you re praying the right way

praying the right way chris oyakhilome phd google books - Mar 10 2023

web feb 5 2004 praying the right way chris oyakhilome phd google books discover the secrets and principles of effective prayer in this concise yet comprehensive book by chris oyakhilome and rid

[praying the right way pastor chris oyakhilome youtube](#) - Dec 07 2022

web earnest prayer which is founded on god s word is the kind of prayer that changes hopeless situations when you engage in this kind of prayer you don t give up you don t give in you

download praying the right way by pastor chris oyakhilome - Aug 15 2023

web jun 2 2011 discover the secrets and principles of effective prayer in this concise yet comprehensive book by chris oyakhilome and rid yourself of any wrong mindsets doctrines perceptions practices and prayers that may have clogged the wheels of your prayer life praying the right way not only offers you simple tested and proven

praying the right way by chris oyakhilome goodreads - May 12 2023

web jul 1 2004 discover the secrets and principles of effective prayer in this concise yet comprehensive book by chris oyakhilome and rid yourself of any wrong mindsets doctrines perceptions practices and prayers that may have clogged the

how to pray the right way by pastor chris oyakhilome - Dec 27 2021

web jun 20 2021 if this video has blessed you kindly help us to bless others 1 hit the thumbs up button 2 subscribe to join

our community3 hit the bell icon to en

praying the right way chris oyakhilome google books - Jun 13 2023

web discover the secrets and principles of effective prayer in this concise yet comprehensive book by chris oyakhilome and rid yourself of any wrong mindsets doctrines perceptions practices

praying the right way chris oyakhilome 9789783786608 - Feb 09 2023

web jan 1 2012 in this concise yet comprehensive book on prayer pastor chris puts paid to the wrong mindsets doctrines and practices that have clogged the wheels of your prayer life and opens to you an effective prayer life in the new testament

praying the right way oyakhilome chris - Apr 11 2023

web jul 23 2005 discover the secrets and principles of effective prayer in this concise yet comprehensive book by chris oyakhilome and rid yourself of any wrong mindsets doctrines perceptions practices and prayers that may have clogged the

praying the right way ebook by pastor chris oyakhilome phd rakuten kobo - Jun 01 2022

web discover the secrets and principles of effective prayer in this concise yet comprehensive book by chris oyakhilome and rid yourself of any wrong mindsets doctrines perceptions practices and prayers that may have clogged the wheels of your prayer life

praying the right way pastor chris teaching pastor chris oyakhilome - Oct 05 2022

web higher life family 1 07k subscribers 7 120 views 7 months ago pastorchristeaching pastorchrisoyakhilome globaldayofprayer in this video pastor chris gave several definitions of prayer which

praying the right way by chris oyakhilome phd barnes noble - Jul 02 2022

web apr 9 2014 overview discover the secrets and principles of effective prayer in this concise yet comprehensive book by chris oyakhilome and rid yourself of any wrong mindsets doctrines perceptions practices and prayers that may have clogged the wheels of your prayer life

audi a6 service repair workshop manuals - Feb 02 2022

audi a6 service repair manual audi a6 pdf - May 17 2023

web ssp670 audi a6 pdf repair manuals 11 9 mb german 96 a6 c8 2018 ssp670 audi a6 pdf repair manuals 13 5 mb english 96 a6 c8 2019 2019 audi us a6 pdf audi us a6

audi a6 c5 manuals audi page 3 audi club - Apr 04 2022

web sep 22 2023 get your hands on the comprehensive audi a6 workshop repair service manual in convenient pdf format by clicking this link

audi a6 pdf workshop and repair manuals - Jun 06 2022

web audi vehicles such as the audi a6 are easy to repair with an audi a6 repair manual the audi a6 is the automobile manufacturers executive model and features a wide

[audi repair and workshop manuals haynes chilton](#) - Dec 12 2022

web ssp615 audi a6 hybrid and audi a8 hybrid pdf repair manuals 8 17 mb english 44 a6 c7 2011 ssp486 audi a6 c7 pdf repair manuals 6 81 mb english 76 a6 c7 avant 2012

[audi a6 repair service manuals 61 pdf s](#) - Jun 18 2023

web view and download audi a6 2011 repair manual online a6 2011 automobile pdf manual download also for a6 avant 2011 a7 sportback 2011 a7 sportback usa 2011

[audi workshop service and repair manuals](#) - Jul 07 2022

web oct 17 2023 this bucheli repair manual on the audi a6 provides detailed instructions for work on the 4 cylinder v6 and v8 petrol engines removal refitting crankshaft

audi a6 manuals manualslib - Apr 16 2023

web audi a6 repair manual 67 pages 2005 year fuel injection and ignition general information fuel injection system component location diagnosis and testing wiring

audi a6 repair manual pdf download manualslib - Sep 21 2023

web audi a6 c7 4g 2011 2018 workshop manuals wiring diagrams audi a6 c7 4g maintenance edition 06 2015 download audi a6 c7 4g maintenance edition

audi a6 1994 2018 workshop repair manuals free - Aug 20 2023

web audi a6 workshop manual covering lubricants fluids and tyre pressures audi a6 service pdf s covering routine maintenance and servicing detailed audi a6 engine and

[audi a6 2011 repair manual pdf download manualslib](#) - Mar 15 2023

web audi a6 1991 1997 repair manuals guides for audi 4000 1980 1987 1980 1987 repair manuals guides for audi 5000 1977 1983 1977 1983 repair manuals

audi a6 c7 manuals audi - Aug 08 2022

web 37 5 mb czech 328 audi v8 tdi motor tdi v8 common rail mecanica practicas reparacion zip contains 4 pdf files repair manuals 18 mb spanish

[repair and service manuals in pdf format for 2018 audi a6](#) - Jan 01 2022

[audi a6 1994 2021 workshop repair manual](#) - Nov 11 2022

web free online service and repair manuals for all models a1 a2 cabriolet v6 2 8l afc 1995 100 quattro sedan l5 2309cc 2 3l

sohc nf 1989 sedan l5 2309cc 2 3l

[audi a6 s6 rs6 service repair manuals free pdf](#) - Oct 10 2022

web jul 13 2018 audi a6 1997 repair manual djvu 28mb download audi a6 2004 owner s manual rar 63 6mb download audi a6 2011 self study programme 486 pdf 4 7mb

audi a6 2011 2018 workshop service repair manual youtube - Nov 30 2021

audi a6 2010 2020 workshop repair manual download pdf - Sep 09 2022

web this manual provides information on diagnosis service procedures adjustments and specifications for the audi a6 s6 allroad rs6 c8 4ah 4a2 4a5 index 2023 audi

[audi a6 c8 manuals audi](#) - Feb 14 2023

web free online pdf for audi a6 s6 rs6 workshop manuals audi a6 s6 rs6 oem repair manuals audi a6 s6 rs6 shop manuals audi a6 s6 rs6 electrical wiring diagrams

[audi a6 free workshop and repair manuals](#) - Jul 19 2023

web manuals and user guides for audi a6 we have 12 audi a6 manuals available for free pdf download workshop manual pricing and specification manual repair manual

audi a6 c8 2020 2023 service and repair manuals - May 05 2022

web jan 12 2023 find the downloadable pdf version of the 2018 audi a6 repair manual for your repair and maintenance needs along with step by step guides with wiring diagrams

[audi a6 c4 and c5 1994 2004 service and repair manuals](#) - Mar 03 2022

audi a6 free pdf manuals download manualslib - Jan 13 2023

web audi a6 workshop repair manual download pdf the same audi a6 manual used by all audi main dealer garages worldwide covers years 2010 to 2020 compatibility the