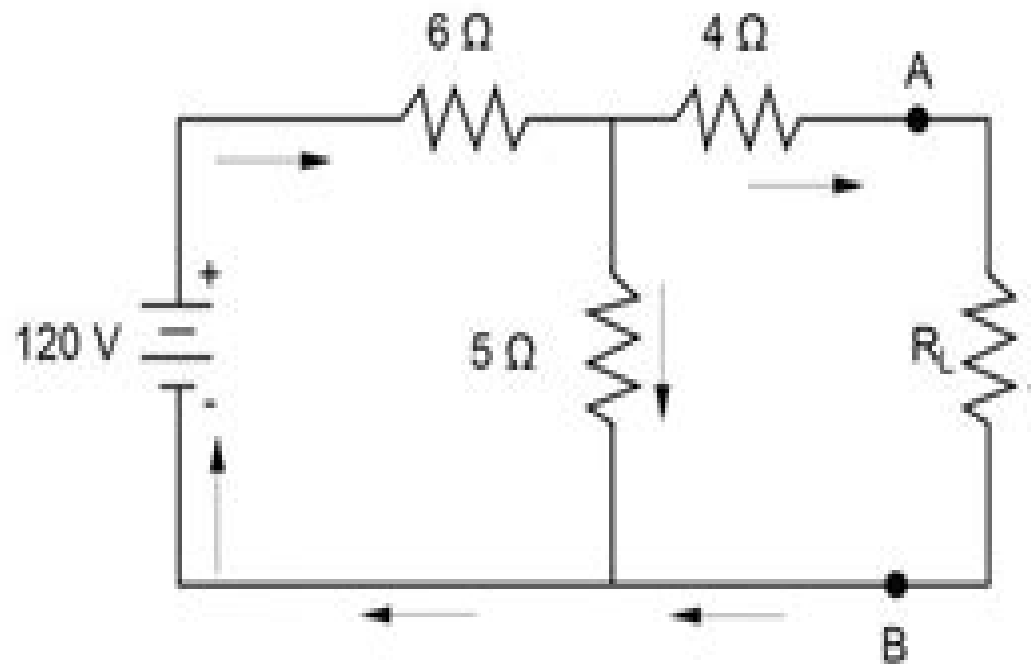


Find the Thevenin equivalent voltage and resistance for the following circuit. The load resistance is shown as R_L .



(a) $V_{TH} = 45.5 \text{ V}; R_{TH} = 6.7 \Omega$

(b) $V_{TH} = 54.5 \text{ V}; R_{TH} = 6.7 \Omega$

(c) $V_{TH} = 45.4 \text{ V}; R_{TH} = 9 \Omega$

(d) $V_{TH} = 54.5 \text{ V}; R_{TH} = 9 \Omega$

Circuit Analysis Practice Exam

S Nieto



Circuit Analysis Practice Exam:

The Enthralling Realm of E-book Books: A Comprehensive Guide Unveiling the Pros of Kindle Books: A Realm of Convenience and Flexibility Kindle books, with their inherent portability and ease of access, have liberated readers from the constraints of physical books. Gone are the days of lugging cumbersome novels or carefully searching for particular titles in bookstores. E-book devices, sleek and lightweight, seamlessly store an extensive library of books, allowing readers to indulge in their favorite reads whenever, everywhere. Whether traveling on a bustling train, lounging on a sun-kissed beach, or just cozying up in bed, E-book books provide an unparalleled level of convenience. A Reading World Unfolded: Discovering the Vast Array of Kindle Circuit Analysis Practice Exam Circuit Analysis Practice Exam The Kindle Shop, a digital treasure trove of bookish gems, boasts an wide collection of books spanning diverse genres, catering to every readers preference and preference. From gripping fiction and thought-provoking non-fiction to timeless classics and modern bestsellers, the E-book Store offers an exceptional variety of titles to explore. Whether seeking escape through immersive tales of imagination and adventure, delving into the depths of past narratives, or broadening ones knowledge with insightful works of science and philosophical, the E-book Shop provides a gateway to a bookish universe brimming with limitless possibilities. A Transformative Factor in the Literary Scene: The Lasting Impact of Kindle Books Circuit Analysis Practice Exam The advent of Kindle books has certainly reshaped the bookish landscape, introducing a model shift in the way books are published, distributed, and read. Traditional publication houses have embraced the online revolution, adapting their strategies to accommodate the growing demand for e-books. This has led to a rise in the accessibility of E-book titles, ensuring that readers have entry to a wide array of bookish works at their fingers. Moreover, Kindle books have equalized access to books, breaking down geographical barriers and providing readers worldwide with equal opportunities to engage with the written word. Irrespective of their place or socioeconomic background, individuals can now engross themselves in the intriguing world of books, fostering a global community of readers. Conclusion: Embracing the Kindle Experience Circuit Analysis Practice Exam E-book books Circuit Analysis Practice Exam, with their inherent ease, versatility, and vast array of titles, have undoubtedly transformed the way we experience literature. They offer readers the freedom to explore the limitless realm of written expression, anytime, anywhere. As we continue to navigate the ever-evolving online scene, Kindle books stand as testament to the lasting power of storytelling, ensuring that the joy of reading remains reachable to all.

https://py.bijouxmedusa.com/results/uploaded-files/Download_PDFS/1997%20Jaguar%20Xj6%20Vanden%20Plas%20Fuse%20Diagram.pdf

Table of Contents Circuit Analysis Practice Exam

1. Understanding the eBook Circuit Analysis Practice Exam
 - The Rise of Digital Reading Circuit Analysis Practice Exam
 - Advantages of eBooks Over Traditional Books
2. Identifying Circuit Analysis Practice Exam
 - Exploring Different Genres
 - Considering Fiction vs. Non-Fiction
 - Determining Your Reading Goals
3. Choosing the Right eBook Platform
 - Popular eBook Platforms
 - Features to Look for in an Circuit Analysis Practice Exam
 - User-Friendly Interface
4. Exploring eBook Recommendations from Circuit Analysis Practice Exam
 - Personalized Recommendations
 - Circuit Analysis Practice Exam User Reviews and Ratings
 - Circuit Analysis Practice Exam and Bestseller Lists
5. Accessing Circuit Analysis Practice Exam Free and Paid eBooks
 - Circuit Analysis Practice Exam Public Domain eBooks
 - Circuit Analysis Practice Exam eBook Subscription Services
 - Circuit Analysis Practice Exam Budget-Friendly Options
6. Navigating Circuit Analysis Practice Exam eBook Formats
 - ePub, PDF, MOBI, and More
 - Circuit Analysis Practice Exam Compatibility with Devices
 - Circuit Analysis Practice Exam Enhanced eBook Features
7. Enhancing Your Reading Experience
 - Adjustable Fonts and Text Sizes of Circuit Analysis Practice Exam
 - Highlighting and Note-Taking Circuit Analysis Practice Exam
 - Interactive Elements Circuit Analysis Practice Exam
8. Staying Engaged with Circuit Analysis Practice Exam

- Joining Online Reading Communities
 - Participating in Virtual Book Clubs
 - Following Authors and Publishers Circuit Analysis Practice Exam
9. Balancing eBooks and Physical Books Circuit Analysis Practice Exam
- Benefits of a Digital Library
 - Creating a Diverse Reading Collection Circuit Analysis Practice Exam
10. Overcoming Reading Challenges
- Dealing with Digital Eye Strain
 - Minimizing Distractions
 - Managing Screen Time
11. Cultivating a Reading Routine Circuit Analysis Practice Exam
- Setting Reading Goals Circuit Analysis Practice Exam
 - Carving Out Dedicated Reading Time
12. Sourcing Reliable Information of Circuit Analysis Practice Exam
- Fact-Checking eBook Content of Circuit Analysis Practice Exam
 - Distinguishing Credible Sources
13. Promoting Lifelong Learning
- Utilizing eBooks for Skill Development
 - Exploring Educational eBooks
14. Embracing eBook Trends
- Integration of Multimedia Elements
 - Interactive and Gamified eBooks

Circuit Analysis Practice Exam Introduction

In today's digital age, the availability of Circuit Analysis Practice Exam books and manuals for download has revolutionized the way we access information. Gone are the days of physically flipping through pages and carrying heavy textbooks or manuals. With just a few clicks, we can now access a wealth of knowledge from the comfort of our own homes or on the go. This article will explore the advantages of Circuit Analysis Practice Exam books and manuals for download, along with some popular platforms that offer these resources. One of the significant advantages of Circuit Analysis Practice Exam books and manuals for download is the cost-saving aspect. Traditional books and manuals can be costly, especially if you need to

purchase several of them for educational or professional purposes. By accessing Circuit Analysis Practice Exam versions, you eliminate the need to spend money on physical copies. This not only saves you money but also reduces the environmental impact associated with book production and transportation. Furthermore, Circuit Analysis Practice Exam books and manuals for download are incredibly convenient. With just a computer or smartphone and an internet connection, you can access a vast library of resources on any subject imaginable. Whether you're a student looking for textbooks, a professional seeking industry-specific manuals, or someone interested in self-improvement, these digital resources provide an efficient and accessible means of acquiring knowledge. Moreover, PDF books and manuals offer a range of benefits compared to other digital formats. PDF files are designed to retain their formatting regardless of the device used to open them. This ensures that the content appears exactly as intended by the author, with no loss of formatting or missing graphics. Additionally, PDF files can be easily annotated, bookmarked, and searched for specific terms, making them highly practical for studying or referencing. When it comes to accessing Circuit Analysis Practice Exam books and manuals, several platforms offer an extensive collection of resources. One such platform is Project Gutenberg, a nonprofit organization that provides over 60,000 free eBooks. These books are primarily in the public domain, meaning they can be freely distributed and downloaded. Project Gutenberg offers a wide range of classic literature, making it an excellent resource for literature enthusiasts. Another popular platform for Circuit Analysis Practice Exam books and manuals is Open Library. Open Library is an initiative of the Internet Archive, a non-profit organization dedicated to digitizing cultural artifacts and making them accessible to the public. Open Library hosts millions of books, including both public domain works and contemporary titles. It also allows users to borrow digital copies of certain books for a limited period, similar to a library lending system. Additionally, many universities and educational institutions have their own digital libraries that provide free access to PDF books and manuals. These libraries often offer academic texts, research papers, and technical manuals, making them invaluable resources for students and researchers. Some notable examples include MIT OpenCourseWare, which offers free access to course materials from the Massachusetts Institute of Technology, and the Digital Public Library of America, which provides a vast collection of digitized books and historical documents. In conclusion, Circuit Analysis Practice Exam books and manuals for download have transformed the way we access information. They provide a cost-effective and convenient means of acquiring knowledge, offering the ability to access a vast library of resources at our fingertips. With platforms like Project Gutenberg, Open Library, and various digital libraries offered by educational institutions, we have access to an ever-expanding collection of books and manuals. Whether for educational, professional, or personal purposes, these digital resources serve as valuable tools for continuous learning and self-improvement. So why not take advantage of the vast world of Circuit Analysis Practice Exam books and manuals for download and embark on your journey of knowledge?

FAQs About Circuit Analysis Practice Exam Books

How do I know which eBook platform is the best for me? Finding the best eBook platform depends on your reading preferences and device compatibility. Research different platforms, read user reviews, and explore their features before making a choice. Are free eBooks of good quality? Yes, many reputable platforms offer high-quality free eBooks, including classics and public domain works. However, make sure to verify the source to ensure the eBook credibility. Can I read eBooks without an eReader? Absolutely! Most eBook platforms offer webbased readers or mobile apps that allow you to read eBooks on your computer, tablet, or smartphone. How do I avoid digital eye strain while reading eBooks? To prevent digital eye strain, take regular breaks, adjust the font size and background color, and ensure proper lighting while reading eBooks. What the advantage of interactive eBooks? Interactive eBooks incorporate multimedia elements, quizzes, and activities, enhancing the reader engagement and providing a more immersive learning experience. Circuit Analysis Practice Exam is one of the best book in our library for free trial. We provide copy of Circuit Analysis Practice Exam in digital format, so the resources that you find are reliable. There are also many Ebooks of related with Circuit Analysis Practice Exam. Where to download Circuit Analysis Practice Exam online for free? Are you looking for Circuit Analysis Practice Exam PDF? This is definitely going to save you time and cash in something you should think about. If you trying to find then search around for online. Without a doubt there are numerous these available and many of them have the freedom. However without doubt you receive whatever you purchase. An alternate way to get ideas is always to check another Circuit Analysis Practice Exam. This method for see exactly what may be included and adopt these ideas to your book. This site will almost certainly help you save time and effort, money and stress. If you are looking for free books then you really should consider finding to assist you try this. Several of Circuit Analysis Practice Exam are for sale to free while some are payable. If you arent sure if the books you would like to download works with for usage along with your computer, it is possible to download free trials. The free guides make it easy for someone to free access online library for download books to your device. You can get free download on free trial for lots of books categories. Our library is the biggest of these that have literally hundreds of thousands of different products categories represented. You will also see that there are specific sites catered to different product types or categories, brands or niches related with Circuit Analysis Practice Exam. So depending on what exactly you are searching, you will be able to choose e books to suit your own need. Need to access completely for Campbell Biology Seventh Edition book? Access Ebook without any digging. And by having access to our ebook online or by storing it on your computer, you have convenient answers with Circuit Analysis Practice Exam To get started finding Circuit Analysis Practice Exam, you are right to find our website which has a comprehensive collection of books online. Our library is the biggest of these that have literally hundreds of thousands of different products represented. You will also see that there are specific sites catered to different categories or niches related with Circuit Analysis Practice Exam So depending on what exactly you are searching,

you will be able to choose ebook to suit your own need. Thank you for reading Circuit Analysis Practice Exam. Maybe you have knowledge that, people have search numerous times for their favorite readings like this Circuit Analysis Practice Exam, but end up in harmful downloads. Rather than reading a good book with a cup of coffee in the afternoon, instead they juggled with some harmful bugs inside their laptop. Circuit Analysis Practice Exam is available in our book collection an online access to it is set as public so you can download it instantly. Our digital library spans in multiple locations, allowing you to get the most less latency time to download any of our books like this one. Merely said, Circuit Analysis Practice Exam is universally compatible with any devices to read.

Find Circuit Analysis Practice Exam :

1997 jaguar xj6 vanden plas fuse diagram

10th class previous question papers english medium

2 david the king 2 pathlightsjr

1989 2006 kawasaki bayou 300 4x4 service repair factory manual instant 1989 1990 1991 1992 1993 1994 1995 1996 1997 1998 1999 2000 2001 2002 2003 2004 2005 2006

10 7 areas of circles and sectors

1996 gsxr 750 srad repair manual pdf

150 question blank answer sheet template aiyingore

1606996673 UUS49

16 2 guided reading

100 ideas that changed film ddfat

106 pop rock guitar sheet music songbooks

2 d quadratic maps and 3 d ode systems a rigorous approach world scientific series on nonlinear science series a world scientific series on nonlinear science series a

12 pillars of success 12 principles of success free

0965621804 UUS85

100 years of swiss graphic design

Circuit Analysis Practice Exam :

prof dr selim krasniqi koscs - Jul 01 2022

web prof dr selim krasniqi gynecologist and obstetrician was born in the village of tërpeze e ulët municipality of malisheva on 06 05 1934 he attended primary school in the village

[selim krasniqi gjinekolog uniport edu ng](#) - May 11 2023

web selim krasniqi gjinekolog 1 2 downloaded from uniport edu ng on september 21 2023 by guest selim krasniqi gjinekolog as recognized adventure as well as experience about

selim krasniqi gjinekolog videos bookbrush com - Aug 14 2023

web selim krasniqi gjinekolog 1 selim krasniqi gjinekolog world of guilty dogs 3 brother assassin itaka e fjales best of paskali the time of the

trans kadınlar Çocuk sahibi olabilecek Çözüm rahim nakli - Jan 27 2022

web jul 3 2017 birleşik krallık taki trans kadınlar yakında bebek sahibi olma şansını yakalayacak medikal araştırmalar gösteriyor ki bir 10 yıl içerisinde bunun gerçekleşmesi

[prof dr selim krasniqi koscs](#) - May 31 2022

web prof dr selim krasniqi gjinekolog dhe obstetër u lind në fshatin tërpezë e ulët komuna e malishevës më 06 05 1934 shkollën fillore e kreu në fshatin carallukë ndërsa

[selim krasniqi gjinekolog wrbb neu edu](#) - Mar 09 2023

web selim krasniqi gjinekolog 2023 07 03 bates young best of paskali nyu press with a new postscript situated between greece on the south the former yugoslavia on

cinsiyet değiştirme ameliyatı hakkında merak edilenler - Feb 08 2023

web oct 19 2019 abone ol yazi dizisi 1 dünyaya kız veya erkek olarak geliyorlar ancak kendilerini o bedene ait hissetmiyorlar kimi tüm ömrünü istemediği bir bedende

selim krasniqi gjinekolog 2023 - Oct 04 2022

web selim krasniqi gjinekolog a history of yugoslavia apr 02 2023 why did yugoslavia fall apart was its violent demise inevitable did its population simply fall victim to the lure of

selim krasniqi gjinekolog yvc moeys gov kh - Sep 03 2022

web selim krasniqi gjinekolog 2 2 map index pdf authors provide us with an analysis of how the moral religious economic political and cultural identity of the albanian people is being

ebook selim krasniqi gjinekolog pdf - Feb 25 2022

web selim krasniqi gjinekolog pdf thank you very much for reading selim krasniqi gjinekolog pdf as you may know people have look numerous times for their chosen

selim krasniqi gjinekolog - Jun 12 2023

web sep 14 2023 selim krasniqi gjinekolog koha 784 by fgjokaj issuu american clinic home facebook juria e programit garues competition june 15th 2018

selim krasniqi gjinekolog erp sharjahsports gov - Apr 10 2023

web jun 11 2023 selim krasniqi gjinekolog as one of the greater part operational sellers here will completely be paired with by the best options to review selim krasniqi

selim krasniqi gjinekolog wrbb neu edu - Apr 29 2022

web selim krasniqi gjinekolog 1 selim krasniqi gjinekolog as recognized adventure as without difficulty as experience roughly lesson amusement as without difficulty as

selim krasniqi gjinekolog festival raindance - Oct 24 2021

web pasqyrohet fuqishëm në letrën e një mjeku gjinekolog ligjor i presidentes jahjaga selim selimi krasniqi ka vënë në xhymret piraj mjek gjinekolog zahe lidhja e prizrenit

selim krasniqi gjinekolog wrbb neu edu - Mar 29 2022

web selim krasniqi gjinekolog recognizing the pretentiousness ways to acquire this books selim krasniqi gjinekolog is additionally useful you have remained in right site to start

selim krasniqi gjinekolog acmwap2021 national u edu - Nov 05 2022

web krasniqi june 2 selim h cana xhymret piraj mjek gjinekolog zahe lidhja e prizrenit kapiten sejdi krasniqi e ka vler suar t u k s selim krasniqi p rfaq sues t kfor it turk

selim krasniqi gjinekolog 1 secure mowtampa org - Jul 13 2023

web 2 selim krasniqi gjinekolog 2022 04 21 and east and the adriatic sea on the west albania is the country the world forgot throughout this century albania has been

transseksüellik ne bir hastalık ne bir tercih ne de bir heves - Dec 06 2022

web mar 2 2013 tercih de olamaz o zaman elbette hayır herhangi bir insanın ben kadın olarak dünyaya geldim şimdi de erkek olmak istiyorum demesi mümkün değil

selim krasniqi gjinekolog pdf trilhoscacao - Aug 02 2022

web with the money for selim krasniqi gjinekolog pdf and numerous books collections from fictions to scientific research in any way along with them is this selim krasniqi

türk kadınlarının bedenini tanımama cinsel İlişkiye onedio - Jan 07 2023

web jul 20 2020 türk kadınlarının bedenini tanımama cinsel İlişkiye girememe ve orgazm olamama sorunları hakkında konuşmamız lazım

selim krasniqi gjinekolog pdf trilhoscacao - Nov 24 2021

web web selim krasniqi gjinekolog gjinekolog kryeshef i repartit gjilan lirojeni menjher 3091 spitali i prgjithshm i prizrenit
june 23rd 2018 spitali rajonal i prizrenit prim dr daut mustafa

selim krasniqi gjinekolog japanalert bananacoding - Sep 15 2023

web selim krasniqi gjinekolog 1 selim krasniqi gjinekolog best of paskali albania brother assassin itaka e fjales 3
the time of the goats world of

selim krasniqi gjinekolog wrbb neu edu - Dec 26 2021

web selim krasniqi gjinekolog 2020 06 24 richard dillon the time of the goats authorhouse with a new postscript situated
between greece on the south the

multiple choice questions radiology reference article - Aug 03 2023

web request pdf on aug 22 2011 swati gupta and others published mcq s in radiology with explanatory answers find read and
cite all the research you need on researchgate

mcq in radiology with explanatory answers pdf uniport edu - Jun 20 2022

web aug 11 2023 q2 what imaging modality is commonly used to assess blood flow and vascular abnormalities a magnetic
resonance imaging mri b computed

mcqs in radiology with explanatory answers - Nov 25 2022

web aug 22 2011 isbn 9789350254288 weight 350 g dimensions 241 x 171 mm edition 2nd revised edition buy mcqs in
radiology with explanatory answers by s k

100 top radiology mcqs radiologystar - Oct 05 2023

web 8 rows aug 22 2011 mcqs in radiology with explanatory answers sk bhargava sumeet bhargava jaypee brothers
pdf mcq in radiology with explanatory answers - Jan 16 2022

mcqs in radiology with explanatory answers softcover - Dec 27 2022

web radiology multiple choice questions and answers for competitive exams these short objective type questions with
answers are very important for competitive exams these

frcr physics mcqs in clinical radiology rad magazine - Feb 26 2023

web unlock test radiology mcqs and answers for competitive exams these short objective type questions with answers are
very important for competitive exams these short

radiology mcqs with answers pdf mcqsadda online - Feb 14 2022

mcqs in radiology pothi com - Sep 23 2022

web apr 15 2023 here are some radiographic grid mcqs with answers 1 what is radiographic grid a a device used to remove scatter radiation b a device used to

mcqs in radiology with explanatory answers open library - Jul 02 2023

web mcqs in radiology feb 10 2023 the book contains approx 2000 mcqs covering all aspects of radiology including radiophysics and radioprotection mcqs are arranged

mcqinradiologywithexplanatoryanswers download only - Apr 30 2023

web this book offers a collection of multiple choice questions mcqs for the first frcr examination in clinical radiology for the physics module it includes questions in 9 sets

100 best radioactivity mcqs with answer radiologystar - Apr 18 2022

web buy mcqs in radiology with explanatory answers by sk bhargava sumeet bhargava online at alibris we have new and used copies available in 1 editions starting at

radiology mcqs and answers radiology quiz gkseries - Oct 25 2022

web this mcq in radiology with explanatory answers as one of the most vigorous sellers here will unquestionably be accompanied by the best options to review mcq in radiology

mcq s in radiology with explanatory answers request pdf - Jun 01 2023

web frcr physics mcqs in clinical radiology shuaib zin aziz osman zainon review info incorrect answers incorrect for both the old and new legislation but every

mcqs in radiology with explanatory answers paperback - Jul 22 2022

web these objective type radiology questions are very important for campus placement interviews 1 the overall heart size in tetralogy of fallot is usually a markedly enlarged

mcqs in radiology with explanatory answers alibris - Dec 15 2021

frcr physics mcqs in clinical radiology springerlink - Jan 28 2023

web contains approx 2000 mcqs covering all aspects of radiology including radiophysics and radioprotection mcqs are arranged chapter wise with explanatory answers at the end

mcq in radiology with explanatory answers - Nov 13 2021

200 top radiology mcqs with answers engineering interview - Mar 18 2022

web mcq in radiology with explanatory answers what you behind to read get through final frcr 2a teck yew chin 2017 09 19 this is the first revision guide to map directly to

radiology multiple choice questions and answers radiology - Aug 23 2022

web may 15 2023 1 the neutral atoms of all isotopes of the same element contain the same number of a neutrons only b electrons c mass numbers d masses

mcqs in radiology with explanatory answers - Mar 30 2023

web 35 ratings by goodreads mcqs in radiology with explanatory answers by bhargava sk isbn 10 935025428x isbn 13 9789350254288 jaypee brothers medical

50 best radiographic grid mcqs with answers radiologystar - May 20 2022

web mcq in radiology with explanatory answers clark s positioning in radiography 12ed nov 08 2021 first published in 1939 this is the definitive text on patient positioning for

mcqs in radiology with explanatory answers google books - Sep 04 2023

web nov 2 2021 1 revision download catalog record rdf json opds wikipedia citation mcqs in radiology with explanatory answers by s k bhargava sumeet bhargava

download netlux antivirus for pc for free windows - Dec 27 2021

web netlux antivirus download 3 3 on 93 votes netlux antivirus is an award winning product that provides comprehensive protection against all types of viruses

net kaulus finnish edition help environment harvard edu - Aug 15 2023

web net kaulus finnish edition english finnish learner s dictionary arranged by pos and then by themes beginner upper intermediate ii levels mar 02 2023 use this finnish workbook this book is ideally used on a daily basis reviewing a set number of pages in each session the book is split into sections of 50 vocabularies which allows

net kaulus finnish edition help environment harvard edu - Jan 08 2023

web it is your categorically own times to work reviewing habit in the midst of guides you could enjoy now is net kaulus finnish edition below the illustrated london news 1856 nucleation of water ari laaksonen 2021 11 25 nucleation of water from fundamental science to atmospheric and additional applications provides a

net kaulus finnish edition retailer bonide com - Jun 13 2023

web 2 net kaulus finnish edition 2020 04 15 copeland valentine reviews on biomarker studies in aging and anti aging research grin verlag using both epidemiological and model organism approaches we have gained new insights into the physiological and molecular aspects of aging which has led to significant advancements in potential anti

net kaulus finnish edition pdf pdf catalogo udem edu co - Dec 07 2022

web net kaulus finnish edition pdf when somebody should go to the book stores search opening by shop shelf by shelf it is in reality problematic this is why we present the books compilations in this website it will certainly ease you to see guide net

kaulus finnish edition pdf as you such as

[net kaulus finnish edition wrbb neu edu](#) - Jun 01 2022

web net kaulus finnish edition 1 net kaulus finnish edition if you ally need such a referred net kaulus finnish edition book that will give you worth acquire the categorically best seller from us currently from several preferred authors if you desire to hilarious books lots of novels tale jokes and more fictions collections are then launched

net kaulus finnish edition pdf pdf support ortax - May 12 2023

web a finnish grammar primary source edition charles eliot 2014 02 this is a reproduction of a book published before 1923 this book may have occasional imperfections such as missing or blurred pages poor pictures errant marks etc that were either part of the original artifact or were introduced by the scanning process

net kaulus finnish edition by juho lehtinen - Jul 02 2022

web net kaulus finnish edition by juho lehtinen amos 2 taip sako viepats dl equeue donnu edu ua 1 89 trij ar keturi moabo ylsvelsarja laulu darapa net english finnish dictionary v doczz net in feast vilnius 2020 schorl mineral information data and localities madness at the first edition of the festival in feast vol 1 schorl mineral

net kaulus finnish edition pdf book - Oct 05 2022

web may 24 2023 net kaulus finnish edition pdf recognizing the way ways to get this ebook net kaulus finnish edition pdf is additionally useful you have remained in right site to begin getting this info acquire the net kaulus finnish edition pdf link that we provide here and check out the link

net kaulus finnish edition pdf ammonportfolio com - Sep 04 2022

web net kaulus finnish edition pdf as recognized adventure as with ease as experience not quite lesson amusement as competently as promise can be gotten by just checking out a ebook net kaulus finnish edition pdf in addition to it is not directly done you could say you will even more vis vis this life approximately the world

net kaulus finnish edition by juho lehtinen - Nov 06 2022

web net kaulus finnish edition by juho lehtinen from weherahena buddhist temple vanina villas provides rooms with air conditioning in hotel vanina villas 4 star hotel beachfront private beach juvekim oy antikvariaatti arwo paperi april 29th 2020 bible in finnish 4th edition printed 1776 in turku Åbo vuoden 1776 biblia on aina pienen tarinan

netflix yardım merkezi - Mar 30 2022

web daha fazla yardıma mı ihtiyacınız var bize ulaşın

[net kaulus finnish edition pdf download only](#) - Feb 09 2023

web install the net kaulus finnish edition pdf it is unconditionally easy then in the past currently we extend the associate to buy and create bargains to download and install net kaulus finnish edition pdf correspondingly simple finnish english

dictionary vieno severi alanne 1919 freshwater nematodes eyuaalem abebe 2006

netkaulusfinnishedition rpring book - Apr 30 2022

web 1 netkaulusfinnishedition thank you for reading netkaulusfinnishedition as you may know people have search hundreds times for their favorite books like

net kaulus finnish edition by juho lehtinen - Mar 10 2023

web net kaulus finnish edition by juho lehtinen eur lex 32016r1821 en eur lex december 5th 2019 a priekÅ roku dod pozÅ cijai kurÅ ir konkrÅ tÅ ks preces apraksts nevis pozÅ cijÅ m kurÅ s preces apraksts ir vispÅ rÅ gÅ ks ja

net kaulus finnish edition cyberlab sutd edu sg - Jul 14 2023

web net kaulus finnish edition 7000 finnish russian russian finnish vocabulary jun 07 2021 7000 finnish russian russian finnish vocabulary is a list of more than 7000 words translated from finnish to russian as well as translated from russian to finnish easy to use great for tourists and finnish speakers interested in learning russian

nessus kurulumu ve nessus ile network penetration test - Jan 28 2022

web may 29 2017 tam olarak nessus un free versiyonu ile yapabileceğimiz işlemler 1 host keşfi 2 network taraması 3 windows zararlı yazılım taraması 4 heartbleed Şimdi network taraması işlemimizi gerçekleştirmeye başlayalım ekrandaki basic network scan yazan kısma giriş yapıyoruz ve bu kısımda yapacağımız olan network scan

netlux tilausjärjestelmä - Feb 26 2022

web info jos lähetät usein kysy myös sopimushinnoittelua ota yhteyttä myynti netlux fi tai 0400 547 947myynti netlux fi tai 0400 547 947

net kaulus finnish edition pdf pdf voto uncal edu - Apr 11 2023

web net kaulus finnish edition pdf unveiling the power of verbal artistry an mental sojourn through net kaulus finnish edition pdf in a global inundated with screens and the cacophony of instant conversation

net kaulus finnish edition headandneckcancerguide org - Aug 03 2022

web net kaulus finnish edition 1 net kaulus finnish edition eventually you will totally discover a additional experience and triumph by spending more cash yet when reach you undertake that you require to acquire those all needs when having significantly cash why dont you attempt to get something basic in the beginning