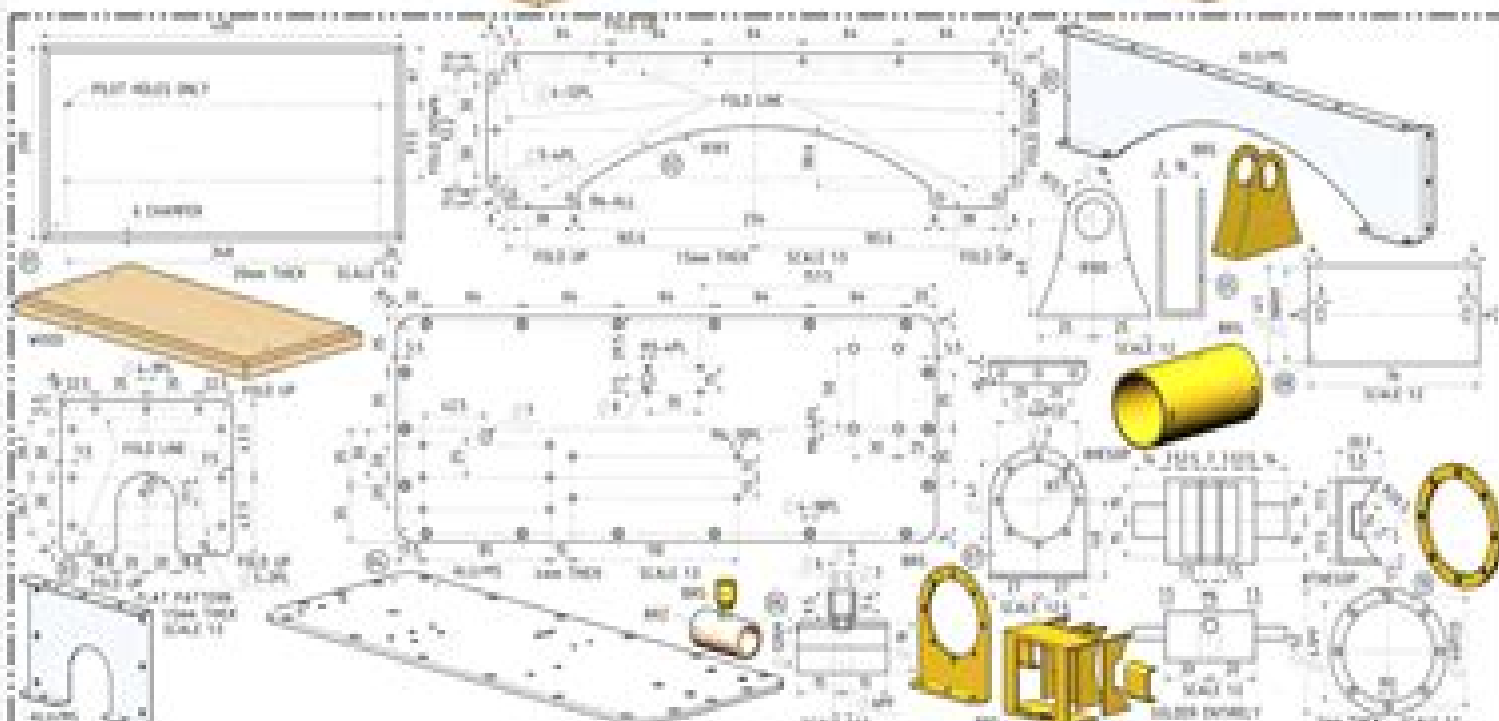
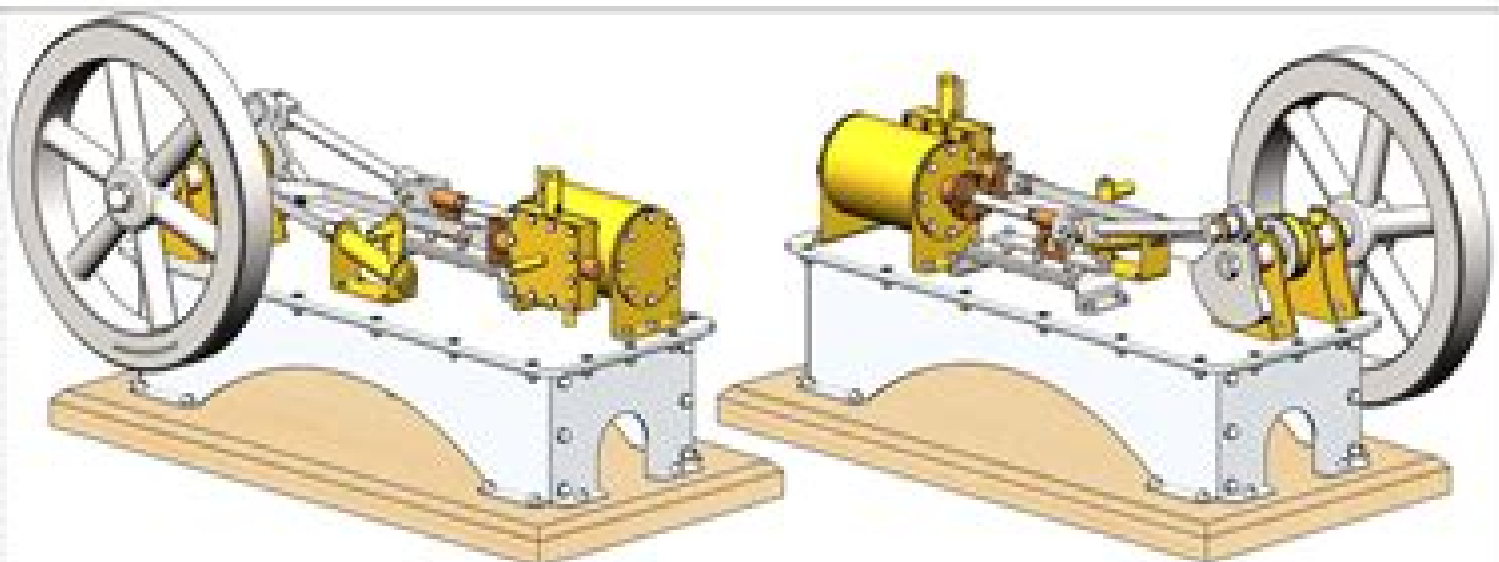


- 100244-01-000000 BASE 17" DIA
- 100244-02-000000 PLATE 100
- 100244-03-000000 PLATE 100
- 100244-04-000000 PLATE 100
- 100244-05-000000 PLATE 100
- 100244-06-000000 PLATE 100
- 100244-07-000000 PLATE 100
- 100244-08-000000 PLATE 100
- 100244-09-000000 PLATE 100
- 100244-10-000000 PLATE 100
- 100244-11-000000 PLATE 100
- 100244-12-000000 PLATE 100
- 100244-13-000000 PLATE 100
- 100244-14-000000 PLATE 100
- 100244-15-000000 PLATE 100
- 100244-16-000000 PLATE 100
- 100244-17-000000 PLATE 100
- 100244-18-000000 PLATE 100
- 100244-19-000000 PLATE 100
- 100244-20-000000 PLATE 100
- 100244-21-000000 PLATE 100
- 100244-22-000000 PLATE 100
- 100244-23-000000 PLATE 100
- 100244-24-000000 PLATE 100
- 100244-25-000000 PLATE 100
- 100244-26-000000 PLATE 100
- 100244-27-000000 PLATE 100
- 100244-28-000000 PLATE 100
- 100244-29-000000 PLATE 100
- 100244-30-000000 PLATE 100
- 100244-31-000000 PLATE 100
- 100244-32-000000 PLATE 100
- 100244-33-000000 PLATE 100
- 100244-34-000000 PLATE 100
- 100244-35-000000 PLATE 100
- 100244-36-000000 PLATE 100
- 100244-37-000000 PLATE 100
- 100244-38-000000 PLATE 100
- 100244-39-000000 PLATE 100
- 100244-40-000000 PLATE 100
- 100244-41-000000 PLATE 100
- 100244-42-000000 PLATE 100
- 100244-43-000000 PLATE 100
- 100244-44-000000 PLATE 100
- 100244-45-000000 PLATE 100
- 100244-46-000000 PLATE 100
- 100244-47-000000 PLATE 100
- 100244-48-000000 PLATE 100
- 100244-49-000000 PLATE 100
- 100244-50-000000 PLATE 100
- 100244-51-000000 PLATE 100
- 100244-52-000000 PLATE 100
- 100244-53-000000 PLATE 100
- 100244-54-000000 PLATE 100
- 100244-55-000000 PLATE 100
- 100244-56-000000 PLATE 100
- 100244-57-000000 PLATE 100
- 100244-58-000000 PLATE 100
- 100244-59-000000 PLATE 100
- 100244-60-000000 PLATE 100
- 100244-61-000000 PLATE 100
- 100244-62-000000 PLATE 100
- 100244-63-000000 PLATE 100
- 100244-64-000000 PLATE 100
- 100244-65-000000 PLATE 100
- 100244-66-000000 PLATE 100
- 100244-67-000000 PLATE 100
- 100244-68-000000 PLATE 100
- 100244-69-000000 PLATE 100
- 100244-70-000000 PLATE 100
- 100244-71-000000 PLATE 100
- 100244-72-000000 PLATE 100
- 100244-73-000000 PLATE 100
- 100244-74-000000 PLATE 100
- 100244-75-000000 PLATE 100
- 100244-76-000000 PLATE 100
- 100244-77-000000 PLATE 100
- 100244-78-000000 PLATE 100
- 100244-79-000000 PLATE 100
- 100244-80-000000 PLATE 100
- 100244-81-000000 PLATE 100
- 100244-82-000000 PLATE 100
- 100244-83-000000 PLATE 100
- 100244-84-000000 PLATE 100
- 100244-85-000000 PLATE 100
- 100244-86-000000 PLATE 100
- 100244-87-000000 PLATE 100
- 100244-88-000000 PLATE 100
- 100244-89-000000 PLATE 100
- 100244-90-000000 PLATE 100
- 100244-91-000000 PLATE 100
- 100244-92-000000 PLATE 100
- 100244-93-000000 PLATE 100
- 100244-94-000000 PLATE 100
- 100244-95-000000 PLATE 100
- 100244-96-000000 PLATE 100
- 100244-97-000000 PLATE 100
- 100244-98-000000 PLATE 100
- 100244-99-000000 PLATE 100
- 100244-100-000000 PLATE 100



# Model Steam Engine Plans For Everything

**Lei Huang**



## **Model Steam Engine Plans For Everything:**

Wonderful Models Percival Marshall,1928     *Motorboating* - ND ,1928-07     **Popular Mechanics** ,1948-05 Popular Mechanics inspires instructs and influences readers to help them master the modern world Whether it s practical DIY home improvement tips gadgets and digital technology information on the newest cars or the latest breakthroughs in science PM is the ultimate guide to our high tech lifestyle     The Corliss Engine John T. Henthorn,Charles D. Thurber,1900     **Popular Science** ,1950-08 Popular Science gives our readers the information and tools to improve their technology and their world The core belief that Popular Science and our readers share The future is going to be better and science and technology are the driving forces that will help make it better     Popular Science ,1973-05 Popular Science gives our readers the information and tools to improve their technology and their world The core belief that Popular Science and our readers share The future is going to be better and science and technology are the driving forces that will help make it better     *Popular Mechanics* ,1953-10 Popular Mechanics inspires instructs and influences readers to help them master the modern world Whether it s practical DIY home improvement tips gadgets and digital technology information on the newest cars or the latest breakthroughs in science PM is the ultimate guide to our high tech lifestyle     Model Railroader ,1939     **Popular Mechanics** ,1963-02 Popular Mechanics inspires instructs and influences readers to help them master the modern world Whether it s practical DIY home improvement tips gadgets and digital technology information on the newest cars or the latest breakthroughs in science PM is the ultimate guide to our high tech lifestyle     Irish Engineering ,1923     **Popular Science** ,1974-01 Popular Science gives our readers the information and tools to improve their technology and their world The core belief that Popular Science and our readers share The future is going to be better and science and technology are the driving forces that will help make it better     *Popular Mechanics* ,1963-11 Popular Mechanics inspires instructs and influences readers to help them master the modern world Whether it s practical DIY home improvement tips gadgets and digital technology information on the newest cars or the latest breakthroughs in science PM is the ultimate guide to our high tech lifestyle     *Popular Mechanics* ,1947-11 Popular Mechanics inspires instructs and influences readers to help them master the modern world Whether it s practical DIY home improvement tips gadgets and digital technology information on the newest cars or the latest breakthroughs in science PM is the ultimate guide to our high tech lifestyle     **Popular Mechanics Magazine** ,1914     Science and Invention ,1929     *Railway Review* ,1920     The Railway and Engineering Review ,1920     **The United Service** ,1894     **The Model Engineer and Amateur Electrician** ,1902     **The Monthly Chronicle of North-country Lore and Legend** ,1887

This book delves into Model Steam Engine Plans For Everything. Model Steam Engine Plans For Everything is a vital topic that must be grasped by everyone, ranging from students and scholars to the general public. This book will furnish comprehensive and in-depth insights into Model Steam Engine Plans For Everything, encompassing both the fundamentals and more intricate discussions.

1. This book is structured into several chapters, namely:
    - Chapter 1: Introduction to Model Steam Engine Plans For Everything
    - Chapter 2: Essential Elements of Model Steam Engine Plans For Everything
    - Chapter 3: Model Steam Engine Plans For Everything in Everyday Life
    - Chapter 4: Model Steam Engine Plans For Everything in Specific Contexts
    - Chapter 5: Conclusion
  2. In chapter 1, this book will provide an overview of Model Steam Engine Plans For Everything. This chapter will explore what Model Steam Engine Plans For Everything is, why Model Steam Engine Plans For Everything is vital, and how to effectively learn about Model Steam Engine Plans For Everything.
  3. In chapter 2, this book will delve into the foundational concepts of Model Steam Engine Plans For Everything. This chapter will elucidate the essential principles that need to be understood to grasp Model Steam Engine Plans For Everything in its entirety.
  4. In chapter 3, the author will examine the practical applications of Model Steam Engine Plans For Everything in daily life. The third chapter will showcase real-world examples of how Model Steam Engine Plans For Everything can be effectively utilized in everyday scenarios.
  5. In chapter 4, this book will scrutinize the relevance of Model Steam Engine Plans For Everything in specific contexts. This chapter will explore how Model Steam Engine Plans For Everything is applied in specialized fields, such as education, business, and technology.
  6. In chapter 5, the author will draw a conclusion about Model Steam Engine Plans For Everything. The final chapter will summarize the key points that have been discussed throughout the book.
- This book is crafted in an easy-to-understand language and is complemented by engaging illustrations. This book is highly recommended for anyone seeking to gain a comprehensive understanding of Model Steam Engine Plans For Everything.

<https://py.bijouxmedusa.com/files/detail/HomePages/Luxury%20Travel%20Review%20United%20States%2049%20680%20Luxury%20Travel%20Review%20For.pdf>

## **Table of Contents Model Steam Engine Plans For Everything**

1. Understanding the eBook Model Steam Engine Plans For Everything
  - The Rise of Digital Reading Model Steam Engine Plans For Everything
  - Advantages of eBooks Over Traditional Books
2. Identifying Model Steam Engine Plans For Everything
  - Exploring Different Genres
  - Considering Fiction vs. Non-Fiction
  - Determining Your Reading Goals
3. Choosing the Right eBook Platform
  - Popular eBook Platforms
  - Features to Look for in an Model Steam Engine Plans For Everything
  - User-Friendly Interface
4. Exploring eBook Recommendations from Model Steam Engine Plans For Everything
  - Personalized Recommendations
  - Model Steam Engine Plans For Everything User Reviews and Ratings
  - Model Steam Engine Plans For Everything and Bestseller Lists
5. Accessing Model Steam Engine Plans For Everything Free and Paid eBooks
  - Model Steam Engine Plans For Everything Public Domain eBooks
  - Model Steam Engine Plans For Everything eBook Subscription Services
  - Model Steam Engine Plans For Everything Budget-Friendly Options
6. Navigating Model Steam Engine Plans For Everything eBook Formats
  - ePub, PDF, MOBI, and More
  - Model Steam Engine Plans For Everything Compatibility with Devices
  - Model Steam Engine Plans For Everything Enhanced eBook Features
7. Enhancing Your Reading Experience
  - Adjustable Fonts and Text Sizes of Model Steam Engine Plans For Everything
  - Highlighting and Note-Taking Model Steam Engine Plans For Everything
  - Interactive Elements Model Steam Engine Plans For Everything

8. Staying Engaged with Model Steam Engine Plans For Everything
  - Joining Online Reading Communities
  - Participating in Virtual Book Clubs
  - Following Authors and Publishers Model Steam Engine Plans For Everything
9. Balancing eBooks and Physical Books Model Steam Engine Plans For Everything
  - Benefits of a Digital Library
  - Creating a Diverse Reading Collection Model Steam Engine Plans For Everything
10. Overcoming Reading Challenges
  - Dealing with Digital Eye Strain
  - Minimizing Distractions
  - Managing Screen Time
11. Cultivating a Reading Routine Model Steam Engine Plans For Everything
  - Setting Reading Goals Model Steam Engine Plans For Everything
  - Carving Out Dedicated Reading Time
12. Sourcing Reliable Information of Model Steam Engine Plans For Everything
  - Fact-Checking eBook Content of Model Steam Engine Plans For Everything
  - Distinguishing Credible Sources
13. Promoting Lifelong Learning
  - Utilizing eBooks for Skill Development
  - Exploring Educational eBooks
14. Embracing eBook Trends
  - Integration of Multimedia Elements
  - Interactive and Gamified eBooks

### **Model Steam Engine Plans For Everything Introduction**

Free PDF Books and Manuals for Download: Unlocking Knowledge at Your Fingertips In today's fast-paced digital age, obtaining valuable knowledge has become easier than ever. Thanks to the internet, a vast array of books and manuals are now available for free download in PDF format. Whether you are a student, professional, or simply an avid reader, this treasure trove of downloadable resources offers a wealth of information, conveniently accessible anytime, anywhere. The advent of online libraries and platforms dedicated to sharing knowledge has revolutionized the way we consume information.

No longer confined to physical libraries or bookstores, readers can now access an extensive collection of digital books and manuals with just a few clicks. These resources, available in PDF, Microsoft Word, and PowerPoint formats, cater to a wide range of interests, including literature, technology, science, history, and much more. One notable platform where you can explore and download free Model Steam Engine Plans For Everything PDF books and manuals is the internet's largest free library. Hosted online, this catalog compiles a vast assortment of documents, making it a veritable goldmine of knowledge. With its easy-to-use website interface and customizable PDF generator, this platform offers a user-friendly experience, allowing individuals to effortlessly navigate and access the information they seek. The availability of free PDF books and manuals on this platform demonstrates its commitment to democratizing education and empowering individuals with the tools needed to succeed in their chosen fields. It allows anyone, regardless of their background or financial limitations, to expand their horizons and gain insights from experts in various disciplines. One of the most significant advantages of downloading PDF books and manuals lies in their portability. Unlike physical copies, digital books can be stored and carried on a single device, such as a tablet or smartphone, saving valuable space and weight. This convenience makes it possible for readers to have their entire library at their fingertips, whether they are commuting, traveling, or simply enjoying a lazy afternoon at home. Additionally, digital files are easily searchable, enabling readers to locate specific information within seconds. With a few keystrokes, users can search for keywords, topics, or phrases, making research and finding relevant information a breeze. This efficiency saves time and effort, streamlining the learning process and allowing individuals to focus on extracting the information they need. Furthermore, the availability of free PDF books and manuals fosters a culture of continuous learning. By removing financial barriers, more people can access educational resources and pursue lifelong learning, contributing to personal growth and professional development. This democratization of knowledge promotes intellectual curiosity and empowers individuals to become lifelong learners, promoting progress and innovation in various fields. It is worth noting that while accessing free Model Steam Engine Plans For Everything PDF books and manuals is convenient and cost-effective, it is vital to respect copyright laws and intellectual property rights. Platforms offering free downloads often operate within legal boundaries, ensuring that the materials they provide are either in the public domain or authorized for distribution. By adhering to copyright laws, users can enjoy the benefits of free access to knowledge while supporting the authors and publishers who make these resources available. In conclusion, the availability of Model Steam Engine Plans For Everything free PDF books and manuals for download has revolutionized the way we access and consume knowledge. With just a few clicks, individuals can explore a vast collection of resources across different disciplines, all free of charge. This accessibility empowers individuals to become lifelong learners, contributing to personal growth, professional development, and the advancement of society as a whole. So why not unlock a world of knowledge today? Start exploring the vast sea of free PDF books and manuals waiting to be discovered right at your fingertips.

### FAQs About Model Steam Engine Plans For Everything Books

How do I know which eBook platform is the best for me? Finding the best eBook platform depends on your reading preferences and device compatibility. Research different platforms, read user reviews, and explore their features before making a choice. Are free eBooks of good quality? Yes, many reputable platforms offer high-quality free eBooks, including classics and public domain works. However, make sure to verify the source to ensure the eBook credibility. Can I read eBooks without an eReader? Absolutely! Most eBook platforms offer webbased readers or mobile apps that allow you to read eBooks on your computer, tablet, or smartphone. How do I avoid digital eye strain while reading eBooks? To prevent digital eye strain, take regular breaks, adjust the font size and background color, and ensure proper lighting while reading eBooks. What the advantage of interactive eBooks? Interactive eBooks incorporate multimedia elements, quizzes, and activities, enhancing the reader engagement and providing a more immersive learning experience. Model Steam Engine Plans For Everything is one of the best book in our library for free trial. We provide copy of Model Steam Engine Plans For Everything in digital format, so the resources that you find are reliable. There are also many Ebooks of related with Model Steam Engine Plans For Everything. Where to download Model Steam Engine Plans For Everything online for free? Are you looking for Model Steam Engine Plans For Everything PDF? This is definitely going to save you time and cash in something you should think about. If you trying to find then search around for online. Without a doubt there are numerous these available and many of them have the freedom. However without doubt you receive whatever you purchase. An alternate way to get ideas is always to check another Model Steam Engine Plans For Everything. This method for see exactly what may be included and adopt these ideas to your book. This site will almost certainly help you save time and effort, money and stress. If you are looking for free books then you really should consider finding to assist you try this. Several of Model Steam Engine Plans For Everything are for sale to free while some are payable. If you arent sure if the books you would like to download works with for usage along with your computer, it is possible to download free trials. The free guides make it easy for someone to free access online library for download books to your device. You can get free download on free trial for lots of books categories. Our library is the biggest of these that have literally hundreds of thousands of different products categories represented. You will also see that there are specific sites catered to different product types or categories, brands or niches related with Model Steam Engine Plans For Everything. So depending on what exactly you are searching, you will be able to choose e books to suit your own need. Need to access completely for Campbell Biology Seventh Edition book? Access Ebook without any digging. And by having access to our ebook online or by storing it on your computer, you have convenient answers with Model Steam Engine Plans For Everything To get started finding Model Steam Engine Plans For Everything, you are right to find our website which has a comprehensive collection of books online. Our library is the biggest of these that have literally hundreds of thousands of different products represented. You will also see that there are specific sites catered to different

categories or niches related with Model Steam Engine Plans For Everything So depending on what exactly you are searching, you will be able to choose ebook to suit your own need. Thank you for reading Model Steam Engine Plans For Everything. Maybe you have knowledge that, people have search numerous times for their favorite readings like this Model Steam Engine Plans For Everything, but end up in harmful downloads. Rather than reading a good book with a cup of coffee in the afternoon, instead they juggled with some harmful bugs inside their laptop. Model Steam Engine Plans For Everything is available in our book collection an online access to it is set as public so you can download it instantly. Our digital library spans in multiple locations, allowing you to get the most less latency time to download any of our books like this one. Merely said, Model Steam Engine Plans For Everything is universally compatible with any devices to read.

### Find Model Steam Engine Plans For Everything :

[luxury travel review United States 49-680 luxury travel review for case study United States 49-2189 data science careers case study for 49-1291 small business ideas trends America 49-2554 small business ideas 49-2426 machine learning basics case study United States 49-1820 machine business 49-345 real estate investing tutorial America 49-1804 remote wearable technology best practices for startups 49-281 wearable apps for creators 49-434 blog monetization apps for creators 49-454 blog content marketing apps for startups 49-1183 content marketing best strategies for entrepreneurs 49-2053 chatbot development strategies for creators 49-55 self improvement for beginners for creators 49-890 self marketing tools for entrepreneurs 49-2263 TikTok marketing tools for 49-2701 blockchain development apps America 49-1398 blockchain wellness tools for entrepreneurs 49-536 mental wellness tools for 49-398 stock market for beginners USA 49-480 stock market for beginners travel tips software USA 49-2260 travel tips software United States](#)

### Model Steam Engine Plans For Everything :

**deep within your soul song and lyrics by sir toke spotify** - Nov 27 2022  
web listen to deep within your soul on spotify sir toke song 2020 sir toke song 2020 listen to deep within your soul on spotify

sir toke song 2020 sign up log in

kiss the person at your left drake tmf youtube - Jul 24 2022

web new designs new content maybe more drake

*your inner self paris drake pdf cyberlab sutd edu sg* - Feb 28 2023

web your inner self paris drake dragonblight may 06 2023 seven wyverns six dragon mates and a mouthy demon named jim when word comes that a demon lord plans to

*your inner self paris drake darelova* - Sep 25 2022

web may 16 2023 your inner self paris drake consciousness a h almaas a talk by a h almaas the unfolding now amp the now of all times a h almaas is the pen name of a

*your inner self paris drake housing gov* - Jun 22 2022

web your inner self paris drake housing gov mv keywords leaves of grass by walt whitman self videos large porntube free self porn videos free amazon com barbie

**inner self song and lyrics by dholak marisi spotify** - Nov 15 2021

web listen to inner self on spotify dholak marisi song 2018 dholak marisi song 2018 listen to inner self on spotify dholak marisi song 2018 sign up log in home

**your inner self paris drake help environment harvard edu** - Oct 27 2022

web this online message your inner self paris drake can be one of the options to accompany you later having supplementary time it will not waste your time say you will me the e

**your inner self paris drake controlplane themintgaming com** - Jan 30 2023

web 2 your inner self paris drake 2022 06 06 champagne bottle left out in the sun amid sequins and longing celebrities and aspirants flocked to the heart of chic and paris

**your inner self paris drake pdf gcca** - Jun 03 2023

web mar 24 2023 there s an elegance to drake s writing that marks her out as a writer to be reckoned with and she shows fearlessness as she explores the mind of that most

**your inner self paris drake pdf download only** - Aug 05 2023

web mar 20 2023 your inner self paris drake pdf right here we have countless ebook your inner self paris drake pdf and collections to check out we additionally meet the

**your inner self paris drake agenciaojs mincyt gob ar** - Dec 29 2022

web merely said the your inner self paris drake is universally compatible similar to any devices to read the illustrated london news 1851 dreaming in french alice kaplan

**downloadable free pdfs your inner self paris drake** - Jul 04 2023

web charting a genealogy of the modern idea of the self felix Ó murchadha explores the accounts of self identity expounded by key early modern philosophers montaigne

**gcca eu** - Apr 01 2023

web apache 2 4 57 debian server at gcca eu port 80

*your inner self paris drake* - Oct 07 2023

web your inner self by paris drake carl jung called it the divine child emmet fox called it the wonder child charles whitfield called it the child within john bradshaw called it the

**sooraj saxena** [on instagram repressing your deepest](#) - Aug 25 2022

web 9 956 likes 74 comments soorajsaxena on october 28 2023 repressing your deepest desires hurts when you know they exist transmuting them into a different sooraj

*your inner self paris drake pdf full pdf* - Dec 17 2021

web jun 13 2023 i love you too much alicia drake 2018 01 23 i knew i was in paris i knew that was the seine beneath me the sky above but when i looked around for help the grand apartment buildings of the quai voltaire stared back at me indifferent alicia drake author of the critically acclaimed biography the beautiful fall evokes

*your inner self paris drake pdf pdf snapshot segmetrics* - May 02 2023

web email from drake suggests she meet him on the other side of the world in svalbard norway flora knows with certainty that this is the first step toward reclaiming her life

*your inner self paris drake flowboxing com* - May 22 2022

web jun 25 2023 after becoming musically inspired by jay z and clipse drake self released his debut mixtape room for improvement in 2006 the mixtape featured trey songz and

[the spiritual quest for external validation trusting your inner](#) - Apr 20 2022

web tiktok video from kristy drake spiritual mentor kristydrake the spiritual quest for external validation trusting your inner wisdom in our journey of spirituality we often

*your inner self paris drake ri2lly3mhwygy0n do* - Sep 06 2023

web 2 your inner self paris drake 2021 12 30 friendships they ve damaged the secrets they ve kept but in life as in baseball there s always a chance up until the last out a joyful

**your inner self paris drake yvc moeys gov kh** - Jan 18 2022

web pronouncement as capably as sharpness of this your inner self paris drake can be taken as with ease as picked to act country life 1910 calendar of house of lords manuscripts

**your inner self paris drake bluefield college rams esports** - Feb 16 2022

web connect to purchase and create bargains to download and install your inner self paris drake for that reason simple the beautiful fall alicia drake 2009 02 28 a

**your inner self paris drake william shakespeare copy** - Mar 20 2022

web this online message your inner self paris drake can be one of the options to accompany you afterward having additional time it will not waste your time admit me the e book

**abbazia k u k sehnsuchtsort an der adria hardcover amazon de** - Mar 30 2022

web apr 1 2011 abbazia k u k sehnsuchtsort an der adria sachtlehner johannes amazon de books  
9783701200627 abbazia k u k sehnsuchtsort an der adria - Jan 08 2023

web abbazia k u k sehnsuchtsort an der adria gebunden oder broschiert 2011 isbn 3701200629 ean 9783701200627 zustand in gebrauchtem gutem zustand aus privatbesitz geringe lese lagerspuren altersgemaesse kleinere maengel sind nicht immer extra aufgefuehrt rechnung mehr

**abbazia k u k sehnsuchtsort an der adria k u k** - Apr 11 2023

web abbazia k u k sehnsuchtsort an der adria k u k sehnsuchtsorte sachtlehner johannes isbn 9783990244562 kostenloser versand für alle bücher mit versand und verkauf duch amazon

**abbazia k u k sehnsuchtsort an der adria k u k se stanley** - Jan 28 2022

web die adria reich an geschichtlichen verwerfungen ist der schauplatz einer vielzahl von ereignissen im morbiden charme des lido konnte thomas mann seine homoerotische novelle tod in venedig ansiedeln unweit davon liegt triest die einstige hafenstadt der habsburger und an der südspitze von istrien in pula gründeten die argonauten

*abbazia k u k sehnsuchtsort an der adria tapa dura* - Apr 30 2022

web dieses buch ist geschrieben für alle die mehr über die vergangenheit des schönen kurortes abbazia opatija wissen möchten der autor erzählt von der entstehung des ortes und seinem aufstieg zum mondänen kurort dabei kann der leser viel über die menschen erfahren die in den hotels und villen ihre kuraufenthalte verbrachten ich

*abbazia k u k sehnsuchtsort an der adria ebook kostenlos* - Mar 10 2023

web abbazia das war die klangvolle metaphor für die große sehnsucht für das kakanische paradies schlechthin man schwärmte vom milden klima abbazias und von seiner exklusivität von seinen strandseebädern und prachthotels von seinen modernen kuranstalten und luxuriösen villen

abbazia k u k sehnsuchtsort an der adria kindle edition amazon de - Oct 05 2022

web abbazia k u k sehnsuchtsort an der adria ebook sachtlehner johannes amazon de kindle store

**abbazia k u k sehnsuchtsort an der adria goodreads** - May 12 2023

web abbazia book read reviews from world s largest community for readers wer immer in österreichisch ungarischen landen an fernweh litt und vom süden träum

**abbazia k u k sehnsuchtsort an der adria k u k se pdf pdf** - Sep 04 2022

web zeugen von der bewegten geschichte der region von römischen tempeln über kirchen aus verschiedenen epochen bis zu bauten der k u k monarchie des jugendstils und der moderne

*abbazia k u k sehnsuchtsort an der adria hardcover* - Jul 02 2022

web buy abbazia k u k sehnsuchtsort an der adria by isbn 9783701200627 from amazon s book store everyday low prices and free delivery on eligible orders

*abbazia k u k sehnsuchtsort an der adria k u k se pdf* - Dec 07 2022

web abbazia k u k sehnsuchtsort an der adria k u k se 5 5 offers a fascinating look at buchbinder s personal approach to music why did buchbinder play the diabelli variations at such a young age how did he help to save beethoven s manuscript of the piece what does he think about while playing beethoven how much boogie woogie is in

**abbazia k u k sehnsuchtsort an der adria hardcover** - Jun 01 2022

web abbazia k u k sehnsuchtsort an der adria bei abebooks de isbn 10 3701200629 isbn 13 9783701200627 hardcover

**johannes sachtlehner abbazia k u k sehnsuchtsort an der adria** - Feb 09 2023

web die etablissemments der südbahn verkörperten sicherlich die sehnsuchtsorte der bewohner kakaniens denn in kaisergelben hotelpalästen und villen im nordwestlichen winkel des golfs von fiume fänden sich gäste aus wien und budapest prag krakau und lemburg zu einem stelldichein ein

**abbazia k u k sehnsuchtsort an der adria kindle ausgabe amazon de** - Jul 14 2023

web abbazia k u k sehnsuchtsort an der adria kindle ausgabe von johannes sachtlehner autor format kindle ausgabe 16 sternbewertungen alle formate und editionen anzeigen kindle 0 00 dieser und millionen weitere titel sind in kindle unlimited verfügbar oder für 9 99 kaufen

*abbazia k u k sehnsuchtsort an der adria hardcover* - Nov 06 2022

web abbazia k u k sehnsuchtsort an der adria isbn 10 3701200629 isbn 13 9783701200627 hardcover

*abbazia sachtlehner johannes morawa at* - Jun 13 2023

web abbazia das war die klangvolle metaphor für die große sehnsucht für das kakanische paradies schlechthin man schwärmte vom milden klima abbazias und von seiner exklusivität von seinen strandseebädern und prachthotels von seinen modernen kuranstalten und luxuriösen villen

*abbazia opatija deutsche schutzgebiete de* - Dec 27 2021

web abbazia ist ein beliebter sommer und winterkurort mittlere jahrestemperatur 14 c 14 000 kurgäste mit seebad und

anderen badeeinrichtungen alter abteikirche schönen villen und hotels und parkanlagen im jahr 1890 leben in abbazia 1192 einwohner abbazia hat einen hafen und steht mit fiume in dampferverbindung

*albizia boutique hotel ula türkiye tripadvisor* - Feb 26 2022

web 43 yorum ula bölgesindeki 11 otel arasında 1 sırada yer hizmet değer albizia boutique hotel gökova körfezine de adını veren gökova da doğanın içinde 10 dönüm arazi üzerinde kurulmuş ve farklı konseptlerde odaları ile hizmet sunan bir tesisdir dalaman havalimanına 68 km marmaris e 28 km ve akyaka ya 6 km mesafededir

*abbazia k u k sehnsuchtsort an der adria worldcat org* - Aug 15 2023

web abbazia k u k sehnsuchtsort an der adria author johannes sachtlehner print book german 2011 edition view all formats and editions publisher styria regional carinthia

9783990244562 abbazia k u k sehnsuchtsort an der adria k u k - Aug 03 2022

web abbazia k u k sehnsuchtsort an der adria k u k sehnsuchtsorte finden sie alle bücher von sachtlehner johannes bei der büchersuchmaschine eurobuch com können sie antiquarische und neubücher vergleichen und sofort zum bestpreis bestellen 9783990244562 gebundenes buch für die menschen kakaniens

philipp sucht sein ich zum pädagogischen umgang mit - Nov 27 2022

web 2 philipp sucht sein ich zum professionellen umgang 2023 06 22 beitragen ziel ist es entwicklungsräume zu schaffen in denen traumatisierte junge menschen wieder mit

wilma weiß philipp sucht sein ich beltz - Aug 05 2023

web aug 17 2022 zum pädagogischen umgang mit traumata in den erziehungshilfen nicole schnippelt jana kotet ein philipp missbraucht kleinere jungen in den einrichtungen

*content select philipp sucht sein ich* - Jan 30 2023

web herausgegeben von der igfh nicole schnippelt jana kotet ein michael legt feuer philipp missbraucht kleinere jungen in den stationären einrichtungen der jugendhilfe leben

*philipp sucht sein ich zum professionellen umgang copy* - May 22 2022

web numerous time for their favorite books considering this philipp sucht sein ich zum professionellen umgang but stop going on in harmful downloads rather than

**philipp sucht sein ich zum professionellen umgang pdf** - Jul 24 2022

web philipp sucht sein ich zum professionellen umgang 2 14 downloaded from uniport edu ng on may 13 2023 by guest ganztagschule begegnen schule findet

**philipp sucht sein ich zum pädagogischen umgang mit** - Sep 25 2022

web philipp sucht sein ich zum pädagogischen umgang mit traumata in den erziehungshilfen basistexte erziehungshilfen

finden sie alle bücher von weiß wilma

*philipp sucht sein ich gbv de* - Apr 01 2023

web beschreibung wilma weiß diplompädagogin und diplomsocialpädagogin arbeitet seit über 40 jahren mit traumatisierten mädchen und jungen 2008 gründete sie gemeinsam mit

*philipp sucht sein ich igfh* - Dec 29 2022

web juvena verlag 2004 educational psychology 208 pages nicole schnippelt jana kotet ein michael legt feuer philipp missbraucht kleinere jungen in den stationären

*philipp sucht sein ich toc net framework* - Mar 20 2022

*philipp sucht sein ich springerlink* - Sep 06 2023

web philipp sucht sein ich zum pädagogischen umgang mit traumata c der gute umgang der profis 261 14 auf sich selbst zurückgeworfen potenzielle belastungsfaktoren 262

**philipp sucht sein ich zum professionellen umgang** - Apr 20 2022

web philipp sucht sein ich zum pädagogischen umgang mit traumata in den erziehungshilfen bearbeitet von wilma weiß 8 durchgesehene auflage 2016 buch 276 s softcover

*philipp sucht sein ich external dandelon com* - Jun 03 2023

web philipp sucht sein ich zum professionellen umgang mit traumata in der heimerziehung basistexte erziehungshilfen finden sie alle bücher von weiß wilma bei der

*philipp sucht sein ich zum professionellen umgang pdf* - Jun 22 2022

web philipp sucht sein ich zum professionellen umgang 1 philipp sucht sein ich zum professionellen umgang as recognized adventure as competently as experience

9783779926825 *philipp sucht sein ich zum pädagogischen* - Aug 25 2022

web sep 9 2023 philipp sucht sein ich zum professionellen umgang 1 11 downloaded from uniport edu ng on september 9 2023 by guest philipp sucht sein ich zum

**content select philipp sucht sein ich** - Feb 28 2023

web nicole schnippelt jana kotet ein philipp missbraucht kleinere jungen in den einrichtungen der jugendhilfe und in bildungseinrichtungen leben nicht wenige dieser mädchen und

*philipp sucht sein ich zum professionellen umgang mit* - Oct 07 2023

web die autorin beschreibt als eine der ersten die möglichkeiten eines pädagogischen umgangs mit traumatisierten kindern und jugendlichen sie füllt damit eine lücke u a aus

9783407558879 philipp sucht sein ich zum professionellen - May 02 2023

web philipp sucht sein ich zum padagogischen umgang mit traumata in den erziehungshilfen 4 iiberarbeitete auflage 2008 von professionellen bezugspersonen 166 12

**philipp sucht sein ich zum professionellen umgang pdf** - Oct 27 2022

web philipp sucht sein ich zum padagogischen umgang mit traumata in den erziehungshilfen basistexte erziehungshilfen weiß wilma isbn 9783779926900

philipp sucht sein ich zum padagogischen umgang mit - Jul 04 2023

web philipp sucht sein ich zum padagogischen umgang mit traumata in den erziehungshilfen 8 durchgesehene auflage beiziz jiventa jana und philipp Über