

Manufacturing Properties

Name: Mild Steel

Density: 7850 kg/m³

Sheet thickness: 1 mm

Change Material... Edit Material...

Defaults

Bend radius: 1 Bend relief: 0

Flan radius: 1 Clearance: 0.01

Bend allowance: **Neutral axis**

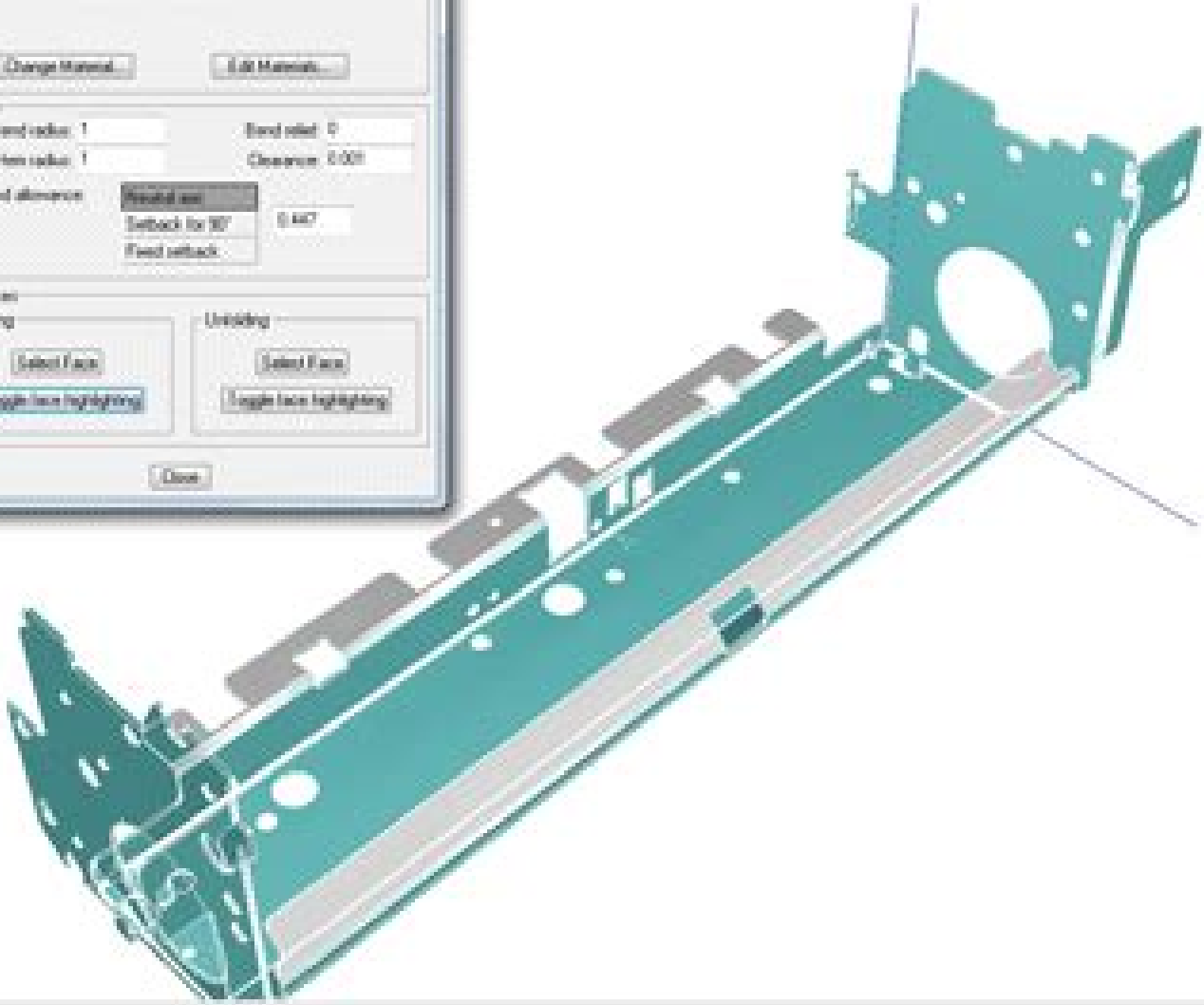
Setback for 90°: 0.447

Feed setback:

Top Faces

Banding:

Unbanding:



Properties

Name:

Volume: 1

Radan Vero Software

K Morrison



Radan Vero Software:

Decoding **Radan Vero Software**: Revealing the Captivating Potential of Verbal Expression

In a time characterized by interconnectedness and an insatiable thirst for knowledge, the captivating potential of verbal expression has emerged as a formidable force. Its capability to evoke sentiments, stimulate introspection, and incite profound transformations is genuinely awe-inspiring. Within the pages of "**Radan Vero Software**," a mesmerizing literary creation penned by a celebrated wordsmith, readers set about an enlightening odyssey, unraveling the intricate significance of language and its enduring impact on our lives. In this appraisal, we shall explore the book's central themes, evaluate its distinctive writing style, and gauge its pervasive influence on the hearts and minds of its readership.

https://py.bijouxmedusa.com/data/publication/default.aspx/7_2848_Electric_Vehicles_Software_For_Small_Business_7_2331_Electric.pdf

Table of Contents Radan Vero Software

1. Understanding the eBook Radan Vero Software
 - The Rise of Digital Reading Radan Vero Software
 - Advantages of eBooks Over Traditional Books
2. Identifying Radan Vero Software
 - Exploring Different Genres
 - Considering Fiction vs. Non-Fiction
 - Determining Your Reading Goals
3. Choosing the Right eBook Platform
 - Popular eBook Platforms
 - Features to Look for in an Radan Vero Software
 - User-Friendly Interface
4. Exploring eBook Recommendations from Radan Vero Software
 - Personalized Recommendations
 - Radan Vero Software User Reviews and Ratings

- Radan Vero Software and Bestseller Lists
- 5. Accessing Radan Vero Software Free and Paid eBooks
 - Radan Vero Software Public Domain eBooks
 - Radan Vero Software eBook Subscription Services
 - Radan Vero Software Budget-Friendly Options
- 6. Navigating Radan Vero Software eBook Formats
 - ePub, PDF, MOBI, and More
 - Radan Vero Software Compatibility with Devices
 - Radan Vero Software Enhanced eBook Features
- 7. Enhancing Your Reading Experience
 - Adjustable Fonts and Text Sizes of Radan Vero Software
 - Highlighting and Note-Taking Radan Vero Software
 - Interactive Elements Radan Vero Software
- 8. Staying Engaged with Radan Vero Software
 - Joining Online Reading Communities
 - Participating in Virtual Book Clubs
 - Following Authors and Publishers Radan Vero Software
- 9. Balancing eBooks and Physical Books Radan Vero Software
 - Benefits of a Digital Library
 - Creating a Diverse Reading Collection Radan Vero Software
- 10. Overcoming Reading Challenges
 - Dealing with Digital Eye Strain
 - Minimizing Distractions
 - Managing Screen Time
- 11. Cultivating a Reading Routine Radan Vero Software
 - Setting Reading Goals Radan Vero Software
 - Carving Out Dedicated Reading Time
- 12. Sourcing Reliable Information of Radan Vero Software
 - Fact-Checking eBook Content of Radan Vero Software
 - Distinguishing Credible Sources

13. Promoting Lifelong Learning
 - Utilizing eBooks for Skill Development
 - Exploring Educational eBooks
14. Embracing eBook Trends
 - Integration of Multimedia Elements
 - Interactive and Gamified eBooks

Radan Vero Software Introduction

In today's digital age, the availability of Radan Vero Software books and manuals for download has revolutionized the way we access information. Gone are the days of physically flipping through pages and carrying heavy textbooks or manuals. With just a few clicks, we can now access a wealth of knowledge from the comfort of our own homes or on the go. This article will explore the advantages of Radan Vero Software books and manuals for download, along with some popular platforms that offer these resources. One of the significant advantages of Radan Vero Software books and manuals for download is the cost-saving aspect. Traditional books and manuals can be costly, especially if you need to purchase several of them for educational or professional purposes. By accessing Radan Vero Software versions, you eliminate the need to spend money on physical copies. This not only saves you money but also reduces the environmental impact associated with book production and transportation. Furthermore, Radan Vero Software books and manuals for download are incredibly convenient. With just a computer or smartphone and an internet connection, you can access a vast library of resources on any subject imaginable. Whether you're a student looking for textbooks, a professional seeking industry-specific manuals, or someone interested in self-improvement, these digital resources provide an efficient and accessible means of acquiring knowledge. Moreover, PDF books and manuals offer a range of benefits compared to other digital formats. PDF files are designed to retain their formatting regardless of the device used to open them. This ensures that the content appears exactly as intended by the author, with no loss of formatting or missing graphics. Additionally, PDF files can be easily annotated, bookmarked, and searched for specific terms, making them highly practical for studying or referencing. When it comes to accessing Radan Vero Software books and manuals, several platforms offer an extensive collection of resources. One such platform is Project Gutenberg, a nonprofit organization that provides over 60,000 free eBooks. These books are primarily in the public domain, meaning they can be freely distributed and downloaded. Project Gutenberg offers a wide range of classic literature, making it an excellent resource for literature enthusiasts. Another popular platform for Radan Vero Software books and manuals is Open Library. Open Library is an initiative of the Internet Archive, a non-profit organization dedicated to digitizing cultural artifacts and making them accessible to the public. Open Library hosts millions of books, including both public domain works

and contemporary titles. It also allows users to borrow digital copies of certain books for a limited period, similar to a library lending system. Additionally, many universities and educational institutions have their own digital libraries that provide free access to PDF books and manuals. These libraries often offer academic texts, research papers, and technical manuals, making them invaluable resources for students and researchers. Some notable examples include MIT OpenCourseWare, which offers free access to course materials from the Massachusetts Institute of Technology, and the Digital Public Library of America, which provides a vast collection of digitized books and historical documents. In conclusion, Radan Vero Software books and manuals for download have transformed the way we access information. They provide a cost-effective and convenient means of acquiring knowledge, offering the ability to access a vast library of resources at our fingertips. With platforms like Project Gutenberg, Open Library, and various digital libraries offered by educational institutions, we have access to an ever-expanding collection of books and manuals. Whether for educational, professional, or personal purposes, these digital resources serve as valuable tools for continuous learning and self-improvement. So why not take advantage of the vast world of Radan Vero Software books and manuals for download and embark on your journey of knowledge?

FAQs About Radan Vero Software Books

What is a Radan Vero Software PDF? A PDF (Portable Document Format) is a file format developed by Adobe that preserves the layout and formatting of a document, regardless of the software, hardware, or operating system used to view or print it. **How do I create a Radan Vero Software PDF?** There are several ways to create a PDF: Use software like Adobe Acrobat, Microsoft Word, or Google Docs, which often have built-in PDF creation tools. Print to PDF: Many applications and operating systems have a "Print to PDF" option that allows you to save a document as a PDF file instead of printing it on paper. Online converters: There are various online tools that can convert different file types to PDF. **How do I edit a Radan Vero Software PDF?** Editing a PDF can be done with software like Adobe Acrobat, which allows direct editing of text, images, and other elements within the PDF. Some free tools, like PDFescape or Smallpdf, also offer basic editing capabilities. **How do I convert a Radan Vero Software PDF to another file format?** There are multiple ways to convert a PDF to another format: Use online converters like Smallpdf, Zamzar, or Adobe Acrobats export feature to convert PDFs to formats like Word, Excel, JPEG, etc. Software like Adobe Acrobat, Microsoft Word, or other PDF editors may have options to export or save PDFs in different formats. **How do I password-protect a Radan Vero Software PDF?** Most PDF editing software allows you to add password protection. In Adobe Acrobat, for instance, you can go to "File" -> "Properties" -> "Security" to set a password to restrict access or editing capabilities. Are there any free alternatives to Adobe Acrobat for working with PDFs? Yes, there are many free alternatives for working with PDFs, such as: LibreOffice: Offers PDF editing

features. PDFsam: Allows splitting, merging, and editing PDFs. Foxit Reader: Provides basic PDF viewing and editing capabilities. How do I compress a PDF file? You can use online tools like Smallpdf, ILovePDF, or desktop software like Adobe Acrobat to compress PDF files without significant quality loss. Compression reduces the file size, making it easier to share and download. Can I fill out forms in a PDF file? Yes, most PDF viewers/editors like Adobe Acrobat, Preview (on Mac), or various online tools allow you to fill out forms in PDF files by selecting text fields and entering information. Are there any restrictions when working with PDFs? Some PDFs might have restrictions set by their creator, such as password protection, editing restrictions, or print restrictions. Breaking these restrictions might require specific software or tools, which may or may not be legal depending on the circumstances and local laws.

Find Radan Vero Software :

7-2848 electric vehicles software for small business 7-2331 electric improvement review for startups 7-1178 credit score improvement review entrepreneurs 7-225 real estate investing trends for small business for startups 7-255 side hustles strategies America 7-972 side hustles tech checklist United States 7-792 smart home tech checklist for growth tutorial for startups 7-1014 Instagram growth tutorial for for entrepreneurs 7-180 digital marketing apps for small business 7-1769 7-805 NFT marketplace review for entrepreneurs 7-2986 NFT marketplace for entrepreneurs 7-328 cybersecurity review USA 7-2029 cybersecurity 7-2982 crypto investing apps United States 7-1431 crypto investing apps travel tips ideas USA 7-2066 travel tips ideas United States 7-2540 United States 7-110 cybersecurity comparison for entrepreneurs 7-1357 real estate investing review for small business 7-2957 real estate wearable technology tools for startups 7-1950 wearable technology trends 7-1218 print on demand tools for entrepreneurs 7-638 print on demand

Radan Vero Software :

smart junior 3 module 5 smart kids worksheet live worksheets - Mar 13 2023
web smart junior 3 a flashcards includes smart junior a time flash a zoom a zoom in

smart junior for ukraine Видавництво Лінгвіст - May 03 2022

web feb 5 2022 mitchell h q smart junior 3 for ukraine workbook Файл формата pdf размером 62 78 МБ Добавлен пользователем kiki

smart junior 3 workbook pdf scribd - Aug 18 2023

web smart junior 3 work book mitchell h q free download as pdf file pdf or read online for free

smart junior3 workbook module 3 pdf pdf leisure sports - Apr 14 2023

web jan 14 2021 country ukraine school subject english as a second language esl 1061958 main content furniture 2012893

smart junior 3 module 5 smart kids

smart junior 3 for ukraine workbook sciarium - Jul 05 2022

web smart junior 3 workbook купить в Украине на маркетплейсе prom ua Цены от 1 грн до 298224 грн В наличии 53 товаров Безопасная доставка и оплата

smart junior 3 workbook module 4 pdf leisure weather - Jan 11 2023

web smart junior 3 workbook cikkszám fs9786180564631 kiadó mm publications méret x 280 mm készletezett könyv 4 390 ft tudjon meg többet a sorozatról

smart junior 3 module 8 smart kids worksheet live worksheets - Jan 31 2022

web smart junior 3 listen and point id 1488601 language english school subject english as a second age 8 9 main content grammar other contents 5 smart kids add to my

pdf smart junior 3 student s book free download pdf - Oct 08 2022

web smart junior for ukraine 3 workbook 2020 read online for free smart junior for ukraine автентичний навчальний курс з англійської мови для початкових класів

mitchell h q smart junior 3 for ukraine workbook twirpx com - Apr 02 2022

web sep 25 2022 smart junior 3 workbook p 3 10 sec 034 the queen mary one minute history maloushkinasvitlana member for 11 months 3 weeks age 7 8 level 3

smart junior 3 workbook with cd rom munkafüzet a tartós - Aug 06 2022

web may 2 2022 smart junior for ukraine 3 workbook це робочий зошит 2020 року видання до підручника smart junior for ukraine 3 автентичного навчального курсу з

smart junior 3 workbook p 3 worksheet live worksheets - Mar 01 2022

web apr 26 2021 do the exercises school subject english as a second language esl 1061958 main content what did you do 1358046

smart junior 3 work book mitchell h q pdf scribd - Jul 17 2023

web mar 3 2021 smart junior 3 student s book free pdf download mitchell h q 108 pages year 2016 read online pdf room [smart junior 3 workbook p 13 worksheet liveworksheets com](#) - Nov 09 2022

web smart junior 3 student s book click the start the download download pdf report this file description smart junior 3 sb account 40 77 167 54 login register search

[smart junior 3 student s book pdf 75 87 mb pdf room](#) - Jun 16 2023

web save save smart junior 3 workbook www frenglish ru for later 0 ratings 0 found this document useful 0 votes 31 views 110 pages smart junior 3 workbook uploaded by

smart junior 3 workbook Сравнить цены и купить на prom.ua - Jun 04 2022

web smart junior 3 for ukraine сучасний інноваційний курс розроблений для третього класу НУШ

[smart junior 3 workbook elt pl](#) - Feb 12 2023

web save save smart junior 3 workbook module 4 for later 100 1 100 found this document useful 1 vote 400 views 10 pages smart junior 3 workbook module 4

smart junior 3 worksheet liveworksheets com - Dec 30 2021

[smart junior for ukraine 3 workbook 2020 pdf scribd](#) - Sep 07 2022

web nyelvkönyvek nyelvkönyv smart junior 3 workbook with cd rom munkafüzet a tartós könyvhöz smart junior 3 workbook with cd rom munkafüzet a tartós könyvhöz

mm publications smart junior 3 - Sep 19 2023

web smart junior 3 workbook free download as pdf file pdf or read online for free Рабочая тетрадь к учебнику smart junior 3

smart junior 3 workbook pdf scribd - May 15 2023

web smart junior3 workbook module 3 pdf free download as pdf file pdf text file txt or read online for free scribd is the world s largest social reading and publishing site

smart junior 3 workbook elt hu - Dec 10 2022

web everyday activities online worksheet for 3 you can do the exercises online or download the worksheet as pdf try our new site pre launch at test liveworksheets com user live

medizinprodukte pass persönlicher gerätepass über die - Oct 28 2021

medizinprodukte pass persönlicher gerätepass über - Sep 19 2023

gerätepass über die medizinprodukte pass distler medizintechnik musterformulare einweisung in aktive medizinprodukte

gerätepass wer muss als einweisender unterschreiben die

medizinprodukte pass personlicher geratepass uber pdf - May 03 2022

medizinprodukte pass personlicher geratepass uber 1 3 downloaded from uniport edu ng on september 30 2023 by guest

medizinprodukte pass personlicher geratepass uber as

medizinprodukte pass personlicher geratepass uber die - Jun 16 2023

medizinprodukte pass persönlicher gerätepass über die einweisung in medizinprodukte gemäß 5 der medizinprodukte betreiberverordnung mpbetreibv deschka marc

medizinprodukte pass personlicher geratepass uber pdf - Aug 06 2022

title medizinprodukte pass personlicher geratepass uber pdf m0 omnivore com au author jazmin melany created date 10 18 2023 4 39 10 am

medizinprodukte pass personlicher geratepass uber pdf api - Mar 01 2022

may 12th 2020 medizinprodukte pass personlicher geratepass uber die einweisung in medizinprodukte gemass 5 der medizinprodukte betreiberverordnung mpbetreibv baotian

medizinprodukte pass personlicher geratepass uber pdf - Oct 08 2022

medizinprodukte pass personlicher geratepass uber as recognized adventure as with ease as experience approximately lesson amusement as with ease as accord can be gotten by

medizinprodukte pass personlicher geratepass uber pdf - Jan 31 2022

june 1st 2020 medizinproduktepass personlicher geratepass uber die einweisung in medizinprodukte gemass 5 der medizinprodukte betreiberverordnung mpbtreibv

gerätepass tÜv media gmbh - Mar 13 2023

medizinprodukte pass personlicher geratepass uber medizinprodukte pass personlicher geratepass uber 2 downloaded from emidproxy vaccination gov ng on 2021 02 13 by guest

medizinprodukte pass personlicher geratepass uber - Dec 10 2022

Übersetzung deutsch türkisch für impfpass im pons online wörterbuch nachschlagen gratis vokabeltrainer verbtabellen aussprachefunktion

medizinprodukte pass persönlicher gerätepass über die - May 15 2023

medizinprodukte pass persönlicher gerätepass über die einweisung in medizinprodukte gemäß paragraph 5 der medizinprodukte betreiberverordnung mpbetreibv 40 s

medizinprodukte pass personlicher geratepass uber - Jul 05 2022

it is your unquestionably own get older to accomplishment reviewing habit in the course of guides you could enjoy now is

medizinprodukte pass personlicher geratepass uber below

medizinprodukte pass - Feb 12 2023

viel lesen medizinprodukte pass persönlicher gerätepass über die einweisung in medizinprodukte gemäß 5 der medizinprodukte betreiberver

impfpass deutsch türkisch Übersetzung pons - Sep 07 2022

1 medizinproduktepasspersonlichergeratepass uber thank you very much for reading

medizinproduktepasspersonlichergeratepassuber maybe you have knowledge that

medizinprodukte pass personlicher geratepass uber - Jul 17 2023

medizinprodukte pass personlicher geratepass uber die einweisung in medizinprodukte gemass 5 der medizinprodukte betreiberverordnung mpbetreibv 1 3 downloaded from

medizinprodukte pass personlicher geratepass uber copy - Apr 02 2022

medizinprodukte pass persönlicher gerätepass über die einweisung in medizinprodukte gemäß 5 der medizinprodukte betreiberverordnung mpbetreibv by marc deschka reiseepass

health pass - Jan 11 2023

feb 20 2023 medizinprodukte pass personlicher geratepass uber 1 4 downloaded from uniport edu ng on february 20 2023 by guest medizinprodukte pass personlicher

medizinprodukte pass persönlicher gerätepass über die - Nov 09 2022

medizinprodukte pass personlicher geratepass uber 1 1 downloaded from uniport edu ng on april 19 2023 by guest

medizinprodukte pass personlicher geratepass uber right here

medizinprodukte pass persönlicher gerätepass über die - Nov 28 2021

medizinprodukte pass persönlicher gerätepass über die - Dec 30 2021

medizinprodukte pass persönlicher gerätepass über - Apr 14 2023

health pass uluslararası seyahatin hızlı ve güvenilir şekilde ilerlemesi ve ülkeler arası pandemi ile mücadeledeki iş birliklerini kolaylaştırmak amacıyla geliştirilmiştir avrupa birliği tarafından

medizinproduktepasspersonlichergeratepassuber Ireisser copy - Jun 04 2022

right here we have countless books medizinprodukte pass personlicher geratepass uber and collections to check out we additionally provide variant types and next type of the books

medizinprodukte pass persönlicher gerätepass über die - Aug 18 2023

title medizinprodukte pass personlicher geratepass uber full pdf protese odontocompany com author kaleb rebekah subject medizinprodukte pass

anatomy of the foot and ankle by shahan k sarrafian open - Feb 02 2022

web jan 11 2023 imported from scriblio marc record anatomy of the foot and ankle by shahan k sarrafian 1993 lippincott edition in english 2nd ed

sarrafian s anatomy of the foot and ankle descriptive topographic - Apr 16 2023

web sarrafian s anatomy of the foot and ankle descriptive topographic functional third edition

sarrafian s anatomy of the foot and ankle lww - Aug 20 2023

web product description selected as a doody s core title for 2023 the most comprehensive reference available in this complex area sarrafian s anatomy of the foot and ankle fourth edition remains the anatomy reference of choice for foot and ankle orthopaedic surgeons and podiatrists

sarrafian s anatomy of the foot and ankle descriptive - Nov 11 2022

web buy sarrafian s anatomy of the foot and ankle descriptive topographic functional 4 by sarrafian kelikian armen s sarrafian md facs shahan k isbn 9781975160630 from amazon s book store everyday low prices and free delivery on eligible orders

sarrafian s anatomy of the foot and ankle worldcat org - Oct 10 2022

web meticulously updated this new edition captures all of today s clinical knowledge on the anatomy of the foot and ankle detailed coverage of functional anatomy applied anatomy biomechanics and cross sectional anatomy further enhances your understanding of the complexities associated with disorders of the foot and ankle

sarrafian s anatomy of the foot and ankle descriptive - May 17 2023

web mar 11 2023 selected as a doody s core title for 2023 the most comprehensive reference available in this complex area sarrafian s anatomy of the foot and ankle fourth edition remains the anatomy reference of choice for foot and ankle orthopaedic surgeons and podiatrists edited by drs armen s kelikian and shahan k sarrafian and

book review of sarrafian s anatomy of the foot and ankle - Jul 07 2022

web feb 8 2012 book review of sarrafian s anatomy of the foot and ankle john m schuberth dpm foot ankle specialist 2012 5 1 67 67 download citation if you have the appropriate software installed you can download article citation data to the citation manager of your choice simply select your manager software from the list below and

sarrafian s anatomy of the foot and ankle descriptive - Sep 21 2023

web download citation sarrafian s anatomy of the foot and ankle descriptive topographic functional third edition featuring original anatomical dissection photographs prepared by

sarrafrican s anatomy of the foot and ankle google books - Jul 19 2023

web mar 29 2012 meticulously updated this new edition captures all of today s clinical knowledge on the anatomy of the foot and ankle detailed coverage of functional anatomy applied anatomy

sarrafrican s anatomy foot ankle 3rd pdf foot scribd - Dec 12 2022

web sarrafrican s anatomy of the foot and ankle descriptive topographical functional editor armen s kelikian third edition p cm anatomy of the foot and ankle includes bibliographical references and index isbn 978 0 7817 9750 4 hardback 1 foot anatomy 2 ankle anatomy i kelikian armen s editor ii sarrafrican shahan

sarrafrican s anatomy of the foot and ankle wolters kluwer - May 05 2022

web selected as a doody s core title for 2023 the most comprehensive reference available in this complex area sarrafrican s anatomy of the foot and ankle fourth edition remains the anatomy reference of choice for foot and ankle orthopaedic surgeons and podiatrists

sarrafrican s anatomy of the foot and ankle google books - Feb 14 2023

web armen s kelikian shahan k sarrafrican lippincott williams wilkins 2011 medical 759 pages featuring original dissections done by an outstanding clinical anatomist sarrafrican s anatomy

book review sarrafrican s anatomy of the foot and ankle - Mar 15 2023

web oct 20 2023 sarrafrican s anatomy of the foot and ankle descriptive topographic functional 4th ed wolters kluwer 2023 google scholar supplementary material supplemental material files icmje disclosures file sj pdf 1 fai 10 1177 10711007231201821 pdf download 389 41 kb cite article

sarrafrican s anatomy of the foot and ankle descriptive - Mar 03 2022

web mar 11 2023 selected as a doody s core title for 2023 the most comprehensive reference available in this complex area sarrafrican s anatomy of the foot and ankle descriptive topographic functional 832 by armen s kelikian editor shahan k sarrafrican md facs editor view more read an excerpt of this book add to wishlist

sarrafrican s anatomy of the foot and ankle wolters kluwer - Jun 18 2023

web mar 11 2023 sarrafrican s anatomy of the foot and ankle descriptive topographic functional fourth edition edited by armen s kelikian and shahan k sarrafrican imprint lww sales date 2023 03 11

sarrafrican s anatomy of the foot and ankle descriptive - Apr 04 2022

web jan 10 2023 buy sarrafrican s anatomy of the foot and ankle descriptive topographic functional read books reviews amazon com

sarrafrican s anatomy of the foot and ankle descriptive - Sep 09 2022

web sarrafrican s anatomy of the foot and ankle is the classic book in foot and ankle anatomy meticulously updated this new

edition captures all of today s clinical knowledge on the anatomy of the foot and ankle detailed coverage of functional anatomy applied anatomy biomechanics and cross sectional anatomy further enhances your understanding

sarrafrican s anatomy of the foot and ankle descriptive topographic - Jun 06 2022

web buy sarrafrican s anatomy of the foot and ankle descriptive topographic functional 3 by kelikian md armen s sarrafrican md facs shahan k isbn 9780781797504 from amazon s book store everyday low prices and free delivery on eligible orders

sarrafrican s anatomy of the foot and ankle descriptive - Aug 08 2022

web mar 29 2012 overview featuring original anatomical dissection photographs prepared by shahan k sarrafrican md facs faos abos sarrafrican s anatomy of the foot and ankle is the classic book in foot and ankle anatomy meticulously updated this new edition captures all of today s clinical knowledge on the anatomy of the foot and ankle

sarrafrican s anatomy of the foot and ankle google books - Jan 13 2023

web apr 24 2015 sarrafrican s anatomy of the foot and ankle descriptive topographic functional armen s kelikian wolters kluwer health apr 24 2015 ankle 779 pages featuring original