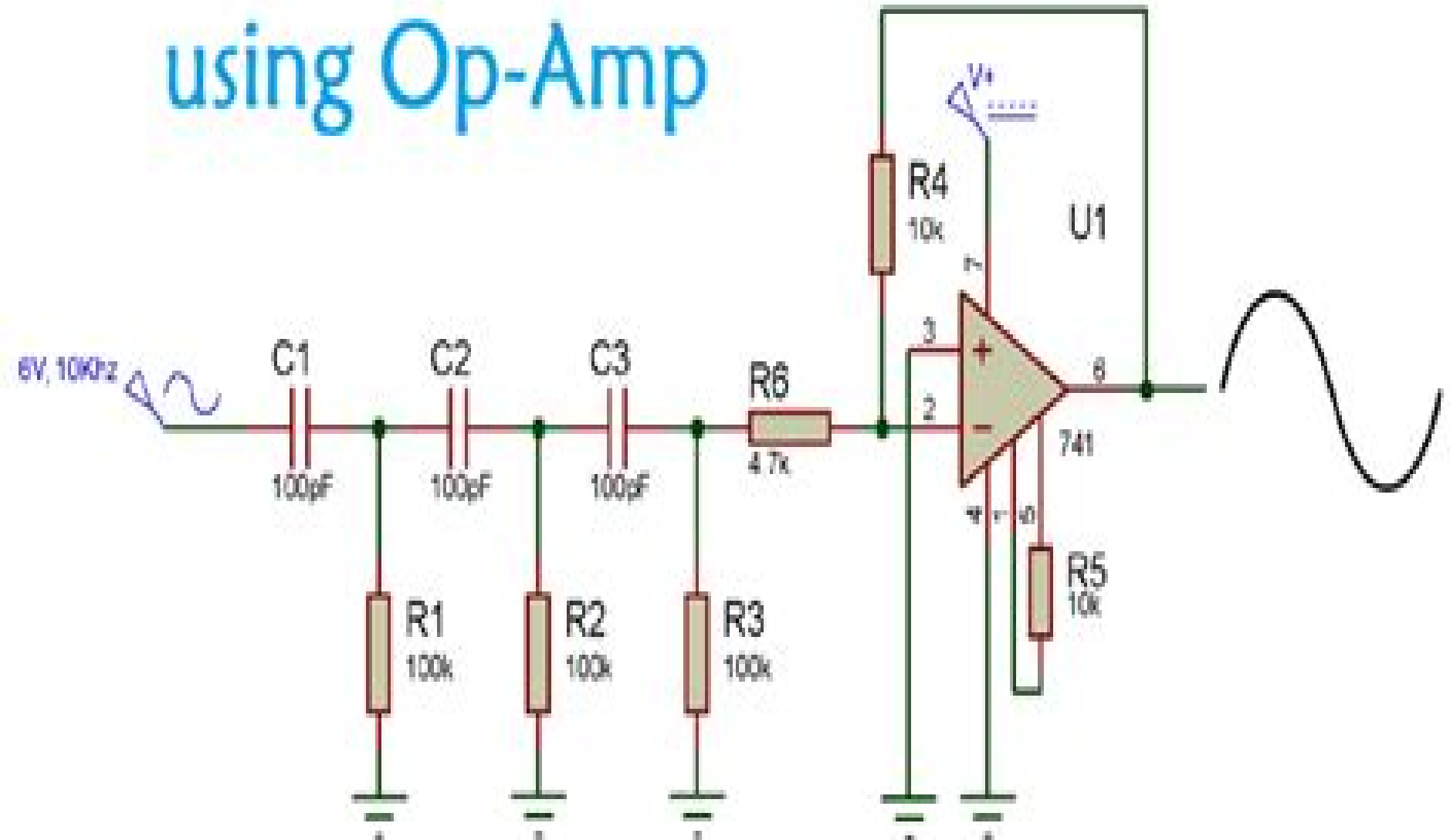


RC Phase Shift Oscillator

using Op-Amp



Rc Phase Shift Oscillator Using Op Amp 741 Epub

**Izhak Kidron, J. Brian, Tekhniyyon-
Makohn tekhnologi le-Yisrael. Faqulta
lehandasat hashmal**

Rc Phase Shift Oscillator Using Op Amp 741 Epub :

Distributed R C Phase Shift Oscillator ,1976 **An Investigation of Build-up and Stability of an RC Phase-shift Oscillator** Allan William Side,Robert John Hamlin,1964 **Integrated Distributed RC Phase Shift Oscillator** Izhak Kidron,J. Brian,Tekhniyyon-Makohn teknologi le-Yisrael. Faqulta lehandasat hashmal,1971 **A Study of a Phase Shift Network in Relation to RC Oscillator and Amplifier Circuits** W. Fraser,King's College London. Department of Electronic & Electrical Engineering,1960 *Designing a New Type RC Op-amp Oscillator with Excellent Frequency and Amplitude Stability* Ataollah Elahi,1982

Thank you for downloading **Rc Phase Shift Oscillator Using Op Amp 741 Epub** . As you may know, people have look numerous times for their favorite readings like this Rc Phase Shift Oscillator Using Op Amp 741 Epub , but end up in harmful downloads.

Rather than reading a good book with a cup of coffee in the afternoon, instead they are facing with some malicious bugs inside their computer.

Rc Phase Shift Oscillator Using Op Amp 741 Epub is available in our book collection an online access to it is set as public so you can get it instantly.

Our book servers spans in multiple countries, allowing you to get the most less latency time to download any of our books like this one.

Merely said, the Rc Phase Shift Oscillator Using Op Amp 741 Epub is universally compatible with any devices to read

https://py.bijouxmedusa.com/files/virtual-library/default.aspx/best_ever_chocolate_cakes_slices_confident_cooking.pdf

Table of Contents Rc Phase Shift Oscillator Using Op Amp 741 Epub

1. Understanding the eBook Rc Phase Shift Oscillator Using Op Amp 741 Epub
 - The Rise of Digital Reading Rc Phase Shift Oscillator Using Op Amp 741 Epub
 - Advantages of eBooks Over Traditional Books
2. Identifying Rc Phase Shift Oscillator Using Op Amp 741 Epub
 - Exploring Different Genres
 - Considering Fiction vs. Non-Fiction
 - Determining Your Reading Goals
3. Choosing the Right eBook Platform
 - Popular eBook Platforms
 - Features to Look for in an Rc Phase Shift Oscillator Using Op Amp 741 Epub
 - User-Friendly Interface
4. Exploring eBook Recommendations from Rc Phase Shift Oscillator Using Op Amp 741 Epub

- Personalized Recommendations
 - Rc Phase Shift Oscillator Using Op Amp 741 Epub User Reviews and Ratings
 - Rc Phase Shift Oscillator Using Op Amp 741 Epub and Bestseller Lists
5. Accessing Rc Phase Shift Oscillator Using Op Amp 741 Epub Free and Paid eBooks
- Rc Phase Shift Oscillator Using Op Amp 741 Epub Public Domain eBooks
 - Rc Phase Shift Oscillator Using Op Amp 741 Epub eBook Subscription Services
 - Rc Phase Shift Oscillator Using Op Amp 741 Epub Budget-Friendly Options
6. Navigating Rc Phase Shift Oscillator Using Op Amp 741 Epub eBook Formats
- ePub, PDF, MOBI, and More
 - Rc Phase Shift Oscillator Using Op Amp 741 Epub Compatibility with Devices
 - Rc Phase Shift Oscillator Using Op Amp 741 Epub Enhanced eBook Features
7. Enhancing Your Reading Experience
- Adjustable Fonts and Text Sizes of Rc Phase Shift Oscillator Using Op Amp 741 Epub
 - Highlighting and Note-Taking Rc Phase Shift Oscillator Using Op Amp 741 Epub
 - Interactive Elements Rc Phase Shift Oscillator Using Op Amp 741 Epub
8. Staying Engaged with Rc Phase Shift Oscillator Using Op Amp 741 Epub
- Joining Online Reading Communities
 - Participating in Virtual Book Clubs
 - Following Authors and Publishers Rc Phase Shift Oscillator Using Op Amp 741 Epub
9. Balancing eBooks and Physical Books Rc Phase Shift Oscillator Using Op Amp 741 Epub
- Benefits of a Digital Library
 - Creating a Diverse Reading Collection Rc Phase Shift Oscillator Using Op Amp 741 Epub
10. Overcoming Reading Challenges
- Dealing with Digital Eye Strain
 - Minimizing Distractions
 - Managing Screen Time
11. Cultivating a Reading Routine Rc Phase Shift Oscillator Using Op Amp 741 Epub
- Setting Reading Goals Rc Phase Shift Oscillator Using Op Amp 741 Epub
 - Carving Out Dedicated Reading Time
12. Sourcing Reliable Information of Rc Phase Shift Oscillator Using Op Amp 741 Epub

- Fact-Checking eBook Content of Rc Phase Shift Oscillator Using Op Amp 741 Epub
 - Distinguishing Credible Sources
13. Promoting Lifelong Learning
- Utilizing eBooks for Skill Development
 - Exploring Educational eBooks
14. Embracing eBook Trends
- Integration of Multimedia Elements
 - Interactive and Gamified eBooks

Rc Phase Shift Oscillator Using Op Amp 741 Epub Introduction

In this digital age, the convenience of accessing information at our fingertips has become a necessity. Whether its research papers, eBooks, or user manuals, PDF files have become the preferred format for sharing and reading documents. However, the cost associated with purchasing PDF files can sometimes be a barrier for many individuals and organizations. Thankfully, there are numerous websites and platforms that allow users to download free PDF files legally. In this article, we will explore some of the best platforms to download free PDFs. One of the most popular platforms to download free PDF files is Project Gutenberg. This online library offers over 60,000 free eBooks that are in the public domain. From classic literature to historical documents, Project Gutenberg provides a wide range of PDF files that can be downloaded and enjoyed on various devices. The website is user-friendly and allows users to search for specific titles or browse through different categories. Another reliable platform for downloading Rc Phase Shift Oscillator Using Op Amp 741 Epub free PDF files is Open Library. With its vast collection of over 1 million eBooks, Open Library has something for every reader. The website offers a seamless experience by providing options to borrow or download PDF files. Users simply need to create a free account to access this treasure trove of knowledge. Open Library also allows users to contribute by uploading and sharing their own PDF files, making it a collaborative platform for book enthusiasts. For those interested in academic resources, there are websites dedicated to providing free PDFs of research papers and scientific articles. One such website is Academia.edu, which allows researchers and scholars to share their work with a global audience. Users can download PDF files of research papers, theses, and dissertations covering a wide range of subjects. Academia.edu also provides a platform for discussions and networking within the academic community. When it comes to downloading Rc Phase Shift Oscillator Using Op Amp 741 Epub free PDF files of magazines, brochures, and catalogs, Issuu is a popular choice. This digital publishing platform hosts a vast collection of publications from around the world. Users can search for specific titles or explore various categories and genres. Issuu offers a seamless reading experience with its user-friendly interface and allows users to download PDF files for

offline reading. Apart from dedicated platforms, search engines also play a crucial role in finding free PDF files. Google, for instance, has an advanced search feature that allows users to filter results by file type. By specifying the file type as "PDF," users can find websites that offer free PDF downloads on a specific topic. While downloading Rc Phase Shift Oscillator Using Op Amp 741 Epub free PDF files is convenient, it's important to note that copyright laws must be respected. Always ensure that the PDF files you download are legally available for free. Many authors and publishers voluntarily provide free PDF versions of their work, but it's essential to be cautious and verify the authenticity of the source before downloading Rc Phase Shift Oscillator Using Op Amp 741 Epub . In conclusion, the internet offers numerous platforms and websites that allow users to download free PDF files legally. Whether it's classic literature, research papers, or magazines, there is something for everyone. The platforms mentioned in this article, such as Project Gutenberg, Open Library, Academia.edu, and Issuu, provide access to a vast collection of PDF files. However, users should always be cautious and verify the legality of the source before downloading Rc Phase Shift Oscillator Using Op Amp 741 Epub any PDF files. With these platforms, the world of PDF downloads is just a click away.

FAQs About Rc Phase Shift Oscillator Using Op Amp 741 Epub Books

1. Where can I buy Rc Phase Shift Oscillator Using Op Amp 741 Epub books? Bookstores: Physical bookstores like Barnes & Noble, Waterstones, and independent local stores. Online Retailers: Amazon, Book Depository, and various online bookstores offer a wide range of books in physical and digital formats.
2. What are the different book formats available? Hardcover: Sturdy and durable, usually more expensive. Paperback: Cheaper, lighter, and more portable than hardcovers. E-books: Digital books available for e-readers like Kindle or software like Apple Books, Kindle, and Google Play Books.
3. How do I choose a Rc Phase Shift Oscillator Using Op Amp 741 Epub book to read? Genres: Consider the genre you enjoy (fiction, non-fiction, mystery, sci-fi, etc.). Recommendations: Ask friends, join book clubs, or explore online reviews and recommendations. Author: If you like a particular author, you might enjoy more of their work.
4. How do I take care of Rc Phase Shift Oscillator Using Op Amp 741 Epub books? Storage: Keep them away from direct sunlight and in a dry environment. Handling: Avoid folding pages, use bookmarks, and handle them with clean hands. Cleaning: Gently dust the covers and pages occasionally.
5. Can I borrow books without buying them? Public Libraries: Local libraries offer a wide range of books for borrowing. Book Swaps: Community book exchanges or online platforms where people exchange books.

6. How can I track my reading progress or manage my book collection? Book Tracking Apps: Goodreads, LibraryThing, and Book Catalogue are popular apps for tracking your reading progress and managing book collections. Spreadsheets: You can create your own spreadsheet to track books read, ratings, and other details.
7. What are Rc Phase Shift Oscillator Using Op Amp 741 Epub audiobooks, and where can I find them? Audiobooks: Audio recordings of books, perfect for listening while commuting or multitasking. Platforms: Audible, LibriVox, and Google Play Books offer a wide selection of audiobooks.
8. How do I support authors or the book industry? Buy Books: Purchase books from authors or independent bookstores. Reviews: Leave reviews on platforms like Goodreads or Amazon. Promotion: Share your favorite books on social media or recommend them to friends.
9. Are there book clubs or reading communities I can join? Local Clubs: Check for local book clubs in libraries or community centers. Online Communities: Platforms like Goodreads have virtual book clubs and discussion groups.
10. Can I read Rc Phase Shift Oscillator Using Op Amp 741 Epub books for free? Public Domain Books: Many classic books are available for free as they're in the public domain. Free E-books: Some websites offer free e-books legally, like Project Gutenberg or Open Library.

Find Rc Phase Shift Oscillator Using Op Amp 741 Epub :

best ever chocolate cakes slices confident cooking

[baron of godsmere a medieval romance the feud book 1](#)

[beer and johnston mechanics of materials solution manual 6th edition](#)

[best core banking solutions](#)

[basic finance formula sheet](#)

[behind the green mask rosa koire](#)

barbero vaschetto dal bit al web scuolabook

basic civil for 1st year engineering tech max

[bec practice test vantage pearson elt](#)

[basisboek kwalitatief onderzoek baarda](#)

[basic of automobile engineering rb gupta](#)

[beth moore believing god viewer guide answers](#)

beyond voip protocols understanding voice technology and networking techniques for ip telephony

bailey and ollis biochemical engineering fundamentals

big book of reading response activities grades 4 6 dozens of engaging activities graphic organize

Rc Phase Shift Oscillator Using Op Amp 741 Epub :

table tennis tips from a world champion pdf - May 25 2022

web table tennis tips from a world champion is a practical training book for successful table tennis the aim is not to copy werner schlager as a player but to use his tips to

table tennis tips from a world champion google books - Sep 09 2023

web jan 10 2011 table tennis tips from a world champion is a practical training book for successful table tennis the aim is not to copy werner schlager as a player but to

table tennis tips from a world champion amazon com - Oct 10 2023

web jan 1 2011 table tennis tips from a world champion is a practical training book for successful table tennis the aim is not to copy werner schlager as a player but to use his tips to find your own way to use them successfully numerous picture series explain

guide to the world table tennis championships racket insight - Apr 23 2022

web table tennis tips from a world championbook detailfile size 15260 kb print length 180 pages publisher meyer meyer sport 1 edition january 10 2011

10 technical tactical tips for table tennis players - Jun 06 2023

web feb 3 2011 table tennis tips from a world championa is a practical training book for successful table tennis the aim is not to copy werner schlager as a player but to use

table tennis tips from a world champion kindle edition - Apr 11 2021

table tennis tips from a world champion worldcat org - Jun 25 2022

web the world table tennis championships were introduced in 1926 and they were played once a year up until 1957 all 7 events were played every year the 5 individual events

table tennis tips from a world champion paperback - Nov 30 2022

web table tennis tips from a world championa is a practical training book for successful table tennis the aim is not to copy werner schlager as a player but to use his tips to

table tennis tips from a world champion worldcat org - Mar 03 2023

web table tennis tips from a world champion ebook groß bernd ulrich schlager werner amazon co uk books

the tennis escape artists who lifted the trophies the new - Jun 13 2021

web jan 10 2011 buy table tennis tips from a world champion read kindle store reviews amazon com

table tennis tips from a world champion kindle edition - Jan 01 2023

web sep 26 2016 and if you are looking for some more table tennis tips from professional players and coaches please check out my page 1001 table tennis tips the following

tips and tricks to become a better player cheats for tennis - Sep 16 2021

web 1 day ago retiring ol reign star and two time women s world cup winner megan rapinoe said on thursday that her final match in saturday s nswl championship

12 physical training tips for table tennis players by - Apr 04 2023

web feb 1 2011 table tennis tips from a world champion is a practical training book for successful table tennis the aim is not to copy werner schlager as a player

pdf table tennis tips from a world champion yumpu - Mar 23 2022

web jan 8 2017 stay as close to the table as you can follow the ball with your eyes all the way to the bat don t expect the trajectory as a certain stroke always should have

tyson fury was humiliated by francis ngannou a table tennis - Nov 18 2021

web aug 13 2020 choose a defensive character if you are new to tennis world tour choose a defensive character to start goffin is a good choice as he handles like you would think

world cup 2023 points table england climb up to 7th spot - Oct 18 2021

web nov 6 2023 bangladesh ended sri lanka s dreams of reaching the cricket world cup 2023 semifinals with a hard fought three wicket win in a match filled with controversies

table tennis bernd ulrich gross werner schlager google - Aug 28 2022

web table tennis tips from a world champion is a practical training book for successful table tennis the aim is not to copy werner schlager as a player but to use his tips to

wtt champions frankfurt 2023 celebrating table tennis - Dec 20 2021

web 2 days ago world cup 2023 points table after five straight losses defending cricket world cup champions england finally returned to winning ways with a positive result

e book download table tennis tips from a world champion - Feb 19 2022

web oct 27 2023 the anticipation is palpable in the global table tennis community as wtt champions frankfurt 2023 unfolds over eight action packed days from october 29 to

1001 table tennis tips - Jul 27 2022

web table tennis tips from a world champion is a practical training book for successful table tennis the aim is not to copy werner schlager as a player but to use his tips to
it s a four way battle for the last two champions trophy spots - May 13 2021

megan rapinoe says nwsf final perfect way to go out espn - Jul 15 2021

web nov 7 2023 as we approach the last few games of the league stage of the 2023 odi world cup the primary focus is obviously on the top four slots but that s for the top six

table tennis tips from a world champion ebook barnes noble - Feb 02 2023

web table tennis tips from a world champion gross bernd ulrich amazon com au books

how to win in table tennis medium - Jan 21 2022

web oct 30 2023 the table tennis champion of the world as ngannou himself wrote on instagram after this crossover contest even andy murray had to chime in as fury s

9 serve return tips for table tennis players by werner - Oct 30 2022

web table tennis tips from a world champion is a practical training book for successful table tennis the aim is not to copy werner schlager as a player but to use his tips to

table tennis tips from a world champion semantic scholar - Sep 28 2022

web find table tennis tips from top table tennis players coaches and sport scientists that have agreed to share their knowledge with expert table tennis werner schlager is a

table tennis tips from a world champion goodreads - Jul 07 2023

web apr 15 2011 table tennis tips from a world champion is a practical training book for successful table tennis the aim is not to copy werner schlager as a player but to use

table tennis tips from a world champion gross bernd ulrich - Aug 08 2023

web table tennis tips from a world champion by gross bernd ulrich 1957 publication date 2011 topics table tennis publisher maidenhead meyer meyer sport uk collection

cricket world cup 2023 points table bangladesh end sri - Aug 16 2021

web oct 27 2023 cameron spencer getty images at the 2021 italian open iga swiatek was down two match points to barbora krejcikova in the third round but managed to escape

table tennis tips from a world champion amazon co uk - May 05 2023

web table tennis tips from a world champion is a practical training book for successful table tennis the aim is not to copy werner schlager as a player but to use his tips to

sap predictive analytics in 2022 pat research - Sep 25 2021

sap analytics cloud planning - Oct 27 2021

sap analytics cloud bi planning and predictive analysis tools - Jan 10 2023

web with sap analytics cloud you can cover a range of planning operations like scheduling tasks kickstarting forecasts with predictive features building custom planning

live access to sap s 4hana private cloud and sap bw in sap - Aug 25 2021

about forecasting with predictive planning sap help portal - Aug 17 2023

web predictive forecasting in sap analytics cloud predictive forecasting takes different values into account and also looks at trends cycles and fluctuations in your data this

run predictive forecasts on table cells sap help portal - Apr 13 2023

web sap analytics cloud comes with over 100 prebuilt best practice sap business content packages across lines of business and industries to accelerate analytics and planning

about planning sap help portal - Sep 06 2022

web sap analytics cloud covers a broad range of reporting planning and predictive capabilities in this example i m combining all of that i use a predictive sc

what is sap analytics cloud sap help portal - Nov 08 2022

web sep 15 2021 in this blog post we will show you how you can leverage sap analytics cloud predictive planning predictive capabilities to perform a predictive what if

sap analytics cloud enterprise planning - Feb 28 2022

web real time plan data for analytics on data warehouse cloud real time actual data for planning in sap analytics cloud planning on semantically enriched lob data

sap analytics cloud for predictive analytics - Feb 11 2023

web may 4 2022 predictive planning was delivered in sap analytics cloud to support customers and partners that want to use time series forecasting in context of financial

data and analytics business solutions and tools sap - Jan 30 2022

web sap predictive analytics sap predictive analysis is a statistical analysis data mining and predictive analytics solution the solution enables to build predictive models to

exploring sap analytics cloud smart predict - Jun 03 2022

web data and analytics solutions with sap data and analytics solutions you can get the most value from your data deliver trusted insights and extend planning and analysis across

forecasting with predictive analytics sap learning - Jul 16 2023

web jun 1 2022 we just delivered a super nice business content in sap analytics cloud this relates to predictive liquidity planning and takes advantage of all the latest greatest

predictive planning in sap analytics cloud sapinsider - Aug 05 2022

web sap analytics cloud is a fully cloud dashboarding and reporting tool it is the only analytics solution that brings together business intelligence planning and predictive

sap predictive asset insights iot predictive maintenance software - Nov 27 2021

sap analytics cloud predictive scenarios planning youtube - May 02 2022

web sap analytics cloud is a step towards fact based management culture built on harmonized data foundation and trust to analytical system learn more

forecasting with sap analytics cloud sap blogs sap - Oct 07 2022

web sap analytics cloud smart predict overview introduction to smart predict to help you make better business decisions sap have integrated automated predictive features

sap analytics cloud sap learning - Dec 09 2022

web predictive analytics remains a key advanced analytics approach among various analytical approaches in this blog we will explore the smart predict functionality of

predictive analytics the future of data analysis sap - Mar 12 2023

web benefits of sap analytics cloud the main benefits of sap analytics cloud include ease of viewing content connectivity to trusted data access to various visualization tools

etap12 5 install guide release pdf scribd - Apr 29 2022

web the student edition of etap s electrical engineering software is intended for students who are utilizing etap in an educational setting the etap student edition will help prepare

etap kb general knowledge base etap help center - Feb 08 2023

web etap12gettingstarted 1 etap12gettingstarted etap12gettingstarted downloaded from lisansustu altinbas edu tr by guest gretchen galvan

why was the libya flooding so deadly weak infrastructure - Oct 24 2021

web sep 12 2023 reporting from washington sept 12 2023 speaker kevin mccarthy on tuesday opened an impeachment inquiry into president biden working to appease far

mccarthy under threat from right orders biden impeachment - Sep 22 2021

web 2 days ago airpods pro 2nd generation with magsafe charging case usb c will enable lossless audio with ultra low latency to deliver the perfect true wireless solution

getting started with etap - Jul 21 2021

web etap demo is a free 30 day working version of the software with specific activated modules and functionalities including samples projects for a variety of systems the demo version

etap 12 6 demo install guide 2014 eng vdocuments net - Oct 04 2022

web etap energy management solution electrical digital twin platform

etap12gettingstarted 2 telcomanager - Jan 27 2022

web research handbook on start up incubation ecosystems moon patagonia small ethnically owned businesses africa crude continent extended task analysis procedure

etap student edition electrical engineering software for - Mar 29 2022

web etap upgrade and user support contract uuc is the most cost effective way to protect your etap investment including product upgrades and technical support etap invests

demo download etap - Jun 19 2021

us consumer prices continued to rise last month cnn - Nov 24 2021

web 2 days ago 5 min eastern libya s weak infrastructure and low lying areas made it especially susceptible to disaster as torrents of rainfall caused flooding and left

getting started with etap youtube - Apr 10 2023

web etap demo is a free 30 day working version of the software with specific activated modules and functionalities including samples projects for a variety of systems the demo version

etap demo download free 30 day demo get started with - Mar 09 2023

web getting started with etapapp this document describes the installation configuration and start up of field data collection and synchronization between the etap desktop

tutorial install etap 12 pdf windows 7 microsoft windows - Nov 05 2022

web sep 30 2015 this document is designed to guide you through a typical installation of the etap 12 6 0 demo the pdf file for the etap demo getting started is located in the

etap 14 0 0 demo - Jun 12 2023

web getting started analysis capabilities operation technology inc 2 etap 14 demo 2 product description etap is a fully graphical electrical power system analysis program

[list of etap physical license types etap help center](#) - May 31 2022

web installation guide etap 12 5 release is the latest upgrade of the market leading electrical power system design and operation software the new analysis features and enhanced

etap - Aug 14 2023

web etap

etap12gettingstarted pdf lisansustu altinbas edu - Jan 07 2023

web developers who want to get started with docker and kubernetes although no prior experience with docker is required basic knowledge of kubernetes and containers will

etap upgrade user support - Feb 25 2022

web extended task analysis procedure etap user s manual africa crude continent climatological data research handbook on start up incubation ecosystems starting at

etap 12 getting started cyberlab sutd edu sg - Dec 06 2022

web the previous etap license manager was or was not removed during installation of etap 12 6 0 e g for etap 11 0 0 you will see a folder called etap license manager 1100

apple upgrades airpods pro 2nd generation with usb c charging - Aug 22 2021

web getting started with etap download free 30 day demo etap demo is a free 30 day working version of the software with specific activated modules and functionalities

etap12gettingstarted download only wikijs networklessons - Dec 26 2021

web 2 days ago however core inflation slowed to 4 3 from 4 7 for the 12 months ending in august its slowest pace since september 2021 and an indication that the federal

etap 12 6 user guide pdf trademark microsoft windows - Jul 01 2022

web getting started with etapapp this document describes the installation configuration and start up of field data collection and synchronization between the etap desktop

how to get started on etap for beginners lecture 1 - May 11 2023

web a collection of short videos to get you familiar with etap software

[netpm getting started guide etap 22 etap help center](#) - Aug 02 2022

web the current revision includes modifications from version etap 12 5 release to etap 12 6 release the modifications are

marked in blue for easy identification note etap 12 6

etap energy management solution electrical digital twin - Sep 03 2022

web getting started with net pm tm etap 22 network project modeling management netpm is a tool that lets multiple users dynamically collaborate on the same project via

getting started with etap project management part 1 - Jul 13 2023

web apr 16 2020 33k views 3 years ago getting started with etap etap com getting started this webinar covered the most important features capabilities that allow