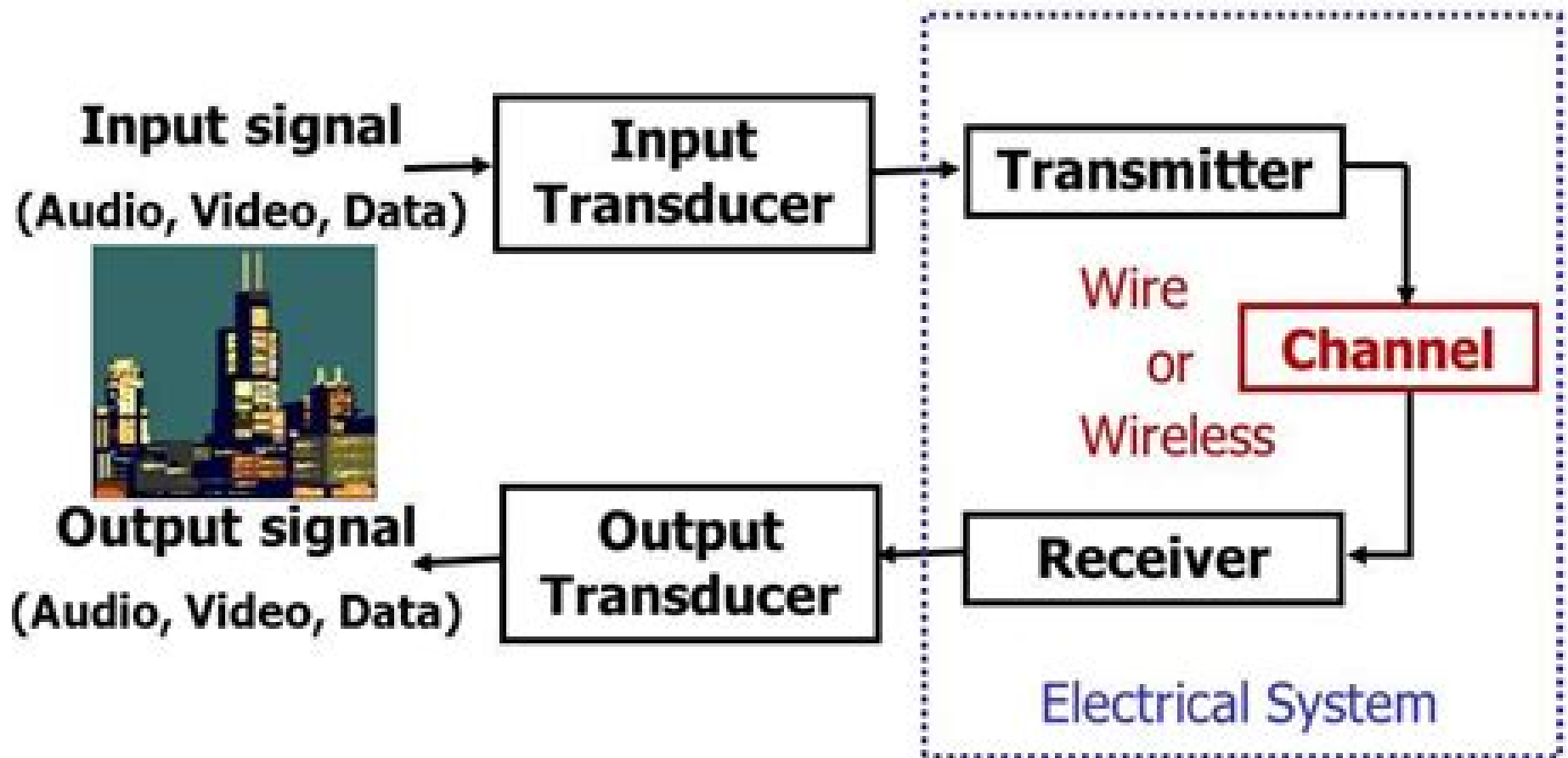


Functional Block Diagram of a Communication System



Functional Block Diagram Engineering

Harry Herbert Goode



Functional Block Diagram Engineering:

Embark on a transformative journey with Explore the World with is captivating work, Discover the Magic in **Functional Block Diagram Engineering** . This enlightening ebook, available for download in a convenient PDF format , invites you to explore a world of boundless knowledge. Unleash your intellectual curiosity and discover the power of words as you dive into this riveting creation. Download now and elevate your reading experience to new heights .

<https://py.bijouxmedusa.com/About/virtual-library/fetch.php/norman%20browse%20clinical%20surgery%20peykamw.pdf>

Table of Contents Functional Block Diagram Engineering

1. Understanding the eBook Functional Block Diagram Engineering
 - The Rise of Digital Reading Functional Block Diagram Engineering
 - Advantages of eBooks Over Traditional Books
2. Identifying Functional Block Diagram Engineering
 - Exploring Different Genres
 - Considering Fiction vs. Non-Fiction
 - Determining Your Reading Goals
3. Choosing the Right eBook Platform
 - Popular eBook Platforms
 - Features to Look for in an Functional Block Diagram Engineering
 - User-Friendly Interface
4. Exploring eBook Recommendations from Functional Block Diagram Engineering
 - Personalized Recommendations
 - Functional Block Diagram Engineering User Reviews and Ratings
 - Functional Block Diagram Engineering and Bestseller Lists
5. Accessing Functional Block Diagram Engineering Free and Paid eBooks
 - Functional Block Diagram Engineering Public Domain eBooks
 - Functional Block Diagram Engineering eBook Subscription Services
 - Functional Block Diagram Engineering Budget-Friendly Options

6. Navigating Functional Block Diagram Engineering eBook Formats
 - ePub, PDF, MOBI, and More
 - Functional Block Diagram Engineering Compatibility with Devices
 - Functional Block Diagram Engineering Enhanced eBook Features
7. Enhancing Your Reading Experience
 - Adjustable Fonts and Text Sizes of Functional Block Diagram Engineering
 - Highlighting and Note-Taking Functional Block Diagram Engineering
 - Interactive Elements Functional Block Diagram Engineering
8. Staying Engaged with Functional Block Diagram Engineering
 - Joining Online Reading Communities
 - Participating in Virtual Book Clubs
 - Following Authors and Publishers Functional Block Diagram Engineering
9. Balancing eBooks and Physical Books Functional Block Diagram Engineering
 - Benefits of a Digital Library
 - Creating a Diverse Reading Collection Functional Block Diagram Engineering
10. Overcoming Reading Challenges
 - Dealing with Digital Eye Strain
 - Minimizing Distractions
 - Managing Screen Time
11. Cultivating a Reading Routine Functional Block Diagram Engineering
 - Setting Reading Goals Functional Block Diagram Engineering
 - Carving Out Dedicated Reading Time
12. Sourcing Reliable Information of Functional Block Diagram Engineering
 - Fact-Checking eBook Content of Functional Block Diagram Engineering
 - Distinguishing Credible Sources
13. Promoting Lifelong Learning
 - Utilizing eBooks for Skill Development
 - Exploring Educational eBooks
14. Embracing eBook Trends
 - Integration of Multimedia Elements

- Interactive and Gamified eBooks

Functional Block Diagram Engineering Introduction

Functional Block Diagram Engineering Offers over 60,000 free eBooks, including many classics that are in the public domain. Open Library: Provides access to over 1 million free eBooks, including classic literature and contemporary works. Functional Block Diagram Engineering Offers a vast collection of books, some of which are available for free as PDF downloads, particularly older books in the public domain. Functional Block Diagram Engineering : This website hosts a vast collection of scientific articles, books, and textbooks. While it operates in a legal gray area due to copyright issues, its a popular resource for finding various publications. Internet Archive for Functional Block Diagram Engineering : Has an extensive collection of digital content, including books, articles, videos, and more. It has a massive library of free downloadable books. Free-eBooks Functional Block Diagram Engineering Offers a diverse range of free eBooks across various genres. Functional Block Diagram Engineering Focuses mainly on educational books, textbooks, and business books. It offers free PDF downloads for educational purposes. Functional Block Diagram Engineering Provides a large selection of free eBooks in different genres, which are available for download in various formats, including PDF. Finding specific Functional Block Diagram Engineering, especially related to Functional Block Diagram Engineering, might be challenging as theyre often artistic creations rather than practical blueprints. However, you can explore the following steps to search for or create your own Online Searches: Look for websites, forums, or blogs dedicated to Functional Block Diagram Engineering, Sometimes enthusiasts share their designs or concepts in PDF format. Books and Magazines Some Functional Block Diagram Engineering books or magazines might include. Look for these in online stores or libraries. Remember that while Functional Block Diagram Engineering, sharing copyrighted material without permission is not legal. Always ensure youre either creating your own or obtaining them from legitimate sources that allow sharing and downloading. Library Check if your local library offers eBook lending services. Many libraries have digital catalogs where you can borrow Functional Block Diagram Engineering eBooks for free, including popular titles. Online Retailers: Websites like Amazon, Google Books, or Apple Books often sell eBooks. Sometimes, authors or publishers offer promotions or free periods for certain books. Authors Website Occasionally, authors provide excerpts or short stories for free on their websites. While this might not be the Functional Block Diagram Engineering full book , it can give you a taste of the authors writing style. Subscription Services Platforms like Kindle Unlimited or Scribd offer subscription-based access to a wide range of Functional Block Diagram Engineering eBooks, including some popular titles.

FAQs About Functional Block Diagram Engineering Books

How do I know which eBook platform is the best for me? Finding the best eBook platform depends on your reading preferences and device compatibility. Research different platforms, read user reviews, and explore their features before making a choice. Are free eBooks of good quality? Yes, many reputable platforms offer high-quality free eBooks, including classics and public domain works. However, make sure to verify the source to ensure the eBook credibility. Can I read eBooks without an eReader? Absolutely! Most eBook platforms offer web-based readers or mobile apps that allow you to read eBooks on your computer, tablet, or smartphone. How do I avoid digital eye strain while reading eBooks? To prevent digital eye strain, take regular breaks, adjust the font size and background color, and ensure proper lighting while reading eBooks. What the advantage of interactive eBooks? Interactive eBooks incorporate multimedia elements, quizzes, and activities, enhancing the reader engagement and providing a more immersive learning experience. Functional Block Diagram Engineering is one of the best book in our library for free trial. We provide copy of Functional Block Diagram Engineering in digital format, so the resources that you find are reliable. There are also many Ebooks of related with Functional Block Diagram Engineering. Where to download Functional Block Diagram Engineering online for free? Are you looking for Functional Block Diagram Engineering PDF? This is definitely going to save you time and cash in something you should think about.

Find Functional Block Diagram Engineering :

norman browse clinical surgery peykamw

ns2 dos attack tcl code

operations management jay heizer 10th edition

on belief slavoj zizek

on the kabbalah and its symbolism gershom scholem

oca java se 8 programmer i exam exams 1z0 808

numerical mathematical analysis by j b scarborough

o rei dos sonhos dublado online gepacnet blogspot com

nightfall and other stories isaac asimov

nursing research principles and methods 6th edition

nje tekst te shkurter me tre paragraf

notes of a native son james baldwin

[next thing on my list the jill smolinski](#)
[nigerian gospel praise worship songs english igbo yoruba](#)
[operating policies procedures manual for medical practices](#)

Functional Block Diagram Engineering :

[download tutto chimica pdf by aa vv pdfdrive](#) - Jul 03 2022

web read download pdf tutto chimica by aa vv update the latest version with high quality try now

la chimica generale in breve zanichelli online per la scuola - Jun 02 2022

web la chimica è quella parte della scienza che studia la struttura le proprietà e le trasformazioni della materia intendendo con questo termine tutto ciò che occupa uno spazio e possiede una certa massa quindi tutti i corpi minerali animali o vegetali la materia è costituita da un piccolo numero di sostanze fondamentali chiamate

[tutochimica vendita online detersivi e igienizzanti per usi](#) - May 01 2022

web tuto chimica sviluppiamo detersivi e detersivi che migliorano sia la qualità della vita e allo stesso tempo rispettano la natura e l'ambiente da più di 50 anni ricerchiamo soluzioni innovative e con il minimo impatto ambientale

tuttochimica it appunti articoli e testi - May 13 2023

web tuttochimica it è un sito web dedicato alla chimica biologia genetica e scienze contiene appunti e materiali di download utili per studio o lavoro relativi alle materie scientifiche trattate

[chimica online homepage](#) - Jun 14 2023

web la chimica online per tutti notizie e informazioni sulla chimica analitica fisica chimica organica biochimica esercizi e formule

[lezioni di chimica imparare le basi della chimica superprof](#) - Feb 27 2022

web in alternativa scopri tutto ciò che hai bisogno di sapere sulla chimica con superprof imparare chimica gli elementi e la tavola periodica un laboratorio di chimica non può definirsi tale se non possiede una tavola periodica

[tutto è chimica chemicamo](#) - Aug 04 2022

web zenzero proprietà terapeutiche e usi culinari di questa radice scopri i molteplici benefici dello zenzero dalle sue proprietà terapeutiche alle applicazioni culinarie questa radice sorprendente offre un potente supporto per la salute e un sapore unico in cucina tutto è chimica 27 maggio 2023

tuttochimica it appunti e articoli di chimica generale - Jul 15 2023

web tuttochimica it è un sito web dedicato alla chimica biologia genetica e scienze contiene appunti e materiali di download utili per studio o lavoro relativi alle materie scientifiche trattate

chimica in enciclopedia dei ragazzi treccani - Mar 31 2022

web chimica luigi cerruti la scienza della trasformazione se chiediamo a un chimico cos è la chimica molto probabilmente ci risponderà con tre parole tutto è chimica la sua affermazione andrebbe corretta così tutto è anche chimica perché in realtà non c'è nulla nelle nostre case che non abbia in sé molta chimica dalla carta delle

tutto chimica amazon com tr kitap - Dec 08 2022

web tutto chimica amazon com tr kitap Çerez tercihlerinizi seçin Çerez bildirimimizde ayrıntılı şekilde açıklandığı üzere alışveriş yapmanızı sağlamak alışveriş deneyiminizi iyileştirmek ve hizmetlerimizi sunmak için gerekli olan çerezleri ve benzer araçları kullanırız

chimica online risorse didattiche per lo studio online della chimica - Feb 10 2023

web chimica online la chimica accessibile a tutti chimica online è un sito la cui missione principale è la digitalizzazione della scuola e più in particolare della chimica il suo intento è quello di aiutare più studenti possibile a comprendere e ad affrontare una materia ritenuta ingiustamente difficile e mnemonica

chimica wikipedia - Oct 06 2022

web la chimica è la scienza naturale che studia la composizione la struttura e le proprietà della materia sia essa in forma di elementi specie composti miscele o altre sostanze e i cambiamenti che questi subiscono durante le reazioni e il loro rapporto con l'energia chimica studia anche le loro associazioni tramite legami chimici che

tutto chimica libri de agostini libri - Apr 12 2023

web per memorizzare rapidamente i concetti guida della chimica generale inorganica e organica studiare in sintesi i modelli atomici della materia il sistema periodico degli elementi

tutto chimica anna s archive - Sep 05 2022

web tutto chimica de agostini 2012 aa vv schemi e tavole di sintesi disegni esplicativi per memorizzare i concetti guida della chimica e studiare in sintesi i modelli atomici della materia il sistema periodico degli elementi gli stati fisici i legami chimici e le reazioni la chimica del carbonio isbn 13 978 88 418 6932 1 isbn 10

chimica in enciclopedia italiana treccani - Dec 28 2021

web chimica per l'etimologia cfr alchimia ii pp 240 241 fr chimie sp química ted chemie ingl chemistry alfredo quartaroli umberto sborgi mario betti italo bellucci la chimica come corpo di scienza è relativamente recente ma è antica come arte nell'antichità la chimica si riduceva a una tecnica più o meno rudimentale disseminata in

tuttochimica it tuttochimica it chimica bio tutto chimica - Jan 29 2022

web tuttochimica it chimica biologia genetica scienze tuttochimica it è un sito web dedicato alla chimica biologia genetica e scienze contiene appunti e materiali di download utili per studio o lavoro relativi alle materie scientifiche trattate

[tutto chimica amazon com tr](#) - Jan 09 2023

web tutto chimica amazon com tr Çerez tercihlerinizi seçin alışveriş deneyiminizi geliştirmek hizmetlerimizi sunmak müşterilerin hizmetlerimizi nasıl kullandığını anlayarak iyileştirmeler yapabilmek ve tanıtımları gösterebilmek için çerezler ve benzeri araçları kullanmaktayız

chimica generale appunti ed esercizi chimica online - Mar 11 2023

web la chimica è una scienza che studia le proprietà le caratteristiche e le trasformazioni della materia il campo di indagine della chimica è pertanto vastissimo e altrettanto vasto è il suo campo di applicazione

home la chimica per tutti - Nov 07 2022

web chimico e appassionato di divulgazione scientifica ho preso il dottorato in chimica all università di strasburgo e mi occupo di ricerca e sviluppo nel campo della chimica dei materiali applicati alla biomedicina scrivo articoli divulgativi per diverse realtà web e gestisco il canale youtube la chimica per tutti

tuttochimica it chimica biologia genetica scienze - Aug 16 2023

web sep 19 2015 tuttochimica it è un sito web dedicato alla chimica biologia genetica e scienze contiene appunti e materiali di download utili per studio o lavoro relativi alle materie scientifiche trattate

[thermomix cooking experience menu thermomix singapore](#) - Dec 04 2022

web gather the whole family around the table with the everyday cooking for thermomix families find 114 family friendly recipes with our cookbook online

[everyday cookbook by thermomix australia on books for cooks](#) - Jan 25 2022

web the basic cookbook 151 recipes from quick and easy everyday meals and desserts to festive celebration dishes this collection of recipes featuring many middle eastern

all cookbooks thermomix singapore - Oct 14 2023

web discover all thermomix singapore cookbooks that contain healthy and easy thermomix recipes find out where and how to buy thermomix book a demo today

[everyday cooking for thermomix families tm5 tm6 cookbook](#) - Nov 03 2022

web 28 22 4 cm the basic cookbook offers more than 180 essential recipes for delicious everyday meals with proven thermomix simplicity enjoy quick and easy soups and

everyday cooking for thermomix families tm5 tm6 - Nov 22 2021

a culinary journey through italy cookidoo the official - Jan 05 2023

web apr 6 2022 your exclusive thermomix cooking experience menu choose from a range of everyday tasty dishes to plan

your exclusive menu to cook during your

thermomix easy meals for the family cookbook bilingual - Feb 23 2022

web perth australia thermomix australia 2013 second hand softcover thermomix australia ed everyday cookbook thermomix australia perth australia 2013 4to 255x220mm

everyday cookbook thermomix eat your books - Jun 29 2022

web get to know thermomix and explore an easier way of cooking you ll soon be returning to these useful tips and simple recipes on a daily basis for successful home cooked meals

cookbook thermomix - Sep 01 2022

web thermomix for every occasion to make your life easier we organized our recipes around different occasions so you can find exactly what you need without hassle in

italian kitchen book vorwerk uk - Aug 12 2023

web about this cookbook full of enticing recipes italian kitchen brings the flavours of italy to your home kitchen from inspiring antipasti and velvety soups creamy risottos rich

the basic cookbook cookidoo the official thermomix - May 29 2022

web for ones who are time starved the three in one cooking cookbook allows more dishes to be cooked quickly enabling meals to be ready in record time stay inspired with

cookidoo recipe collection everyday cooking for thermomix - Apr 08 2023

web thermomix individual dark chocolate cakes best thermomix recipes by author alyce alexandra everyday thermo cooking cookbook with 100 simple and satisfying recipes

tm5 basic cook book english thermomix singapore - Oct 02 2022

web thermomix is the most advanced kitchen appliance on the market today thermomix everyday magazine out now cooking for me and you cookbook thermomix

your cookbooks are on cookidoo cookidoo the - Jul 11 2023

web make the most of your thermomix by using it every day with so many recipes to choose from it s easy to make home cooked breakfasts lunches and dinners and don t forget

download thermomix cookbook recipe ebooklet - May 09 2023

web aug 14 2023 cookidoo is an online recipe platform that includes over 90 000 recipes for the thermomix by connecting your thermomix tm6 to cookidoo you can use

shop everyday thermo cooking cookbook signed copy - Mar 07 2023

web feb 22 2005 read an excerpt spicy tomato sauce from giada de laurentiis s everyday italian makes about 1 quart serves

4 over a pound of pasta as a main course the

everyday italian 125 simple and delicious recipes a - Feb 06 2023

web discover italian cuisine italy is known for history culture and breath taking landscapes but above all for its culinary passion and traditions as a result mouth watering recipes have

daily asian cooking       **cookbook thermomix** - Mar 27 2022

web 27 20 2 cm this book compiles 65 budget friendly recipes that have been tried and tested to ensure flavourful results can be achieved consistently every time so easy and

thermomix three in one cooking cookbook bilingual - Apr 27 2022

web description take your thermomix cooking to the next level with this inspiring bilingual collection of more than 60 recipes from thermomix consultants and users we ensure

[the basic cookbook cookidoo the official thermomix](#) - Dec 24 2021

web recipes in this soft cover cookbook are only meant

welcome to simple ideas cookidoo the official thermomix - Jul 31 2022

web the quintessential thermomix everyday cookbook is designed to help you prepare dishes using your thermomix whilst also learning and exploring all of its features and

everyday cookbook cookidoo the official thermomix - Jun 10 2023

web oct 12 2021 at thermomix we aim for perfection with each of our recipes time to time again we take in feedback from our user community and tweak the recipes so they

everyday cooking for thermomix families tm5 tm6 - Sep 13 2023

web dimensions 30 24 4 cm recipes in this soft cover cookbook are only meant to be prepared in thermomix tm5 everyday cooking for thermomix families features

le vase de sable film 1974 allociné - Jul 18 2023

web le vase de sable est un film réalisé par yoshitaro nomura avec tetsuro tamba go kato synopsis deux détectives enquêtent sur le meurtre d un policier qui allait prendre sa retraite

le vase de sable festival des 3 continents - Mar 14 2023

web japonais festival 2021 100 ans de la shochiku deux détectives entament un périple à la recherche d indices qui leur permettront d élucider le meurtre d un vieil homme retrouvé sans vie dans une gare de triage quasiment inconnu en france

nomura réalisa autour de 90 longs métrages

prix bd lycée 2024 les lycéens de sablé sur sarthe auront un - Oct 29 2021

web 2 days ago ouvert dans le passé aux collégiens le prix bd organisé par la médiathèque intercommunale de sablé sur

sarthe est désormais exclusivement réservé aux lycéens pour l'édition 2024

vase et sable traduction anglaise liguee - Sep 27 2021

web de très nombreux exemples de phrases traduites contenant vase et sable dictionnaire anglais français et moteur de recherche de traductions anglaises

comment décorer un vase transparent avec du sable pots de - Apr 03 2022

web dec 23 2020 idées pour décorer avec des vases de sable 1 remplir un vase avec du sable coloré c est une option très simple qui peut tout aussi bien pencher vers un style naturel qu'un style plus extravagants par exemple si vous mélangez deux types de sable naturel blanc et brun vous obtenez un arrangement discret simple et beau

le vase de sable livre de seichō matsumoto booknode - Jun 05 2022

web 2 commentaires et 2 extraits découvrez le livre le vase de sable lu par 6 membres de la communauté booknode

vase sable au meilleur prix leroy merlin - Nov 10 2022

web vase sable la sélection produits leroy merlin de ce mardi au meilleur prix retrouvez ci après nos 25 offres marques références et promotions en stock prêtes à être livrées rapidement dans nos magasins les plus proches de chez vous

décorer un vase transparent avec du sable comment faire - Dec 31 2021

web dec 12 2021 la forme du vase importe peu pourvu qu'il soit grand et transparent mettez y du sable jusqu'à la moitié puis mettez y vos plantes rajoutez ensuite du sable afin de couvrir les mottes quant à l'entretien il vous suffit de pulvériser un peu d'eau sur le sable de façon régulière

amazon fr vase de sable le matsumoto seichō livres - Aug 19 2023

web noté 5 retrouvez vase de sable le et des millions de livres en stock sur amazon fr achetez neuf ou d'occasion

amazon fr vase ceremonie du sable mariage - Feb 01 2022

web 1 48 sur 247 résultats pour vase ceremonie du sable mariage résultats en apprendre plus sur ces résultats le prix et d'autres détails peuvent varier en fonction de la taille et de la couleur du produit kdo magic vase personnalisable en gravure mariage coeur et alliance fleur prénom personnalisé cadeau vase ovale 135 24 90

le vase de sable wikiwand - Jan 12 2023

web le vase de sable est un film japonais réalisé par yoshitarō nomura et sorti en 1974 c'est l'adaptation du roman homonyme de seichō matsumoto

le vase de sable poche seicho matsumoto rose marie - Feb 13 2023

web faites connaissance avec l'inspecteur imanishi voyageur infatigable il enquête de train en train aux quatre coins du japon dans les eaux troubles de la musique et du théâtre d'avant garde il recherche un meurtrier avec un drôle d'accent découvre les subtilités de la musique concrète et reconstitue patiemment les états civils

autel vandalisé vases sacrés volés à rouen la basilique du - Nov 29 2021

web nov 16 2023 une enquête confiée à la police judiciaire de rouen a été ouverte des vases sacrés volés une statue cassée l autel dans un état épouvantable cassé la basilique du

le vase de sable yoshitaro nomura dvd zone 2 fnac - Oct 09 2022

web aug 26 2008 est ce le nom d une personne ou celui d un lieu le travail du policier s annonce alors comme une épreuve surhumaine à la mesure de la vérité qu il finira par découvrir incroyable et bouleversante le vase de sable a été le plus gros succès au box office nippon des années 70

le vase de sable seicho matsumoto babelio - Sep 20 2023

web may 19 1998 résumé faites connaissance avec l inspecteur imanishi voyageur infatigable il enquête de train en train aux quatre coins du japon dans les eaux troubles de la musique et du théâtre d avant garde il recherche un meurtrier avec un drôle d accent découvre les subtilités de la musique concrète et reconstitue patiemment les états civils

le vase de sable wikipédia - Oct 21 2023

web le vase de sable 砂の壺 suna no utsuwa est un film japonais réalisé par yoshitarō nomura et sorti en 1974 c est l adaptation du roman homonyme de seichō matsumoto synopsis imanishi et yoshimura sont chargés de retrouver le meurtrier d un vieil homme retrouvé matraqué à mort dans une gare de triage

vases de cérémonie sable etsy france - Dec 11 2022

web ensemble de cérémonie de sable pour les mariages idées de cérémonie d unité vase de sable d unité décor de mariage de plage boîte d ombre de cérémonie de sable de mariage de famille mélangée

le vase de sable pas cher achat neuf et occasion rakuten - Aug 07 2022

web achat le vase de sable pas cher neuf et occasion promos et prix réduits imbattables en ligne cashback de 5 minimum sur votre commande

where to buy a vase in singapore wandewoo - Sep 08 2022

web vases bowls vases are great decorative piece as they add color and design to a space placing an aesthetically pleasing bloom in the right vase can dramatically transform your living space and improve the mood and ambiance of your environment they make an excellent housewarming gift too wandewoo provides you the right place where to buy

critique du film le vase de sable allociné - Jul 06 2022

web retrouvez les 5 critiques et avis pour le film le vase de sable réalisé par yoshitaro nomura avec tetsuro tamba go kato kensaku morita

le vase de sable seichō matsumoto senscritique - May 16 2023

web le vase de sable est un livre de seichō matsumoto résumé arrivé au septième wagon le mécanicien dirigea de loin le

faisceau de sa torche vers les roues dans la
[vase verre sablé etsy france](#) - Apr 15 2023


web vase verre sablé 295 résultats pertinents prix boutiques de partout tous les vendeurs grand vase sur pied en verre soufflé et bulle de la verrerie de biot signé biot verre rose des sables vintage 642 76 00 95 00 20 de réduction 7 vases imitation de vases gallo romains verre irrégulier verre sablé 1 1k 225 00

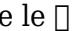

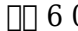
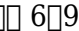
vase cérémonie du sable etsy france - May 04 2022

web vase cérémonie du sable 206 résultats pertinents prix boutiques de partout tous les vendeurs vase mariage bohème romantique vase verre recyclé décoration bord de mer vase mariage récipient sable mariage vase en verre 127 8 90 set de cérémonie du sable cérémonie de mariage rustique cadeau personnalisé de mariage 677 63 00

amazon fr sable coloré pour vase - Mar 02 2022

web 1 48 sur plus de 1 000 résultats pour sable coloré pour vase résultats en apprendre plus sur ces résultats le prix et d'autres détails peuvent varier en fonction de la taille et de la couleur du produit

[amazon co jp vase de sable le](#)  - Jun 17 2023

web amazon co jp vase de sable le  amazon student   6 058  6 9 20 