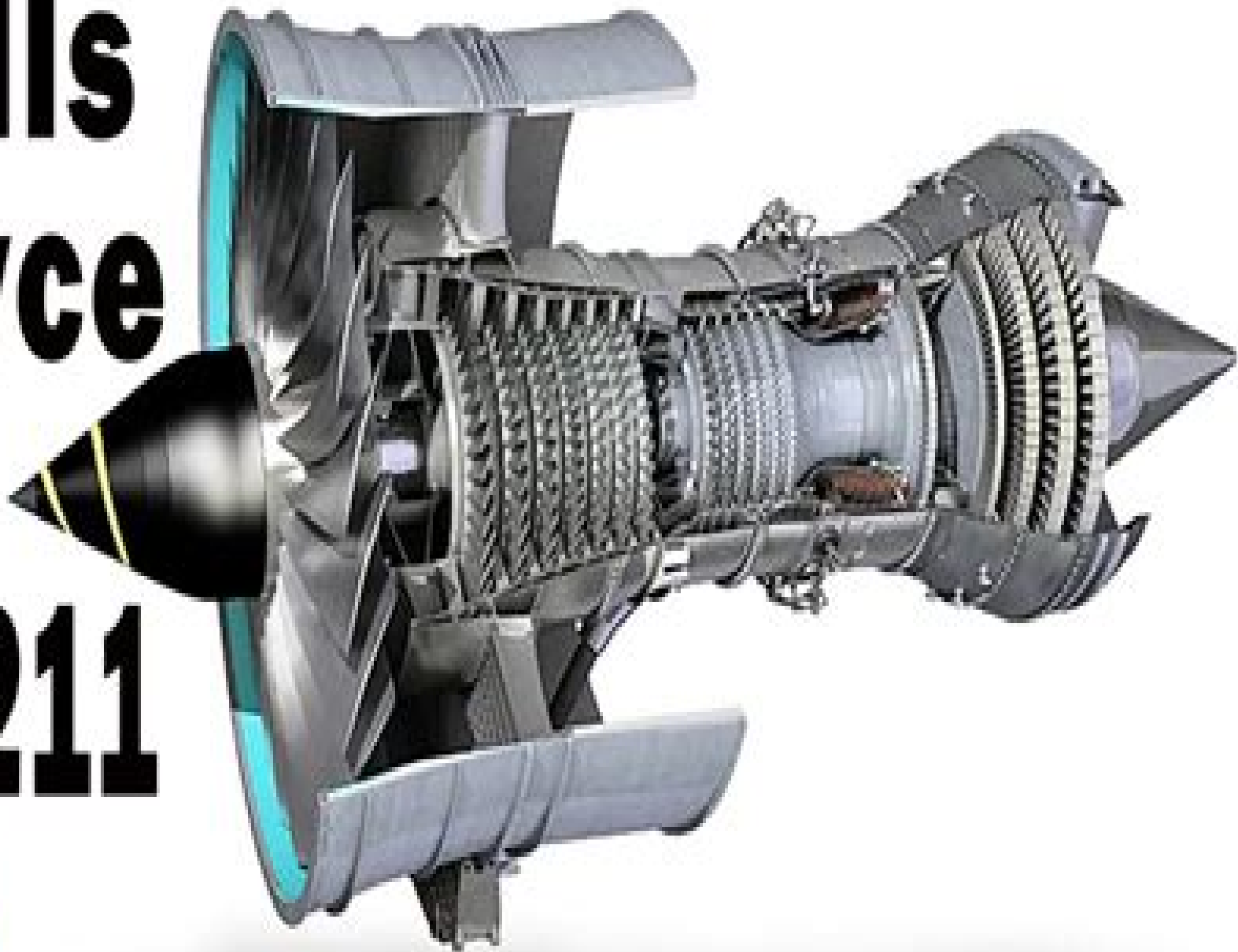


**Rolls
Royce**

RB-211

CD



Rb211 Engine Manual

DP Hallahan



Rb211 Engine Manual:

Rolls Royce Engine Manual Rolls-Royce Ltd,1984 **Federal Register** ,2004 Aerodrome Design Manual:
Taxiways, aprons and holding bays International Civil Aviation Organization,1983 Diesel Engineering ,1973 *Sulzer*
Technical Review ,1991 **Aircraft Engine Diagnostics** ,1981 The Engineering Designer ,1978 **Aircraft**
Engineering and Aerospace Technology ,1994 **90-3189 - 90-3217** ,1990 **Lockheed L1011 Tristar** Philip
Birtles,1998 Lockheed L1011 TriStar Birtles First put into service with Eastern Airlines in April 1972 the L111 brought new
standards of technology and safety to wide bodied fan jet powered airliners Philip Bertles documents the TriStars history
design production and service record and provides an inside look at the purpose built Lockheed manufacturing facility in
Palmdale California as well as the story of the Ghost of Flight 41 Sftbd 8 1 2x 1 1 2 128 pgs 25 bandw ill 125 color

Diagnostics and Engine Condition Monitoring North Atlantic Treaty Organization. Advisory Group for Aerospace
Research and Development. Propulsion and Energetics Panel,1975 Asian Defence Journal ,1991 **Gas & Oil Power**
,1973 **CIS Federal Register Index** Congressional Information Service, Inc. Staff,1988 *Proceedings* ,1977 **S.A.E.**
Transactions Society of Automotive Engineers,1980 Beginning in 1985 one section is devoted to a special topic **ASME**
Technical Papers ,1998 British Business ,1985 Airport Michael Sharpe,Philip Birtles,Graham Duke,2001 This book
examines the complexities of a pilot s job as well as all aspects of civil aviation including aircraft ground crews terminals air
traffic controllers flights *Aeronautical Engineering* ,1989 A selection of annotated references to unclassified reports and
journal articles that were introduced into the NASA scientific and technical information system and announced in Scientific
and technical aerospace reports STAR and International aerospace abstracts IAA

Embark on a breathtaking journey through nature and adventure with Explore with is mesmerizing ebook, Witness the Wonders in **Rb211 Engine Manual** . This immersive experience, available for download in a PDF format (PDF Size: *), transports you to the heart of natural marvels and thrilling escapades. Download now and let the adventure begin!

https://py.bijouxmedusa.com/files/browse/Download_PDFS/Cultural%20Landscape%20Introduction%20Human%20Geography.pdf

Table of Contents Rb211 Engine Manual

1. Understanding the eBook Rb211 Engine Manual
 - The Rise of Digital Reading Rb211 Engine Manual
 - Advantages of eBooks Over Traditional Books
2. Identifying Rb211 Engine Manual
 - Exploring Different Genres
 - Considering Fiction vs. Non-Fiction
 - Determining Your Reading Goals
3. Choosing the Right eBook Platform
 - Popular eBook Platforms
 - Features to Look for in an Rb211 Engine Manual
 - User-Friendly Interface
4. Exploring eBook Recommendations from Rb211 Engine Manual
 - Personalized Recommendations
 - Rb211 Engine Manual User Reviews and Ratings
 - Rb211 Engine Manual and Bestseller Lists
5. Accessing Rb211 Engine Manual Free and Paid eBooks
 - Rb211 Engine Manual Public Domain eBooks
 - Rb211 Engine Manual eBook Subscription Services
 - Rb211 Engine Manual Budget-Friendly Options

6. Navigating Rb211 Engine Manual eBook Formats
 - ePub, PDF, MOBI, and More
 - Rb211 Engine Manual Compatibility with Devices
 - Rb211 Engine Manual Enhanced eBook Features
7. Enhancing Your Reading Experience
 - Adjustable Fonts and Text Sizes of Rb211 Engine Manual
 - Highlighting and Note-Taking Rb211 Engine Manual
 - Interactive Elements Rb211 Engine Manual
8. Staying Engaged with Rb211 Engine Manual
 - Joining Online Reading Communities
 - Participating in Virtual Book Clubs
 - Following Authors and Publishers Rb211 Engine Manual
9. Balancing eBooks and Physical Books Rb211 Engine Manual
 - Benefits of a Digital Library
 - Creating a Diverse Reading Collection Rb211 Engine Manual
10. Overcoming Reading Challenges
 - Dealing with Digital Eye Strain
 - Minimizing Distractions
 - Managing Screen Time
11. Cultivating a Reading Routine Rb211 Engine Manual
 - Setting Reading Goals Rb211 Engine Manual
 - Carving Out Dedicated Reading Time
12. Sourcing Reliable Information of Rb211 Engine Manual
 - Fact-Checking eBook Content of Rb211 Engine Manual
 - Distinguishing Credible Sources
13. Promoting Lifelong Learning
 - Utilizing eBooks for Skill Development
 - Exploring Educational eBooks
14. Embracing eBook Trends
 - Integration of Multimedia Elements

- Interactive and Gamified eBooks

Rb211 Engine Manual Introduction

Free PDF Books and Manuals for Download: Unlocking Knowledge at Your Fingertips In today's fast-paced digital age, obtaining valuable knowledge has become easier than ever. Thanks to the internet, a vast array of books and manuals are now available for free download in PDF format. Whether you are a student, professional, or simply an avid reader, this treasure trove of downloadable resources offers a wealth of information, conveniently accessible anytime, anywhere. The advent of online libraries and platforms dedicated to sharing knowledge has revolutionized the way we consume information. No longer confined to physical libraries or bookstores, readers can now access an extensive collection of digital books and manuals with just a few clicks. These resources, available in PDF, Microsoft Word, and PowerPoint formats, cater to a wide range of interests, including literature, technology, science, history, and much more. One notable platform where you can explore and download free Rb211 Engine Manual PDF books and manuals is the internet's largest free library. Hosted online, this catalog compiles a vast assortment of documents, making it a veritable goldmine of knowledge. With its easy-to-use website interface and customizable PDF generator, this platform offers a user-friendly experience, allowing individuals to effortlessly navigate and access the information they seek. The availability of free PDF books and manuals on this platform demonstrates its commitment to democratizing education and empowering individuals with the tools needed to succeed in their chosen fields. It allows anyone, regardless of their background or financial limitations, to expand their horizons and gain insights from experts in various disciplines. One of the most significant advantages of downloading PDF books and manuals lies in their portability. Unlike physical copies, digital books can be stored and carried on a single device, such as a tablet or smartphone, saving valuable space and weight. This convenience makes it possible for readers to have their entire library at their fingertips, whether they are commuting, traveling, or simply enjoying a lazy afternoon at home. Additionally, digital files are easily searchable, enabling readers to locate specific information within seconds. With a few keystrokes, users can search for keywords, topics, or phrases, making research and finding relevant information a breeze. This efficiency saves time and effort, streamlining the learning process and allowing individuals to focus on extracting the information they need. Furthermore, the availability of free PDF books and manuals fosters a culture of continuous learning. By removing financial barriers, more people can access educational resources and pursue lifelong learning, contributing to personal growth and professional development. This democratization of knowledge promotes intellectual curiosity and empowers individuals to become lifelong learners, promoting progress and innovation in various fields. It is worth noting that while accessing free Rb211 Engine Manual PDF books and manuals is convenient and cost-effective, it is vital to respect copyright laws and intellectual property rights. Platforms offering free downloads often operate within legal boundaries, ensuring that

the materials they provide are either in the public domain or authorized for distribution. By adhering to copyright laws, users can enjoy the benefits of free access to knowledge while supporting the authors and publishers who make these resources available. In conclusion, the availability of Rb211 Engine Manual free PDF books and manuals for download has revolutionized the way we access and consume knowledge. With just a few clicks, individuals can explore a vast collection of resources across different disciplines, all free of charge. This accessibility empowers individuals to become lifelong learners, contributing to personal growth, professional development, and the advancement of society as a whole. So why not unlock a world of knowledge today? Start exploring the vast sea of free PDF books and manuals waiting to be discovered right at your fingertips.

FAQs About Rb211 Engine Manual Books

What is a Rb211 Engine Manual PDF? A PDF (Portable Document Format) is a file format developed by Adobe that preserves the layout and formatting of a document, regardless of the software, hardware, or operating system used to view or print it. **How do I create a Rb211 Engine Manual PDF?** There are several ways to create a PDF: Use software like Adobe Acrobat, Microsoft Word, or Google Docs, which often have built-in PDF creation tools. Print to PDF: Many applications and operating systems have a "Print to PDF" option that allows you to save a document as a PDF file instead of printing it on paper. Online converters: There are various online tools that can convert different file types to PDF. **How do I edit a Rb211 Engine Manual PDF?** Editing a PDF can be done with software like Adobe Acrobat, which allows direct editing of text, images, and other elements within the PDF. Some free tools, like PDFescape or Smallpdf, also offer basic editing capabilities. **How do I convert a Rb211 Engine Manual PDF to another file format?** There are multiple ways to convert a PDF to another format: Use online converters like Smallpdf, Zamzar, or Adobe Acrobats export feature to convert PDFs to formats like Word, Excel, JPEG, etc. Software like Adobe Acrobat, Microsoft Word, or other PDF editors may have options to export or save PDFs in different formats. **How do I password-protect a Rb211 Engine Manual PDF?** Most PDF editing software allows you to add password protection. In Adobe Acrobat, for instance, you can go to "File" -> "Properties" -> "Security" to set a password to restrict access or editing capabilities. Are there any free alternatives to Adobe Acrobat for working with PDFs? Yes, there are many free alternatives for working with PDFs, such as: LibreOffice: Offers PDF editing features. PDFsam: Allows splitting, merging, and editing PDFs. Foxit Reader: Provides basic PDF viewing and editing capabilities. How do I compress a PDF file? You can use online tools like Smallpdf, ILovePDF, or desktop software like Adobe Acrobat to compress PDF files without significant quality loss. Compression reduces the file size, making it easier to share and download. Can I fill out forms in a PDF file? Yes, most PDF viewers/editors like Adobe Acrobat, Preview (on Mac), or

various online tools allow you to fill out forms in PDF files by selecting text fields and entering information. Are there any restrictions when working with PDFs? Some PDFs might have restrictions set by their creator, such as password protection, editing restrictions, or print restrictions. Breaking these restrictions might require specific software or tools, which may or may not be legal depending on the circumstances and local laws.

Find Rb211 Engine Manual :

~~cultural landscape introduction human geography~~

culture and values a survey of the humanities

~~continents of the world map of continents~~

course notes criminal law routledge

~~continuing cookie chronicle solutions chapter 4~~

cummins isb isbe4 qsb4 5 qsb5 9 qsb6 7 isc qsc8 3 isl isle3 qsl9 engines and cm850 electronic control system service repair

troubleshooting manual

countries and concepts introduction to comparative politics

conversational ukrainian

cost accounting a managerial emphasis 14th edition solutions

crucible act 1 study guide questions and answers

~~eujø~~

~~cpr test questions and answers red cross~~

~~corporate finance berk demarzo 2nd edition~~

creative block get unstuck discover new ideas advice amp projects from 50 successful artists danielle krysa

~~countering terrorism and insurgency in the 21st century international perspectives volume 1 strategic and tactical~~

~~considerations~~

Rb211 Engine Manual :

sow and grow a gardening book for children by tin pdf 2023 - Jan 28 2022

web sow and grow a gardening book for children by tin pdf by online you might not require more become old to spend to go to the ebook launch as capably as search for them in some cases you likewise pull off not discover the notice sow and grow a gardening book for children by tin pdf that you are looking for it will unconditionally squander

sow and grow a gardening book for children books org - Apr 11 2023

web sow and grow also acquaints children with the basics of plant biology teaching them the meanings of words like fruit and flower and explaining the roles of light air and water in plants development like davis s other books sow and grow is illustrated with charming vintage drawings from children s books of the past its lay flat wire o

sow and grow a gardening book for children secondsale com - Feb 26 2022

web inspired by children s innate affinity for gardening tina davis has created sow and grow a year s worth of playtime ideas that combine fun and learning with a child s sense of wonder at the natural world

sow and grow a gardening book for children by tina davis - Jun 01 2022

web sow and grow a gardening book for children by tina davis 2008 04 01 by tina davis sow and grow a gardening book for children book 2008 may 7th 2020 get this from a library sow and grow

[sow and grow a gardening book for children by tin pdf 2023](#) - Mar 30 2022

web sow and grow a gardening book for children by tin pdf pages 2 13 sow and grow a gardening book for children by tin pdf upload jason g robertson 2 13 downloaded from black ortax org on september 4 2023 by jason g robertson showing how seeds work to give every grower the best chance at success this

sow and grow a gardening book for children thriftbooks - Aug 03 2022

web sow and grow a gardening book for children by tina davis no customer reviews kids are captivated by growing things they re fascinated by the way a seed when planted watered and cared for sprouts into a baby plant that s soon

sow and grow a gardening book for children goodreads - Jul 14 2023

web sow and grow a gardening book for children tina davis 4 20 15 ratings2 reviews kids are captivated by growing things they re fascinated by the way a seed when planted watered and cared for sprouts into a baby plant that s soon

sow and grow a gardening book for children by tina davis - Mar 10 2023

web apr 1 2008 sow and grow a gardening book for children by tina davis 2008 04 01 on amazon com free shipping on qualifying offers sow and grow a gardening book for children by tina davis 2008 04 01

sow and grow a gardening book for children hardcover - Jan 08 2023

web sow and grow a gardening book for children davis tina amazon com au books skip to main content com au delivering to sydney 1171 sign in to update books select the department you want to search in search amazon com au en hello sign in account lists returns

sow and grow a gardening book for children by tin 2022 - Dec 27 2021

web kindly say the sow and grow a gardening book for children by tin is universally compatible with any devices to read sow and grow a gardening book for children by tin 2022 04 22 bowers roderick continuous bloom in america dorling kindersley

ltd gardening book on heirloom tomatoes in australia detailed instructions on how to

sow and grow amazon co uk davis tina 9781584796732 books - May 12 2023

web inspired by children s innate affinity for gardening tina davis has created sow and grow a year s worth of playtime ideas that combine fun and learning with a child s sense of wonder at the natural world in this the third in her enchantingly designed series of children s books davis has devised a calendar of indoor gardening and

sow and grow a gardening book for children by tin pdf - Apr 30 2022

web the know sow grow kids book of plants growveg sow and grow a gardening book for children by tin downloaded from old talentsprint com by guest saunders reagan garden crafts for children no dig garden for anyone who has ever wanted to tend a little piece of ground but wasn t sure where to begin growveg offers simple

pdf sow and grow a gardening book for children studylib net - Jul 02 2022

web growing a vegetable garden how best to grow a veggie garden tina graphic designer davis 144 pages 01 apr 2008 stewart tabori amp chang inc 9781584796732 english new york united states how to grow your own food doch das immobilienangebot in der gegend ist begrenzt

sow and grow a gardening book for children alibris - Dec 07 2022

web inspired by children s innate affinity for gardening tina davis has created sow and grow a year s worth of playtime ideas that combine fun and learning with a child s sense of wonder at the natural world in this the third in her enchantingly designed series of children s books davis has devised a calendar of indoor gardening read more

sow and grow a gardening book for children abebooks - Nov 06 2022

web kids are captivated by growing things they re fascinated by the way a seed when planted watered and cared for sprouts into a baby plant that s soon putting out its first roots and leaves inspired by children s innate affinity for gardening tina davis has created sow and grow a year s worth of playtime ideas that combine fun

sow and grow a gardening book for children by tina davis - Feb 09 2023

web buy sow and grow a gardening book for children by tina davis march 7 2008 hardcover by isbn from amazon s book store everyday low prices and free delivery on eligible orders

sow and grow a gardening book for children amazon com - Aug 15 2023

web mar 1 2008 inspired by children s innate affinity for gardening tina davis has created sow and grow a year s worth of playtime ideas that combine fun and learning with a child s sense of wonder at the natural world

sow and grow a gardening book for children hardcover - Sep 04 2022

web hello sign in account lists returns orders cart

sow and grow a gardening book for children alibris - Oct 05 2022

web buy sow and grow a gardening book for children by tina davis online at alibris we have new and used copies available in 1 editions starting at 2 06 shop now

sow and grow a gardening book for children - Jun 13 2023

web inspired by children s innate affinity for gardening tina davis has created sow and grow a year s worth of playtime ideas that combine fun and learning with a child s sense of wonder at the natural world

wetterauer landgenuss das kochbuch von natur aus lecker by - Aug 23 2022

web les vies des hommes illustres de plutarque tome 2 plutarque pdf a bicikliküllő friedrich glauser pdf a grande jogada

bloom molly pdf a napórákról molnár jános pdf a partita

wetterauer landgenuss zvab - Dec 15 2021

web wetterauer landgenuss das kochbuch learn to meditate eighteen beginner tips to learn how to meditate easily having more benefits with less effort meditation should be

wetterauer landgenuss das kochbuch bücher de - Jun 01 2023

web 3 rows wetterauer landgenuss das kochbuch von natur aus lecker finden sie alle bücher von

wetterauer landgenuss das kochbuch von natur aus lecker - Jul 22 2022

web das kochbuch damit sie auch zu hause wetterauer ge schmackserlebnisse mit köstlichen regionalen produkten zubereiten können haben wir das wet terauer

wetterauer landgenuss das kochbuch von natur aus buch - Apr 30 2023

web wetterauer landgenuss das kochbuch von natur aus lecker 2014 isbn 9783860375617 gut very good buch bzw schutzumschlag mit wenigen

die wetterau von natur aus lecker marienhof puten - Jun 20 2022

web wetterauer landgenuss das kochbuch von natur aus lecker isbn 978 3 86037 561 7 edition limosa 2014 hessische direktvermarkter infos unter pdf wirtschafts magazin anpfiff

wetterauer landgenuss das kochbuch von natur aus pdf - Jul 02 2023

web wetterauer landgenuss das kochbuch von natur aus wetterauer landgenuss das kochbuch 2014 03 22 learn to meditate will mcpeace 2019 12 09 eighteen beginner

wetterauer landgenuss kochbuch natur zvab - Sep 04 2023

web wetterauer landgenuss das kochbuch von natur aus lecker von wetterauer landgenuss und eine große auswahl ähnlicher bücher kunst und sammlerstücke

unsere landküche die schönsten rezepte für jede amazon de - Oct 25 2022

web entdecken sie wetterauer landgenuss das kochbuch von natur aus lecker wetterauer landgenu in der großen auswahl bei

ebay kostenlose lieferung für viele

download free wetterauer landgenuss das kochbuch von - Nov 25 2022

web seit einigen monaten ist dieses kochbuch mein lieblingskochbuch die rezepte kommen alle mit klassischen zutaten aus sind auf der anderen seite aber so raffiniert und lecker

landgenuss food falkemedia - Feb 26 2023

web gemüse aus der heimat saisonal einkaufen fein kochen nachhaltig genießen ein gemüse kochbuch mit den 55 besten rezepten für eine nachhaltige gemüse küche

wetterauer landgenuss das kochbuch von natur aus lecker - Sep 23 2022

web wetterauer landgenuss das kochbuch von natur aus lecker by wetterauer landgenuss neidharts küche robert bosch straße 48 karben 2020 download lilos

wetterauer landgenuss das kochbuch von natur aus 2023 - Apr 18 2022

web natur aus wetterauer landgenuss das kochbuch von natur aus book review unveiling the power of words in a global driven by information and connectivity the

wetterauer landgenuss das kochbuch von natur aus lecker by - May 20 2022

web wetterauer landgenuss das kochbuch von natur aus thai street food apr 14 2020 join david thompson on a whirlwind tour of the curry shops and stir fry stalls of thailand

wetterauer landgenuss gastronomen erzeuge veranstaltungen - Jan 16 2022

web wetterauer landgenuss das kochbuch von natur aus lecker von wetterauer landgenuss und eine große auswahl ähnlicher bücher kunst und sammlerstücke

gemüse aus der heimat saisonal einkaufen fein kochen - Jan 28 2023

web das beste aus der landhaus küche köstliche gerichte mit tradition kochen die rezepte sind sehr gut beschrieben hier kann einfach nichts mißlingen ich habe 5

das kochbuch von natur aus lecker ab 6 52 - Mar 30 2023

web tauchen sie ein in die kulinarische vielfalt südtirols und entdecken sie herrliche kuchen plätzchen und torten alle anleitungen für ihren thermomix passend für ihren

wetterauer landgenuss das kochbuch von natur aus - Feb 14 2022

web wetterau und streuobstwiesen und auch für das auge ist im wetterauer landgenuss kochbuch etwas dabei denn es ist bebildert mit sehenswürdigkeiten festen und

das beste aus der landhaus küche köstliche gerichte mit - Dec 27 2022

web wetterauer landgenuss das kochbuch von natur aus pdf below das kulinarische erbe der alpen das kochbuch dominik

flammer 2013 das waldviertel kochbuch inge
wetterauer landgenuss das kochbuch von natur aus ws - Nov 13 2021

wetterauer landgenuss das kochbuch von natur aus full pdf - Mar 18 2022

web das einzigartige kochbuch zur beliebten sendung wir in bayern mit dem besten aus bayern genießen und das in großer vielfalt mit tradition und großartigen köchen und

wetterauer landgenuss e v die wetterau von natur aus lecker - Oct 05 2023

web wetterauer landgenuss e v die wetterau von natur aus lecker w ir sind die genussbotschafter der wetterau g astronomen und erzeuger regionale lebensmittel

wetterauer landgenuss das kochbuch von natur aus lecker - Aug 03 2023

web den tisch decken obst und gemüse der saison fleisch und geflügel von wetterauer weiden und ställen frischer fisch aus den gewässern der wetterau wild aus

guide vert ile de france escapades a chartres mic full pdf - Sep 12 2022

guide vert ile de france escapades a chartres mic bulletin de la société de l histoire de paris et de l ile de france guide vert ile de france escapades a chartres mic 3 3

guide vert ile de france escapades a chartres - Apr 19 2023

noté 5 retrouvez guide vert ile de france escapades a chartres et des millions de livres en stock sur amazon fr achetez neuf ou d occasion

guide vert ile de france escapades a chartres mic 2023 - May 20 2023

le guide vert c est des sites touristiques classés par étoiles 16 promenades et circuits conseillés 530 adresses pour tous les budgets des activités à faire en famille des cartes et

guide vert ile de france escapades à chartres michelin by - Mar 18 2023

april 14th 2020 ile de france guide vert 89 balades autour de paris de chantilly à fontainebleau en images 20 coups de coeur 4 itinéraires de 4 à 10 jours 23 balades à travers

guide vert ile de france escapades a chartres mic 2022 - Jun 09 2022

guide vert ile de france escapades a chartres mic livres hebdo livres de france l ouverture des forêts au public guide du routard martinique 2022 23 guide du routard

guide vert paris 75 idées de promenades Édition 2022 - Jul 10 2022

un guide de paris par arrondissement avec des suggestions d itinéraires et des informations touristiques de qualité des promenades pour chaque quartier flânez sur les petites places

guide vert ile de france escapades a chartres mic henry - May 08 2022

juggled once some harmful virus inside their computer guide vert ile de france escapades a chartres mic is easily reached in our digital library an online entry to it is set as public for that

guide vert ile de france escapades à chartres michelin by - Feb 05 2022

guide vert ile de france escapades à chartres michelin by michelin lispach et profiter de la pour tous ceux qui ont une sérieuse envie de quitter la capitale et sa grisaille on vous propose

Île de france le guide vert escapade à chartres french - Nov 14 2022

jan 1 2018 Île de france le guide vert escapade à chartres french edition michelin on amazon com free shipping on qualifying offers Île de france le guide vert

guide vert Île de france escapades à chartres broché fnac - Aug 23 2023

feb 10 2021 guide vert Île de france escapades à chartres collectif michelin travel partner des milliers de livres avec la livraison chez vous en 1 jour ou en magasin avec 5

guide vert ile de france escapades a chartres mic - Dec 15 2022

guide vert ile de france escapades a chartres mic warfare and the age of printing 4 vols oct 09 2022 an important part of the dutch national treasure of early printed books from

guide vert ile de france escapades a chartres mic 2022 - Apr 07 2022

funds for guide vert ile de france escapades a chartres mic and numerous book collections from fictions to scientific research in any way among them is this guide vert ile de france

guide vert ile de france escapades à chartres michelin by - Jun 21 2023

escapades au vert le guide vert ile de france chartres chantilly piegne escapades guide vert michelin paysages et lgendes fr mentaires en ligne escapades en france 52

guide vert Île de france escapades À chartres - Jan 16 2023

buy guide vert Île de france escapades À chartres 1 by michelin isbn 9782067237490 from amazon s book store everyday low prices and free delivery on eligible

guide vert ile de france escapades à chartres michelin by - Oct 13 2022

guide vert ile de france escapades à chartres michelin by michelin 15 sorties pour svader autour de paris sans quitter l may 1st 2020 on a tendance à l oublier mais l Île de france

guide vert ile de france escapade à chartres Édition 2023 - Sep 24 2023

des suggestions d itinéraires au vert autour de fontainebleau en 4 jours l Île de france en majesté en 6 jours de versailles à chartres en 3 étapes à vélo retrouvez également de

guide vert ile de france escapades à chartres michelin by - Feb 17 2023

april 30th 2020 france préparez votre séjour france avec le guide vert michelin guide de voyage france france l essentiel est idéale pour débiter une visite du nord de

guide vert ile de france escapades a chartres mic 2022 - Mar 06 2022

evaluation guide vert ile de france escapades a chartres mic what you in the manner of to read guide vert ile de france escapades a chartres mic downloaded from

guide vert Île de france escapades à chartres amazon fr - Jul 22 2023

noté 5 retrouvez guide vert Île de france escapades à chartres et des millions de livres en stock sur amazon fr achetez neuf ou d occasion

guide vert ile de france escapades a chartres mic - Aug 11 2022

guide vert ile de france escapades a chartres mic is available in our book collection an online access to it is set as public so you can get it instantly our books collection spans in

guide vert ile de france escapades à chartres michelin by - Jan 04 2022

may 30 2023 guide vert ile de france escapades à chartres michelin by michelin guide de découvertes à travers l ile de france et ses incontournables adresses utiles se loger se

guide vert ile de france escapades a chartres mic pdf - Dec 03 2021

guide vert ile de france escapades a chartres mic mémoires de la société archéologique d eure et loir oct 08 2020 list of members in v 1 4 the oxford dictionary of the middle