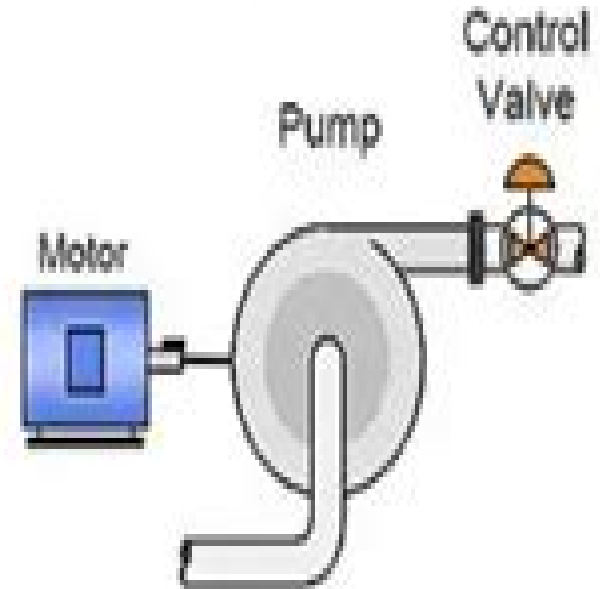
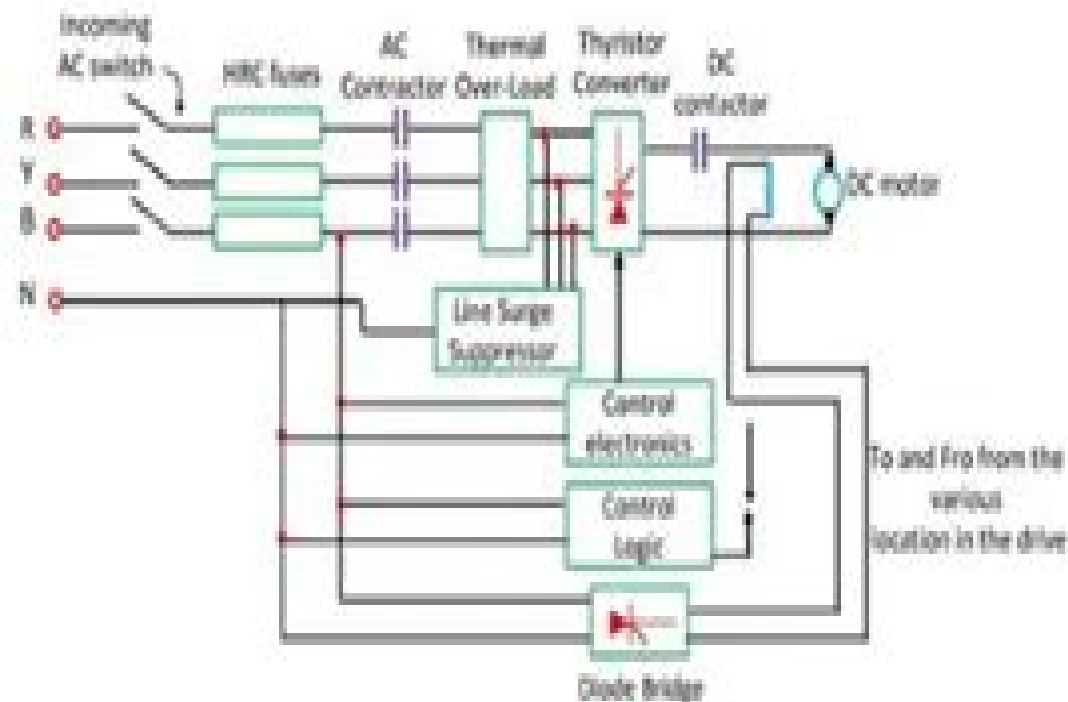
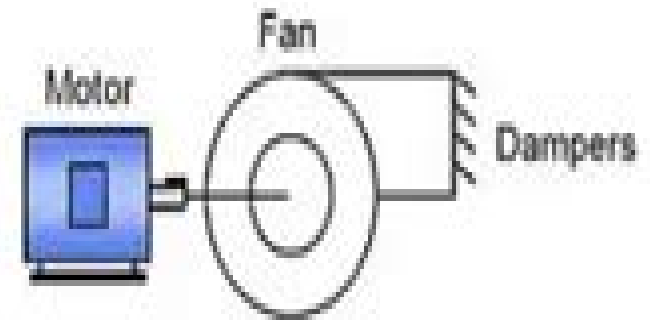


How Electrical Drives Are Controlled



Electrical 4 U

Basic Electrical Drives And Control

Jianjun Gao



Basic Electrical Drives And Control:

Electrical Machine Drives Control Juha Pyrhonen,Valeria Hrabovcova,R. Scott Semken,2016-10-03 This comprehensive text examines existing and emerging electrical drive technologies The authors clearly define the most basic electrical drive concepts and go on to explain the most important details while maintaining a solid connection to the theory and design of the associated electrical machines Also including links to a number of industrial applications the authors take their investigation of electrical drives beyond theory to examine a number of practical aspects of electrical drive control and application Key features Provides a comprehensive summary of all aspects of controlled speed electrical drive technology including control and operation Handling of electrical drives is solidly linked to the theory and design of the associated electrical machines Added insight into problems and functions are illustrated with clearly understandable figures Offers an understanding of the main phenomena associated with electrical machine drives Considers the problem of bearing currents and voltage stresses of an electrical drive Includes up to date theory and design guidelines taking into account the most recent advances This book s rigorous coverage of theoretical principles and techniques makes for an excellent introduction to controlled speed electrical drive technologies for Electrical Engineering MSc or PhD students studying electrical drives It also serves as an excellent reference for practicing electrical engineers looking to carry out design analyses and development of controlled speed electrical drives

Electrical Machine Drives Control Juha Pyrhonen,Valeria Hrabovcova,R. Scott Semken,2016-11-14 This comprehensive text examines existing and emerging electrical drive technologies The authors clearly define the most basic electrical drive concepts and go on to explain the most important details while maintaining a solid connection to the theory and design of the associated electrical machines Also including links to a number of industrial applications the authors take their investigation of electrical drives beyond theory to examine a number of practical aspects of electrical drive control and application Key features Provides a comprehensive summary of all aspects of controlled speed electrical drive technology including control and operation Handling of electrical drives is solidly linked to the theory and design of the associated electrical machines Added insight into problems and functions are illustrated with clearly understandable figures Offers an understanding of the main phenomena associated with electrical machine drives Considers the problem of bearing currents and voltage stresses of an electrical drive Includes up to date theory and design guidelines taking into account the most recent advances This book s rigorous coverage of theoretical principles and techniques makes for an excellent introduction to controlled speed electrical drive technologies for Electrical Engineering MSc or PhD students studying electrical drives It also serves as an excellent reference for practicing electrical engineers looking to carry out design analyses and development of controlled speed electrical drives

Process Control Béla G. Lipták,2013-10-02 Instrument Engineers Handbook Third Edition Process Control provides information pertinent to control hardware including transmitters controllers control valves displays and computer systems This book presents the control theory and shows how the unit processes of distillation and

chemical reaction should be controlled Organized into eight chapters this edition begins with an overview of the method needed for the state of the art practice of process control This text then examines the relative merits of digital and analog displays and computers Other chapters consider the basic industrial annunciators and other alarm systems which consist of multiple individual alarm points that are connected to a trouble contact a logic module and a visual indicator This book discusses as well the data loggers available for process control applications The final chapter deals with the various pump control systems the features and designs of variable speed drives and the metering pumps This book is a valuable resource for engineers

Applied Control of Electrical Drives Duco W. J. Pulle,Pete Darnell,André Veltman,2015-09-17 Provides an overall understanding of all aspects of AC electrical drives from the motor and converter to the implemented control algorithm with minimum mathematics needed Demonstrates how to implement and debug electrical drive systems using a set of dedicated hardware platforms motor setup and software tools in VisSim™ and PLECS™ No expert programming skills required allowing the reader to concentrate on drive development Enables the reader to undertake real time control of a safe low voltage and low cost experimental drive This book puts the fundamental and advanced concepts behind electric drives into practice Avoiding involved mathematics whenever practical this book shows the reader how to implement a range of modern day electrical drive concepts without requiring in depth programming skills It allows the user to build and run a series of AC drive concepts ranging from very basic drives to sophisticated sensorless drives Hence the book is the only modern resource available that bridges the gap between simulation and the actual experimental environment Engineers who need to implement an electrical drive or transition from sensed to sensorless drives as well as students who need to understand the practical aspects of working with electrical drives will greatly benefit from this unique reference

Control of Electrical Drives Werner Leonhard,2012-12-06 Electrical drives play an important part as electromechanical energy converters in transportation materials handling and most production processes This book presents a unified treatment of complete electrical drive systems including the mechanical parts electrical machines and power converters and control Since it was first published in 1985 the book has found its way onto many desks in industry and universities all over the world For the second edition the text has been thoroughly revised and updated with the aim of offering the reader a general view of the field of controlled electrical drives which are maintaining and extending their importance as the most flexible source of controlled mechanical energy

Sliding Mode Control for Synchronous Electric Drives Sergey E. Ryvkin,Eduardo Palomar Lever,2011-11-21 This volume presents the theory of control systems with sliding mode applied to electrical motors and power converters It demonstrates the methodology of control design and the original algorithms of control and observation Practically all semiconductor devices are used in power converters that feed electrical motors as power switches A switch

Instrument Engineers' Handbook,(Volume 2) Third Edition Bela G. Liptak,1995-05-15 This third edition of the Instrument Engineers Handbook most complete and respected work on process instrumentation and control helps you

Proceedings of the American Institute of Electrical Engineers ,1925 Vols for 1887 1946 include the preprint pages of the institute s Transactions **Transactions of the American Institute of Electrical Engineers** American Institute of Electrical Engineers,1926 List of members in v 7 15 17 19 20 **Journal of the American Institute of Electrical Engineers** American Institute of Electrical Engineers,1925 Includes preprints of Transactions of the American Institute of Electrical Engineers ISSN 0096 3860 Practical Robot Design Jagannathan Kanniah,M. Fikret Ercan,Carlos A. Acosta Calderon,2013-10-17 Designed for beginners undergraduate students and robotics enthusiasts Practical Robot Design Game Playing Robots is a comprehensive guide to the theory design and construction of game playing robots Drawing on years of robot building and teaching experience the authors demonstrate the key steps of building a robot from beginning to end wi

Electrical Engineering ,1926 Vols for 1931 46 include the preprints of the Transactions of the American Institute of Electrical Engineers ISSN 0096 3860 **Machinery** Lester Gray French,1927 **Machinery** Fred Herbert Colvin,Lester Gray French,1926 *Fifth European Conference on Power Electronics and Applications* ,1993 **Handbook of Automation, Computation, and Control: Systems and components** Eugene Munter Grabbe,1961 **Instrument Practice for Process Control and Automation** ,1970-07 Fundamentals of Electrical Drives Gopal K. Dubey,2001 Suitable for undergraduate and postgraduate courses in electrical drives this book covers topics on Dynamics and control of electrical drives Selection of motor power rating DC induction and synchronous motor drives Stepper motor and switched reluctance motor drives Permanent magnet ac and brushless dc motor drives and more **Editor & Publisher** ,1928 The fourth estate **The Iron Age** ,1905

Whispering the Secrets of Language: An Psychological Quest through **Basic Electrical Drives And Control**

In a digitally-driven earth wherever screens reign supreme and quick interaction drowns out the subtleties of language, the profound techniques and mental nuances concealed within words usually go unheard. However, situated within the pages of **Basic Electrical Drives And Control** a fascinating fictional treasure sporting with natural feelings, lies an extraordinary journey waiting to be undertaken. Written by an experienced wordsmith, that enchanting opus attracts readers on an introspective trip, lightly unraveling the veiled truths and profound affect resonating within the material of every word. Within the emotional depths of the poignant evaluation, we will embark upon a honest exploration of the book is key subjects, dissect their fascinating publishing fashion, and yield to the strong resonance it evokes strong within the recesses of readers hearts.

https://py.bijouxmedusa.com/book/virtual-library/index.jsp/3_2568_Crypto_Trading_Tips_For_Creators_3_2480_Crypto_Trading_Tips_For.pdf

Table of Contents Basic Electrical Drives And Control

1. Understanding the eBook Basic Electrical Drives And Control
 - The Rise of Digital Reading Basic Electrical Drives And Control
 - Advantages of eBooks Over Traditional Books
2. Identifying Basic Electrical Drives And Control
 - Exploring Different Genres
 - Considering Fiction vs. Non-Fiction
 - Determining Your Reading Goals
3. Choosing the Right eBook Platform
 - Popular eBook Platforms
 - Features to Look for in an Basic Electrical Drives And Control
 - User-Friendly Interface
4. Exploring eBook Recommendations from Basic Electrical Drives And Control

- Personalized Recommendations
 - Basic Electrical Drives And Control User Reviews and Ratings
 - Basic Electrical Drives And Control and Bestseller Lists
5. Accessing Basic Electrical Drives And Control Free and Paid eBooks
 - Basic Electrical Drives And Control Public Domain eBooks
 - Basic Electrical Drives And Control eBook Subscription Services
 - Basic Electrical Drives And Control Budget-Friendly Options
 6. Navigating Basic Electrical Drives And Control eBook Formats
 - ePub, PDF, MOBI, and More
 - Basic Electrical Drives And Control Compatibility with Devices
 - Basic Electrical Drives And Control Enhanced eBook Features
 7. Enhancing Your Reading Experience
 - Adjustable Fonts and Text Sizes of Basic Electrical Drives And Control
 - Highlighting and Note-Taking Basic Electrical Drives And Control
 - Interactive Elements Basic Electrical Drives And Control
 8. Staying Engaged with Basic Electrical Drives And Control
 - Joining Online Reading Communities
 - Participating in Virtual Book Clubs
 - Following Authors and Publishers Basic Electrical Drives And Control
 9. Balancing eBooks and Physical Books Basic Electrical Drives And Control
 - Benefits of a Digital Library
 - Creating a Diverse Reading Collection Basic Electrical Drives And Control
 10. Overcoming Reading Challenges
 - Dealing with Digital Eye Strain
 - Minimizing Distractions
 - Managing Screen Time
 11. Cultivating a Reading Routine Basic Electrical Drives And Control
 - Setting Reading Goals Basic Electrical Drives And Control
 - Carving Out Dedicated Reading Time
 12. Sourcing Reliable Information of Basic Electrical Drives And Control

- Fact-Checking eBook Content of Basic Electrical Drives And Control
 - Distinguishing Credible Sources
13. Promoting Lifelong Learning
- Utilizing eBooks for Skill Development
 - Exploring Educational eBooks
14. Embracing eBook Trends
- Integration of Multimedia Elements
 - Interactive and Gamified eBooks

Basic Electrical Drives And Control Introduction

In the digital age, access to information has become easier than ever before. The ability to download Basic Electrical Drives And Control has revolutionized the way we consume written content. Whether you are a student looking for course material, an avid reader searching for your next favorite book, or a professional seeking research papers, the option to download Basic Electrical Drives And Control has opened up a world of possibilities. Downloading Basic Electrical Drives And Control provides numerous advantages over physical copies of books and documents. Firstly, it is incredibly convenient. Gone are the days of carrying around heavy textbooks or bulky folders filled with papers. With the click of a button, you can gain immediate access to valuable resources on any device. This convenience allows for efficient studying, researching, and reading on the go. Moreover, the cost-effective nature of downloading Basic Electrical Drives And Control has democratized knowledge. Traditional books and academic journals can be expensive, making it difficult for individuals with limited financial resources to access information. By offering free PDF downloads, publishers and authors are enabling a wider audience to benefit from their work. This inclusivity promotes equal opportunities for learning and personal growth. There are numerous websites and platforms where individuals can download Basic Electrical Drives And Control. These websites range from academic databases offering research papers and journals to online libraries with an expansive collection of books from various genres. Many authors and publishers also upload their work to specific websites, granting readers access to their content without any charge. These platforms not only provide access to existing literature but also serve as an excellent platform for undiscovered authors to share their work with the world. However, it is essential to be cautious while downloading Basic Electrical Drives And Control. Some websites may offer pirated or illegally obtained copies of copyrighted material. Engaging in such activities not only violates copyright laws but also undermines the efforts of authors, publishers, and researchers. To ensure ethical downloading, it is advisable to utilize reputable websites that prioritize the legal distribution of content. When downloading Basic Electrical Drives And Control, users should also consider the potential

security risks associated with online platforms. Malicious actors may exploit vulnerabilities in unprotected websites to distribute malware or steal personal information. To protect themselves, individuals should ensure their devices have reliable antivirus software installed and validate the legitimacy of the websites they are downloading from. In conclusion, the ability to download Basic Electrical Drives And Control has transformed the way we access information. With the convenience, cost-effectiveness, and accessibility it offers, free PDF downloads have become a popular choice for students, researchers, and book lovers worldwide. However, it is crucial to engage in ethical downloading practices and prioritize personal security when utilizing online platforms. By doing so, individuals can make the most of the vast array of free PDF resources available and embark on a journey of continuous learning and intellectual growth.

FAQs About Basic Electrical Drives And Control Books

How do I know which eBook platform is the best for me? Finding the best eBook platform depends on your reading preferences and device compatibility. Research different platforms, read user reviews, and explore their features before making a choice. Are free eBooks of good quality? Yes, many reputable platforms offer high-quality free eBooks, including classics and public domain works. However, make sure to verify the source to ensure the eBook credibility. Can I read eBooks without an eReader? Absolutely! Most eBook platforms offer webbased readers or mobile apps that allow you to read eBooks on your computer, tablet, or smartphone. How do I avoid digital eye strain while reading eBooks? To prevent digital eye strain, take regular breaks, adjust the font size and background color, and ensure proper lighting while reading eBooks. What the advantage of interactive eBooks? Interactive eBooks incorporate multimedia elements, quizzes, and activities, enhancing the reader engagement and providing a more immersive learning experience. Basic Electrical Drives And Control is one of the best book in our library for free trial. We provide copy of Basic Electrical Drives And Control in digital format, so the resources that you find are reliable. There are also many Ebooks of related with Basic Electrical Drives And Control. Where to download Basic Electrical Drives And Control online for free? Are you looking for Basic Electrical Drives And Control PDF? This is definitely going to save you time and cash in something you should think about. If you trying to find then search around for online. Without a doubt there are numerous these available and many of them have the freedom. However without doubt you receive whatever you purchase. An alternate way to get ideas is always to check another Basic Electrical Drives And Control. This method for see exactly what may be included and adopt these ideas to your book. This site will almost certainly help you save time and effort, money and stress. If you are looking for free books then you really should consider finding to assist you try this. Several of Basic Electrical Drives And Control are for sale to free while some are payable. If you arent sure if the books you would like to download works with for usage along with your computer, it is

possible to download free trials. The free guides make it easy for someone to free access online library for download books to your device. You can get free download on free trial for lots of books categories. Our library is the biggest of these that have literally hundreds of thousands of different products categories represented. You will also see that there are specific sites catered to different product types or categories, brands or niches related with Basic Electrical Drives And Control. So depending on what exactly you are searching, you will be able to choose e books to suit your own need. Need to access completely for Campbell Biology Seventh Edition book? Access Ebook without any digging. And by having access to our ebook online or by storing it on your computer, you have convenient answers with Basic Electrical Drives And Control To get started finding Basic Electrical Drives And Control, you are right to find our website which has a comprehensive collection of books online. Our library is the biggest of these that have literally hundreds of thousands of different products represented. You will also see that there are specific sites catered to different categories or niches related with Basic Electrical Drives And Control So depending on what exactly you are searching, you will be able to choose ebook to suit your own need. Thank you for reading Basic Electrical Drives And Control. Maybe you have knowledge that, people have search numerous times for their favorite readings like this Basic Electrical Drives And Control, but end up in harmful downloads. Rather than reading a good book with a cup of coffee in the afternoon, instead they juggled with some harmful bugs inside their laptop. Basic Electrical Drives And Control is available in our book collection an online access to it is set as public so you can download it instantly. Our digital library spans in multiple locations, allowing you to get the most less latency time to download any of our books like this one. Merely said, Basic Electrical Drives And Control is universally compatible with any devices to read.

Find Basic Electrical Drives And Control :

~~3-2568 crypto trading tips for creators~~ ~~3-2480 crypto trading tips for~~
for startups 3-30 stock market examples America 3-13 stock market
organization tips for creators 3-835 home organization tips for
States 3-1574 weight loss step by step United States 3-914 weight loss
~~3-608 NFT marketplace case study USA 3-1256 NFT marketplace case study~~
Instagram growth guide United States 3-1785 Instagram growth guide
USA 3-915 online privacy ideas United States 3-2823 online privacy
resume writing tips USA 3-556 resume writing tips United States 3-2867
entrepreneurs 3-146 cybersecurity explained America 3-2404 cybersecurity
3-2883 weight loss roadmap America 3-942 weight loss software for
business checklist for entrepreneurs 3-2564 dropshipping business

for startups 3-256 budget travel best practices America 3-118 budget
case study for creators 3-370 resume writing case study for small
3-2135 blockchain development tutorial for small business 3-1504
America 3-2820 passive income ideas tools United States 3-1066 passive

Basic Electrical Drives And Control :

your brain could be controlling how sick you get and how you - Dec 24 2022

web feb 8 2023 *what is long covid long covid also known as the post covid 19 condition or chronic covid refers to the long term symptoms a person may experience*

why you get sick and how your brain can fix it by barwell - Sep 08 2021

when you feel sick you can thank your brain it s - Oct 02 2023

web feb 22 2023 *daily briefing your brain could be controlling how sick you get scientists are starting to decipher how the brain controls the body s immune responses plus*

brain fog symptoms causes diagnosis and treatment - Jun 17 2022

web we would like to show you a description here but the site won t allow us

how does your brain make you feel sick science in the news - Sep 01 2023

web feb 23 2023 *your brain could be controlling how sick you get and how you recover your brain could be controlling how sick you get and how you recover* 2023 feb 614

why you get sick and how your brain can fix - May 17 2022

web oct 31 2012 *verse 2 otherguy sick in the brain and i m feeling so strange when i m lost in the deesis when i m choppin n killin n hackin reacting an animal that s one a cage*

why you get sick and how your brain can fix it by richard - Feb 11 2022

brain controls symptoms of sickness harvard gazette - May 29 2023

web 1 day ago *brain function slowing down is a natural part of ageing this process starts in mid life and everyone experiences this differently says prof anne corbett professor of*

why you get sick and how your brain can fix it ebay - Dec 12 2021

brain cells that control sickness symptoms national institutes of - Feb 23 2023

web sep 27 2012 why you get sick and how your brain can fix it paperback illustrated september 27 2012 by richard barwell
author susan barwell editor 1

[amazon com customer reviews why you get sick and how - Jul 19 2022](#)

web oct 4 2023 why you get sick and how your brain can fix it by richard barwell used 5 75 4 49 shipping buy 3 get 1 free
add 4 to cart see all eligible items

the brothaz grimm sick in the brain lyrics genius lyrics - Oct 10 2021

explained what is the difference between a sick mind and a sick - Jan 13 2022

why do i keep getting sick causes and what to do - Jan 25 2023

web find helpful customer reviews and review ratings for why you get sick and how your brain can fix it at amazon com read
honest and unbiased product reviews from our

why you get sick and how your brain can fix it by richard - Sep 20 2022

web books movies music books magazines books why you get sick and how your brain can fix it by richard barwell 2012 trade
paperback be the first to write a

brain disorders causes symptoms and diagnosis - Apr 27 2023

web mar 8 2023 now scientists have identified neurons in mice that notify the brain of a flu infection triggering decreases in
movement hunger and thirst 1 similar neurons

brain health six key questions answered the guardian - Nov 22 2022

web buy why you get sick and how your brain can fix it by richard barwell online at alibris we have new and used copies
available in 1 editions starting at 6 04 shop now

why you get sick and how your brain can fix it alibris - Apr 15 2022

web why you get sick and how your brain can fix it by barwell richard 2012 paperback on amazon com free shipping on
qualifying offers why you get sick and how

[how the brain senses a flu infection and orders the body to rest](#) - Oct 22 2022

web 1 day ago miryam naddaf the effect of melodrama 1830 by louis leopold boilly the precise mechanisms that control how
and why people faint have long puzzled scientists

what causes fainting scientists finally have an answer nature - Mar 15 2022

daily briefing your brain could be controlling how sick you get - Jun 29 2023

web feb 1 2023 [download citation your brain could be controlling how sick you get and how you recover scientists are deciphering how the brain choreographs immune](#)

your brain could be controlling how sick you get and how you - Mar 27 2023

web [why you get sick and how your brain can fix it by richard barwell 2012 09 27 barwell richard amazon com tr kitap quora a place to share knowledge and better understand the world](#) - Nov 10 2021

[why you get sick and how your brain can fix it amazon com](#) - Aug 20 2022

web jan 9 2020 [do we really understand the difference between a sick brain and a sick mind in setting out to write a book about neurosyphilis we ended up with a book about](#)

your brain could be controlling how sick you get - Jul 31 2023

web jun 28 2022 [aside from the activity of the immune system physiological and behavioral changes occur that help to get rid of the infection these include fever loss of appetite](#)

geschichten aus dem hellboy universum 3 - Feb 26 2022

web der obsessive frank castle darüber hinaus muss spider gwen es mit dem geier dem diabolischen matt murdock und black cat aufnehmen einer der besten neuen titel des jahres outcast 1 im reich der finsternis robert kirkman 2015 03 30 die reise ins reich der finsternis sein gesamtes leben schon plagen kyle barnes heimsuchungen aus

geschichten aus dem hellboy universum ab 2011 band 13 - Mar 30 2022

web dieser hellboy universum sammelband beleuchtet final die letzten kämpfe unserer geliebten charaktere wie hellboy liz sherman oder abe sapien und schließt den 15 jährigen zyklus der b u a p comics ab der dreizehnte und nun auch letzte hellboy wälzer wird zu einem besonders dicken schinken in Überlänge und durch die story

geschichten aus dem hellboy universum 13 mignola mike - Jan 28 2022

web mignolas suche nach einer figur die seine vorliebe für horror und mystery optimal transportiert mündete 1993 schließlich seiner kreation hellboy mit dem furcht einflößendem abgesandten der hölle der unter menschen aufwuchs und nun im dienst einer organisation zur bekämpfung paranormaler phänomene im einsatz ist konnte

geschichten aus dem hellboy universum 3 rebuy - Dec 07 2022

web [geschichten aus dem hellboy universum 3 mike mignola john arcudi duncan fegredo kevin nowlan kundenbewertung zustand mehr info preise sind endpreise zzgl versandkosten wie neu derzeit nicht verfügbar sehr gut derzeit nicht verfügbar gut derzeit nicht verfügbar ab 33 99 kaufalarm setzen auf den wunschzettel versandbereit in 3 4](#)

[hellboy universum 3 geschichten aus dem hellboy universum](#) - Aug 15 2023

web das hellboy universum ist noch lange nicht leer erzählt auch der dritte sammelband geizt nicht mit weiteren geschichten

aus hellboys dunstkreis diese storys werden in hellboy universum 3 enthalten sein b u a p 1948 nach einem atombomben experiment in der wüste von utah tauchen plötzlich mörderische bestien auf und

hellboy universum 10 geschichten aus dem hellboy universum - Dec 27 2021

web dieser band enthält in chronologischer reihenfolge die stories b u a p hÖlle auf erden 14 exorzismus abe sapien 8 das einsame ufer b u a p hÖlle auf erden mÖge die stunde kommen und witchfinder 4 stadt der toten rezenionen

hellboy universum 4 geschichten aus dem hellboy universum - Oct 05 2022

web geschichten aus dem hellboy universum comic band 13 geschichten aus dem hellboy universum navigation überspringen versand bezahlung widerruf agb sicher bezahlen versand mit versandkostenfreie lieferung innerhalb deutschlands kundenservice telefon 05265 9 55 88 55 mo fr

geschichten aus dem hellboy universum b u a p die froschplage 3 - May 12 2023

web geschichten aus dem hellboy universum b u a p die froschplage 3 geschichten aus dem hellboy universum froschplage mignola mike isbn 9783959813716 kostenloser versand für alle bücher mit versand und verkauf duch amazon

hellboy universum 1 geschichten aus dem hellboy universum - Jun 13 2023

web zum 10jährigen jubiläum von cross cult im sommer 2011 spendiert das süddeutsche comic label den deutschen mignola fans und hellboy jüngern einen extradicken sonderband mit vier mini serien aus dem illustren weit verzweigten und mittlerweile ganze jahrzehnte überlappenden hellboy universum

geschichten aus dem hellboy universum 3 mignola mike - Jul 14 2023

web geschichten aus dem hellboy universum 3 finden sie alle bücher von mignola mike bei der büchersuchmaschine eurobuch com können sie antiquarische und neubücher vergleichen und sofort zum bestpreis bestellen 9783864254024

hellboy universum 13 geschichten aus dem hellboy universum - Sep 04 2022

web dieser hellboy universum sammelband beleuchtet die letzten kämpfe unserer geliebten charaktere wie hellboy liz sherman oder abe sapien und schließt den 15 jährigen zyklus der b u a p comics ab der dreizehnte sammelband wird durch die story blumenlotus aus der welt hellboys ergänzt

geschichten aus dem hellboy universum b u a p die froschplage 3 - Mar 10 2023

web quak die frosch apokalypse rückt näher nach dem absolut katastrophalen aufeinandertreffen mit der monströsen gottheit katha hem eilt kate mit der hoffnung nach frankreich roger wieder zum leben zu erwecken daimio enthüllt die umstände zu seinem tod im dschungel boliviens

geschichten aus dem hellboy universum 13 gebundene ausgabe amazon de - Jul 02 2022

web dieser hellboy universum sammelband beleuchtet die letzten kämpfe unserer geliebten charaktere wie hellboy liz sherman oder abe sapien und schließt den 15 jährigen zyklus der b u a p comics ab der dreizehnte sammelband wird durch

die story blumenlotus aus der welt hellboys ergänzt

comic geschichten aus dem hellboy universum 1 vincisblog - Apr 30 2022

web feb 13 2020 veröffentlicht am 13 februar 2020 14 kommentare wie ihr alle sicherlich mitbekommen habt sind die ersten 3 bände der geschichten aus dem hellboy universums bände rar gesät und schwer vergriffen da ich diese preise nicht zahlen wollte habe ich mich durch die einzelhefte gelesen das ergebnis für band 1 gibt es hier

geschichten aus dem hellboy universum b u a p orell füssli - Jan 08 2023

web geschichten aus dem hellboy universum froschplage band 3 geschichten aus dem hellboy universum b u a p die froschplage 3 mike mignola buch gebundene ausgabe

geschichten aus dem hellboy universum bücher de - Feb 09 2023

web entdecken sie jetzt die gesamte geschichten aus dem hellboy universum reihe im online shop von bucher.de jetzt stöbern und versandkostenfrei nach hause liefern lassen

geschichten aus dem hellboy universum ab 2011 band 3 - Jun 01 2022

web comicexpress home deutsche comics manga us comics romane vorschau comicwelten

geschichten aus dem hellboy universum 3 amazon.de - Apr 11 2023

web geschichten aus dem hellboy universum 3 mignola mike arcudi john fegredo duncan nowlan kevin fiumara max moon fábio bá gabriel corben richard amazon.de books

geschichten aus dem hellboy universum 3 von mike mignola - Nov 06 2022

web geschichten aus dem hellboy universum 3 von mike mignola juni 2014 gebundene ausgabe unbekannter einband es wird kein kindle gerät benötigt lade eine der kostenlosen kindle apps herunter und beginne kindle bücher auf deinem smartphone tablet und computer zu lesen

geschichten aus dem hellboy universum 3 9783864254024 - Aug 03 2022

web abebooks.com geschichten aus dem hellboy universum 3 9783864254024 and a great selection of similar new used and collectible books available now at great prices

libro machado grupo de distribución s l - Dec 16 2022

web 17 21 sin iva sinopsis este volumen profusamente ilustrado es un manual práctico sobre las técnicas de trabajo de la ebanistería una de las disciplinas más importantes por lo que se refiere al manipulado de la madera

aula de madera ebanistería - Nov 15 2022

web la colección aula de madera de la que forma parte este libro se caracteriza por compendiar en cinco títulos las principales especialidades de la mueblería de manera sencilla y amena con un marcado carácter didáctico de gran utilidad tanto para el estudiante y el principiante como para el profesional

aula de madera ebanistería gibert vicens iópez - Sep 13 2022

web este volumen profusamente ilustrado es un manual práctico sobre las técnicas de trabajo de la ebanistería una de las disciplinas más importantes por lo que se refiere al manipulado de la madera tras la presentación de los distintos tipos de madera las máquinas las herramientas y los métodos de trabajo que debe conocer todo buen

aula de madera ebanisteria josep lopez romero - Apr 08 2022

web jan 1 1999 aula de madera ebanisteria josep lopez romero 9788434222205 atención al cliente 915 757 000 de lunes a viernes de 9 00h a 19 00h recomendador de libros dinos qué te gusta y te recomendamos qué leer los libros más deseados compra online los libros más deseados por nuestros clientes novedades en

aula de madera ebanistería guanxe atlantic marketplace - May 09 2022

web envío gratis tiempos de entrega 48 72 horas productos nuevos 100 originales y de primeras marcas pago seguro ssl devoluciones y garantía

aula de madera ebanistería by parramón paidotribo s l issuu - Sep 25 2023

web may 1 2011 aula de madera ebanistería by parramón paidotribo s l issuu este volumen profusamente ilustrado es un manual práctico sobre las técnicas de trabajo de la ebanistería una de las

aula de madera ebanistería spanish edition goodreads - Jul 23 2023

web este volumen profusamente ilustrado es un manual práctico sobre las técnicas de trabajo de la ebanistería una de las disciplinas más importantes por lo que se refiere al manipulado de la madera tras la presentación de los distintos tipos de madera las máquinas las herramientas y los métodos de trabajo que debe conocer todo buen

ebanisteria aula de madera 9788434222205 llibreria - Oct 14 2022

web ebanisteria aula de madera 9788434222205 este volumen profusamente ilustrado es un manual práctico sobre las técnicas de trabajo de la ebanistería una de las disciplinas más importantes por lo que se refiere al manipulado de la madera tras la presentación de los distintos tipos de maderas las máquinas las herramientas y los

aula de madera ebanistería todos tus libros - Jan 17 2023

web este volumen profusamente ilustrado es un manual práctico sobre las técnicas de trabajo de la ebanistería una de las disciplinas más importantes por lo que se refiere al manipulado de la madera tras la presentación de los distintos tipos de madera las máquinas las herramientas y los métodos de trabajo que debe conocer todo buen

yeni mekan keşfi mader aalem dergisi aalem com tr - Mar 07 2022

web dec 5 2022 mader a nın executive chef liğini ise nihat dođtürk üstleniyor 80 kişilik deneyimli ekibiyle hizmet veren mader a nın lara tyler imzalı tasarımında mağara konseptinden ilham alınıyor alçak oturumlu özel alanlarıyla farklı bir stil yakalayan mader a da uluslararası açık mutfak standartları İstanbul a özgü bir şekilde

madera İstanbul menü fiyatlar ve restoran yorumları - Feb 06 2022

web İstanbul bölgesinde yemek tripadvisor seyahatseverlerinin 15 320 İstanbul restoranları hakkındaki yorumuna bakın ve mutfağa fiyata yere ve diğer kriterlere göre arama yapın

[amazon es ebanisteria](#) - Aug 12 2022

web katsu fresa de madera rabbet router bits set 1 4 6 35mm fresa para ranurar de carpintería con 6 rodamientos para múltiples profundidades brocas de ebanistería 3 2 de 5 estrellas 7 aula de madera ebanisteria spanish edition by parramon 2009 01 12 tapa dura

aula de madera ebanistería tapa dura 19 mayo 2014 - Aug 24 2023

web este volumen profusamente ilustrado es un manual práctico sobre las técnicas de trabajo de la ebanistería una de las disciplinas más importantes por lo que se refiere al manipulado de la madera tras la presentación de los distintos tipos de madera las máquinas las herramientas y los métodos de trabajo que debe conocer todo buen

[aula de madera ebanisteria 5 en libros fnac](#) - May 21 2023

web tras la presentación de los distintos tipos de madera las máquinas las herramientas y los métodos de trabajo que debe conocer todo buen ebanista la obra se complementa con una serie de ejercicios prácticos desarrollados paso a paso la colección aula de madera de la que forma parte este libro se caracteriza por compendiar

[aula de madera ebanistería machado libros](#) - Apr 20 2023

web este volumen profusamente ilustrado es un manual práctico sobre las técnicas de trabajo de la ebanistería una de las disciplinas más importantes por lo que se refiere al manipulado de la madera tras la presentación de los distintos tipos de madera las máquinas las herramientas y los métodos de trabajo que debe conocer todo buen

[aula de madera ebanistería spanish edition hardcover](#) - Feb 18 2023

web may 19 2014 aula de madera ebanistería spanish edition gibert vicenç lópez josep on amazon com free shipping on qualifying offers aula de madera ebanistería spanish edition

[madera istanbul menu prices restaurant reviews tripadvisor](#) - Jul 11 2022

web save share 0 reviews bar mediterranean turkish pub harbiye lütfi kırdar darülbedai cd no 4 Şişli istanbul 34100 türkiye 90 536 778 89 20 website menu closed now see all hours improve this listing

[aula de madera ebanistería tapa dura el corte inglés](#) - Jun 22 2023

web este volumen profusamente ilustrado es un manual práctico sobre las técnicas de trabajo de la ebanistería una de las disciplinas más importantes por lo que se refiere al manipulado de la madera tras la presentación de los distintos tipos de madera las máquinas las herramientas y los métodos de trabajo que debe conocer todo buen

[aula de madera ebanistería parramon méxico](#) - Mar 19 2023

web este volumen profusamente ilustrado es un manual práctico sobre las técnicas de trabajo de la ebanistería una de las disciplinas más importantes por lo que se refiere al manipulado de la madera tras la presentación de los distintos tipos de madera las máquinas las herramientas y los métodos de trabajo que debe conocer todo buen

aula de madera ebanistería spanish edition hardcover - Jun 10 2022

web este volumen profusamente ilustrado es un manual práctico sobre las técnicas de trabajo de la ebanistería una de las disciplinas más importantes por lo que se refiere al manipulado de la madera tras la presentación de los distintos tipos de madera las máquinas las herramientas y los métodos de trabajo que debe conocer todo buen