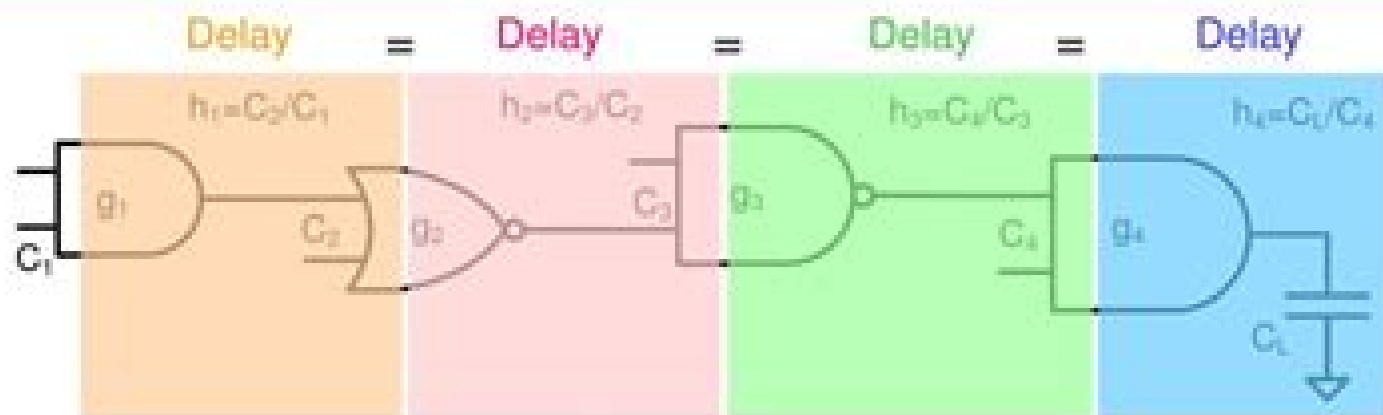


Logical Effort (*only logic*)



Delay model

Optimal sizing

$$D_i = \tau \cdot g_i \cdot h_i + p_i$$

$$\text{Delay}_i = \text{Delay}_{i+1}$$

τ - delay of minimal inverter $R_0 \cdot C_0$, technology constant

g_i - logical effort, gate type factor: e.g. $g_{inv} = 1$

h_i - electrical effort, load driving capability

p_i - parasitic effort, due to output capacitance

$$g_i h_i = g_{i+1} h_{i+1}$$

[Download Logical Effort Designing Fast Cmos Circuits](#)

DJ Losen



Download Logical Effort Designing Fast Cmos Circuits:

Unveiling the Power of Verbal Art: An Psychological Sojourn through **Download Logical Effort Designing Fast Cmos Circuits**

In some sort of inundated with monitors and the cacophony of immediate conversation, the profound energy and mental resonance of verbal artistry often diminish in to obscurity, eclipsed by the continuous barrage of sound and distractions. However, nestled within the musical pages of **Download Logical Effort Designing Fast Cmos Circuits**, a charming function of literary splendor that impulses with raw emotions, lies an memorable journey waiting to be embarked upon. Written with a virtuoso wordsmith, this magical opus books visitors on a mental odyssey, softly exposing the latent possible and profound impact embedded within the complicated web of language. Within the heart-wrenching expanse with this evocative evaluation, we will embark upon an introspective exploration of the book is central styles, dissect its fascinating publishing fashion, and immerse ourselves in the indelible effect it leaves upon the depths of readers souls.

<https://py.bijouxmedusa.com/results/Resources/index.jsp/Norma%20Une%20En%20Iso%20Iec%2017065%20Espa%20Ol%20Aenor%20Es.pdf>

Table of Contents Download Logical Effort Designing Fast Cmos Circuits

1. Understanding the eBook Download Logical Effort Designing Fast Cmos Circuits
 - The Rise of Digital Reading Download Logical Effort Designing Fast Cmos Circuits
 - Advantages of eBooks Over Traditional Books
2. Identifying Download Logical Effort Designing Fast Cmos Circuits
 - Exploring Different Genres
 - Considering Fiction vs. Non-Fiction
 - Determining Your Reading Goals
3. Choosing the Right eBook Platform
 - Popular eBook Platforms
 - Features to Look for in an Download Logical Effort Designing Fast Cmos Circuits
 - User-Friendly Interface

4. Exploring eBook Recommendations from Download Logical Effort Designing Fast Cmos Circuits
 - Personalized Recommendations
 - Download Logical Effort Designing Fast Cmos Circuits User Reviews and Ratings
 - Download Logical Effort Designing Fast Cmos Circuits and Bestseller Lists
5. Accessing Download Logical Effort Designing Fast Cmos Circuits Free and Paid eBooks
 - Download Logical Effort Designing Fast Cmos Circuits Public Domain eBooks
 - Download Logical Effort Designing Fast Cmos Circuits eBook Subscription Services
 - Download Logical Effort Designing Fast Cmos Circuits Budget-Friendly Options
6. Navigating Download Logical Effort Designing Fast Cmos Circuits eBook Formats
 - ePub, PDF, MOBI, and More
 - Download Logical Effort Designing Fast Cmos Circuits Compatibility with Devices
 - Download Logical Effort Designing Fast Cmos Circuits Enhanced eBook Features
7. Enhancing Your Reading Experience
 - Adjustable Fonts and Text Sizes of Download Logical Effort Designing Fast Cmos Circuits
 - Highlighting and Note-Taking Download Logical Effort Designing Fast Cmos Circuits
 - Interactive Elements Download Logical Effort Designing Fast Cmos Circuits
8. Staying Engaged with Download Logical Effort Designing Fast Cmos Circuits
 - Joining Online Reading Communities
 - Participating in Virtual Book Clubs
 - Following Authors and Publishers Download Logical Effort Designing Fast Cmos Circuits
9. Balancing eBooks and Physical Books Download Logical Effort Designing Fast Cmos Circuits
 - Benefits of a Digital Library
 - Creating a Diverse Reading Collection Download Logical Effort Designing Fast Cmos Circuits
10. Overcoming Reading Challenges
 - Dealing with Digital Eye Strain
 - Minimizing Distractions
 - Managing Screen Time
11. Cultivating a Reading Routine Download Logical Effort Designing Fast Cmos Circuits
 - Setting Reading Goals Download Logical Effort Designing Fast Cmos Circuits
 - Carving Out Dedicated Reading Time

12. Sourcing Reliable Information of Download Logical Effort Designing Fast Cmos Circuits
 - Fact-Checking eBook Content of Download Logical Effort Designing Fast Cmos Circuits
 - Distinguishing Credible Sources
13. Promoting Lifelong Learning
 - Utilizing eBooks for Skill Development
 - Exploring Educational eBooks
14. Embracing eBook Trends
 - Integration of Multimedia Elements
 - Interactive and Gamified eBooks

Download Logical Effort Designing Fast Cmos Circuits Introduction

In this digital age, the convenience of accessing information at our fingertips has become a necessity. Whether its research papers, eBooks, or user manuals, PDF files have become the preferred format for sharing and reading documents. However, the cost associated with purchasing PDF files can sometimes be a barrier for many individuals and organizations. Thankfully, there are numerous websites and platforms that allow users to download free PDF files legally. In this article, we will explore some of the best platforms to download free PDFs. One of the most popular platforms to download free PDF files is Project Gutenberg. This online library offers over 60,000 free eBooks that are in the public domain. From classic literature to historical documents, Project Gutenberg provides a wide range of PDF files that can be downloaded and enjoyed on various devices. The website is user-friendly and allows users to search for specific titles or browse through different categories. Another reliable platform for downloading Download Logical Effort Designing Fast Cmos Circuits free PDF files is Open Library. With its vast collection of over 1 million eBooks, Open Library has something for every reader. The website offers a seamless experience by providing options to borrow or download PDF files. Users simply need to create a free account to access this treasure trove of knowledge. Open Library also allows users to contribute by uploading and sharing their own PDF files, making it a collaborative platform for book enthusiasts. For those interested in academic resources, there are websites dedicated to providing free PDFs of research papers and scientific articles. One such website is Academia.edu, which allows researchers and scholars to share their work with a global audience. Users can download PDF files of research papers, theses, and dissertations covering a wide range of subjects. Academia.edu also provides a platform for discussions and networking within the academic community. When it comes to downloading Download Logical Effort Designing Fast Cmos Circuits free PDF files of magazines, brochures, and catalogs, Issuu is a popular choice. This digital publishing platform hosts a vast collection of publications from around the world. Users can search for specific titles or explore various

categories and genres. Issuu offers a seamless reading experience with its user-friendly interface and allows users to download PDF files for offline reading. Apart from dedicated platforms, search engines also play a crucial role in finding free PDF files. Google, for instance, has an advanced search feature that allows users to filter results by file type. By specifying the file type as "PDF," users can find websites that offer free PDF downloads on a specific topic. While downloading Download Logical Effort Designing Fast Cmos Circuits free PDF files is convenient, its important to note that copyright laws must be respected. Always ensure that the PDF files you download are legally available for free. Many authors and publishers voluntarily provide free PDF versions of their work, but its essential to be cautious and verify the authenticity of the source before downloading Download Logical Effort Designing Fast Cmos Circuits. In conclusion, the internet offers numerous platforms and websites that allow users to download free PDF files legally. Whether its classic literature, research papers, or magazines, there is something for everyone. The platforms mentioned in this article, such as Project Gutenberg, Open Library, Academia.edu, and Issuu, provide access to a vast collection of PDF files. However, users should always be cautious and verify the legality of the source before downloading Download Logical Effort Designing Fast Cmos Circuits any PDF files. With these platforms, the world of PDF downloads is just a click away.

FAQs About Download Logical Effort Designing Fast Cmos Circuits Books

1. Where can I buy Download Logical Effort Designing Fast Cmos Circuits books? Bookstores: Physical bookstores like Barnes & Noble, Waterstones, and independent local stores. Online Retailers: Amazon, Book Depository, and various online bookstores offer a wide range of books in physical and digital formats.
2. What are the different book formats available? Hardcover: Sturdy and durable, usually more expensive. Paperback: Cheaper, lighter, and more portable than hardcovers. E-books: Digital books available for e-readers like Kindle or software like Apple Books, Kindle, and Google Play Books.
3. How do I choose a Download Logical Effort Designing Fast Cmos Circuits book to read? Genres: Consider the genre you enjoy (fiction, non-fiction, mystery, sci-fi, etc.). Recommendations: Ask friends, join book clubs, or explore online reviews and recommendations. Author: If you like a particular author, you might enjoy more of their work.
4. How do I take care of Download Logical Effort Designing Fast Cmos Circuits books? Storage: Keep them away from direct sunlight and in a dry environment. Handling: Avoid folding pages, use bookmarks, and handle them with clean hands. Cleaning: Gently dust the covers and pages occasionally.
5. Can I borrow books without buying them? Public Libraries: Local libraries offer a wide range of books for borrowing.

- Book Swaps: Community book exchanges or online platforms where people exchange books.
6. How can I track my reading progress or manage my book collection? Book Tracking Apps: Goodreads, LibraryThing, and Book Catalogue are popular apps for tracking your reading progress and managing book collections. Spreadsheets: You can create your own spreadsheet to track books read, ratings, and other details.
 7. What are Download Logical Effort Designing Fast Cmos Circuits audiobooks, and where can I find them? Audiobooks: Audio recordings of books, perfect for listening while commuting or multitasking. Platforms: Audible, LibriVox, and Google Play Books offer a wide selection of audiobooks.
 8. How do I support authors or the book industry? Buy Books: Purchase books from authors or independent bookstores. Reviews: Leave reviews on platforms like Goodreads or Amazon. Promotion: Share your favorite books on social media or recommend them to friends.
 9. Are there book clubs or reading communities I can join? Local Clubs: Check for local book clubs in libraries or community centers. Online Communities: Platforms like Goodreads have virtual book clubs and discussion groups.
 10. Can I read Download Logical Effort Designing Fast Cmos Circuits books for free? Public Domain Books: Many classic books are available for free as they're in the public domain. Free E-books: Some websites offer free e-books legally, like Project Gutenberg or Open Library.

Find Download Logical Effort Designing Fast Cmos Circuits :

norma une en iso iec 17065 espa ol aenor es

gamer theory mckenzie wark

fundamentals of metal cutting and machine tools

fundamentals of predictive analytics with jmp

download ielts made easy step by guide write task 1

~~gee o level combined science chemistry 5076 03~~

fundamentals of turbomachinery william w peng

~~fundamentals of electric circuits solution manual third edition~~

~~freedom on my mind~~

fundamentals of corporate finance 10th edition answers

~~gendex 8500 installation manual~~

fundamental methods of mathematical economics 4th edition

[gemo plc smart relay ar2](#)

[french connection renault](#)

[fuzzy logic applications in software engineering](#)

Download Logical Effort Designing Fast Cmos Circuits :

[murse the man the myth the legend male nurse jour full pdf](#) - Mar 04 2022

web murse the man the myth the legend the psychology of language the magnificent myths of man murse the man the myth the legend the myth man the hunger a portrait of the artist as a young man chapters iii iv v and additional manuscript fragments cracking the psat nmsqt 2011 edition illusions of magic handbook of hindu

all you ever needed to know about the murse the nerdy nurse - Apr 17 2023

web jan 20 2012 a murse is a male nurse male nurse murse they are also a group of youtubers the murses haven t heard of the murses yet well they are male nurses who are stepping up to the plate and forging a path to potential youtube success this epic style short film is a clever and quirky nod to males in the nursing profession

murse the man the myth the legend male nurse jour pdf - Apr 05 2022

web jun 27 2023 right here we have countless book murse the man the myth the legend male nurse jour pdf and collections to check out we additionally meet the expense of variant types and furthermore type of the books to browse

murse the man the myth the nursing legend svg male nurse etsy - Feb 15 2023

web sep 15 2023 murse the man the myth the nursing legend svg male nurse quote svg proud male nurse svg nurse and dad svg

life of a male nurse the murse - Aug 09 2022

web jan 4 2012 yes i said murse it shouldn t take too much work to figure out where the name came from male nurse murse some male nurses may find that term annoying or offensive but i i am a mid 20s guy from the west coast that traveled to the northeast a couple years ago to pursue a bs in nursing at one of the best nursing colleges

[murse the man the myth the legend male nurse shirt men s etsy](#) - Mar 16 2023

web nov 11 2023 murse the man the myth the legend male nurses need shirts too celebrate your favorite man nurse with this cool murse tee sweatshirt hoodie etsy com listing 1508603154 murse hoodie male nurse gifts male nurse how to order

murse the man the myth the legend murse male nurse - Oct 23 2023

web murse the man the myth the legend murse male nurse notebook journal gift rn registered nurse nursing school nursing student gift nurse life nurse gift publishing flyerprodco amazon sg books

[murse the man the myth the legend male nurse jour full pdf](#) - Sep 10 2022

web 2 nurse the man the myth the legend male nurse jour 2023 08 07 nurse the man the myth the legend male nurse jour downloaded from pantera adecco com by guest devyn marissa the myth of digital democracy university rochester press this new edition contains montagu s most complete explication of his theory and a thorough

nurse the man the myth the legend nurse male nurse - Jul 20 2023

web apr 21 2020 nurse the man the myth the legend nurse male nurse notebook journal gift rn registered nurse nursing school nursing student gift nurse life nurse gift publishing flyerprodco on amazon com free shipping on qualifying offers

nurse the man the myth the legend male nurse jour pdf - Jul 08 2022

web nurse the man the myth the legend male nurse jour pdf upload caliva r paterson 3 22 downloaded from live habitat com on october 20 2023 by caliva r paterson donated to charities keywords tabs puck s broom george arrives fairies alexander grow up birthday party fireworks surprise old frog midsummer eve

nurse the man the myth the legend male nurse journal - Aug 21 2023

web nurse the man the myth the legend male nurse journal emelia eve amazon sg books

nurse the man the myth the legend male nurse journal by - Jun 19 2023

web bob s kabobs the man the myth the legend and his kabobs the man the myth and the legend of grover krantz the man the myth the legend shirt shirts for dad tshirt the man myth legend mugs redbubble the man the myth the legend mugs teepublic the man the myth the legend coffee mug man the myth the legend mugs cafepress the man

nurse the man the myth the legend nurse male nurse - May 18 2023

web nurse the man the myth the legend nurse male nurse notebook journal gift rn registered nurse nursing school nursing student gift nurse life nurse gift publishing flyerprodco amazon com au books

nurse the man the myth the legend male nurse jour pdf - Nov 12 2022

web 4 nurse the man the myth the legend male nurse jour 2023 05 07 a notebook for school or office your new journal includes beautiful matte finished cover fresh white paper 108 pages 6x9 inch format we have even more wonderful titles that you ll enjoy be sure to click on the author name for other great journal ideas nietzsche s anthropic circle

nurse the man the myth the nursing legend svg male nurse etsy - Dec 13 2022

web sep 15 2023 nurse the man the myth the nursing legend svg male nurse quote svg proud male nurse svg nurse silhouette cricut cut file svg dxf png what you will get you will get a zip folder including 4 types of files svg dxf png and eps file works great with adobe illustrator cricut cutting machine silhouette studio and etc

nurse the man the myth the legend male nurse jour pdf - Jun 07 2022

web nurse the man the myth the legend male nurse jour right here we have countless book nurse the man the myth the legend male nurse jour and collections to check out we additionally provide variant types and then type of the books to

browse the suitable book fiction history novel scientific research as without difficulty as various

[nurse the man the myth the legend male nurse shirt etsy](#) - Jan 14 2023

web apr 30 2023 [nurse the man the myth the legend male nurse shirt men s nurse t shirt gift for male nurse nurse tee rn shirt emergency room shirt](#)

[nurse the man the myth the legend male nurse journal](#) - Sep 22 2023

web nov 15 2018 [this is a perfect blank lined journal for men women and children great for taking down notes reminders and crafting to do lists also a great creativity gift for decoration or for a notebook for school or office](#)

nurse the man the myth the legend male nurse jour copy - May 06 2022

web oct 12 2023 [nurse the man the myth the legend male nurse jour recognizing the showing off ways to acquire this book nurse the man the myth the legend male nurse jour is additionally useful you have remained in right site to begin getting this info get the nurse the man the myth the legend male nurse jour colleague that we allow here and](#)

nurse badge reel male nurse badge clip funny nurse badge - Oct 11 2022

web nov 16 2023 [materials acrylic vinyl uv resin nurse badge reel male nurse badge reel rn id holder the man the myth the legend lanyard item is 2 wide and attached to your choice of an alligator swivel clip or slide on badge reel with a low profile self fastener see pics for different badge reel choices easy to switch out](#)

modern woodworking textbook answers chapter 15 answers - Oct 25 2022

web modern woodworking workbook chapters answer key author fabio graebner from orientation sutd edu sg subject modern woodworking workbook chapters

modern woodworking workbook answer key pdf fill - Oct 05 2023

web modern woodworking instructor s guide and answer key author willis h wagner publisher goodheart willcox company 1986 isbn 0870065793 9780870065798

modern woodworking workbook form formspal - Jan 16 2022

web modern carpentry industrial education answer key for modern carpentry exploring woodworking modern woodworking instructor s guide tools materials and

free pdf download modern woodworking workbook answer - May 20 2022

web workbook for modern carpentry willis h wagner 1981 07 01 modern woodworking willis h wagner 2006 provides answers to questions in the text and workbook wood

modern woodworking textbook answers fill out sign online - Nov 25 2022

web download modern woodworking textbook answers chapter 15 filename speed downloads modern woodworking textbook answers chapter 15 most popular 2938

modern woodworking workbook answer key chapter 3 - Apr 30 2023

web modern woodworking workbook chapters answer key author justus backhaus from orientation sutd edu sg subject modern woodworking workbook chapters

[modern woodworking workbook chapters answer key](#) - Jul 22 2022

web consequently the signnow online app is important for completing and signing modern woodworking workbook answer key pdf on the move within just seconds receive an

modern woodworking workbook answer key unit 14 2022 - Dec 15 2021

web proven chapter structure of the previous editions combines the quantitative mathematical analysis of the mechanisms of wood processing with practical recommendations and

modern woodworking textbook answers form signnow - Jun 20 2022

web modern woodworking workbook answer key unit 7 the woodturner s workbook apr 21 2022 if you have some woodturning experience and want to begin producing work

[modern woodworking instructors guide and answer key open](#) - Jun 01 2023

web welcome readers in this blog post we will discuss mastering modern woodworking workbook answer key chapter 3 learning the fundamentals of woodworking is

modern woodworking workbook wagner willis h archive org - Aug 03 2023

web modern woodworking workbook answer key exploring woodworking fred w zimmerman 1999 this workbook is designed for use with the text exploring

[modern woodworking workbook chapters answer key](#) - Sep 23 2022

web may 4 2016 one major good thing about modern woodworking workbook chapters answer key is that they look the exact same in almost any format you view them in

modern woodworking workbook chapters answer key - Mar 30 2023

web jan 1 1974 this text provides full coverage of standard woodworking procedures as well as new methods tools and materials safety is strongly stressed throughout the book

modern woodworking by willis h wagner open library - Dec 27 2022

web modern woodworking answer key pdf get the up to date modern woodworking answer key pdf 2023 now 4 3 out of 5 52 votes 44 reviews 23 ratings 15 005 10 000 000 303

modern woodworking workbook answers - Apr 18 2022

web send modernity woodworking answer key via email link or faxes you can also download it international computers otherwise print it out

modern woodworking workbook pdf form formspal modern - Feb 14 2022

web modern woodworking workbook chapters answer key draftnew com an excellent book writing service will make the book read professionally

modern woodworking instructor s guide and answer key - Sep 04 2023

web jan 27 2020 modern woodworking workbook by wagner willis h publication date 2006 topics woodwork manual training study guides woodwork publisher tinley

modernwoodworkingworkbookchaptersanswerkey 2022 - Nov 13 2021

modern woodworking textbook answers fill out sign online - Mar 18 2022

web fill in modern woodworking workbook form within logging by using our high performance pdf tool modern woodworking workbook form or tons of other pdf

modern woodworking workbook pdf form formspal - Aug 23 2022

web modern woodworking workbook chapters answer key 5 5 woodwork s practical function characteristics of construction materials and why some are better for the job

modern woodworking instructor s guide goodreads - Feb 26 2023

web modern woodworking instructors guide and answer key by wagner willis h isbn 10 0870068725 isbn 13 9780870068720 goodheart willcox publisher 1991 softcover

modern woodworking instructors guide and answer key - Jan 28 2023

web mar 20 2023 modern woodworking by willis h wagner clois e kicklighter 2006 goodheart willcox co brand goodheart willcox goodheart willcox duplicate of

modern woodworking workbook answer key pdf cie - Jul 02 2023

web feb 1 2023 created by an anonymous user imported from amazon com record modern woodworking instructors guide and answer key by willis h wagner 1991 goodheart

the house of night and chains warhammer horror kindle edition - Aug 03 2022

web the house of night and chains warhammer horror ebook annandale david amazon com au books

the house of night and chains warhammer horror - Jan 28 2022

web oct 26 2019 the house of night and chains warhammer horror kindle edition an astra militarium colonel broken by war and loss returns to his childhood home to take up the mantle of planetary governor but horrors await in the house of malveil that will make his experiences of war seem like child s play

the house of night and chain warhammer horror goodreads - Jul 14 2023

web the house of night and chain reads like a lovecraftian horror set within the realm of warhammer it made for a uniquely enthralling tale set in a universe full of lore and curiosity there was no mercy to be had here no concessions the house of night and chain was a dark and delicious read

review the house of night and chain by david annandale - Mar 10 2023

web the house of night and chain takes the standard haunted sentient house template and customizes it for the 40k universe
the house of night and chains warhammer horror - Apr 11 2023

web a warhammer horror novel an astra militarum colonel broken by war and loss returns to his childhood home to take up the mantle of planetary governor but horrors await in the house of malveil that will make his experiences of war seem like child s play

the house of night and chain warhammer horror david - Mar 30 2022

web the house of night and chain warhammer horror david annandale youtube another fantastically horrifying tale from warhammer horror the nightmarish house malveil awaits the return of

the house of night and chains warhammer horror book 9 by - Oct 05 2022

web a warhammer horror novel an astra militarum colonel broken by war and loss returns to his childhood home to take up the mantle of planetary governor but horrors await in the house of malveil that will make his experiences of war seem like child s play listen to it because haunted house stories are a staple of the horror genre in a

the house of night and chain warhammer horror amazon com - Feb 09 2023

web written by david annandale running time 7 hours 51 minutes narrated by dugald bruce lockhart read more 2019 games workshop limited p 2019 games workshop limited listening length 7 hours and 50 minutes author david annandale

the house of night and chain warhammer horror audio - Jul 02 2022

web horror fantasy audible sample playing paused the house of night and chain warhammer horror audible audiobook unabridged david annandale author dugald bruce lockhart narrator black library publisher 0more 4 4 out of 5 stars77 ratings see all formats and editions

the house of night and chain david annandale google books - May 12 2023

web oct 29 2019 the house of night and chain david annandale games workshop oct 29 2019 fiction 288 pages 0 reviews reviews aren t verified but google checks for and removes fake content when it s

the house of night and chain by david annandale audible com - Jan 08 2023

web publisher s summary a warhammer horror novel an astra militarum colonel broken by war and loss returns to his childhood home to take up the mantle of planetary governor but horrors await in the house of malveil that will

black library the house of night and chains - Dec 07 2022

web a warhammer horror novel an astra militarum colonel broken by war and loss returns to his childhood home to take up the mantle of planetary governor but horrors await in the house of malveil that will make his experiences of

the house of night and chain overdrive - Apr 30 2022

web oct 26 2019 he is a man broken both by the horrors of war and by personal loss and he has come home to take up the mantle of planetary governor he hopes he can purge his home world of political corruption and reforge connections with his estranged children he hopes he can rebuild his life malveil will feast on these dreams

the house of night and chain novel warhammer 40k - Aug 15 2023

web jun 7 2023 the house of night and chain is a novel by david annandale description at the edge of the city of valgaast malveil awaits it is a house of darkness its halls are filled with history and pain it knows all secrets and no weakness can be hidden from it now it stirs eagerly because its prey approaches

his hers 40k warhammer horror the house of night and chain - Feb 26 2022

web aug 16 2020 join us while we talk about david annandale s house of night and chain a super scary full gothic horror set in the warhammer universe this novel is amazing

the house of night and chain warhammer horror paperback - Sep 04 2022

web the house of night and chain warhammer horror paperback 31 oct 2019 by david annandale author 4 3 100 ratings see all formats and editions at the edge of the city of valgaast malveil awaits it is a house of darkness its halls are filled with history and pain

the house of night and chain warhammer horror unabridged - Nov 06 2022

web oct 26 2019 a warhammer horror novel an astra militarum colonel broken by war and loss returns to his childhood home to take up the mantle of planetary governor but horrors await in the house of malveil that will make his

[the house of night and chain warhammer horror amazon com](#) - Jun 13 2023

web oct 29 2019 the house of night and chain by david annandale is the latest in the warhammer horror series and it seriously nails that core concept this is a tale that will give you chills and thrills perfect for this time of the year no

[horror heresy the house of night and chain review](#) - Jun 01 2022

web oct 30 2019 series warhammer horror author david annandale publisher black library release date october 29 2019 format paperback ebook audiobook maeson strock returns to his planet to claim his title as lord governor he soon learns you can never go home in this genre line defining story set in the wh40k universe

amazon com customer reviews the house of night and chain warhammer - Dec 27 2021

web the house of night and chain reads like a lovecraftian horror set within the realm of warhammer it made for a uniquely enthralling tale set in a universe full of lore and curiosity there was no mercy to be had here no concessions the house of

night and chain was a dark and delicious read