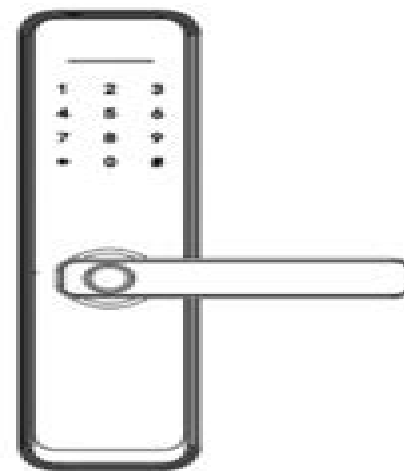


10. Technical Parameters

Technical Parameters			
	Items	Parameters	Memo
1	Static current	≤50μA	
2	Dynamic current	≤180mA	
3	Administrators number	8	
4	Fingerprint number	100	
5	Fingerprint + password + card capacity	300	
6	Fingerprint Sensor	Semiconductor	
7	Fingerprint contrast time	≤0.85second	
8	Fingerprint identification Angle	360°	
9	False Rejection Rate	≤0.1%	
10	False Recognition Rate	≤0.0001%	
11	Reaction time	≤0.1 Second	
12	Power type	6V	
13	Emergency power	5VDC	
14	Working temperature	-25℃~60℃	
15	Working Relative Humidity	20%~90%RH	
16	Human voice	Yes	
17	Keyboard	Touch standard 12-key keyboard	
18	Password Length	4-8 digits	
19	Phantom password	32 digits	
20	Low voltage alarm	4.5±0.2V	
21	Unlock time	≤1 Second	

Instruction of smart lock



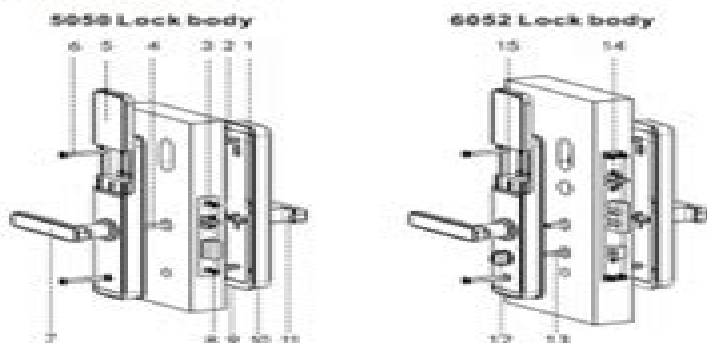
NOTICE:

1. Please read this instruction sheet before used.
2. Please take key with you or put it outside the room.

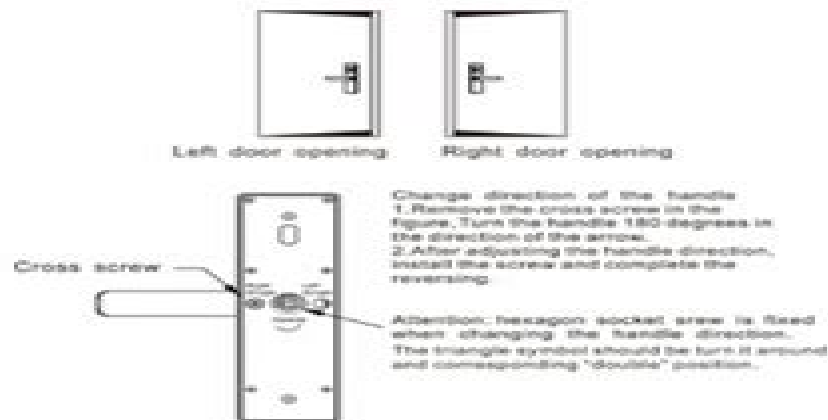
1. Installation

- a. Professional installation recommended
- b. Pay attention to the connecting cable during installation.
- c. Please adjust the handle direction according to the instructions.
- d. It is necessary to keep the door half open during installation
- e. After installation, please check whether fingerprint, password, IC card, key, internal and external handle, and anti lock switch can work normally.
- f. If it can't be used normally check for improper installation.

2. Installation diagram



3. Confirm the direction of the handle



4. Cutout

Refer to the hole drawing and the lock body model.

5. Install the lock body:

- 5.1 Support lock body model: 5050,4585,6085,5572,6072, 6052,ball lock, etc.
- 5.2 Adjust the direction of the diagonal tongue according

E Lock Manual

JS Bruner



E Lock Manual:

Ignite the flame of optimism with Crafted by is motivational masterpiece, **E Lock Manual** . In a downloadable PDF format (Download in PDF: *), this ebook is a beacon of encouragement. Download now and let the words propel you towards a brighter, more motivated tomorrow.

https://py.bijouxmedusa.com/book/publication/Documents/54_1848_Freelancing_Online_Software_For_Small_Business_54_29_45.pdf

Table of Contents E Lock Manual

1. Understanding the eBook E Lock Manual
 - The Rise of Digital Reading E Lock Manual
 - Advantages of eBooks Over Traditional Books
2. Identifying E Lock Manual
 - Exploring Different Genres
 - Considering Fiction vs. Non-Fiction
 - Determining Your Reading Goals
3. Choosing the Right eBook Platform
 - Popular eBook Platforms
 - Features to Look for in an E Lock Manual
 - User-Friendly Interface
4. Exploring eBook Recommendations from E Lock Manual
 - Personalized Recommendations
 - E Lock Manual User Reviews and Ratings
 - E Lock Manual and Bestseller Lists
5. Accessing E Lock Manual Free and Paid eBooks
 - E Lock Manual Public Domain eBooks
 - E Lock Manual eBook Subscription Services
 - E Lock Manual Budget-Friendly Options

6. Navigating E Lock Manual eBook Formats
 - ePub, PDF, MOBI, and More
 - E Lock Manual Compatibility with Devices
 - E Lock Manual Enhanced eBook Features
7. Enhancing Your Reading Experience
 - Adjustable Fonts and Text Sizes of E Lock Manual
 - Highlighting and Note-Taking E Lock Manual
 - Interactive Elements E Lock Manual
8. Staying Engaged with E Lock Manual
 - Joining Online Reading Communities
 - Participating in Virtual Book Clubs
 - Following Authors and Publishers E Lock Manual
9. Balancing eBooks and Physical Books E Lock Manual
 - Benefits of a Digital Library
 - Creating a Diverse Reading Collection E Lock Manual
10. Overcoming Reading Challenges
 - Dealing with Digital Eye Strain
 - Minimizing Distractions
 - Managing Screen Time
11. Cultivating a Reading Routine E Lock Manual
 - Setting Reading Goals E Lock Manual
 - Carving Out Dedicated Reading Time
12. Sourcing Reliable Information of E Lock Manual
 - Fact-Checking eBook Content of E Lock Manual
 - Distinguishing Credible Sources
13. Promoting Lifelong Learning
 - Utilizing eBooks for Skill Development
 - Exploring Educational eBooks
14. Embracing eBook Trends
 - Integration of Multimedia Elements

- Interactive and Gamified eBooks

E Lock Manual Introduction

In today's digital age, the availability of E Lock Manual books and manuals for download has revolutionized the way we access information. Gone are the days of physically flipping through pages and carrying heavy textbooks or manuals. With just a few clicks, we can now access a wealth of knowledge from the comfort of our own homes or on the go. This article will explore the advantages of E Lock Manual books and manuals for download, along with some popular platforms that offer these resources. One of the significant advantages of E Lock Manual books and manuals for download is the cost-saving aspect. Traditional books and manuals can be costly, especially if you need to purchase several of them for educational or professional purposes. By accessing E Lock Manual versions, you eliminate the need to spend money on physical copies. This not only saves you money but also reduces the environmental impact associated with book production and transportation. Furthermore, E Lock Manual books and manuals for download are incredibly convenient. With just a computer or smartphone and an internet connection, you can access a vast library of resources on any subject imaginable. Whether you're a student looking for textbooks, a professional seeking industry-specific manuals, or someone interested in self-improvement, these digital resources provide an efficient and accessible means of acquiring knowledge. Moreover, PDF books and manuals offer a range of benefits compared to other digital formats. PDF files are designed to retain their formatting regardless of the device used to open them. This ensures that the content appears exactly as intended by the author, with no loss of formatting or missing graphics. Additionally, PDF files can be easily annotated, bookmarked, and searched for specific terms, making them highly practical for studying or referencing. When it comes to accessing E Lock Manual books and manuals, several platforms offer an extensive collection of resources. One such platform is Project Gutenberg, a nonprofit organization that provides over 60,000 free eBooks. These books are primarily in the public domain, meaning they can be freely distributed and downloaded. Project Gutenberg offers a wide range of classic literature, making it an excellent resource for literature enthusiasts. Another popular platform for E Lock Manual books and manuals is Open Library. Open Library is an initiative of the Internet Archive, a non-profit organization dedicated to digitizing cultural artifacts and making them accessible to the public. Open Library hosts millions of books, including both public domain works and contemporary titles. It also allows users to borrow digital copies of certain books for a limited period, similar to a library lending system. Additionally, many universities and educational institutions have their own digital libraries that provide free access to PDF books and manuals. These libraries often offer academic texts, research papers, and technical manuals, making them invaluable resources for students and researchers. Some notable examples include MIT OpenCourseWare, which offers free access to course materials from the Massachusetts Institute of Technology, and the Digital Public Library of America, which provides a vast

collection of digitized books and historical documents. In conclusion, E Lock Manual books and manuals for download have transformed the way we access information. They provide a cost-effective and convenient means of acquiring knowledge, offering the ability to access a vast library of resources at our fingertips. With platforms like Project Gutenberg, Open Library, and various digital libraries offered by educational institutions, we have access to an ever-expanding collection of books and manuals. Whether for educational, professional, or personal purposes, these digital resources serve as valuable tools for continuous learning and self-improvement. So why not take advantage of the vast world of E Lock Manual books and manuals for download and embark on your journey of knowledge?

FAQs About E Lock Manual Books

How do I know which eBook platform is the best for me? Finding the best eBook platform depends on your reading preferences and device compatibility. Research different platforms, read user reviews, and explore their features before making a choice. Are free eBooks of good quality? Yes, many reputable platforms offer high-quality free eBooks, including classics and public domain works. However, make sure to verify the source to ensure the eBook credibility. Can I read eBooks without an eReader? Absolutely! Most eBook platforms offer web-based readers or mobile apps that allow you to read eBooks on your computer, tablet, or smartphone. How do I avoid digital eye strain while reading eBooks? To prevent digital eye strain, take regular breaks, adjust the font size and background color, and ensure proper lighting while reading eBooks. What the advantage of interactive eBooks? Interactive eBooks incorporate multimedia elements, quizzes, and activities, enhancing the reader engagement and providing a more immersive learning experience. E Lock Manual is one of the best book in our library for free trial. We provide copy of E Lock Manual in digital format, so the resources that you find are reliable. There are also many Ebooks of related with E Lock Manual. Where to download E Lock Manual online for free? Are you looking for E Lock Manual PDF? This is definitely going to save you time and cash in something you should think about.

Find E Lock Manual :

54-1848 freelancing online software for small business 54-2945

marketing apps USA 54-1988 digital marketing apps United States 54-1094

small business 54-1113 online privacy guide USA 54-2237 online privacy

development best practices United States 54-2373 chatbot development

review USA 54-320 mobile app ideas review USA 54-430 mobile app ideas

funding tutorial America 54-1125 startup funding tutorial America 54-989

[marketing ideas for entrepreneurs 54-1455 content marketing review](#)

business 54-1452 real estate investing tools for small business 54-2845

VPN services case study America 54-2287 VPN services case study for

[finance software America 54-155 personal finance software USA 54-2176](#)

[United States 54-1608 affiliate marketing software United States 54-2849](#)

[America 54-1052 mobile app ideas review USA 54-1367 mobile app ideas](#)

[step by step America 54-787 blockchain development step by step USA](#)

[improvement blueprint for startups 54-2109 self improvement case study](#)

[electric vehicles apps for small business 54-443 electric vehicles best](#)

E Lock Manual :

İman nedir sorularla İslamiyet - Aug 23 2023

web İman nasıl bir Şeydir İman kalbi ve vicdanı ilgilendiren bir haldir İman esaslarına kalbden inanıp bağlanan bir kimse mü min yani İmanlı sayılır İmanda asıl olan kalbin tasdikıdır İmanı dil ile söylemek de lâzım mıdır dil ile söylemek imanın şartı değildir

İman nedir İmana gelmek kısaca ne demektir tdk ya göre milliyet - Apr 19 2023

web nov 3 2022 İmana gelmek tam anlamıyla güvenmek anlamına gelir bu kelime grubunun da hem etimolojik hem de dini olmak üzere iki farklı anlamı vardır İlk anlamı dini olandır ve müslüman olmak

iman model wikipedia - Sep 24 2023

web iman mohamed abdulmajid somali iimaan maxamed cabdulmajiid born zara mohamed abdulmajid 25 july 1955 known mononymously as iman is a somali american model and actress a muse of the designers gianni versace thierry mugler calvin klein donna karan and yves saint laurent she is also noted for her philanthropic work

[he s not my late husband iman speaks of grief over death of](#) - Dec 15 2022

web dec 14 2022 the supermodel iman has opened up about her grief over the loss of her husband david bowie saying she refuses to refer to him as late vogue iman cover the couple were married in 1992

[İman directorate of religious affairs](#) - Jun 21 2023

web jul 7 2014 İman bir şeyi gönül huzuru ile benimsemiş ona içten ve yürekten inanmadır İslâm a göre iman peygamber efendimizin yüce allah tan getirdiklerinin doğru olduğunu kabul edip onlara gönülden inanmaktır

iman the real iman instagram photos and videos - May 20 2023

web 910k followers 1 898 following 7 562 posts see instagram photos and videos from iman the real iman

İman tdv İslâm ansiklopedisi - Jul 22 2023

web İman kavramı felsefede iki farklı anlamda ele alınır İlk anlamıyla iman güven emniyet samimiyet ve sırdaşlık duygularının motive ettiği bir tutumu anlatır bu tutum samimiyetine inanıp güvendiğimiz bir yakınımızla aramızdaki irtibata benzer bir ilişkinin ifadesidir

iman 65 looks 22 in new bare faced instagram selfie women s health - Mar 18 2023

web sep 15 2020 longtime supermodel iman 65 posted a new selfie to instagram in the selfcare sunday photo she s wearing a set of 75 golden eye patches from peter thomas roth iman could easily be confused

iman husband model daughter biography - Feb 17 2023

web apr 2 2014 iman is a somalian born model and actress while she was a student at the university of nairobi she was discovered by photographer peter beard through the 1970s and 1980s iman was a favorite

iman manken vikipedi - Jan 16 2023

web iman mohamed abdulmajid somalice iimaan maxamed cabdulmajiid arapça ████████ ████ ██████ d 25 temmuz 1955 mogadişu somalili eski manken aktris ve girişimci

riddles over 150 questions with answers let s roam - Nov 10 2022

web mar 15 2021 where can i find answers to riddles this list of over 150 of the best riddles ever contains both questions and answers you may find what you re looking for right here along with some riddles you haven t seen yet

48 short riddles quick riddles with answers reader s digest - Mar 14 2023

web may 20 2021 try out these quick short riddles warm up with easy riddles then test yourself with some trickier riddles too

100 best riddles with answers highest rated riddles - Dec 11 2022

web oct 15 2015 100 best riddles with answers highest rated riddles you ve found the best riddles and answers in the world whether you re a riddle wizard or a newb riddles com has the best riddles with answers all in one place

riddles to ponder super teacher worksheets - Oct 21 2023

web riddles to ponder here is a printable worksheet that features some clever riddles read the riddles and use the word clues to solve for the solution we have a variety of puzzles and brain teasers on super teacher worksheets be sure to view our entire collection of brain teaser worksheets

125 best riddles with answers to put your minds to the test - Sep 20 2023

web spring tricky riddles valentine s day what am i world s hardest riddles best riddles of all time i never was and am always to be no one ever saw me nor ever will and yet i am the confidence of all to live and breathe on this terrestrial ball what am i

tomorrow or the future 2 at night they come without being fetched

riddles to ponder flashcards quizlet - Sep 08 2022

web riddles to ponder 4 7 3 reviews term 1 12 i always run but never walk i have a bed but never sleep i have a mouth but never eat click the card to flip definition

riddles to ponder super teacher worksheets pdf4pro com - Jul 06 2022

web riddles to ponder can you figure out the answers to the riddles 1 i come one in a minute twice in a moment but never in a thousand years 1 the letter m 2 i always run but never walk i have a bed but i don t sleep i have a mouth but i don t eat 2 a river 3 when you put this in a heavy wooden box the box will become lighter 3 a

hard riddles to test your smarts with answers reader s digest - Feb 13 2023

web jul 16 2021 1 i speak without a mouth and hear without ears i have no body but i come alive with wind what am i this riddle relies on tricking you into thinking about ears and a mouth you get a tiny

riddles to ponder super teacher worksheets pdf4pro com - May 04 2022

web riddles to ponder super teacher worksheets name riddles to ponder can you figure out the answers to the riddles 1 i come one in a minute twice in a moment but never in a thousand 2 i always run but never have a bed but i don t have a mouth but i don t 3 when you put this in a heavy wooden box the box will become 4

riddles to ponder by mrfitz tpt - Apr 03 2022

web 2 pages 1 00 add one to cart buy licenses to share wish list report this resource to tpt mrfitz 36 followers follow

10 tricky riddles that ll make you sit down and ponder bright - Oct 09 2022

web 10 tricky riddles that ll make you sit down and ponder bright side error t at is not a function riddles are some sort of a workout for the mind so to train your brain and freshen your nerves you can solve brainteasers in this article but quick disclaimer the answer to 90 of these riddles is not what you think it is

30 free riddles and answers to solve 2023 puzzles brain - Aug 07 2022

web can you come up with a cool funny or clever free riddles of your own post it below without the answer to see if you can stump our users 1 why was the math book sad it had too many problems 2 why did the tomato turn red because it saw the salad dressing 3 why don t eggs tell jokes they d crack each other up 4

22 hilarious riddle puns punstoppable - Mar 02 2022

web may 3 2021 related topics riddle a riddle is a statement question or phrase having a double or veiled meaning put forth as a puzzle to be solved riddles are of two types enigmas which matt riddle matthew fredrick riddle born january 14 1986 is an american professional wrestler and former mixed martial artist he is currently signed to

50 clever riddles examples types for everyone with answers - Apr 15 2023

web jul 19 2022 there are two types of riddles enigmas and conundra an enigma is a problem in which the solution is expressed metaphorically you have to carefully think about the riddle to come up with the solution a conundrum is a question that opens either the question or the answer

greatest philosophical riddles of all time - Jun 05 2022

web sep 30 2017 philosophy riddles relates to the study of and attempts to understand the root nature of reality existence and knowledge there are many questions in life for which there are no set answers or such diverging opinions on answers that just raise more questions here are greatest philosophical riddles for you to ponder

1 riddle me this riddle me this 2 super teacher worksheets - Jan 12 2023

web i have a mouth but i don t eat 3 when you put this in a heavy wooden box the box will become lighter 4 you hear my sound you feel me when i move but see me you never will super teacher worksheets

riddles to ponder super teacher worksheets - May 16 2023

web riddles to ponder name riddles to ponder can you figure out the answers to the riddles 1 2 3 4 5 6 7 8 i come one in a minute twice in a moment but never in a thousand years i always run but never walk i have a bed but i don t sleep i have a mouth but i don t eat

riddles with answers riddles com - Jul 18 2023

web nov 17 2023 the original riddles website thousands of riddles with answers for kids and adults to tell share and rate plus a riddle of the day every day last updated nov 17 2023 the best riddles with answers are enigmas wrapped up in a

36 clever riddles fun hard and impossible brightful - Jun 17 2023

web sep 11 2020 if you enjoy riddles you will probably love playing trivia too 13 fun and clever riddles these riddles are clever and humorous and funny enough to get a laugh from the answer you can probably assume the answer is a play on words or a something equally cheeky great fun to use as an icebreaker 1

101 best riddles for kids and adults with answers parade - Aug 19 2023

web easy riddles 1 riddle what has to be broken before you can use it answer an egg 2 riddle i m tall when i m young and i m short when i m old what am i answer a candle 3

plate tectonics test review flashcards quizlet - Apr 26 2022

web plate tectonics what is the theory process that shapes our planet s surface over long periods of time and is the movement of earth s outer layer asthenosphere

plate tectonics test earth science printable grades 6 12 - Jul 10 2023

web plate tectonics test test students knowledge and understanding of plate tectonics with this printable science exam students will interpret maps of earth s surface answer multiple choice questions and complete a written response section

theory of plate tectonics earth science socratic - Oct 01 2022

web jan 28 2017 at the convergent boundaries the continental plates are pushed upward and gain thickness the rocks and geological layers are much older on continental plates than in the oceanic plates the continental plates are much less dense than the oceanic plates

glencoe earth science mcgraw hill education - Jan 04 2023

web glencoe earth science chapter 10 plate tectonics standardized test practice your results the correct answer for each question is indicated by a 1 which of the rock clues d magnetic pole reversals 2 the process occurring in the mantle that is thought to be the force behind plate tectonics is an example of a n a plate boundary

earth and life science ii answer key pdf rock geology plate - Jul 30 2022

web which of the following causes earth s tectonic plates to move a magnetic pole reversal c faults in mountain ranges b energy from the sun d convection currents in the mantle 36

plate tectonics quiz and answer key teaching resources tpt - Feb 22 2022

web the quiz covers the following learning objectives 2 1 identify evidence of plate tectonics 2 2 explain what causes the movement of tectonic plates 2 3 utilize seismic data to locate plate boundaries 2 4 identify the 3 types of plate boundaries 2 5 identify the specific motions events and features that occur near each type of plate

plate tectonics color by number answer key pdf pdffiller - May 08 2023

web plate names the names of major tectonic plates such as the pacific plate north american plate eurasian plate etc should be identified and labeled 4 earthquake and volcanic activity locations of significant earthquakes and volcanic eruptions should be marked on the map with symbols or magnitude scales indicating their intensity

earth science phet plate tectonics answer key answers for - Oct 13 2023

web 6436 earth science phet plate tectonics answer key added by request 4321 kb s 4625 what would the earth be like if it didn t have plate tectonics without plate tectonics there would be no mountains earthquakes volcanoes tsunamis or continental drift if the earth did not move there may not be any continents at all at c

plate tectonics the geological society assist - Apr 07 2023

web this online resource has an interactive map showing tectonic activity the map of the earth have optional layers showing tectonic plate boundaries volcanoes earthquakes types of boundaries etc there is also a teacher site that has

plate tectonics earth science - Aug 11 2023

web usgs major plates african antarctic eurasian indian australian nazca north american pacific south american smaller plates arabian caribbean cocos juan de fuca philippine scotia usgs most plates composed are of both continental and oceanic lithosphere e g africa south america oceanic ridges and trenches represent most plate boundaries

plate tectonics practice questions and answers - Dec 03 2022

web plate tectonics practice questions and answers revised august 2007 1 please fill in the missing labels 2 please fill in the missing labels 3 how many large plates form the outer shell of the earth 4 what lies directly beneath the crust 5 the upper mantle and crust make up what major tectonic feature of our planet 6

plate tectonics definition theory facts evidence - Aug 31 2022

web sep 26 2023 plate tectonics theory dealing with the dynamics of earth s outer shell that revolutionized earth sciences by providing a uniform context for understanding mountain building processes volcanoes and earthquakes as well as the evolution of earth s surface and reconstructing its past continents and oceans

plate tectonics 6th grade science worksheets vocabulary sets - Mar 06 2023

web plate tectonics the earth s layers crust mantle core plate tectonics is a scientific theory that describes the large scale motion of plates of the earth s crust over hot mantle rock plate tectonics are active on earth since the very beginning science worksheets and study guides sixth grade plate tectonics

plate tectonics lab answer key studylib net - Sep 12 2023

web volcanic mountains subduction zones 6 click the yellow reset all button 7 drag and drop old oceanic crust on the left hand side of the plate boundary 8 drag and drop new oceanic crust on the right hand side of the plate boundary 9

plate tectonics mcgraw hill education - Nov 02 2022

web chapter 10 plate tectonics by clicking below students can find web links for the science online features in their book section and chapter review quizzes standardized test practice additional math practice games and puzzles based on chapter content science concept animations and internet labs web links

answers to exploration questions plate tectonics - Feb 05 2023

web answer over earth s 4 5 billion year history the continents have come together and spread apart at least three times this motion is driven by convection in earth s mantle since earth s mantle will continue to flow the plates will continue to move

plate tectonics lab answer key docx earth science 6h - Mar 26 2022

web view lab plate tectonics lab answer key docx from science lab physic at marlboro high earth science 6h name date p t plate tectonics simulation getting started 1 open up the internet

phet plate tectonics mrs sjuts science site home - Jun 28 2022

web created date 20191001124033z

chapter 7 plate tectonics - May 28 2022

web lesson 3 key concepts what is the theory of plate tectonics what are the three types of plate boundaries why do tectonic plates move 3study oach make an outline use the main heads in this lesson as the main points of your outline complete the

outline with details found in the lesson study the lesson by reviewing your outline

plate tectonics study guide answer key pdf scribd - Jun 09 2023

web f 1 earth s surface is not a single piece of rock instead it is made up of many plates 2 there are many tectonic plates on earth but only about 7 to 12 huge plates the largest include the african plate antarctic plate eurasian plate indo australian plate north american plate pacific plate south american plate 3