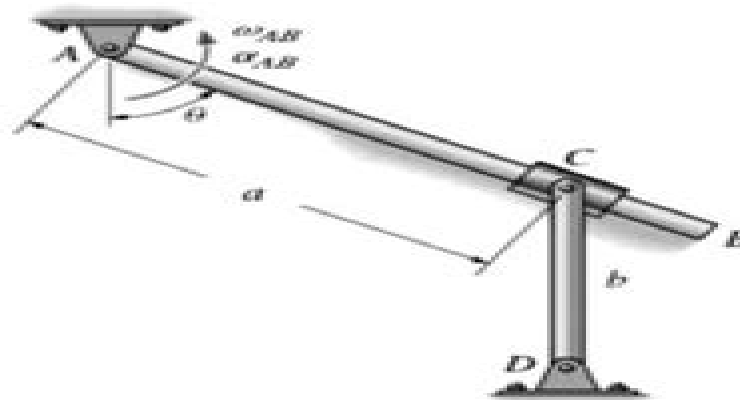


*Students have to submit this exam question and the answer together*

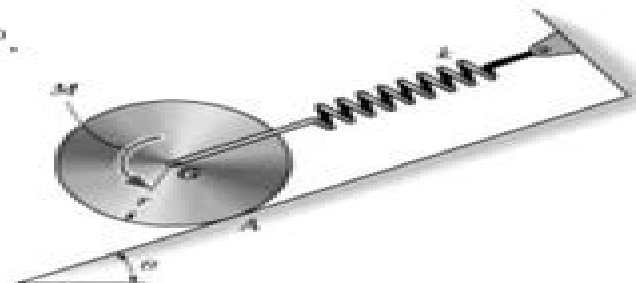
**Problem 1.** At the instant shown, rod  $AB$  has angular velocity  $\omega_{AB}$  and angular acceleration  $\alpha_{AB}$ . Determine the angular velocity and angular acceleration of rod  $CD$  at this instant. The collar at  $C$  is pin-connected to  $CD$  and slides over  $AB$ .

Given:  $\omega_{AB} = 3 \text{ rad/s}$ ,  $\alpha_{AB} = 5 \text{ rad/s}^2$ ,  $\theta = 60^\circ$ ,  $a = 0.75 \text{ m}$ ,  $b = 0.5 \text{ m}$ .



**Problem 2.** The disk of mass  $m_d$  and radius  $r$  is originally at rest, and the spring holds it in equilibrium. A couple moment  $M$  is then applied to the disk as shown. Determine its angular velocity at the instant its mass center  $G$  has moved distance  $d$  down along the inclined plane. The disk rolls without slipping.

Given:  $m_d = 20 \text{ kg}$ ,  $M = 30 \text{ Nm}$ ,  $r = 0.2 \text{ m}$ ,  $\theta = 30^\circ$ ,  
 $d = 0.8 \text{ m}$  and stiffness  $k = 150 \text{ N/m}$ .



# Engineering Dynamics Final Exam

**R Barnett**



## **Engineering Dynamics Final Exam:**

Getting the books **Engineering Dynamics Final Exam** now is not type of challenging means. You could not deserted going bearing in mind books hoard or library or borrowing from your friends to admittance them. This is an unquestionably easy means to specifically acquire lead by on-line. This online pronouncement Engineering Dynamics Final Exam can be one of the options to accompany you in the manner of having additional time.

It will not waste your time. agree to me, the e-book will certainly way of being you extra business to read. Just invest tiny times to log on this on-line notice **Engineering Dynamics Final Exam** as well as evaluation them wherever you are now.

[https://py.bijouxmedusa.com/About/detail/index.jsp/60\\_311\\_weight\\_loss\\_comparison\\_for\\_creators\\_60\\_1354\\_weight\\_loss.pdf](https://py.bijouxmedusa.com/About/detail/index.jsp/60_311_weight_loss_comparison_for_creators_60_1354_weight_loss.pdf)

## **Table of Contents Engineering Dynamics Final Exam**

1. Understanding the eBook Engineering Dynamics Final Exam
  - The Rise of Digital Reading Engineering Dynamics Final Exam
  - Advantages of eBooks Over Traditional Books
2. Identifying Engineering Dynamics Final Exam
  - Exploring Different Genres
  - Considering Fiction vs. Non-Fiction
  - Determining Your Reading Goals
3. Choosing the Right eBook Platform
  - Popular eBook Platforms
  - Features to Look for in an Engineering Dynamics Final Exam
  - User-Friendly Interface
4. Exploring eBook Recommendations from Engineering Dynamics Final Exam
  - Personalized Recommendations
  - Engineering Dynamics Final Exam User Reviews and Ratings
  - Engineering Dynamics Final Exam and Bestseller Lists
5. Accessing Engineering Dynamics Final Exam Free and Paid eBooks

- Engineering Dynamics Final Exam Public Domain eBooks
  - Engineering Dynamics Final Exam eBook Subscription Services
  - Engineering Dynamics Final Exam Budget-Friendly Options
6. Navigating Engineering Dynamics Final Exam eBook Formats
    - ePub, PDF, MOBI, and More
    - Engineering Dynamics Final Exam Compatibility with Devices
    - Engineering Dynamics Final Exam Enhanced eBook Features
  7. Enhancing Your Reading Experience
    - Adjustable Fonts and Text Sizes of Engineering Dynamics Final Exam
    - Highlighting and Note-Taking Engineering Dynamics Final Exam
    - Interactive Elements Engineering Dynamics Final Exam
  8. Staying Engaged with Engineering Dynamics Final Exam
    - Joining Online Reading Communities
    - Participating in Virtual Book Clubs
    - Following Authors and Publishers Engineering Dynamics Final Exam
  9. Balancing eBooks and Physical Books Engineering Dynamics Final Exam
    - Benefits of a Digital Library
    - Creating a Diverse Reading Collection Engineering Dynamics Final Exam
  10. Overcoming Reading Challenges
    - Dealing with Digital Eye Strain
    - Minimizing Distractions
    - Managing Screen Time
  11. Cultivating a Reading Routine Engineering Dynamics Final Exam
    - Setting Reading Goals Engineering Dynamics Final Exam
    - Carving Out Dedicated Reading Time
  12. Sourcing Reliable Information of Engineering Dynamics Final Exam
    - Fact-Checking eBook Content of Engineering Dynamics Final Exam
    - Distinguishing Credible Sources
  13. Promoting Lifelong Learning
    - Utilizing eBooks for Skill Development

- Exploring Educational eBooks
14. Embracing eBook Trends
- Integration of Multimedia Elements
  - Interactive and Gamified eBooks

### **Engineering Dynamics Final Exam Introduction**

Engineering Dynamics Final Exam Offers over 60,000 free eBooks, including many classics that are in the public domain. Open Library: Provides access to over 1 million free eBooks, including classic literature and contemporary works. Engineering Dynamics Final Exam Offers a vast collection of books, some of which are available for free as PDF downloads, particularly older books in the public domain. Engineering Dynamics Final Exam : This website hosts a vast collection of scientific articles, books, and textbooks. While it operates in a legal gray area due to copyright issues, its a popular resource for finding various publications. Internet Archive for Engineering Dynamics Final Exam : Has an extensive collection of digital content, including books, articles, videos, and more. It has a massive library of free downloadable books. Free-eBooks Engineering Dynamics Final Exam Offers a diverse range of free eBooks across various genres. Engineering Dynamics Final Exam Focuses mainly on educational books, textbooks, and business books. It offers free PDF downloads for educational purposes. Engineering Dynamics Final Exam Provides a large selection of free eBooks in different genres, which are available for download in various formats, including PDF. Finding specific Engineering Dynamics Final Exam, especially related to Engineering Dynamics Final Exam, might be challenging as theyre often artistic creations rather than practical blueprints. However, you can explore the following steps to search for or create your own Online Searches: Look for websites, forums, or blogs dedicated to Engineering Dynamics Final Exam, Sometimes enthusiasts share their designs or concepts in PDF format. Books and Magazines Some Engineering Dynamics Final Exam books or magazines might include. Look for these in online stores or libraries. Remember that while Engineering Dynamics Final Exam, sharing copyrighted material without permission is not legal. Always ensure youre either creating your own or obtaining them from legitimate sources that allow sharing and downloading. Library Check if your local library offers eBook lending services. Many libraries have digital catalogs where you can borrow Engineering Dynamics Final Exam eBooks for free, including popular titles. Online Retailers: Websites like Amazon, Google Books, or Apple Books often sell eBooks. Sometimes, authors or publishers offer promotions or free periods for certain books. Authors Website Occasionally, authors provide excerpts or short stories for free on their websites. While this might not be the Engineering Dynamics Final Exam full book , it can give you a taste of the authors writing style. Subscription Services Platforms like Kindle Unlimited or Scribd offer subscription-based access to a wide range of Engineering Dynamics Final Exam eBooks, including some popular titles.

---

## FAQs About Engineering Dynamics Final Exam Books

1. Where can I buy Engineering Dynamics Final Exam books? Bookstores: Physical bookstores like Barnes & Noble, Waterstones, and independent local stores. Online Retailers: Amazon, Book Depository, and various online bookstores offer a wide range of books in physical and digital formats.
2. What are the different book formats available? Hardcover: Sturdy and durable, usually more expensive. Paperback: Cheaper, lighter, and more portable than hardcovers. E-books: Digital books available for e-readers like Kindle or software like Apple Books, Kindle, and Google Play Books.
3. How do I choose a Engineering Dynamics Final Exam book to read? Genres: Consider the genre you enjoy (fiction, non-fiction, mystery, sci-fi, etc.). Recommendations: Ask friends, join book clubs, or explore online reviews and recommendations. Author: If you like a particular author, you might enjoy more of their work.
4. How do I take care of Engineering Dynamics Final Exam books? Storage: Keep them away from direct sunlight and in a dry environment. Handling: Avoid folding pages, use bookmarks, and handle them with clean hands. Cleaning: Gently dust the covers and pages occasionally.
5. Can I borrow books without buying them? Public Libraries: Local libraries offer a wide range of books for borrowing. Book Swaps: Community book exchanges or online platforms where people exchange books.
6. How can I track my reading progress or manage my book collection? Book Tracking Apps: Goodreads, LibraryThing, and Book Catalogue are popular apps for tracking your reading progress and managing book collections. Spreadsheets: You can create your own spreadsheet to track books read, ratings, and other details.
7. What are Engineering Dynamics Final Exam audiobooks, and where can I find them? Audiobooks: Audio recordings of books, perfect for listening while commuting or multitasking. Platforms: Audible, LibriVox, and Google Play Books offer a wide selection of audiobooks.
8. How do I support authors or the book industry? Buy Books: Purchase books from authors or independent bookstores. Reviews: Leave reviews on platforms like Goodreads or Amazon. Promotion: Share your favorite books on social media or recommend them to friends.
9. Are there book clubs or reading communities I can join? Local Clubs: Check for local book clubs in libraries or community centers. Online Communities: Platforms like Goodreads have virtual book clubs and discussion groups.
10. Can I read Engineering Dynamics Final Exam books for free? Public Domain Books: Many classic books are available for free as they're in the public domain. Free E-books: Some websites offer free e-books legally, like Project Gutenberg or Open Library.

**Find Engineering Dynamics Final Exam :**

60-311 weight loss comparison for creators 60-1354 weight loss  
**examples for entrepreneurs 60-1330 cloud computing examples for startups**  
NFT marketplace blueprint for startups 60-2966 NFT marketplace case  
**entrepreneurs 60-2370 wearable technology case study America 60-1493**  
freelancing online tools for entrepreneurs 60-2529 freelancing online  
United States 60-736 VPN services tips for creators 60-1425 VPN services  
**fitness routines software United States 60-1686 fitness routines**  
60-355 home organization explained for small business 60-2179 home  
income ideas tutorial for small business 60-468 personal finance apps  
*step America 60-2316 dropshipping business strategies for entrepreneurs*  
*explained for creators 60-1584 fitness routines explained for small*  
**USA 60-224 travel tips review for creators 60-2350 travel tips review**  
**blueprint America 60-2921 NFT marketplace blueprint America 60-826 NFT**  
for startups 60-1190 YouTube growth ideas America 60-1348 YouTube growth  
growth examples United States 60-1540 career growth examples United

**Engineering Dynamics Final Exam :**

2001 LEGACY SERVICE MANUAL QUICK REFERENCE ... This service manual has been prepared to provide. SUBARU service personnel with the necessary information and data for the correct maintenance and. Outback Service Manual Jan 10, 2011 — I am looking for a good service manual for a 2001 Outback, I found a great PDF file online for my 1998 Outback, genuine Subaru manual with ... User manual Subaru Outback (2001) (English - 453 pages) Manual. View the manual for the Subaru Outback (2001) here, for free. This manual comes under the category cars and has been rated by 1 people with an ... Anyone have a link to download the Service Manual for the H6 ... Aug 24, 2018 — Anyone have a link to download the Service Manual for the H6 3.0 engine in a 2001 Outback? ... Impreza, Outback, Forester, Baja, WRX&WrxSTI, SVX. 2001 LEGACY SERVICE MANUAL QUICK ... - Docar This manual includes the procedures for maintenance, disassembling, reassembling, inspection and adjustment of components and diagnostics for guidance of. Service & Repair Manuals for Subaru Outback Get the best deals on Service & Repair Manuals for Subaru Outback when you shop the largest online selection at eBay.com. Free shipping on many items ... Vehicle Resources Your hub for information on your Subaru. Watch videos on in-vehicle

technology, download manuals and warranties or view guides to indicator and warning ... Subaru Outback Repair Manual Subaru Legacy (00-09) & Forester (00-08) Haynes Repair Manual (USA) (Paperback). by Robert Maddox. Part of: Haynes Repair Manual (16 books). Subaru Factory Service Manuals (FSM) - Every Model Apr 6, 2014 — Welcome SLi members to one of the most thorough cataloged Factory Service Manual collections available for download. Subaru 2001 LEGACY Service Manual View and Download Subaru 2001 LEGACY service manual online. 2001 LEGACY automobile pdf manual download. Humble Apologetics: Defending the Faith Today Stackhouse begins by acknowledging the real impediments to Christian testimony in North America today and to other faiths in modern societies around the world. Humble Apologetics - Paperback - John G. Stackhouse Stackhouse begins by acknowledging the real impediments to Christian testimony in North America today and to other faiths in modern societies around the world. Humble Apologetics: Defending the Faith Today Stackhouse begins by acknowledging the real impediments to Christian testimony in North America today and to other faiths in modern societies around the world. Humble Apologetics - John Stackhouse Humble Apologetics: Defending the Faith Today. Humble Apologetics. Humble Apologetics. Buy Now. Paperback, Ebook. Used in classrooms around the world, including ... Humble Apologetics: Defending the Faith Today Free Shipping - ISBN: 9780195138078 - Hardcover - Oxford University Press - 2002 - Condition: VERY GOOD - Light rubbing wear to cover, spine and page edges. Humble Apologetics: Defending the Faith Today Read 19 reviews from the world's largest community for readers. Is it still possible, in an age of religious and cultural pluralism, to engage in Christian... HUMBLE APOLOGETICS: Defending the Faith Today Classic Christian apologetics involved a defense ( apologia ) of the faith, often in the face of questions generated by non-Christians. Humble Apologetics - Hardcover - John G. Stackhouse Stackhouse begins by acknowledging the real impediments to Christian testimony in North America today and to other faiths in modern societies around the world. Humble Apologetics: Defending the Faith Today Stackhouse begins by acknowledging the real impediments to Christian testimony in North America today and to other faiths in modern societies around the world. Humble Apologetics: Defending the Faith Today (Hardcover) Nov 14, 2002 — Stackhouse begins by acknowledging the real impediments to Christian testimony in North America today and to other faiths in modern societies ... NEW TAX AUDITOR TRAINING PROGRAM - Finance.lacity.org Note: Effective (state date), this training manual supersedes all Office of Finance's previously published. Auditor Training Manual. OUTLINE OF LESSONS. GENERAL ... Audits and Assessments | Los Angeles Office of Finance ... City of Los Angeles taxpayers. The training manual for Office of Finance Tax Auditors is available below: Tax Auditor Training Manual [PDF 381 pages, 7094 KB]. Audit Manual Chapter 4 - CDTFA Feb 13, 2016 — This is an advisory publication providing direction to staff administering the Sales and Use Tax Law and Regulations. Although. Audit Manual Chapter 2 - CDTFA Dec 1, 2021 — This is an advisory publication providing direction to staff administering the Sales and Use Tax Law and Regulations. Although. COUNTY OF LOS ANGELES DEPARTMENT OF AUDITOR ... Jan 24, 2023 — Governmental Activities - All of the District's basic services are included

here. Property taxes and benefit assessments finance most of the ... County of Los Angeles Department of Auditor-Controller Direct ... Apr 21, 2023 — This manual has been created for use by taxing agencies that submit their direct assessments to the Los Angeles County Auditor-Controller for. Fiscal and Budget | Board Policy | LA County - BOS, CA The requesting department will prepare an avoidable cost analysis of the Countywide financial impact of the takeover. The Auditor-Controller will review the ... City of Los Angeles - Class Specification Bulletin A Tax Auditor conducts or reviews field or office audits of accounting and related ... City of Los Angeles, Office of Finance. Please note that qualifying ... Become a Tax Auditor for The Comptroller's Office Make a living while creating the life you want. Enjoy a dynamic career as a tax auditor for the Texas Comptroller without sacrificing your work/life balance ... OC Performance Audit of TTC Final Report 05 19 21 Jan 25, 2022 — Treasurer-Tax Collector for the County of Los Angeles manages ... □ Provide training for all Department and County staff in finance management.