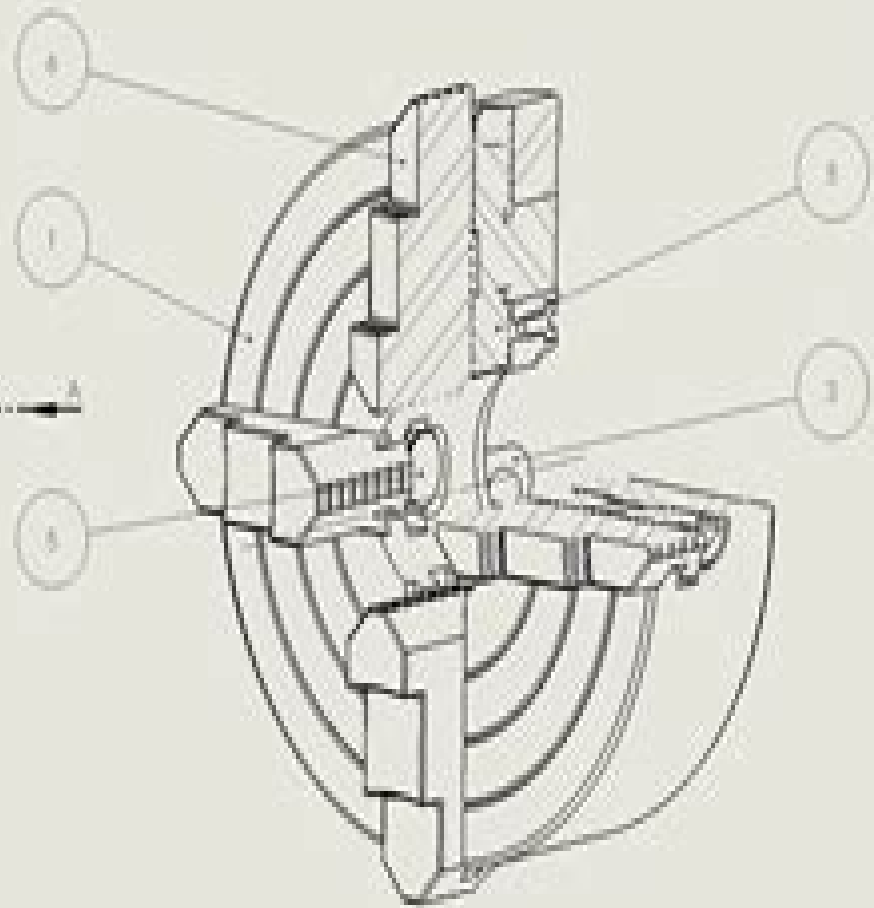
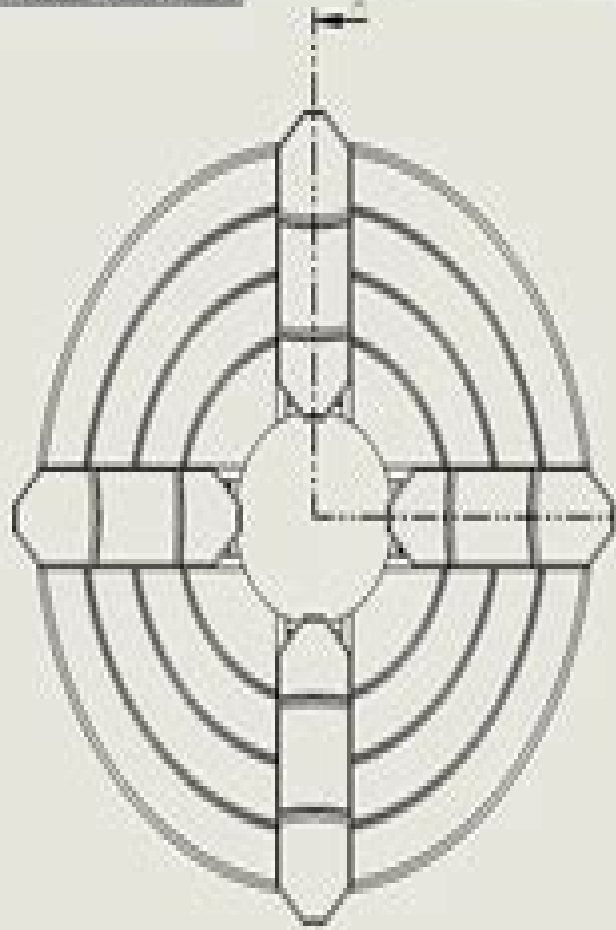


- Annotations
- Section View A-A



SECTION A-A
SCALE: 1:1

Drawing Section View Solidworks Savoi

**Ronald E. Barr ,Davor Juricic,Thomas
Krueger,Alejandro Reyes**

Drawing Section View Solidworks Savoi:

Drawing and Detailing with SOLIDWORKS 2022 David Planchard,2022-02 Drawing and Detailing with SOLIDWORKS 2022 is written to educate and assist students designers engineers and professionals in the drawing and detailing tools of SOLIDWORKS Explore the learning process through a series of design situations industry scenarios projects and objectives target towards the beginning to intermediate SOLIDWORKS user Work through numerous activities to create multiple view multiple sheet detailed drawings and assembly drawings Develop Drawing templates Sheet formats and Custom and Link Properties Construct drawings that incorporate part configurations assembly configurations and design tables with equations Manipulate annotations in parts drawings assemblies Revision tables and Bills of Materials Drawing and Detailing with SOLIDWORKS 2022 is not a reference book for all drafting and drawing techniques and tools The book provides information and examples in the following areas History of engineering graphics manual sketching techniques orthographic projection isometric projection multi view drawings dimensioning practices fasteners in general tolerance and fit and the history of CAD leading to the development of SOLIDWORKS Start a SOLIDWORKS 2022 session and to understand the following interfaces Menu bar toolbar Menu bar menu Drop down menus Context toolbars Consolidated drop down toolbars System feedback icons Confirmation Corner Heads up View toolbar Document Properties and more Provide an understanding of how SOLIDWORKS drawing documents and templates are created and used Create an awareness on the structure of a Drawing document General knowledge of the ASME Y14 5 Engineering Drawing and Related Documentation Practices Create multi sheet drawings from various part configurations and develop the following drawing views Standard Isometric Auxiliary Section Broken Section Detail Half Section Cut away Crop Projected Back with a Bill of Materials using equations and a Revision Table Insert and edit Dimensions Feature Control Frames Datums Geometric Tolerancing Surface Finishes and Weld Symbols using Model Based Definitions MBD DimXpert and manual techniques Chapter 10 provides a section to review the Certified SOLIDWORKS Associate CSWA program Understand the curriculum and categories of the CSWA exam and the required model knowledge needed to successfully take and pass the exam Chapter 11 provides a section on the Certified SOLIDWORKS Professional Advanced Drawing tools CSWPA DT exam with sample exam questions and initial and final SOLIDWORKS models Understand the curriculum and categories of the exam and the required model knowledge needed to successfully take and pass the exam The author developed the industry scenarios by combining his own industry experience with the knowledge of engineers department managers vendors and manufacturers These professionals are directly involved with SOLIDWORKS every day

Drawing and Detailing With Solidworks 2012 David Planchard,Marie Planchard,2012-05-11 Drawing and Detailing with SolidWorks 2012 is written to educate and assist students designers engineers and professionals in the drawing and detailing tools of SolidWorks Explore the learning process through a series of design situations industry scenarios projects and objectives target towards the beginning to intermediate SolidWorks user

Work through numerous activities to create multiple view multiple sheet detailed drawings and assembly drawings Develop Drawing templates Sheet formats and Custom Properties Construct drawings that incorporate part configurations assembly configurations and design tables with equations Manipulate annotations in parts drawings assemblies Revision tables Bills of Materials and more Apply your drawing and detailing knowledge to over thirty exercises The exercises test your usage competency as well as explore additional topics with industry examples Advanced exercises require the ability to create parts and assemblies Drawing and Detailing with SolidWorks 2012 is not a reference book for all drafting and drawing techniques and tools The book provides information and examples in the following areas History of engineering graphics manual sketching techniques orthographic projection isometric projection multi view drawings dimensioning practices fasteners in general tolerance and fit and the history of CAD leading to the development of SolidWorks Start a SolidWorks 2012 session and to understand the following interfaces Menu bar toolbar Menu bar menu Drop down menus Context toolbars Consolidated drop down toolbars System feedback icons Confirmation Corner Heads up View toolbar Document Properties and more Apply Document Properties to reflect the ASME Y14 Engineering Drawing and related Drawing Practices Import an AutoCAD file as a Sheet format Insert SolidWorks System Properties and Custom Properties Create new SolidWorks Document tabs Create multi sheet drawings from various part configurations and develop the following drawing views Standard Isometric Auxiliary Section Broken Section Detail Half Section Cut away Crop Projected Back with a Bill of Materials and a Revision Table and Revisions Insert and edit Dimensions Feature Control Frames Datums Geometric Tolerancing Surface Finishes and Weld Symbols using DimXpert and manual techniques Create apply and save Blocks and Parametric Notes in a drawing Chapter 10 provides a bonus section on the Certified SolidWorks Associate CSWA program with sample exam questions and initial and final SolidWorks models The book is designed to compliment the SolidWorks Users Guide SolidWorks Reference Guide Standards Engineering Drawing Design and Graphics Communications reference books The authors recognize that companies utilize additional drawing standards The authors developed the industry scenarios by combining industry experience with their knowledge of engineers sales vendors and manufacturers These professionals are directly involved with SolidWorks everyday Their work goes far beyond a simple drawing with a few dimensions They create detailed drawings assembly drawings marketing drawings and customer drawings SolidWorks users work between drawings parts assemblies and many other documents to complete a project on time

Design Workbook Using SOLIDWORKS 2020 Ronald E. Barr ,Davor Juricic,Thomas Krueger,Alejandro Reyes,2020-06-23 Revised and refreshed for SOLIDWORKS 2020 Design Workbook Using SOLIDWORKS 2020 is an exercise based book that guides you through a series of easy to understand step by step tutorials that cover basic SOLIDWORKS commands The 2020 edition includes updated SOLIDWORKS processes and methods to create models more efficiently than ever before The intended audience is undergraduate engineering majors but it can also be used in pre college engineering courses The engaging and

straightforward lab exercises in this workbook are also ideal for self learners The text takes an educational approach where you learn through repetition starting with simple models and introducing more complex models and commands as the book progresses leading you to create assemblies make Finite Element Analyses detail manufacturing drawings complete dynamic simulations and learn the basics of rapid prototyping The principles of engineering graphics are also incorporated into the lessons throughout the text The commands and functions learned throughout this book will help a new user understand their use how to apply them in different situations and design ever more complex components

Drawing and Detailing with SolidWorks 2010 David C. Planchard, Marie P. Planchard, 2010-04-06 Drawing and Detailing with SolidWorks 2010 is written to educate and assist students designers engineers and professionals in the drawing and detailing tools of SolidWorks Explore the learning process through a series of design situations industry scenarios projects and objectives targeted towards the beginning to intermediate SolidWorks user Work through numerous activities to create multiple view multiple sheet detailed drawings and assembly drawings Develop Drawing templates Sheet formats and Custom Properties Construct drawings that incorporate part configurations assembly configurations and design tables Manipulate annotations in parts drawings assemblies Revision tables Bills of Materials and more Apply your drawing and detailing knowledge to over thirty exercises The exercises test your usage competency as well as explore additional topics with industry examples Advanced exercises require the ability to create parts and assemblies Drawing and Detailing with SolidWorks 2010 is not a reference book for all drafting and drawing techniques The book provides examples to Start a SolidWorks 2009 session and to understand the following interfaces Menu bar toolbar Menu bar menu Drop down menus Context toolbars Consolidated drop down toolbars System feedback icons Confirmation Corner Heads up View toolbar Document Properties and more Apply Document Properties to reflect the ASME Y14 Engineering Drawing and related Drawing Practices Import an AutoCAD file as a Sheet format Insert SolidWorks System Properties and Custom Properties Create new SolidWorks Document tabs Create multi sheet drawings from various part configurations and develop the following drawing views Standard Isometric Auxiliary Section Broken Section Detail Half Section Cut away Crop Projected Back with a Bill of Materials and a Revision Table and Revisions Insert and edit Dimensions Feature Control Frames Datums Geometric Tolerancing Surface Finishes and Weld Symbols using DimXpert and manual techniques Create apply and save Blocks and Parametric Notes in a drawing Project 7 provides a bonus section on the Certified SolidWorks Associate CSWA program with sample exam questions and initial and final SolidWorks models

Engineering Design and Graphics with SolidWorks 2023 Jim Bethune, Nathan Brown, 2023-03-03 Engineering Design and Graphics with SolidWorks 2023 In Engineering Design and Graphics with SolidWorks 2023 award winning CAD instructor and author James Bethune shows students how to use SolidWorks to create engineering drawings and designs The textbook has been updated to cover the new features in SolidWorks 2023 It focuses on the creation of engineering drawings including dimensions and tolerances and the use of standard parts and tools Each chapter contains

step by step sample problems that show students how to apply the concepts presented in the chapter Effective pedagogy throughout the text helps students learn and retain concepts Objectives Each chapter begins with objectives and an introduction to the material Summaries Each chapter concludes with a summary and exercise problems Numerous Illustrations The multitude of illustrations accompanied by explanatory captions present a visual approach to learning Students see in the text what they see on the screen with the addition of explanatory text Practical Application The text provides hundreds of exercise projects of varying difficulty far more than any other computer graphics text These exercises reinforce each chapter s content and help students learn by doing Flexibility With the hundreds of problems presented in the book instructors can assign different problems within the same class and from year to year without repeating problems for students Meets Standards The text teaches ANSI standards for dimensions and tolerances This helps students understand how their designs are defined for production and the importance of proper tolerancing Step by Step Approach In presenting the fundamentals of engineering drawing using SolidWorks the text uses a step by step approach that allows students to work and learn at their own pace

Engineering Design and Graphics with SolidWorks James D. Bethune,2011-11-21 This is the eBook of the printed book and may not include any media website access codes or print supplements that may come packaged with the bound book Engineering Design and Graphics with SolidWorks shows students how to use SolidWorks to create engineering drawings and designs The book focuses on the creation of engineering drawings including dimensions and tolerances and the use of standard parts and tools Each chapter contains step by step sample problems that show students how to apply the concepts presented in the chapter This book teaches users how to Set up drawings and use the SolidWorks Sketch tools to create 2D drawings that can be extruded into solid 3D models Use the Feature tools to create and modify 3D solid models Create views using third angle projection Fashion assembly drawings using the Mate tool Produce and design with threads and fasteners both ANSI inch and ANSI metric threads are covered Use the Design Library to create bearing drawings Draw cams and springs add hubs and keyways to cams and insert the cams into assembly drawings

SOLIDWORKS 2019 Tutorial David Planchard,2018-12-21 SOLIDWORKS 2019 Tutorial is written to assist students designers engineers and professionals who are new to SOLIDWORKS The text provides a step by step project based learning approach It also contains information and examples on the five categories in the CSWA exam The book is divided into four sections Chapters 1 5 explore the SOLIDWORKS User Interface and CommandManager Document and System properties simple and complex parts and assemblies proper design intent design tables configurations multi sheet multi view drawings BOMs and Revision tables using basic and advanced features In chapter 6 you will create the final robot assembly The physical components and corresponding Science Technology Engineering and Math STEM curriculum are available from Gears Educational Systems All assemblies and components for the final robot assembly are provided Chapters 7 10 prepare you for the Certified Associate Mechanical Design CSWA exam The certification indicates a foundation in and apprentice

knowledge of 3D CAD and engineering practices and principles Chapter 11 covers the benefits of additive manufacturing 3D printing how it differs from subtractive manufacturing and its features You will also learn the terms and technology used in low cost 3D printers Follow the step by step instructions and develop multiple assemblies that combine over 100 extruded machined parts and components Formulate the skills to create modify and edit sketches and solid features Learn the techniques to reuse features parts and assemblies through symmetry patterns copied components apply proper design intent design tables and configurations Learn by doing not just by reading Desired outcomes and usage competencies are listed for each chapter Know your objective up front Follow the steps in each chapter to achieve your design goals Work between multiple documents features commands custom properties and document properties that represent how engineers and designers utilize SOLIDWORKS in industry

Drawing and Detailing with SolidWorks 2014 David Planchard,2014 Drawing and Detailing with SolidWorks 2014 is written to educate and assist students designers engineers and professionals in the drawing and detailing tools of SolidWorks Explore the learning process through a series of design situations industry scenarios projects and objectives target towards the beginning to intermediate SolidWorks user Work through numerous activities to create multiple view multiple sheet detailed drawings and assembly drawings Develop Drawing templates Sheet formats and Custom Properties Construct drawings that incorporate part configurations assembly configurations and design tables with equations Manipulate annotations in parts drawings assemblies Revision tables Bills of Materials and more Apply your drawing and detailing knowledge to over thirty exercises The exercises test your usage competency as well as explore additional topics with industry examples Advanced exercises require the ability to create parts and assemblies

Drawing and Detailing with SolidWorks 2007 David C. Planchard,Marie P. Planchard,2007 Drawing and Detailing with SolidWorks 2007 is written to educate and assist students designers engineers and professionals in the following areas A solid foundation using SolidWorks Drawing Options and SolidWorks Detailing Options Applying Engineering drawing standards and practices using SolidWorks tools Building multiple part and assembly configurations that interact with drawings Bill of Materials and Design Tables A comprehensive understanding of the differences between Drawing Templates and Sheet Formats Increase SolidWorks functionality to create view types with various configurations Combine a series of SolidWorks tools to solve a specific problem using Custom Properties and SolidWorks Properties The book utilizes a competency based approach on five projects Real world parts projects and tasks are addressed Commands are presented in a step by step progressive approach The learning process is explored through a series of design situations industry scenarios projects and objectives

Table of Contents Introduction 1 Drawing Template and Sheet Format 2 Drawing View 3 Fundamentals of Detailing 4 Assembly Drawing 5 Applied Geometric Tolerancing and Other Symbols Appendix Index

Design Workbook Using SOLIDWORKS 2023 Ronald E. Barr,Davor Juricic,Thomas J. Krueger,Alejandro Reyes,2023-02-27 An exercise based workbook using step by step tutorials teaches you to use SOLIDWORKS 2023 Designed for use in undergraduate engineering and pre college courses

Covers modeling finite element analysis assembly modeling kinematic simulation rapid prototyping and projecting engineering drawings Incorporates the principles of engineering graphics into lessons Revised and refreshed for SOLIDWORKS 2023 Design Workbook Using SOLIDWORKS 2023 is an exercise based book that guides you through a series of easy to understand step by step tutorials that cover basic SOLIDWORKS commands The 2023 edition includes updated SOLIDWORKS processes and methods to create models more efficiently than ever before The intended audience is undergraduate engineering majors but it can also be used in pre college engineering courses The engaging and straightforward lab exercises in this workbook are also ideal for self learners The text takes an educational approach where you learn through repetition starting with simple models and introducing more complex models and commands as the book progresses leading you to create assemblies make Finite Element Analyses detail manufacturing drawings complete dynamic simulations and learn the basics of rapid prototyping The principles of engineering graphics are also incorporated into the lessons throughout the text The commands and functions learned throughout this book will help a new user understand their use how to apply them in different situations and design ever more complex components

Mastering Modern CAD Drawings with SOLIDWORKS 2026 Lani Tran, Comprehensive guide to creating CAD drawings using SOLIDWORKS Covers a wide range of part types and technical drawing topics Emphasizes the importance of ASME standards and best practices Extensively covers geometric dimensioning and tolerancing in technical drawing Demonstrates assembly drawings custom properties and configurations Describes Model Based Definition and how to collaborate with others on projects Features a chapter on the Certified SOLIDWORKS Professional Drawing Tools exam We thrive as learners when we actively practice the skills we want to master and this is especially true for learning computer aided design Mastering Modern CAD Drawings with SOLIDWORKS 2026 provides new and more experienced users with the perfect blend of preparation and plenty of practice to build their skills Clearly explained theory and techniques help you create 2D drawings and engineering graphics for a variety of parts meaning you will never have to ask why you are completing a step Designed as an efficient tool for busy visually oriented learners this book offers excellent technical detail and motivating real world examples focusing on the latest standards materials industries and production processes Because of its popularity there is a high demand for those with SOLIDWORKS skills In Mastering Modern CAD Drawings with SOLIDWORKS 2026 you create the types of SOLIDWORKS projects that students designers engineers and other manufacturing professionals routinely encounter The diverse assortment of parts covered including machined plastic injection molding casted and sheet metal will pique every learner s interest The drawing exercises give you room to remember and apply your new found skills at your own pace Topics important to technical drawing are included such as customizing the Bill of Materials using the Custom Properties creating Tabulated Tables in MS Excel Model Based Definition MBD and one of the most used standards in CAD ASME ANSI GD T Geometric Dimensioning and Tolerancing This thoughtfully written and organized book gives you a balanced view of

computer aided drafting that you won't get with other SOLIDWORKS books. Why this book *Mastering Modern CAD Drawings with SOLIDWORKS 2026* stands out from other books because the author's unembellished and effective writing style unravels the complexities of CAD drawing and design providing a gateway to mastering drafting in general and with SOLIDWORKS. Chapter one provides a first rate overview of technical drawing and SOLIDWORKS. Chapter three describes GD T so any learner will understand it including a section of fully defined terms. Solid descriptions of CAD topics ease new users into each chapter while reacquainting more seasoned users with important information. *Mastering Modern CAD Drawings with SOLIDWORKS 2026* makes it easy to explore and understand technical drawing with SOLIDWORKS. Readers would do well to keep this text for future reference. It is a must have for any student, team, company or school to research drawing standards whenever needed.

Table of Contents
1 Introduction to CAD Drawings
2 Detailing a Machined Part
3 Understanding Tolerance Precision and GD T
4 Tolerance Precision and GD T in SOLIDWORKS
5 Detailing Plastic Parts
6 Detailing Sheet Metal Parts
7 Detailing Castings and Forgings
8 Assembly Drawings
9 Custom Properties
10 Configurations and Design
11 Additional Drawing Tools
12 SOLIDWORKS Model Based Definition
13 CSWP DT Exam Preparation
Glossary
Index

[Design Workbook Using SOLIDWORKS 2022](#) Alejandro Reyes, Ronald Barr, Davor Juricic, Thomas Krueger, 2022-03 Revised and refreshed for SOLIDWORKS 2022. *Design Workbook Using SOLIDWORKS 2022* is an exercise based book that guides you through a series of easy to understand step by step tutorials that cover basic SOLIDWORKS commands. The 2022 edition includes updated SOLIDWORKS processes and methods to create models more efficiently than ever before. The intended audience is undergraduate engineering majors but it can also be used in pre college engineering courses. The engaging and straightforward lab exercises in this workbook are also ideal for self learners. The text takes an educational approach where you learn through repetition starting with simple models and introducing more complex models and commands as the book progresses leading you to create assemblies, make Finite Element Analyses, detail manufacturing drawings, complete dynamic simulations and learn the basics of rapid prototyping. The principles of engineering graphics are also incorporated into the lessons throughout the text. The commands and functions learned throughout this book will help a new user understand their use, how to apply them in different situations and design ever more complex components.

Mastering Modern CAD Drawings with SOLIDWORKS 2025 Lani Tran, Comprehensive guide to creating CAD drawings using SOLIDWORKS. Covers a wide range of part types and technical drawing topics. Emphasizes the importance of ASME standards and best practices. Extensively covers geometric dimensioning and tolerancing in technical drawing. Demonstrates assembly drawings, custom properties and configurations. Describes Model Based Definition and how to collaborate with others on projects. This edition features a new chapter on the Certified SOLIDWORKS Professional Advanced Drawing Tools exam. We thrive as learners when we actively practice the skills we want to master and this is especially true for learning computer aided design. *Mastering Modern CAD Drawings with SOLIDWORKS 2025* provides new and more

experienced users with the perfect blend of preparation and plenty of practice to build their skills. Clearly explained theory and techniques help you create 2D drawings and engineering graphics for a variety of parts meaning you will never have to ask why you are completing a step. Designed as an efficient tool for busy visually oriented learners, this book offers excellent technical detail and motivating real world examples focusing on the latest standards, materials, industries, and production processes. Because of its popularity, there is a high demand for those with SOLIDWORKS skills. In *Mastering Modern CAD Drawings with SOLIDWORKS 2025*, you create the types of SOLIDWORKS projects that students, designers, engineers, and other manufacturing professionals routinely encounter. The diverse assortment of parts covered, including machined plastic, injection molding, casted, and sheet metal, will pique every learner's interest. The drawing exercises give you room to remember and apply your new found skills at your own pace. Topics important to technical drawing are included, such as customizing the Bill of Materials, using the Custom Properties, creating Tabulated Tables in MS Excel, Model Based Definition (MBD), and one of the most used standards in CAD, ASME ANSI GD T Geometric Dimensioning and Tolerancing. This thoughtfully written and organized book gives you a balanced view of computer aided drafting that you won't get with other SOLIDWORKS books. Why this book, *Mastering Modern CAD Drawings with SOLIDWORKS 2025*, stands out from other books, because the author's unembellished and effective writing style unravels the complexities of CAD drawing and design, providing a gateway to mastering drafting in general and with SOLIDWORKS. Chapter one provides a first rate overview of technical drawing and SOLIDWORKS. Chapter three describes GD T so any learner will understand it, including a section of fully defined terms. Solid descriptions of CAD topics ease new users into each chapter while reacquainting more seasoned users with important information. *Mastering Modern CAD Drawings with SOLIDWORKS 2025* makes it easy to explore and understand technical drawing with SOLIDWORKS. Readers would do well to keep this text for future reference. It is a must have for any student, team, company, or school to research drawing standards whenever needed.

Project Based

SOLIDWORKS 2021 Kirstie Plantenberg, 2021-02. Project Based SOLIDWORKS is specifically designed to complement an engineering graphics course. It covers how to apply engineering graphics concepts such as part prints, section views, assembly drawings, tolerancing, and fasteners. It also extends these topics into the world of design. Project Based SOLIDWORKS takes a specific part or assembly and teaches you how to model each part and its configurations, create part prints, including assembly drawings if appropriate, and takes it one step further and teaches concepts such as FEA, tolerancing, and parametric design. This book comes with instructional videos showing you how to perform each of the tutorials. It also comes with instructional videos showing how to complete each problem in the book. The exception to this is when a problem is open ended and each student will get different results. After completing all the tutorials in this book, you will be able to design moderately difficult parts and assemblies in a realistic manner. This book is perfect for a freshman design class that wishes to include realistic design problems within their curriculum. Structure: Project Based SOLIDWORKS is arranged in projects. For

example Chapter two deals with the modeling of a Connecting Rod Chapter three continues with the connecting rod to introduce the concept of configurations Chapter four creates a part print of the connecting rod and Chapter five wraps up the project by performing a static FEA on the connecting rod At the beginning of each chapter a list of prerequisite tutorials or knowledge is listed You do not necessarily need to complete the tutorials within the book in order but make sure that you have the prerequisite knowledge before you begin Topics covered The following topics are covered in this book Part modeling Part configurations Assembly Static FEA Part Prints Assembly drawings Fasteners Tolerancing Parametric Modeling 3D sketches Videos Project Based SOLIDWORKS comes with over ten hours of video instruction These videos follow along with the book and complement the text perfectly Videos for each tutorial and problem in the book are provided Additional videos on specific difficult topics are also included Captioned versions of these videos are also available for customers who want or need video captions Project Based SOLIDWORKS 2020 Kirstie Plantenberg,2020-02 Project Based SOLIDWORKS is specifically designed to complement an engineering graphics course It covers how to apply engineering graphics concepts such as part prints section views assembly drawings tolerancing and fasteners It also extends these topics into the world of design Project Based SOLIDWORKS takes a specific part or assembly and teaches you how to model each part and its configurations create part prints including assembly drawings if appropriate and takes it one step further and teaches concepts such as FEA tolerancing and parametric design This book comes with instructional videos showing you how to perform each of the tutorials It also comes with instructional videos showing how to complete each problem in the book The exception to this is when a problem is open ended and each student will get different results After completing all the tutorials in this book you will be able to design moderately difficult parts and assemblies in a realistic manner This book is perfect for a freshman design class that wishes to include realistic design problems within their curriculum Structure Project Based SOLIDWORKS is arranged in projects For example Chapter two deals with the modeling of a Connecting Rod Chapter three continues with the connecting rod to introduce the concept of configurations Chapter four creates a part print of the connecting rod and Chapter five wraps up the project by performing a static FEA on the connecting rod At the beginning of each chapter a list of prerequisite tutorials or knowledge is listed You do not necessarily need to complete the tutorials within the book in order but make sure that you have the prerequisite knowledge before you begin **Design Workbook Using SOLIDWORKS 2026** Alejandro Reyes,Ronald E. Barr,Davor Juricic,Thomas J. Krueger, An exercise based workbook using step by step tutorials teaches you to use SOLIDWORKS 2026 Designed for use in undergraduate engineering and pre college courses Covers modeling finite element analysis assembly modeling kinematic simulation rapid prototyping and projecting engineering drawings Incorporates the principles of engineering graphics into lessons Includes access to video instruction Design Workbook Using SOLIDWORKS 2026 is an exercise based book that guides you through a series of easy to understand step by step tutorials that cover basic SOLIDWORKS commands The 2026

edition includes updated SOLIDWORKS processes and methods to create models more efficiently than ever before The intended audience is undergraduate engineering majors but it can also be used in pre college engineering courses The engaging and straightforward lab exercises in this workbook are also ideal for self learners The text takes an educational approach where you learn through repetition starting with simple models and introducing more complex models and commands as the book progresses leading you to create assemblies make Finite Element Analyses detail manufacturing drawings complete dynamic simulations and learn the basics of rapid prototyping The principles of engineering graphics are also incorporated into the lessons throughout the text The commands and functions learned throughout this book will help a new user understand their use how to apply them in different situations and design ever more complex components Includes Video Instruction Each copy of this book includes access to video instruction In these videos the author provides a clear presentation of tutorials found in the book The videos reinforce the steps described in the book by allowing you to watch the exact steps the author uses to complete the exercises while he provides additional details along the way Table of Contents Design Workbook Labs 1 Basic 2D Sketching 2 Advanced 2D Sketching 3 3D Modeling Part I 4 3D Modeling Part II 5 Assembly Modeling 6 Part Evaluation and Configurations 7 Static Stress and Thermal Analysis 8 Animation Detailing and Rapid Prototyping 9 Section Views in 2D and 3D 10 Manufacturing Detail Drawings Appendix A Drawing Sheet Template

Design Workbook Using SOLIDWORKS 2021 Ronald E. Barr ,Davor Juricic,Thomas Krueger,Alejandro Reyes,2021-03 Revised and refreshed for SOLIDWORKS 2021 Design Workbook Using SOLIDWORKS 2021 is an exercise based book that guides you through a series of easy to understand step by step tutorials that cover basic SOLIDWORKS commands The 2021 edition includes updated SOLIDWORKS processes and methods to create models more efficiently than ever before The intended audience is undergraduate engineering majors but it can also be used in pre college engineering courses The engaging and straightforward lab exercises in this workbook are also ideal for self learners The text takes an educational approach where you learn through repetition starting with simple models and introducing more complex models and commands as the book progresses leading you to create assemblies make Finite Element Analyses detail manufacturing drawings complete dynamic simulations and learn the basics of rapid prototyping The principles of engineering graphics are also incorporated into the lessons throughout the text The commands and functions learned throughout this book will help a new user understand their use how to apply them in different situations and design ever more complex components

SOLIDWORKS 2024: A Power Guide for Beginners and Intermediate Users Sandeep Dogra, SOLIDWORKS 2024 A Power Guide for Beginners and Intermediate Users textbook is designed for both instructor led courses and self paced learning It is intended to help engineers and designers interested in learning SOLIDWORKS for creating 3D mechanical designs This is a valuable resource for new SOLIDWORKS users and a great teaching tool for classroom training With 14 chapters and a total of 780 pages the content extensively covers key SOLIDWORKS environments such as Sketching Part

Modeling Assembly and Drawing This textbook teaches users to use SOLIDWORKS mechanical design software for creating parametric 3D solid components assemblies and 2D drawings Additionally a dedicated chapter is included to guide users in creating multiple configurations of a design This textbook not only focuses on the usage of the tools and commands of SOLIDWORKS but also the concept of design Every chapter in this textbook contains tutorials that provide users with step by step instructions for creating mechanical designs and drawings with ease Additionally every chapter ends with practical hands on test drives that allow users to experience the user friendly and powerful technical capabilities of SOLIDWORKS

SOLIDWORKS 2020 Tutorial David Planchard,2019-12 Uses step by step project based tutorials designed for beginning or intermediate users Will prepare you for the Certified SOLIDWORKS Associate Exam Includes a chapter introducing you to 3D printing SOLIDWORKS 2020 Tutorial is written to assist students designers engineers and professionals who are new to SOLIDWORKS The text provides a step by step project based learning approach It also contains information and examples on the five categories in the CSWA exam The book is divided into four sections Chapters 1 5 explore the SOLIDWORKS User Interface and CommandManager Document and System properties simple and complex parts and assemblies proper design intent design tables configurations multi sheet multi view drawings BOMs and Revision tables using basic and advanced features In chapter 6 you will create the final robot assembly The physical components and corresponding Science Technology Engineering and Math STEM curriculum are available from Gears Educational Systems All assemblies and components for the final robot assembly are provided Chapters 7 10 prepare you for the Certified Associate Mechanical Design CSWA exam The certification indicates a foundation in and apprentice knowledge of 3D CAD and engineering practices and principles Chapter 11 covers the benefits of additive manufacturing 3D printing how it differs from subtractive manufacturing and its features You will also learn the terms and technology used in low cost 3D printers Follow the step by step instructions and develop multiple assemblies that combine over 100 extruded machined parts and components Formulate the skills to create modify and edit sketches and solid features Learn the techniques to reuse features parts and assemblies through symmetry patterns copied components apply proper design intent design tables and configurations Learn by doing not just by reading Desired outcomes and usage competencies are listed for each chapter Know your objective up front Follow the steps in each chapter to achieve your design goals Work between multiple documents features commands custom properties and document properties that represent how engineers and designers utilize SOLIDWORKS in industry

Drawing and Detailing with SolidWorks David C. Planchard,Marie P. Planchard,2002

This is likewise one of the factors by obtaining the soft documents of this **Drawing Section View Solidworks Savoi** by online. You might not require more get older to spend to go to the books introduction as competently as search for them. In some cases, you likewise get not discover the message Drawing Section View Solidworks Savoi that you are looking for. It will entirely squander the time.

However below, bearing in mind you visit this web page, it will be consequently totally simple to get as well as download guide Drawing Section View Solidworks Savoi

It will not allow many mature as we tell before. You can reach it though pretend something else at home and even in your workplace. in view of that easy! So, are you question? Just exercise just what we meet the expense of below as with ease as evaluation **Drawing Section View Solidworks Savoi** what you when to read!

<https://py.bijouxmedusa.com/About/book-search/fetch.php/Ford%205%2001%20Trouble%20Shooting%20Instructions%20Check%20Engine%20Light.pdf>

Table of Contents Drawing Section View Solidworks Savoi

1. Understanding the eBook Drawing Section View Solidworks Savoi
 - The Rise of Digital Reading Drawing Section View Solidworks Savoi
 - Advantages of eBooks Over Traditional Books
2. Identifying Drawing Section View Solidworks Savoi
 - Exploring Different Genres
 - Considering Fiction vs. Non-Fiction
 - Determining Your Reading Goals
3. Choosing the Right eBook Platform
 - Popular eBook Platforms
 - Features to Look for in an Drawing Section View Solidworks Savoi
 - User-Friendly Interface

4. Exploring eBook Recommendations from Drawing Section View Solidworks Savoi
 - Personalized Recommendations
 - Drawing Section View Solidworks Savoi User Reviews and Ratings
 - Drawing Section View Solidworks Savoi and Bestseller Lists
5. Accessing Drawing Section View Solidworks Savoi Free and Paid eBooks
 - Drawing Section View Solidworks Savoi Public Domain eBooks
 - Drawing Section View Solidworks Savoi eBook Subscription Services
 - Drawing Section View Solidworks Savoi Budget-Friendly Options
6. Navigating Drawing Section View Solidworks Savoi eBook Formats
 - ePub, PDF, MOBI, and More
 - Drawing Section View Solidworks Savoi Compatibility with Devices
 - Drawing Section View Solidworks Savoi Enhanced eBook Features
7. Enhancing Your Reading Experience
 - Adjustable Fonts and Text Sizes of Drawing Section View Solidworks Savoi
 - Highlighting and Note-Taking Drawing Section View Solidworks Savoi
 - Interactive Elements Drawing Section View Solidworks Savoi
8. Staying Engaged with Drawing Section View Solidworks Savoi
 - Joining Online Reading Communities
 - Participating in Virtual Book Clubs
 - Following Authors and Publishers Drawing Section View Solidworks Savoi
9. Balancing eBooks and Physical Books Drawing Section View Solidworks Savoi
 - Benefits of a Digital Library
 - Creating a Diverse Reading Collection Drawing Section View Solidworks Savoi
10. Overcoming Reading Challenges
 - Dealing with Digital Eye Strain
 - Minimizing Distractions
 - Managing Screen Time
11. Cultivating a Reading Routine Drawing Section View Solidworks Savoi
 - Setting Reading Goals Drawing Section View Solidworks Savoi
 - Carving Out Dedicated Reading Time

12. Sourcing Reliable Information of Drawing Section View Solidworks Savoi
 - Fact-Checking eBook Content of Drawing Section View Solidworks Savoi
 - Distinguishing Credible Sources
13. Promoting Lifelong Learning
 - Utilizing eBooks for Skill Development
 - Exploring Educational eBooks
14. Embracing eBook Trends
 - Integration of Multimedia Elements
 - Interactive and Gamified eBooks

Drawing Section View Solidworks Savoi Introduction

Drawing Section View Solidworks Savoi Offers over 60,000 free eBooks, including many classics that are in the public domain. Open Library: Provides access to over 1 million free eBooks, including classic literature and contemporary works. Drawing Section View Solidworks Savoi Offers a vast collection of books, some of which are available for free as PDF downloads, particularly older books in the public domain. Drawing Section View Solidworks Savoi : This website hosts a vast collection of scientific articles, books, and textbooks. While it operates in a legal gray area due to copyright issues, its a popular resource for finding various publications. Internet Archive for Drawing Section View Solidworks Savoi : Has an extensive collection of digital content, including books, articles, videos, and more. It has a massive library of free downloadable books. Free-eBooks Drawing Section View Solidworks Savoi Offers a diverse range of free eBooks across various genres. Drawing Section View Solidworks Savoi Focuses mainly on educational books, textbooks, and business books. It offers free PDF downloads for educational purposes. Drawing Section View Solidworks Savoi Provides a large selection of free eBooks in different genres, which are available for download in various formats, including PDF. Finding specific Drawing Section View Solidworks Savoi, especially related to Drawing Section View Solidworks Savoi, might be challenging as theyre often artistic creations rather than practical blueprints. However, you can explore the following steps to search for or create your own Online Searches: Look for websites, forums, or blogs dedicated to Drawing Section View Solidworks Savoi, Sometimes enthusiasts share their designs or concepts in PDF format. Books and Magazines Some Drawing Section View Solidworks Savoi books or magazines might include. Look for these in online stores or libraries. Remember that while Drawing Section View Solidworks Savoi, sharing copyrighted material without permission is not legal. Always ensure youre either creating your own or obtaining them from legitimate sources that allow sharing and downloading. Library Check if your local library offers eBook lending services. Many libraries have digital catalogs where you can borrow Drawing Section

View Solidworks Savoi eBooks for free, including popular titles. Online Retailers: Websites like Amazon, Google Books, or Apple Books often sell eBooks. Sometimes, authors or publishers offer promotions or free periods for certain books. Authors Website Occasionally, authors provide excerpts or short stories for free on their websites. While this might not be the Drawing Section View Solidworks Savoi full book, it can give you a taste of the authors writing style. Subscription Services Platforms like Kindle Unlimited or Scribd offer subscription-based access to a wide range of Drawing Section View Solidworks Savoi eBooks, including some popular titles.

FAQs About Drawing Section View Solidworks Savoi Books

1. Where can I buy Drawing Section View Solidworks Savoi books? Bookstores: Physical bookstores like Barnes & Noble, Waterstones, and independent local stores. Online Retailers: Amazon, Book Depository, and various online bookstores offer a wide range of books in physical and digital formats.
2. What are the different book formats available? Hardcover: Sturdy and durable, usually more expensive. Paperback: Cheaper, lighter, and more portable than hardcovers. E-books: Digital books available for e-readers like Kindle or software like Apple Books, Kindle, and Google Play Books.
3. How do I choose a Drawing Section View Solidworks Savoi book to read? Genres: Consider the genre you enjoy (fiction, non-fiction, mystery, sci-fi, etc.). Recommendations: Ask friends, join book clubs, or explore online reviews and recommendations. Author: If you like a particular author, you might enjoy more of their work.
4. How do I take care of Drawing Section View Solidworks Savoi books? Storage: Keep them away from direct sunlight and in a dry environment. Handling: Avoid folding pages, use bookmarks, and handle them with clean hands. Cleaning: Gently dust the covers and pages occasionally.
5. Can I borrow books without buying them? Public Libraries: Local libraries offer a wide range of books for borrowing. Book Swaps: Community book exchanges or online platforms where people exchange books.
6. How can I track my reading progress or manage my book collection? Book Tracking Apps: Goodreads, LibraryThing, and Book Catalogue are popular apps for tracking your reading progress and managing book collections. Spreadsheets: You can create your own spreadsheet to track books read, ratings, and other details.
7. What are Drawing Section View Solidworks Savoi audiobooks, and where can I find them? Audiobooks: Audio recordings of books, perfect for listening while commuting or multitasking. Platforms: Audible, LibriVox, and Google Play Books offer a wide selection of audiobooks.

8. How do I support authors or the book industry? Buy Books: Purchase books from authors or independent bookstores. Reviews: Leave reviews on platforms like Goodreads or Amazon. Promotion: Share your favorite books on social media or recommend them to friends.
9. Are there book clubs or reading communities I can join? Local Clubs: Check for local book clubs in libraries or community centers. Online Communities: Platforms like Goodreads have virtual book clubs and discussion groups.
10. Can I read Drawing Section View Solidworks Savoi books for free? Public Domain Books: Many classic books are available for free as they're in the public domain. Free E-books: Some websites offer free e-books legally, like Project Gutenberg or Open Library.

Find Drawing Section View Solidworks Savoi :

[ford 5 0l trouble shooting instructions check engine light](#)

[financial accounting exercises and solutions pdf](#)

[focus on personal finance 4th edition dlabay](#)

[fizica clasa a 9 a problema rezolvata 20 formule](#)

first aid for the anesthesiology boards first aid specialty boards

[food analysis theory and practice](#)

~~forensic investigation of explosions second edition international forensic science and investigation~~

~~forex guide for new~~

far cry 4 strategy guide game walkthrough cheats tips tricks and more

fluid power engineering khurmi

[fiat iveco 8060 engine repair manual](#)

~~flat rate manual for motorcycles~~

~~ford power stroke diesel engine~~

[ford powertrain control emissions diagnosis pc ed](#)

~~flowsolve mark one valve manual~~

Drawing Section View Solidworks Savoi :

[materialien zur beschreibenden statistik und expl](#) - Aug 17 2023

web zu geben ihre bereits erworbenen statistik kenntnisse intensiv zu nutzen und zu vertiefen dazu dienen die zahlreichen

praxisorientierten Übungsaufgaben zur beschreibenden statistik wahrscheinlichkeitsrechnung und schließenden statistik der autor zeigt die lösungen zu den aufgaben ausführlich schritt für schritt auf

[materialien zur beschreibenden statistik und expl copy web mei](#) - Jun 03 2022

web comprehending as competently as bargain even more than additional will have the funds for each success adjacent to the declaration as capably as sharpness of this materialien zur beschreibenden statistik und expl can be taken as with ease as picked to act werkstoffkunde der zahntechnischen materialien band 1 statistik Übungen

[materialien zur beschreibenden statistik und expl pdf](#) - Oct 07 2022

web materialien zur beschreibenden statistik und expl handbuch der oesterreichischen statistik vom jahre 1830 mit 125 karten und tabellen statistik und forschungsmethoden verkaufsprozess mittelständischer unternehmen statistik statistik 1 beschreibende statistik neue materialien für einen realitätsbezogenen mathematikunterricht 3

deskriptive statistik mathebibel - Sep 06 2022

web deskriptive statistik einfach erklärt aufgaben mit lösungen zusammenfassung als pdf jetzt kostenlos inzwischen wird meine mehrfach prämierte mathe lernplattform jeden monat von bis zu 1 million schülern studenten eltern und lehrern aufgerufen seit 2019 gibt es meine erklärungen auch als ebooks stochastik top 10 10 platz

[materialien zur beschreibenden statistik und expl pdf](#) - Feb 11 2023

web oct 8 2023 materialien zur beschreibenden statistik und expl 1 10 downloaded from uniport edu ng on october 8 2023 by guest materialien zur beschreibenden statistik und expl as recognized adventure as skillfully as experience just about lesson amusement as well as conformity can be

materialien zur beschreibenden statistik und expl pdf - Jul 16 2023

web materialien zur beschreibenden statistik und expl mathematikunterricht in der sekundarstufe ii statistics for empowerment and social engagement werkstoffkunde der zahntechnischen materialien band 1 die explorative datenanalyse statistik im matheunterricht einführen neue materialien für einen realitätsbezogenen

materialien zur beschreibenden statistik und expl 2022 wef tamu - Mar 12 2023

web recognizing the way ways to get this book materialien zur beschreibenden statistik und expl is additionally useful you have remained in right site to begin getting this info get the materialien zur beschreibenden statistik und expl connect that we allow here and check out the link you could buy guide materialien zur beschreibenden statistik

[materialien zur beschreibenden statistik und expl](#) - Oct 19 2023

web materialien zur beschreibenden statistik und expl statistik jun 01 2022 knapp verständlich und effizient präsentiert dieses standardwerk die grundlagen der statistik zum einen ist es als begleitliteratur für das grundstudium ausgerichtet und behandelt die beschreibende statistik die wahrscheinlichkeitsrechnung und die schließende

beschreibende statistik aufgaben und Übungen learnattack - Jun 15 2023

web die beschreibende statistik stellt viele methoden zur analyse großer datenmengen zur verfügung diese datenmengen müssen übersichtlich dargestellt werden oder es müssen werte berechnet werden um sie untereinander zu vergleichen in der schule lernst du die wichtigsten arbeitsweisen hierfür kennen

materialien zur beschreibenden statistik und expl copy - Jul 04 2022

web materialien zur beschreibenden statistik und expl statistik verkaufsprozess mittelständischer unternehmen zeitungsbeiträge als motivierendes und die kritikfähigkeit förderndes element in der beschreibenden statistik dargestellt an der häufigkeitsverteilung und ihrer graphischen darstellung sowie am mittelwert und median

materialien zur beschreibenden statistik und expl - Nov 08 2022

web 4 materialien zur beschreibenden statistik und expl 2020 04 18 wettbetrugs von finanzmathematik über den wärmetod der erde zu genauigkeitsfragen beim kalender und nicht zuletzt zu unterrichtsvorschlägen zum funktionalen denken und zur probabilistischen modellbildung die autorinnen sind erfahrende lehrerinnen und mathematikdidaktikerinne

downloadable free pdfs materialien zur beschreibenden statistik und expl - May 14 2023

web materialien zur beschreibenden statistik und expl Grundlagen der statistik sep 09 2021 leichtverständliche aufgaben und lösungen zur beschreibenden statistik jan 13 2022 fachbuch aus dem jahr 2016 im fachbereich mathematik stochastik hessische hochschule fr polizei und verwaltung ehem

materialien zur beschreibenden statistik und expl - May 02 2022

web beschreibenden statistik und expl is additionally useful you have remained in right site to begin getting this info acquire the materialien zur beschreibenden

vorlagen für statistik arbeitsmaterial - Apr 13 2023

web statistik statistik statistik statistik statistik studienang studienang studienang studienang studienang usw usw usw usw usw usw usw vwl vwl vwl vwl vwl werte bei klassenbildung xi hilfsrechnung zur vc i yi regression n hilfsrechnungen a b mw x mw y reiselust männer

eine statistik verstehen und auswerten kapiert de - Dec 09 2022

web und wozu brauchen wir überhaupt statistiken statistiken verdeutlichen den zusammenhang zwischen unterschiedlichen informationen wie prozentwerten betragen oder mengenangaben es gibt verschiedene arten von statistiken hier lernst du die drei wichtigsten kennen table of figures tabelle pie chart tortendiagramm

materialien zur beschreibenden statistik und expl - Jan 10 2023

web materialien zur beschreibenden statistik und expl library of congress catalogs step by step zur erfolgreichen evaluation statistik 1 beschreibende statistik praxis der mathematik statistik für wirtschaftswissenschaftler elementare stochastik neue

materialien für einen realitätsbezogenen mathematikunterricht 2 materialien zur
materialien zur beschreibenden statistik und expl 2022 db csda - Feb 28 2022

web materialien zur beschreibenden statistik und expl 1 materialien zur beschreibenden statistik und expl datenanalyse in
der sekundarstufe i als fortbildungsthema elementare stochastik step by step zur erfolgreichen evaluation datenanalyse für
sozialwissenschaftler probleme der modernisierung in deutschland

materialien zur beschreibenden statistik und expl wodbydesign - Apr 01 2022

web beschreibenden statistik und expl below materialien zur beschreibenden statistik und expl downloaded from
wodbydesign com by guest silas erickson forschungsmethoden der psychologie und sozialwissenschaften für dummies walter
de gruyter gmbh co kg thomas wassong stellt die qualifizierung von
pdf materialien zur beschreibenden statistik und expl - Sep 18 2023

web materialien zur beschreibenden statistik und expl beschreibende statistik dec 14 2022 dieses einführende lehrbuch zeigt
den gesamten ablauf einer statistischen untersuchung ausgehend von der datenerhebung über die aufbereitung und analyse
der daten bis hin zur interpretation der ergebnisse fundiert auf

materialien zur beschreibenden statistik und expl copy web mei - Aug 05 2022

web 2 materialien zur beschreibenden statistik und expl 2023 07 28 probabilities exploring and modelling association and
with sampling and inference throughout the book a modelling view of the concepts guides the presentation in each chapter
the development of a cluster of fundamental ideas is centred around

accounting grade12 september memo limpopo copy uniport edu - Mar 31 2022

web sep 11 2023 gr9 natural sc english 2020 exemplars question paper physical sciences sept 2020 p1 and memo
studeersnel b v keizersgracht 424 1016 gc

exam papers and study material for grade 10 11 and 12 - Nov 07 2022

web accounting grade 12 past exam papers 2020 september paper 1 and paper 2 download papers below requirements to
pass grade 12 matric download papers below acc

grade 12 preparatory exam and memo september 2019 - Dec 08 2022

web aug 12 2021 business 22420 pre trial exam paper1 accounting grade 12 capricorn south district date 12 august 2021
time 2 hours marks 150 this

limpopo past exam papers and memorandum - Sep 17 2023

web oct 27 2023 accounting exam papers grade 12 past year exam papers updated 2023 10 27 final push 2023 available
under study notes 2023 limpopo march qp

accounting grade 12 controlled test trials exams - Feb 10 2023

web sep 23 2019 graad 8 edwardsmaths toets of opdrag stelling van pythagoras kwartaal 4 2023 grade 12 preparatory exam and memo september 2019 limpopo p2 past

accounting p2 september 2020 stanmorephysics com - Jul 15 2023

web memorandum september 2019 national senior certificate grade 12 marks 300 marking principles penalties for foreign items are applied only if the

grade 11 mathematics math november paper 2 and memo - Dec 28 2021

limpopo physical science grade 11 september 2023 qp and memo - Jan 29 2022

web sep 8 2021 the accounting grade 12 september 2020 past papers and memos study content will help you with your accounting subject revisions tests exams and

accounting grade12 september memo limpopo pdf uniport edu - Feb 27 2022

web nov 13 2023 grade 12 accounting t1 4 like 2 understand noted r 523 25 summaries sa rated 0 out of 5 grade 12 accounting september test and memo 2023 paper 2

accounting grade 12 memorandum nsc exams - May 01 2022

web accounting grade12 september memo limpopo 3 8 downloaded from uniport edu ng on september 8 2023 by guest mentz 2021 05 17 this scholarly book is the third volume in

accounting grade 12 september 2020 term 3 controlled tests - Nov 26 2021

grade 12 accounting memos exam papers 2020 2019 - Apr 12 2023

web accounting title paper 1 english download paper 1 answer book afrikaans download paper 1 answer book english afrikaans sal p1 memo limpopo

limpopo accounting grade 12 pretrial exam paper 2021 qp - Oct 06 2022

web recognizing the way ways to get this ebook accounting memorandum grade 12 september limpopo is additionally useful you have remained in right site to start

accounting grade 12 september 2020 past papers and - May 13 2023

web get all grade 12 accounting memos exam papers 2020 2019 pdf download february march may june september and november the papers are for all

limpopo department of education home - Mar 11 2023

web limpopo department of education home learners parents teachers principals paia section 14 manual report textbook problems about us mission vision

you have downloaded yet another great resource to assist you - Jul 03 2022

web oct 6 2021 accounting grade 12 nsc exams past papers and memos september 2019 preparatory examinations marking principles

25 accounting grade 12 papers and memos with notes my - Jun 02 2022

web apr 13 2023 this accounting grade12 september memo limpopo but end up in infectious downloads rather than reading a good book with a cup of coffee in the

limpopo department of education home - Jan 09 2023

web laden sie die neueste prüfungsaufgabe und lösung für rechnungswesen der 12 klasse im september 2022 herunter diese pdf datei enthält eine detaillierte analyse der

accounting memorandum grade 12 september limpopo pdf - Aug 04 2022

web accounting grade 12 2022 september term 3 controlled test question papers and memos paper 1 and paper 2 find accounting grade 12 paper 1 p1 and paper 2 p2

accounting grade 12 past exam papers and memos - Oct 18 2023

web welcome to the grade 12 accounting past exam paper page here you ll find a comprehensive range of grade 12 past year exam papers and memos ranging from

accounting memorandum september 2019 national - Jun 14 2023

web sep 8 2021 list of accounting grade 12 september 2020 past papers and memos paper 1 accounting gr12 qp sept 2020 english download accounting

accounting exam papers and study material for grade 12 - Aug 16 2023

web september 2020 downloaded from stanmorephysics com grade 12 accounting p2 2 limpopo doe september 2020

accounting grade 12 past exam papers 2020 september - Sep 05 2022

web grade 12 september 2020 accounting p1 financial reporting and evaluation marking guideline marks 150 marking principles 1 unless

sec softball scores sec softball scoreboard and results sec - Jun 05 2022

web softball di home scores bracket rankings stats video history wcws courtesy of stats ncaa org the official website of the ncaa and part of the turner sports

softball score sheet free word templates - May 04 2022

web baseball scorecard printable scorebook page instant download baseball scorebook 222 3 00 4 00 25 off baseball svg gift for baseball coach ornament or car

softball score sheet template in word excel apple - Nov 10 2022

web live scores for every 2022 23 college softball season game on espn includes box scores video highlights play breakdowns and updated odds

13 softball score sheet templates pdf doc - Apr 15 2023

web this softball score card has many spaces on which to record batting and fielding statistics for each inning for both the home and away teams includes lines for a roster and

free generic softball scorecard pdf 41kb 1 page s - Dec 11 2022

web keeping score for your softball league has never been easier with our printable softball score sheet we have provided an easy form for documenting all of your hits runs balls

beginning softball scoring brochure melbourne university sport - Aug 07 2022

web real time sec softball scores on secsports com

college softball scores 2022 23 season espn - Sep 08 2022

web unlimited baseball or softball printable scoresheet to keep score of all your games pay just 1 time and download this scoresheet and then print as many as you need with no

live softball scoreboard keepthescore com - Feb 01 2022

web 12 8 9 10 11 4 5 6 7 game final win loose 1 notes scorer s 2 3 stotals runs hr 3b 2b 1b bb rbi hr 3b 2b 1b bb rbi hr 3b 2b 1b bb rbi hr 3b 2b 1b bb rbi hr 3b

softball score card etsy - Mar 02 2022

web 01 may 2023 last modified 06 july 2023 sport scoring contents the basics of scoring in softball what are innings what are outs understanding a softball scoreboard

free download softball score sheet wondershare - Feb 13 2023

web instantly download softball score sheet template sample example in microsoft word doc microsoft excel xls google docs apple pages google sheets apple

printable softball score sheet - Jul 18 2023

notice and record all he positions that each of the player has taken if any player catches the ball in the air record it with a number 7 to distinguish between a line drive out and a pop see more

softball score sheet free download excel spreadsheet - Oct 09 2022

web the scorebook softball scorebook can take various forms however as a beginner you need only use a basic score sheet as shown below also see the back page for a

k 21 softball scorecard purdue university - Nov 29 2021

[softball scorecard jam group](#) - Oct 29 2021

printable softball scorecards softball score sheet baseball - Jul 06 2022

web download the softball score sheet for free find free blank samples in microsoft word form excel charts spreadsheets and pdf format

how to keep score for a softball game with pictures - Jun 17 2023

spot each strikeout with the note k write the k backward if the batsman takes a called third strike use symbols to save your time and use see more

softball score sheet template download printable pdf - May 16 2023

place a notation in a hitter s box if she drives home a run for example if a player singles home a run write 1b in the middle of the box see more

[softball score sheet template](#) - Mar 14 2023

web softball scorecard whether you are following a major competition as a scorekeeper or you are merely keeping a record of the local game between amateur teams this document

2023 softball score sheet fillable printable pdf - Aug 19 2023

record what is happening in the field in the way in which hitters reach base write 1b for a single 2b for a double 3b for a triple and hr for see more

softball scoreboard ncaa com - Apr 03 2022

web free no download no install start here simple beautiful ready to go create a softball scoreboard in your browser and project it onto a monitor or big screen say goodbye to

13 free sample softball score sheet templates - Sep 20 2023

assign position numbers one to six to the pitcher catcher first second third baseman and shortstop respectively by writing their names on the left side of the sheet assign numbers seven to 10 to the outfielders moving from left field to right alternatively assign seven up to nine to the left center and right see more

how does softball scoring work keepthescore com - Dec 31 2021

web softball scorecard find your sport at jamsports com date time vs field 1 2 3 4 5 6 7 8 9 1 2 3 4 5 6 7 8 9 10 11 12 13 14 15 1 1 1 1

free 10 sample softball score sheet templates in - Jan 12 2023

web free download generic softball scorecard pdf 41kb and customize with our editable templates waivers and forms for your needs

