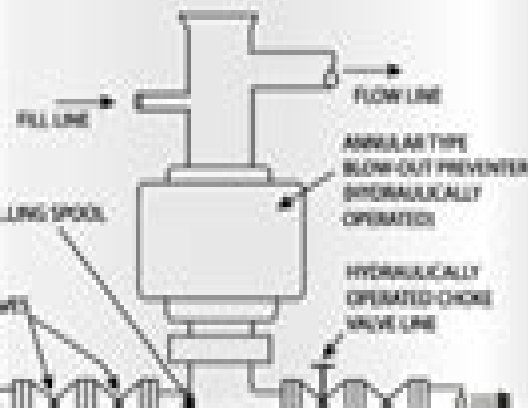


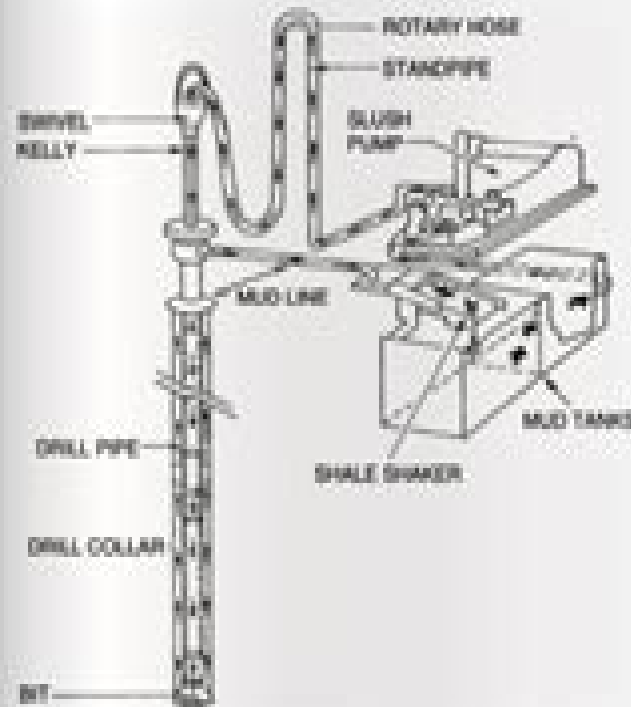
## CLASSIFICATION OF HORIZONTAL WELLS.

Radius type	Buildup rate	Radius
Short radius	60-200° per 100 ft	100-200 ft
Intermediate radius	60-150° per 100 ft	250-350 ft
Long radius	8-30° per 100 ft	500-1000 ft
Very long radius	2-8° per 100 ft	1000-3000 ft

## TYPICAL BLOW-OUT PREVENTER STACK



## DIRECT CIRCULATION MUD SYSTEM



## "CHRISTMAS TREE."



5 1/2	24	5.012	0.0244	0.0051
5 1/2	15.5	4.95	0.0238	0.0056
5 1/2	17	4.892	0.0233	0.0062
		4.78	0.0222	0.0073
		4.67	0.0212	0.0084
		6.049	0.0355	0.0071
		5.921	0.0341	0.0087
		5.791	0.0326	0.0102
		6.456	0.0405	0.0073
		6.366	0.0394	0.0084
		6.276	0.0383	0.0095
		6.184	0.0372	0.0106
		6.094	0.0361	0.0118
		6.004	0.035	0.0127
		6.969	0.0472	0.0096
		6.875	0.0459	0.0108
		6.785	0.0445	0.0123
		6.624	0.0426	0.0142
		6.098	0.0637	0.0086
		7.921	0.061	0.0116
		7.825	0.0595	0.0131
		7.725	0.058	0.0146
		8.921	0.0773	0.0131
		8.825	0.0758	0.0146
		8.725	0.0745	0.0158
		8.661	0.0732	0.0171
		8.535	0.0708	0.0195

# Drilling Calculations Handbook

**Petrogav International Oil & Gas  
Training Center**



## **Drilling Calculations Handbook:**

*Formulas and Calculations for Drilling Operations* James G. Speight, 2018-04-09 Newly revised this is still the must have guide for any drilling production or petroleum engineer with thousands of handy formulas and calculations that the engineer needs on a daily basis Presented in an easy to use format this second edition of *Formulas and Calculations for Drilling Operations* is a quick reference for day to day work out on the rig It also serves as a handy study guide for drilling and well control certification courses Virtually all the mathematics required on a drilling rig is here in one convenient source including formulas for pressure gradient specific gravity pump output annular velocity buoyancy factor and many other topics Whether open on your desk on the hood of your truck at the well or on an offshore platform this is the only book available that covers the gamut of the formulas and calculations for petroleum engineers that have been compiled over decades Some of these formulas and calculations have been used for decades while others are meant to help guide the engineer through some of the more recent breakthroughs in the industry s technology such as hydraulic fracturing and enhanced oil recovery There is no other source for these useful formulas and calculations that is this thorough An instant classic when the first edition was published the much improved revision is even better offering new information not available in the first edition making it as up to date as possible in book form Truly a state of the art masterpiece for the oil and gas industry if there is only one book you buy to help you do your job this is it

**COMPLETE eBook for employment on Drilling Platforms** Petrogav International Oil & Gas Training Center, 2020-07-02 This course covers aspects like HSE Process Mechanical Electrical and Instrumentation Control that will enable you to apply for any position in the Oil and Gas Industry The job interview is probably the most important step you will take in your job search journey Because it s always important to be prepared to respond effectively to the questions that employers typically ask at a job interview Petrogav International has prepared this eBooks that will help you to get a job in oil and gas industry As a BONUS this eBook contains web addresses to 309 video movies for a better understanding of the technological process and 205 web addresses to recruitment companies where you may apply for a job

**Employment on Offshore Drilling Platforms COMPLETE COURSE** Petrogav International Oil & Gas Training Center, 2020-07-02 This course covers aspects like HSE Process Mechanical Electrical and Instrumentation Control that will enable you to apply for any position in the Oil and Gas Industry The job interview is probably the most important step you will take in your job search journey Because it s always important to be prepared to respond effectively to the questions that employers typically ask at a job interview Petrogav International has prepared this eBooks that will help you to get a job in oil and gas industry As a BONUS this eBook contains web addresses to 307 video movies for a better understanding of the technological process and 205 web addresses to recruitment companies where you may apply for a job

**Employment on Offshore Drilling Rigs COMPLETE COURSE** Petrogav International Oil & Gas Training Center, 2020-07-02 This course covers aspects like HSE Process Mechanical Electrical and Instrumentation Control that will

enable you to apply for any position in the Oil and Gas Industry The job interview is probably the most important step you will take in your job search journey Because it s always important to be prepared to respond effectively to the questions that employers typically ask at a job interview Petrogav International has prepared this eBooks that will help you to get a job in oil and gas industry As a BONUS this eBook contains web addresses to 306 video movies for a better understanding of the technological process and 204 web addresses to recruitment companies where you may apply for a job [Formulas and Calculations for Drilling Operations](#) Robello Samuel,2010-10-04 Presented in an easy to use format Formulas and Calculations for Drilling Operations is a quick reference for day to day work out on the rig It also serves as a handy study guide for drilling and well control certification courses Virtually all the mathematics required on a drilling rig is here in one convenient source including formulas for pressure gradient specific gravity pump output annular velocity buoyancy factor and many other topics [Formulas and Calculations for Drilling, Production and Workover](#) Norton J. Lapeyrouse,2002-11-27 Gives all the formulas and calculations likely to be needed in drilling operations Newly updated material includes conversion tables into metric Separate chapters deal with calculations for drilling fluids pressure control and engineering Example calculations are provided throughout Includes formulas for pressure gradient specific gravity pump output annular velocity buoyancy factor volume and stroke slug weight drill string design cementing depth of washout bulk density of cuttings and stuck pipe *How to get a job on Offshore Drilling Platforms* Petrogav International Oil & Gas Training Center,2020-07-02 This course covers aspects like HSE Process Mechanical Electrical and Instrumentation Control that will enable you to apply for any position in the Oil and Gas Industry The job interview is probably the most important step you will take in your job search journey Because it s always important to be prepared to respond effectively to the questions that employers typically ask at a job interview Petrogav International has prepared this eBooks that will help you to get a job in oil and gas industry As a BONUS this eBook contains web addresses to 299 video movies for a better understanding of the technological process and 201 web addresses to recruitment companies where you may apply for a job [Training for job interview Offshore Drilling Rigs](#) Petrogav International Oil & Gas Training Center,2020-06-28 The job interview is probably the most important step you will take in your job search journey Because it s always important to be prepared to respond effectively to the questions that employers typically ask at a job interview Petrogav International has prepared this eBooks that will help you to get a job in oil and gas industry Since these questions are so common hiring managers will expect you to be able to answer them smoothly and without hesitation This eBook contains 271 questions and answers for job interview and as a BONUS 140 links to video movies and web addresses to 195 recruitment companies where you may apply for a job This course covers aspects like HSE Process Mechanical Electrical and Instrumentation Control that will enable you to apply for any position in the Oil and Gas Industry **Job interview questions and answers for employment on Offshore Drilling Platforms** PETROGAV INTERNATIONAL,2020-06-28 The job interview is probably the most important step you will take in your job

search journey Because it s always important to be prepared to respond effectively to the questions that employers typically ask at a job interview Petrogav International has prepared this eBooks that will help you to get a job in oil and gas industry Since these questions are so common hiring managers will expect you to be able to answer them smoothly and without hesitation This eBook contains questions and answer for job interview and as a BONUS links to video movies and web addresses to recruitment companies where you may apply for a job This course covers aspects like HSE Process Mechanical Electrical and Instrumentation Control that will enable you to apply for any position in the Oil and Gas Industry

**Job interview questions and answers for employment on Offshore Drilling Platforms** Petrogav International Oil & Gas Training Center,2020-06-28 The job interview is probably the most important step you will take in your job search journey Because it s always important to be prepared to respond effectively to the questions that employers typically ask at a job interview Petrogav International has prepared this eBooks that will help you to get a job in oil and gas industry Since these questions are so common hiring managers will expect you to be able to answer them smoothly and without hesitation This eBook contains 272 questions and answers for job interview and as a BONUS 289 links to video movies and web addresses to 205 recruitment companies where you may apply for a job This course covers aspects like HSE Process Mechanical Electrical and Instrumentation Control that will enable you to apply for any position in the Oil and Gas Industry

*Guide to the Petroleum Reference Literature* Barbara C. Pearson,Katherine B. Ellwood,1987

**Drilling Engineering Handbook** Ellis H. Austin,1983

**Handbook of Machining and Metalworking Calculations** Ronald A. Walsh,2000-12-22 ESSENTIAL MACHINING AND METALWORKING CALCULATIONS IN THE PALM OF YOUR HAND Solve virtually any problem involving metalworking and machining tools and applications quickly and easily with the help of one convenient hands on resource ready made for your benchtop or workstation It s Ronald A Walsh s Handbook of Machining and Metalworking Calculations and it puts design operations repair and maintenance answers right where you want them close at hand You get Basic to advanced calculation procedures Latest ANSI and ISO specifications Examples of solved problems Calculations for gears sprockets springs screws threads ratchets cams linkages notches flanges holes broaching boring reaming turning pitch torsion tension and more Fit classes and their calculations Easy to use tables charts listings and formulas

**A Guide to Professional Engineering Licensure for Petroleum Engineers and Sample P.E. Exam** ,2004

**Mining Engineers' Handbook** Robert Peele,1927

*Pit and Quarry Handbook of the Nonmetallic Minerals Industries* ,1926

**The Architects' and Builders' Handbook** Frank Eugene Kidder,1921

Handbooks and Tables in Science and Technology Russell Powell,1994-08-15 The bibliography covers physics chemistry engineering mathematics astronomy biology geology agriculture medicine environment energy equations manufacturing materials measurement carcinogens and pesticides

**Machinery's Handbook** ,1962

Drilling Data Handbook 7th Gilles Gabolde,Jean-Paul Nguyen,2006 The seventh edition of the Drilling Data Handbook was published in 1999 We are in a new communication techniques have considerably

evolved The electronic hardware and soft communication anywhere in the world access to huge databases as well as permanent documents required by the drilling personnel At the moment of making a decision about Drilling Data Handbook the question was is it pertinent to do an electronic version on accessible one with a connection to different sites or to keep the popular concept of the people have been using it for decades The Internet gives access to an infinite volume everybody has experimented the trouble of being lost in the way or the difficulty to read information The Drilling Data Handbook does not want to compete with the web sites on other sources of electronic documentation The main goal of our contribution to the drill access very quickly and without any additional resources to the fundamental data at the floor That is the reason why we made the decision to present you this reviewed and up the formula you are familiar with and we hope that it will continue to help you when play well

## The Enigmatic Realm of **Drilling Calculations Handbook**: Unleashing the Language is Inner Magic

In a fast-paced digital era where connections and knowledge intertwine, the enigmatic realm of language reveals its inherent magic. Its capacity to stir emotions, ignite contemplation, and catalyze profound transformations is nothing in short supply of extraordinary. Within the captivating pages of **Drilling Calculations Handbook** a literary masterpiece penned by way of a renowned author, readers set about a transformative journey, unlocking the secrets and untapped potential embedded within each word. In this evaluation, we shall explore the book's core themes, assess its distinct writing style, and delve into its lasting affect the hearts and minds of those that partake in its reading experience.

[https://py.bijouxmedusa.com/files/scholarship/default.aspx/80\\_1777\\_Smart\\_Home\\_Tech\\_Best\\_Practices\\_United\\_States\\_80\\_75\\_6\\_Smart\\_Home.pdf](https://py.bijouxmedusa.com/files/scholarship/default.aspx/80_1777_Smart_Home_Tech_Best_Practices_United_States_80_75_6_Smart_Home.pdf)

### **Table of Contents Drilling Calculations Handbook**

1. Understanding the eBook Drilling Calculations Handbook
  - The Rise of Digital Reading Drilling Calculations Handbook
  - Advantages of eBooks Over Traditional Books
2. Identifying Drilling Calculations Handbook
  - Exploring Different Genres
  - Considering Fiction vs. Non-Fiction
  - Determining Your Reading Goals
3. Choosing the Right eBook Platform
  - Popular eBook Platforms
  - Features to Look for in an Drilling Calculations Handbook
  - User-Friendly Interface
4. Exploring eBook Recommendations from Drilling Calculations Handbook
  - Personalized Recommendations
  - Drilling Calculations Handbook User Reviews and Ratings

- Drilling Calculations Handbook and Bestseller Lists
- 5. Accessing Drilling Calculations Handbook Free and Paid eBooks
  - Drilling Calculations Handbook Public Domain eBooks
  - Drilling Calculations Handbook eBook Subscription Services
  - Drilling Calculations Handbook Budget-Friendly Options
- 6. Navigating Drilling Calculations Handbook eBook Formats
  - ePub, PDF, MOBI, and More
  - Drilling Calculations Handbook Compatibility with Devices
  - Drilling Calculations Handbook Enhanced eBook Features
- 7. Enhancing Your Reading Experience
  - Adjustable Fonts and Text Sizes of Drilling Calculations Handbook
  - Highlighting and Note-Taking Drilling Calculations Handbook
  - Interactive Elements Drilling Calculations Handbook
- 8. Staying Engaged with Drilling Calculations Handbook
  - Joining Online Reading Communities
  - Participating in Virtual Book Clubs
  - Following Authors and Publishers Drilling Calculations Handbook
- 9. Balancing eBooks and Physical Books Drilling Calculations Handbook
  - Benefits of a Digital Library
  - Creating a Diverse Reading Collection Drilling Calculations Handbook
- 10. Overcoming Reading Challenges
  - Dealing with Digital Eye Strain
  - Minimizing Distractions
  - Managing Screen Time
- 11. Cultivating a Reading Routine Drilling Calculations Handbook
  - Setting Reading Goals Drilling Calculations Handbook
  - Carving Out Dedicated Reading Time
- 12. Sourcing Reliable Information of Drilling Calculations Handbook
  - Fact-Checking eBook Content of Drilling Calculations Handbook
  - Distinguishing Credible Sources

13. Promoting Lifelong Learning
  - Utilizing eBooks for Skill Development
  - Exploring Educational eBooks
14. Embracing eBook Trends
  - Integration of Multimedia Elements
  - Interactive and Gamified eBooks

### **Drilling Calculations Handbook Introduction**

Drilling Calculations Handbook Offers over 60,000 free eBooks, including many classics that are in the public domain. Open Library: Provides access to over 1 million free eBooks, including classic literature and contemporary works. Drilling Calculations Handbook Offers a vast collection of books, some of which are available for free as PDF downloads, particularly older books in the public domain. Drilling Calculations Handbook : This website hosts a vast collection of scientific articles, books, and textbooks. While it operates in a legal gray area due to copyright issues, its a popular resource for finding various publications. Internet Archive for Drilling Calculations Handbook : Has an extensive collection of digital content, including books, articles, videos, and more. It has a massive library of free downloadable books. Free-eBooks Drilling Calculations Handbook Offers a diverse range of free eBooks across various genres. Drilling Calculations Handbook Focuses mainly on educational books, textbooks, and business books. It offers free PDF downloads for educational purposes. Drilling Calculations Handbook Provides a large selection of free eBooks in different genres, which are available for download in various formats, including PDF. Finding specific Drilling Calculations Handbook, especially related to Drilling Calculations Handbook, might be challenging as theyre often artistic creations rather than practical blueprints. However, you can explore the following steps to search for or create your own Online Searches: Look for websites, forums, or blogs dedicated to Drilling Calculations Handbook, Sometimes enthusiasts share their designs or concepts in PDF format. Books and Magazines Some Drilling Calculations Handbook books or magazines might include. Look for these in online stores or libraries. Remember that while Drilling Calculations Handbook, sharing copyrighted material without permission is not legal. Always ensure youre either creating your own or obtaining them from legitimate sources that allow sharing and downloading. Library Check if your local library offers eBook lending services. Many libraries have digital catalogs where you can borrow Drilling Calculations Handbook eBooks for free, including popular titles. Online Retailers: Websites like Amazon, Google Books, or Apple Books often sell eBooks. Sometimes, authors or publishers offer promotions or free periods for certain books. Authors Website Occasionally, authors provide excerpts or short stories for free on their websites. While this might not be the Drilling Calculations Handbook full book , it can give you a taste of the authors writing style. Subscription Services

Platforms like Kindle Unlimited or Scribd offer subscription-based access to a wide range of Drilling Calculations Handbook eBooks, including some popular titles.

### FAQs About Drilling Calculations Handbook Books

1. Where can I buy Drilling Calculations Handbook books? Bookstores: Physical bookstores like Barnes & Noble, Waterstones, and independent local stores. Online Retailers: Amazon, Book Depository, and various online bookstores offer a wide range of books in physical and digital formats.
2. What are the different book formats available? Hardcover: Sturdy and durable, usually more expensive. Paperback: Cheaper, lighter, and more portable than hardcovers. E-books: Digital books available for e-readers like Kindle or software like Apple Books, Kindle, and Google Play Books.
3. How do I choose a Drilling Calculations Handbook book to read? Genres: Consider the genre you enjoy (fiction, non-fiction, mystery, sci-fi, etc.). Recommendations: Ask friends, join book clubs, or explore online reviews and recommendations. Author: If you like a particular author, you might enjoy more of their work.
4. How do I take care of Drilling Calculations Handbook books? Storage: Keep them away from direct sunlight and in a dry environment. Handling: Avoid folding pages, use bookmarks, and handle them with clean hands. Cleaning: Gently dust the covers and pages occasionally.
5. Can I borrow books without buying them? Public Libraries: Local libraries offer a wide range of books for borrowing. Book Swaps: Community book exchanges or online platforms where people exchange books.
6. How can I track my reading progress or manage my book collection? Book Tracking Apps: Goodreads, LibraryThing, and Book Catalogue are popular apps for tracking your reading progress and managing book collections. Spreadsheets: You can create your own spreadsheet to track books read, ratings, and other details.
7. What are Drilling Calculations Handbook audiobooks, and where can I find them? Audiobooks: Audio recordings of books, perfect for listening while commuting or multitasking. Platforms: Audible, LibriVox, and Google Play Books offer a wide selection of audiobooks.
8. How do I support authors or the book industry? Buy Books: Purchase books from authors or independent bookstores. Reviews: Leave reviews on platforms like Goodreads or Amazon. Promotion: Share your favorite books on social media or recommend them to friends.
9. Are there book clubs or reading communities I can join? Local Clubs: Check for local book clubs in libraries or

community centers. Online Communities: Platforms like Goodreads have virtual book clubs and discussion groups.

10. Can I read Drilling Calculations Handbook books for free? Public Domain Books: Many classic books are available for free as they're in the public domain. Free E-books: Some websites offer free e-books legally, like Project Gutenberg or Open Library.

### **Find Drilling Calculations Handbook :**

[80-1777 smart home tech best practices United States](#) [80-756 smart home travel strategies for creators](#) [80-1073 budget travel strategies for small business](#) **80-2763 blog monetization apps United States** **80-1502 blog** [80-742 coding for beginners for beginners for entrepreneurs](#) [80-196 startups](#) [80-1053 crypto trading step by step for startups](#) [80-2129 crypto guide for startups](#) **80-1947 Instagram growth guide for startups** **80-629 trends USA** [80-2051 YouTube growth trends for creators](#) [80-2043 YouTube States](#) **80-1740 budget travel trends for entrepreneurs** **80-1014 budget** [80-1130 digital marketing review America](#) [80-218 digital marketing review beginners for small business](#) [80-2870 freelancing online ideas for creators](#) [80-1291 blockchain development tips for entrepreneurs](#) [80-1561 step by step for entrepreneurs](#) [80-1031 ecommerce trends step by step for checklist United States](#) [80-3000 sustainable living checklist for step for small business](#) [80-815 dropshipping business strategies for budget travel roadmap for startups](#) **80-2441 budget travel roadmap for**

### **Drilling Calculations Handbook :**

**answers to smells good year 3 test pdf uniport edu** - Jul 20 2022

web explore the outdoors with nature crafts and simple science activities shows play thrive learn grow by age 2 3 4

**giving computers a sense of smell the quest to scientifically map** - Feb 12 2022

web 4 smells good year 3 test 2022 04 11 benefit the readers the complexities of molecular orbital theory have been explained in a very simple and easy manner it also deals with

*smells good year 3 test copy uniport edu* - Jan 14 2022

**good smells and bad smells worksheet teacher** - Jun 30 2023

web jul 5 2023 year 3 test is universally compatible once any devices to read smell and taste richard l doty 2019 11 11 smell and taste volume 164 focuses on recent

**smells good year 3 reading comprehension pdf** - Apr 16 2022

web smells good year 3 test the pharmaceutical journal and transactions the british journal of psychology report of the commissioners appointed in 1898 to inquire and

[year 3 smells good mark scheme pdf uniport edu](#) - Aug 21 2022

web smells good year 3 reading comprehension pdf menu home translate read online market leader intermediate test file 2nd revised edition kindle editon xit read

**smells good year 3 test copy uniport edu** - Aug 01 2023

web sep 3 2023 this online pronouncement smells good year 3 test can be one of the options to accompany you like having further time it will not waste your time understand

[smells good year 3 test portal nivbook co il](#) - Oct 11 2021

**smells good year 3 test pdf cdn writermag** - Sep 02 2023

web please note this resource is suitable for the exams up to june 2022 new revision resources will be available from spring 2022 for the exams from november 2022 exam

**year 3 smells good mark scheme copy uniport edu** - May 18 2022

web may 22 2023 smells good year 3 test 2 8 downloaded from uniport edu ng on may 22 2023 by guest and repaired and how the function of human chemical senses can be

**sense of smell mystery bottles activity teacher** - May 30 2023

web smells good questions year 3 reading test unveiling the power of verbal artistry an psychological sojourn through smells good questions year 3 reading test in a global

[smells good year 3 test old nziob org](#) - Nov 23 2022

web answers to smells good year 3 test 1 7 downloaded from uniport edu ng on september 19 2023 by guest answers to smells good year 3 test right here we have countless

[it smells good or it smells bad worksheet for](#) - Sep 21 2022

web may 19 2023 year 3 smells good mark scheme is available in our digital library an online access to it is set as public so you can get it instantly our book servers saves in multiple

**smells good questions year 3 reading test full pdf** - Oct 03 2023

web smells good questions year 3 reading test smells good questions year 3 reading test 2 downloaded from forms asmibmr.edu in on 2019 04 26 by guest guide for time for

**smells good year 3 test controlplane themintgaming** - Nov 11 2021

**answers to smells good year 3 test pdf** - Dec 25 2022

web aug 5 2023 year 3 smells good mark scheme but stop occurring in harmful downloads rather than enjoying a good book taking into consideration a cup of coffee in the

*smells good year 3 test portal nivbook co il* - Dec 13 2021

**answers to smells good year 3 test tracy pearce 2023** - Jan 26 2023

web displaying top 8 worksheets found for good smell and bad smell some of the worksheets for this concept are using your nose smell activities for young children

**sense of smell quiz worksheet for kids study com** - Feb 24 2023

web install smells good year 3 test fittingly simple smells good year 3 test 2020 06 30 jada jamal taste smell and the elderly royal society of chemistry summary

**good smell and bad smell worksheets learny kids** - Oct 23 2022

web smells good year 3 test 5 5 exam oriented study remembering understanding application analysing evaluation and creation based question based on bloom s

**smells good questions year 3 reading test full pdf dev rcm org** - Mar 28 2023

web 2 answers to smells good year 3 test 2023 01 13 miracle she had to know more about this wonderful stranger and as the story unfolds we learn that jeanie is about to live an

**smells good year 3 test pdf uniport edu** - Apr 28 2023

web download and install answers to smells good year 3 test consequently simple new york city shsat prep 2020 2021 kaplan test prep 2020 03 03 kaplan s new york city

*smell test can you guess this scent crafts for kids* - Mar 16 2022

web smells good year 3 test 3 3 gruyter gmbh co kg gain confidence and competence with health assessment physical examination fifth edition promoting

**smells good year 3 test video paydayhcm** - Jun 18 2022

web oct 28 2023 osmo s stated purpose is to give computers a sense of smell because while we have learned to digitally encode sights and sounds we have no way of doing so

[kussen breien met kabels ouderwets breien](#) - Aug 07 2023

web kussen breien met kabels zelf kussens breien voor thuis of misschien als presentje is erg leuk om te doen over het algemeen ben je er snel mee klaar en heeft het een grote invloed op het interieur met dit patroon kun je een kussen breien met kabels

**u 1f60d wil je een kussen met kabels breien breiclub nl** - Sep 08 2023

web wil je ook een kussen met kabels breien ik laat dit patroon vandaag aan jullie zien kussen met kabels breien dit was het voorbeeld dat ik gezien heb en dit is het geworden wat heb je nodig 200 gr acrylgaren voor naalddikte 4 of 5 een binnenkussen 40 x 40 cm 2 breinaalden nr 5½ een kabelnaald

**breipatroon kussenhoes hobbydoos nl** - Jul 26 2022

web breipatroon kussenhoes met kabels formaat 45 a 45 voor een kussen van 50 a 50 cm zodat hij mooi strak komt te zitten bestel alle benodigdheden download gratis patroon

**kussen breien ouderwets breien** - Jun 05 2023

web ouderwets breien verzamelt en plaatst op deze pagina gratis breipatronen voor kussens met deze speciaal geselecteerde breipatronen kun je een kussen breien in de leukste vormen en kleuren de patronen zijn vrijwel allemaal geschikt voor beginners maar blijven ook erg leuk voor gevorderden in elk patroon staat het niveau aangegeven

[gratis breipatronen en haakpatronen van drops design](#) - Feb 18 2022

web hier vindt u meer dan 120 000 gratis breipatronen en haakpatronen met instructievideo s en garens voor een fantastische prijs

*kussen met kabel breien met breipatroon pinterest* - Jun 24 2022

web 6 okt 2022 knitting breien vintage seventies 70 1970 pattern gratis breipatroon origineel free brei zelf maken

[diy breipatroon kabelkussen ribbonxl hookeyarn com](#) - Nov 29 2022

web brei zelf een mooi kabelkussen met dit simpele maar supermooie breipatroon van hookeyarn het patroon is gemaakt voor ribbonxl maar je kunt m ook breien met zpagetti gebruik dan een grotere binnenvulling voor dit patroon heb je 3 bollen ribbonxl of 3 bollen hookeyarn zpagetti nodig voor een kussen met aan beide zijde de mooie dikke

**breipatroon kabelkussen hobbydoos nl** - Mar 22 2022

web breipatroon kabelkussen niet meer leverbaar patroonnummer 11347 227 gebreiden kussen met kabels van 40 x 40 cm helaas is dit patroon niet meer te verkrijgen helaas zijn op dit moment niet alle artikelen meer leverbaar voor dit patroon bekijk meer kussen meer info kussen kerst meer info kussen meer info kussenhoes met kabels meer info

[freppi gratis breipatronen kussens hoezen](#) - May 04 2023

web gekabelde kussens bron a la sascha taal nederlands patroon voor een gebreide kussenhoes met kabels mooi patroontje

te vinden bij a la sascha pillow talk bron red heart taal engels gebreid kussen in de vorm van een groot hart het breipatroontje is te verkrijgen op de website van redheart com kussen nele bron bastel butinette taal Duits

[gratis breipatroon kussen met kabels breiclub nl](#) - Oct 09 2023

web in dit gratis breipatroon kussen met kabels voor sommige mensen lijkt het misschien wat lastig maar zodra je de techniek beheerst is het eigenlijk helemaal niet moeilijk we vertellen je welk materiaal je nodig hebt de gebruikte steken een *patronen kussen hobbydoos nl* - Mar 02 2023

web sneeuwvlokken kussen patronen kussen gratis via de mail bij afname van de garens of aankoop boek de ontwerpen zijn samen met de benodigheden online te bekijken

[kussen breien met kabelpatroon ouderwets breien](#) - Feb 01 2023

web met dit patroon kun je een kussen breien met kabelpatroon dit kussen ziet er prachtig uit in het rood of een andere kleur met de kerst in aantocht is er gekozen voor kersenrood met een andere kleur kun je dit kussen voor elk jaargetijde maken

**breipatroon kussen met kabels mooizelfgemaakt nl** - Aug 27 2022

web brei gelijktijdig voor kabel b als volgt kruis in de 5de naald twee keer 3 steken achter het werk langs zie uitleg hierboven en brei de laatste 3 steken van de kabel recht brei vervolgens na 4 naalden de eerste keer in de 9de naald 3

**eenvoudig breipatroon kussenhoes breien beginnersuitleg** - Apr 03 2023

web sep 21 2023 ook leuk is het om kabels te breien dat lijkt misschien moeilijk maar als je er de juiste breinaalden voor hebt is het eenvoudig aan te leren de breinaalden voor kabelbreien hebben deuken in het midden zodat je de

*drops design breipatronen haakpatronen hoge kwaliteit* - May 24 2022

web welkom bij drops design hier vindt u meer dan 120 000 gratis breipatronen en haakpatronen met instructievideo's en garens voor een fantastische prijs

[gratis breipatroon kussenhoes met kabels beginnersuitleg](#) - Oct 29 2022

web aug 2 2023 met onze breipatronen voor een kussenhoes met kabels maak je in een handomdraai zelf deze prachtige trendy kussens 10 beste breipatroon kussenhoes met kabels 1 kussen breien met kabels 2 decoratieve kabel gebreide

kussenhoes in gele 12 18 inch wol 3 breipatroon kussen van zpagetti 4 gratis haakpatroon kussen

[gebreid kussen met kabelpatroon ouderwets breien](#) - Apr 22 2022

web kabels breien is voor velen een stap te ver vanwege de moeilijkheidsgraad daarom is een gebreid kussen met

kabelpatroon een goede opstapper om ermee bekend te raken deze kussensloop brei je met 800 gram garen en is geschikt voor een kussen van iets minder dan 48 bij 48 centimeter

**breipatroon kussenhoes kabels keltisch kussen voor decoratie** - Sep 27 2022

web breipatroon kussenhoes kabels keltisch kussen voor decoratie van uw huis 40 cm vierkant kussen met knopen en direct

te downloaden u kunt nu deze prachtige vierkante 40 cm kussenhoes met kabels maken de envelop sluiting maakt u vast met 3 knopen zodat u het binnenkussen eenvoudig eruit kan halen

**makkelijk breipatroon kussen met kabels beginnersuitleg** - Jul 06 2023

web aug 17 2023 7 beste breipatroon kussen met kabels 1 gratis breipatroon kussen met kabels 2 u 1f60d wil je een kussen met kabels breien 3 u 1f60d wil je een kussen met kabels breien 4 kwast franje maken voor bv sjaal 5 gratis breipatroon kussen met kabels 6 gratis breipatroon kussen met kabels 7 breipatroon kussen

breipatroon kussen hobbydoos nl - Dec 31 2022

web breipatroon kussen winter snuggle pillow dit leuke gebreide kussen heeft kabels en is met valse patentsteek het patroon wordt van twee draden drops air gemaakt afmetingen ongeveer 48 x 45 cm de hoes past om een kussen van 50 x 50 cm want het rekt nog een beetje uit zodat het er mooi omheen past

*the eclogues and georgics oxford world s classics* - May 11 2023

web buy the eclogues and georgics oxford world s classics new by virgil lyne r o a m day lewis c isbn 9780192837684 from amazon s book store everyday low

**the eclogues and georgics oxford world s classics** - Sep 03 2022

web apr 1 1983 he is known for three major works of latin literature the eclogues or bucolics the georgics and the epic aeneid a number of minor poems collected in the

the eclogues and georgics oxford world s classics - Jul 13 2023

web these four books contain some of virgil s finest descriptive writing and are generally held to be his greatest and most entertaining work and c day lewis s lyrical translations are

the eclogues and georgics oxford world s classics virgil - Jan 07 2023

web abebooks com the eclogues and georgics oxford world s classics english and latin edition 9780192816436 by virgil and a great selection of similar new used and

**the eclogues and georgics oxford world s classics by virgil** - Aug 22 2021

**oxford world s classics the eclogues and georgics varios** - May 31 2022

web mar 26 2009 the eclogues and georgics oxford world s classics paperback by virgil isbn 13 9780199554096 isbn 10 0199554099 paperback oxford university

*the eclogues and georgics oxford world s classics* - Oct 24 2021

web find helpful customer reviews and review ratings for the eclogues and georgics oxford world s classics paperback at amazon com read honest and unbiased product

**the eclogues and georgics oxford world s classics virgil** - Mar 29 2022

web oxford world s classics price 8 99 part agricultural manual part political poem and allegory the georgics scenes are real and vivid and the poet farmer peter fallon

*the eclogues and georgics oxford world s classics by virgil* - Oct 04 2022

web abebooks com the eclogues and georgics oxford world s classics paperback 9780199554096 by virgil and a great selection of similar new used and collectible

georgics oxford world s classics amazon com - Feb 08 2023

web the eclogues and georgics oxford world s classics virgil amazon com tr kitap

**buy the eclogues and georgics oxford world s classics book** - Jul 01 2022

web select the department you want to search in

the eclogues and georgics oxford world s classics - Dec 26 2021

web discover and share books you love on goodreads

**georgics paperback virgil peter fallon elaine fantham** - Feb 25 2022

web the eclogues and georgics oxford world s classics paperback virgil make your opened21 experience amazing news 2021 recordings 1 of 5 stars 2 of 5 stars 3 of 5

*the eclogues and georgics oxford world s classics* - Aug 14 2023

web buy the eclogues and georgics oxford world s classics by virgil lyne r o a m day lewis c isbn 9780199554096 from amazon s book store everyday low prices

**the eclogues and georgics oxford world s classics paperback** - Apr 29 2022

web the eclogues display all virgil s art and charm and are among his most delightful achievements between approximately 39 and 29 bc years of civil strife between

*the eclogues the georgics virgil google books* - Nov 05 2022

web mar 26 2009 booktopia has the eclogues and georgics oxford world s classics by virgil buy a discounted paperback of the eclogues and georgics online from

**the eclogues and georgics paperback oxford university press** - Jun 12 2023

web mar 26 2009 the eclogues and georgics virgil translated by c day lewis and with a new introduction historical sketch and notes by r o a m lyne 26 march 2009 isbn

**the eclogues and georgics oxford world s** - Apr 10 2023

web sep 2 1999 the eclogues and georgics by publius vergilius maro september 2 1999 oxford university press edition the eclogues and georgics oxford

*the eclogues and georgics oxford world s classics* - Aug 02 2022

web amazon in buy the eclogues and georgics oxford world s classics book online at best prices in india on amazon in read the eclogues and georgics oxford world s

**the eclogues and georgics oxford world s classics** - Jan 27 2022

web jul 21 2021 9361 words ages 16 and up 899334 2730 a girl who hits the clubs every other day and sleeps with 1 different guy every other day until she finds the perfect guy her own

**the eclogues and georgics oxford world s classics open** - Mar 09 2023

web apr 15 2009 about the series for over 100 years oxford world s classics has made available the broadest spectrum of literature from around the globe each affordable

amazon com customer reviews the eclogues and georgics - Sep 22 2021

web the eclogues and georgics oxford world s classics by virgil 2009 paperback on amazon com free shipping on qualifying offers the eclogues and georgics

*loading interface goodreads* - Nov 24 2021

web jan 1 1999 the eclogues and georgics oxford world s classics varios autores on amazon com free shipping on qualifying offers the eclogues and georgics

**the eclogues and georgics oxford world s classics english** - Dec 06 2022

web the eclogues the georgics virgil oxford university press 1999 agriculture 148 pages the eclogues ten short pastoral poems were composed between