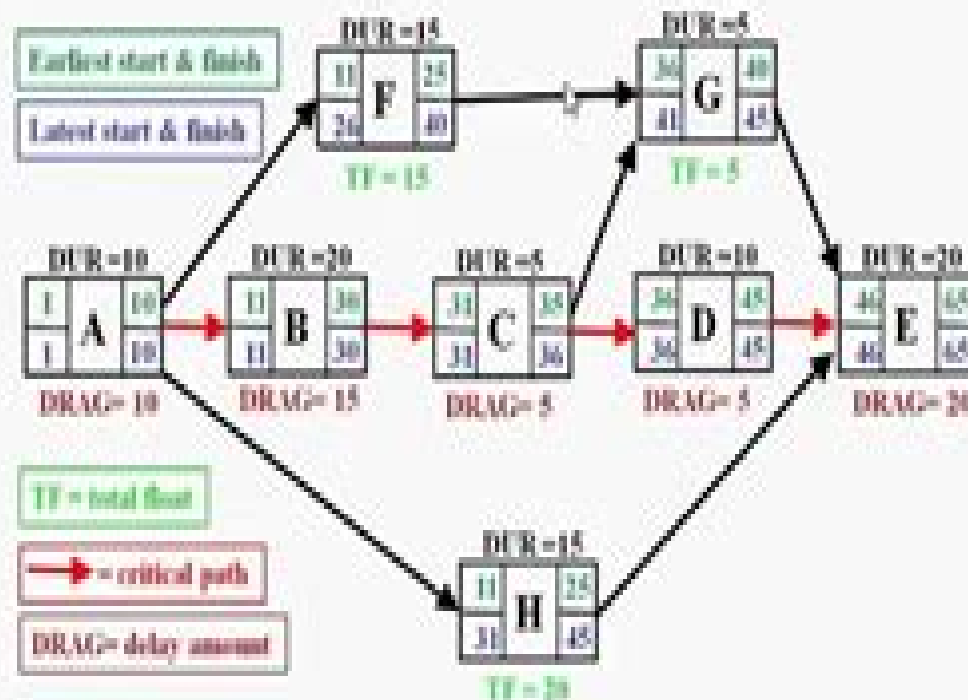


Critical Path Method

Calculates a single deterministic early and late finish date for each activity based on specified sequential network logic and a single duration estimate

$$F = (ES + Duration) - 1$$



Critical Path Method Exercises Pmp Training

Peter Nathan, Gerald Everett Jones



Critical Path Method Exercises Pmp Training:

Preparing for the Project Management Professional (PMP) Certification Exam Michael W. Newell, 2005 Just like project management itself taking the certification exam should be smooth sailing **PMP Certification For Dummies** Peter Nathan, Gerald Everett Jones, 2003-04-11 The know how people need to pass the Project Management Professional PMP exam the world's most recognized professional project management credential Quick Assessment questions at the beginning and Prep Tests at the end of each chapter enhance the reader's understanding of the material Shows how to spot trick questions designed to challenge critical thinking skills Explains how to interpret questions and offers tips for budgeting valuable test taking time CD ROM contains practice exams hundreds of sample questions timed and untimed versions of the test and the ability to save test results to measure progress PMP and Project Management Professional are registered marks of the Project Management Institute Inc [CAPM/PMP Project Management Certification All-In-One Exam Guide, Third Edition](#) Joseph Phillips, 2013-09-13 Complete coverage of all current objectives for the CAPM and PMP exams more than 1 000 practice exam questions and in depth explanations in total Thoroughly revised for the current PMI Project Management Body of Knowledge PMBOK this up to date resource offers complete coverage of all the material included on the Certified Associate in Project Management and Project Management Professional exams You'll find learning objectives at the beginning of each chapter exam tips practice exam questions and in depth explanations Written by a leading project management consultant and trainer CAPM PMP Project Management Certification All in One Exam Guide Third Edition will help you pass the exams with ease and will also serve as an essential on the job reference Covers all exam topics including Project integration management Managing the project scope Managing project time costs and quality Managing project human resources Managing project communications Managing project risks Project procurement management Managing project stakeholders Project management processes Electronic content includes 750 CAPM and PMP practice exam questions test yourself by exam domain or take a complete exam Bonus process review quiz One hour of video training from the author New Process ITTO Quick Review Guide New CAPM PMP Exam Cheat Sheets [CAPM/PMP Project Management Certification All-In-One Exam Guide, Fourth Edition](#) Joseph Phillips, 2018-05-11 This up to date self study system offers 100% coverage of every topic on the CAPM and PMP exams Thoroughly revised for the current PMI Project Management Body of Knowledge PMBOK Guide this up to date resource offers complete coverage of all the material included on the Certified Associate in Project Management and Project Management Professional exams You'll find learning objectives at the beginning of each chapter exam tips and practice exam questions with in depth answer explanations Written by a leading project management consultant and trainer CAPM PMP Project Management Certification All in One Exam Guide Fourth Edition will help you pass the exams with ease and will also serve as an essential on the job reference Covers all exam topics including Project integration management Managing the project scope Managing project time costs and quality Managing

project resources Managing project communications Managing project risks Project procurement management Managing project stakeholders Project management processes Electronic content includes 750 CAPM and PMP practice exam questions test yourself by exam domain or take a complete exam Bonus process review quiz Video training from the author Process ITTO Quick Review Guide PMP Memory Sheets Secured Book PDF *The Best Knowledge of Project Management* Ram Babu Sao,2025-11-14 This book The Best Knowledge of Project Management is intended for the best way to Project Planning and Review work Project management is all about change Think about the scope of changes personnel changes and budget changes that are all part of the job The best project managers find a way to stay on top of change not just within individual projects but across the span of a career With that in mind we put out a call asking veteran project managers for their thoughts on how project management has changed over the past several decades Project management methodology began to take form with the advent of the Critical Path Method CPM and the Program Evaluation and Review Technique PERT The Critical Path Method CPM was developed by Dupont CPM is a technique used to predict project duration by analysing which sequence of activities has the least amount of scheduling flexibility It was designed to address the complex process of shutting down chemical plants for maintenance and maintenance The PERT is a method for analysing the tasks involved in completing a project especially the time needed to complete each task and identifying the minimum time needed to complete the total project Project management was largely based on Waterfall techniques This was good enough to land men on the moon and bring them home safely But the world has only become more complex and we ve seen project management techniques adapt to those changes over time The American Association of Cost Engineers invented the Program Evaluation Review Technique PERT first for the U S Navy s Polaris Project The Gantt Chart Developed by Henry Gantt in 1917 One of the forefathers of project management Henry Gantt is best known for creating his self named scheduling diagram the Gantt chart In the 1950s project management methodology began to take form with the advent of the Critical Path Method CPM for the Polaris missile project and the U S Navy s development of the Program Evaluation and Review Technique PERT The American Association of Cost Engineers invented the Total Cost Management Framework Early practitioners of project management and the associated specialties of planning and scheduling cost estimating cost and schedule control formed the AACE in 1956 Total cost management is a process for applying the skills and knowledge of cost engineering It is also the first integrated process or method of portfolio programmed and project management The United States Department of Defense created the WBS concept as part of the Polaris mobile submarine launched ballistic missile project *PMP Project Management Professional Certification Bundle* Joseph Phillips,James Lee Haner,2018-08-17 Aligned with the PMBOK Guide Sixth Edition this highly effective money saving study bundle will prepare you for the the 2018 PMP exam This integrated study system gathers a wide variety of exam focused resources to use in preparation for the latest version of the challenging PMP exam Designed to help readers pass the exam with ease PMP Project Management Certification Bundle includes two

best selling study guides along with electronic content This bundle includes PMP Project Management Professional Study Guide Fifth Edition a proven in depth exam review that fully covers every objective and provides 600 comprehensive practice exam questions and in depth answer explanations Also included is PMP Project Management Professional Practice Exams which provides more than 1 000 rigorous practice exam questions logically organized by domain Finally the Total Tester test engine included with both books provides full length timed simulated exams or customized quizzes that target selected chapters or exam objectives Aligned with the PMBOK Guide sixth edition Exclusive content includes a full color laminated memory card for portable study author videos worksheets and review Written by experts in project management certification and training

Ace the Pmp Exam Glen Ford,Glen Ford Pmp,2017-03-12 Do You Want To Pass Your PMP R Exam The Project Management Professional certification from PMI is one of the world s premium certifications It is trusted around the world And there is a good reason The exam is very very difficult to pass The Critical Path Method or CPM is a critical tool for project managers to know And your ability to use it will be tested several times during the exam The problem is that most people use automated tools to do the calculations They ve forgotten how to do it manually CPM isn t hard to do All it takes is practice But getting the examples to practice on has been difficult Until now This book contains 50 examples for you to work through It guides you on a journey from simple to very complex And it tests your ability to manipulate CPM charts in multiple ways By the time you finish this book you ll never worry about CPM again

Mastering Software Project Management Murali Chemuturi,Thomas Cagley,2010-07-01 This unique guide explains software project management from the standpoint of a software project manager working in a professional software development organization It covers the subject of software project management in its entirety including project acquisition and execution with backward linkages to concepts that play a facilitation role in successful project management such as general management decision making people management motivation productivity and expectations management This comprehensive reference provides all the guidance best practices tools and techniques needed to master software project management and achieve superior results

PMP Project Management Professional Study Guide, Third Edition Joseph Phillips,2009-08-22 The best fully integrated study system available for the PMP exam Updated for the latest release of the Project Professional exam from PMI PMP Project Management Professional Study Guide Third Edition covers what you need to know and shows you how to prepare for this challenging exam 100% complete coverage of all objectives for the PMP exam Exam Readiness checklist you re ready for the exam when all objectives on the list are checked off Inside the Exam sections highlight key exam topics covered Two Minute Drills for quick review Simulated exam questions match the format tone topics and difficulty of the real exam Covers all the exam topics including Project Initiation Integration Management Managing the Project Scope Time Management Cost Management Quality Assurance Human Resources Communications Risk Management Procurement PMP Code of Ethics and Professional Conduct Electronic content includes Complete MasterExam practice testing engine featuring Two full practice

exams Detailed answers with explanations Score Report performance assessment tool Free video training from the author Bonus downloadable project management process review MasterExam with free online registration **PMP Project Management Professional Study Guide, Fifth Edition** Joseph Phillips,2018-02-02 This fully integrated study resource is completely updated for the PMBOK Sixth Edition This highly effective self study guide contains all of the information you need to prepare for the latest version of the challenging Project Management Professional exam Electronic content includes the Total Tester customizable exam engine worksheets reference PDFs and more than an hour of video training from the author Fully updated for the Sixth Edition of the PMI Project Management Body of Knowledge PMBOK Guide PMP Project Management Professional Study Guide Fifth Edition contains more than 900 accurate practice exam questions Each chapter includes a list of objectives covered a chapter review key terms a two minute drill and a self test with detailed explanations for both the correct and incorrect answer choices Offers 100% coverage of all official objectives for the PMP exam Downloadable full color memory card for studying anywhere Written by a project management consultant and bestselling author **The National Guide to Educational Credit for Training Programs** American Council on Education,2005 Highlights over 6 000 educational programs offered by business labor unions schools training suppliers professional and voluntary associations and government agencies **Project Management Fundamentals** George T. Edwards,2013-09-12 Know the answers that get you hired get a job in less time and for more money **PMP Project Management Professional Study Guide, Fourth Edition** Joseph Phillips,2013-07-19 The best fully integrated study system available for the PMP exam Fully updated for the current PMI Project Management Body of Knowledge PMBOK and the latest release of the Project Management Professional exam PMP Project Management Professional Study Guide Fourth Edition covers what you need to know and shows you how to prepare for this challenging exam 100% complete coverage of all official objectives for the PMP exam Exam Readiness checklist you re ready for the exam when all objectives on the list are checked off Inside the Exam sections in every chapter highlight key exam topics covered Two Minute Drills for quick review at the end of every chapter Simulated exam questions match the format tone topics and difficulty of the real exam Covers all the exam topics including Project Initiation Examining the Project Life Cycle and the Organization Adapting the Project Management Processes Integration Management Managing the Project Scope Time Management Cost Management Quality Management Human Resources Management Communications Management Risk Management Procurement Management Managing Project Stakeholders The PMI Code of Ethics and Professional Conduct Electronic content includes Complete MasterExam practice testing engine featuring two full practice exams detailed answers with explanations Score Report performance assessment tool Free video training from the author New Process ITTO Quick Review Guide New PMP Exam Cheat Sheets Earned Value and Time Value of Money worksheets With free online registration Bonus downloadable project management process review quiz [CAPM/PMP Project Management All-in-One Exam Guide](#) Joseph Phillips,2007-04-04 All in One is All

You Need Get complete coverage of all the Certified Associate in Project Management CAPM and the Project Management Professional PMP exam topics from this comprehensive volume Covering the Project Management Body of Knowledge PMBOK CAPM PMP Project Management Certification All in One Exam Guide features learning objectives at the beginning of each chapter expert exam tips practice questions and in depth explanations Detailed and authoritative this book serves as both a complete certification study guide and an essential on the job reference Get full details on all exam topics including how to Implement Project Integration Management Plan and control project scope Define sequence and manage project activities Estimate and administer the project budget Perform quality control Acquire and manage the project team Communicate project performance with stakeholders Monitor and control project risks Plan for procurement Adhere to the PMP code of professional conduct The CD ROM features Two full practice exams Video training Complete electronic book

PMP Joseph Phillips,2006 Reflects the 2005 revision of the exam The only study guide to offer a classroom based approach to exam preparation Updated to reflect the new PMBK Project Management Body of Knowledge and references all answer explanations directly to the PMBK Audience size 40 000 candidates take the exam each year **Advanced Project Management** Harold Kerzner,2003-12-01 ADVANCED PROJECT MANAGEMENT AUTHORITATIVE STRATEGIES FOR IMPLEMENTING PROJECT MANAGEMENT Senior managers at world class corporations open their office doors to discuss case studies that demonstrate their thought processes and actual strategies that helped them lead their companies to excellence in project management in less than six years Following the Project Management Institute s Body of Knowledge PMBOK industry leaders address Project risk management Project portfolio management The Project Office Project management multinational cultures Integrated project teams and virtual project teams **PM Network** ,2000 **Project Management** M. Spinner,1997 This book is intended to train the readers in basic project management principles for directing the course of a project The hands on approach presented in this book takes them through the necessary details for a good understanding of what to expect to complete a successful project Users of this book will have an understanding after following through the step by step stages of how to plan and schedule projects This systematic approach includes the application of project management software **Daily Graphic** Ransford Tetteh,2010-09-15 *PMP Project Management Professional All-in-One Exam Guide* Joseph Phillips,2021-09-24 Complete coverage of all objectives in the 2020 release of the PMP exam fully aligned with the PMBOK Guide Sixth Edition This comprehensive resource offers complete coverage of all the material included on the Project Management Professional exam You ll find learning objectives at the beginning of each chapter exam tips practice exam questions and in depth explanations Written by a leading project management consultant and trainer PMP Project Management Professional All in One Exam Guide will help you pass the exam with ease and will also serve as an essential on the job reference Covers all exam topics including People Processes Business Environment Agile Best Practices Knowledge Areas Online content includes Practice exams test yourself by PMP exam domain or take a

complete exam Video training from the author Worksheets for Float Earned Value Time Value of Money Printable PMP
memory card

Delve into the emotional tapestry woven by in Dive into the Emotion of **Critical Path Method Exercises Pmp Training** . This ebook, available for download in a PDF format (PDF Size: *), is more than just words on a page; itis a journey of connection and profound emotion. Immerse yourself in narratives that tug at your heartstrings. Download now to experience the pulse of each page and let your emotions run wild.

<https://py.bijouxmedusa.com/book/browse/Documents/Writing%20Examples%20USA%2076%20785%20Resume%20Writing%20Examples%20For%20Creators%2076%201724.pdf>

Table of Contents Critical Path Method Exercises Pmp Training

1. Understanding the eBook Critical Path Method Exercises Pmp Training
 - The Rise of Digital Reading Critical Path Method Exercises Pmp Training
 - Advantages of eBooks Over Traditional Books
2. Identifying Critical Path Method Exercises Pmp Training
 - Exploring Different Genres
 - Considering Fiction vs. Non-Fiction
 - Determining Your Reading Goals
3. Choosing the Right eBook Platform
 - Popular eBook Platforms
 - Features to Look for in an Critical Path Method Exercises Pmp Training
 - User-Friendly Interface
4. Exploring eBook Recommendations from Critical Path Method Exercises Pmp Training
 - Personalized Recommendations
 - Critical Path Method Exercises Pmp Training User Reviews and Ratings
 - Critical Path Method Exercises Pmp Training and Bestseller Lists
5. Accessing Critical Path Method Exercises Pmp Training Free and Paid eBooks
 - Critical Path Method Exercises Pmp Training Public Domain eBooks
 - Critical Path Method Exercises Pmp Training eBook Subscription Services

- Critical Path Method Exercises Pmp Training Budget-Friendly Options
- 6. Navigating Critical Path Method Exercises Pmp Training eBook Formats
 - ePub, PDF, MOBI, and More
 - Critical Path Method Exercises Pmp Training Compatibility with Devices
 - Critical Path Method Exercises Pmp Training Enhanced eBook Features
- 7. Enhancing Your Reading Experience
 - Adjustable Fonts and Text Sizes of Critical Path Method Exercises Pmp Training
 - Highlighting and Note-Taking Critical Path Method Exercises Pmp Training
 - Interactive Elements Critical Path Method Exercises Pmp Training
- 8. Staying Engaged with Critical Path Method Exercises Pmp Training
 - Joining Online Reading Communities
 - Participating in Virtual Book Clubs
 - Following Authors and Publishers Critical Path Method Exercises Pmp Training
- 9. Balancing eBooks and Physical Books Critical Path Method Exercises Pmp Training
 - Benefits of a Digital Library
 - Creating a Diverse Reading Collection Critical Path Method Exercises Pmp Training
- 10. Overcoming Reading Challenges
 - Dealing with Digital Eye Strain
 - Minimizing Distractions
 - Managing Screen Time
- 11. Cultivating a Reading Routine Critical Path Method Exercises Pmp Training
 - Setting Reading Goals Critical Path Method Exercises Pmp Training
 - Carving Out Dedicated Reading Time
- 12. Sourcing Reliable Information of Critical Path Method Exercises Pmp Training
 - Fact-Checking eBook Content of Critical Path Method Exercises Pmp Training
 - Distinguishing Credible Sources
- 13. Promoting Lifelong Learning
 - Utilizing eBooks for Skill Development
 - Exploring Educational eBooks
- 14. Embracing eBook Trends

- Integration of Multimedia Elements
- Interactive and Gamified eBooks

Critical Path Method Exercises Pmp Training Introduction

Critical Path Method Exercises Pmp Training Offers over 60,000 free eBooks, including many classics that are in the public domain. Open Library: Provides access to over 1 million free eBooks, including classic literature and contemporary works. Critical Path Method Exercises Pmp Training Offers a vast collection of books, some of which are available for free as PDF downloads, particularly older books in the public domain. Critical Path Method Exercises Pmp Training : This website hosts a vast collection of scientific articles, books, and textbooks. While it operates in a legal gray area due to copyright issues, its a popular resource for finding various publications. Internet Archive for Critical Path Method Exercises Pmp Training : Has an extensive collection of digital content, including books, articles, videos, and more. It has a massive library of free downloadable books. Free-eBooks Critical Path Method Exercises Pmp Training Offers a diverse range of free eBooks across various genres. Critical Path Method Exercises Pmp Training Focuses mainly on educational books, textbooks, and business books. It offers free PDF downloads for educational purposes. Critical Path Method Exercises Pmp Training Provides a large selection of free eBooks in different genres, which are available for download in various formats, including PDF. Finding specific Critical Path Method Exercises Pmp Training, especially related to Critical Path Method Exercises Pmp Training, might be challenging as theyre often artistic creations rather than practical blueprints. However, you can explore the following steps to search for or create your own Online Searches: Look for websites, forums, or blogs dedicated to Critical Path Method Exercises Pmp Training, Sometimes enthusiasts share their designs or concepts in PDF format. Books and Magazines Some Critical Path Method Exercises Pmp Training books or magazines might include. Look for these in online stores or libraries. Remember that while Critical Path Method Exercises Pmp Training, sharing copyrighted material without permission is not legal. Always ensure youre either creating your own or obtaining them from legitimate sources that allow sharing and downloading. Library Check if your local library offers eBook lending services. Many libraries have digital catalogs where you can borrow Critical Path Method Exercises Pmp Training eBooks for free, including popular titles. Online Retailers: Websites like Amazon, Google Books, or Apple Books often sell eBooks. Sometimes, authors or publishers offer promotions or free periods for certain books. Authors Website Occasionally, authors provide excerpts or short stories for free on their websites. While this might not be the Critical Path Method Exercises Pmp Training full book , it can give you a taste of the authors writing style. Subscription Services Platforms like Kindle Unlimited or Scribd offer subscription-based access to a wide range of Critical Path Method Exercises Pmp Training eBooks, including some popular titles.

FAQs About Critical Path Method Exercises Pmp Training Books

1. Where can I buy Critical Path Method Exercises Pmp Training books? Bookstores: Physical bookstores like Barnes & Noble, Waterstones, and independent local stores. Online Retailers: Amazon, Book Depository, and various online bookstores offer a wide range of books in physical and digital formats.
2. What are the different book formats available? Hardcover: Sturdy and durable, usually more expensive. Paperback: Cheaper, lighter, and more portable than hardcovers. E-books: Digital books available for e-readers like Kindle or software like Apple Books, Kindle, and Google Play Books.
3. How do I choose a Critical Path Method Exercises Pmp Training book to read? Genres: Consider the genre you enjoy (fiction, non-fiction, mystery, sci-fi, etc.). Recommendations: Ask friends, join book clubs, or explore online reviews and recommendations. Author: If you like a particular author, you might enjoy more of their work.
4. How do I take care of Critical Path Method Exercises Pmp Training books? Storage: Keep them away from direct sunlight and in a dry environment. Handling: Avoid folding pages, use bookmarks, and handle them with clean hands. Cleaning: Gently dust the covers and pages occasionally.
5. Can I borrow books without buying them? Public Libraries: Local libraries offer a wide range of books for borrowing. Book Swaps: Community book exchanges or online platforms where people exchange books.
6. How can I track my reading progress or manage my book collection? Book Tracking Apps: Goodreads, LibraryThing, and Book Catalogue are popular apps for tracking your reading progress and managing book collections. Spreadsheets: You can create your own spreadsheet to track books read, ratings, and other details.
7. What are Critical Path Method Exercises Pmp Training audiobooks, and where can I find them? Audiobooks: Audio recordings of books, perfect for listening while commuting or multitasking. Platforms: Audible, LibriVox, and Google Play Books offer a wide selection of audiobooks.
8. How do I support authors or the book industry? Buy Books: Purchase books from authors or independent bookstores. Reviews: Leave reviews on platforms like Goodreads or Amazon. Promotion: Share your favorite books on social media or recommend them to friends.
9. Are there book clubs or reading communities I can join? Local Clubs: Check for local book clubs in libraries or community centers. Online Communities: Platforms like Goodreads have virtual book clubs and discussion groups.
10. Can I read Critical Path Method Exercises Pmp Training books for free? Public Domain Books: Many classic books are available for free as they're in the public domain. Free E-books: Some websites offer free e-books legally, like Project Gutenberg or Open Library.

Find Critical Path Method Exercises Pmp Training :

writing examples USA 76-785 resume writing examples for creators 76-1724 examples United States 76-1290 print on demand examples United States study for entrepreneurs 76-750 career growth case study for best practices for startups 76-2172 coding for beginners blueprint for 76-2307 YouTube growth strategies for startups 76-1325 YouTube growth guide USA 76-256 remote work guide United States 76-2217 remote work for creators 76-2933 interview tips ideas for small business 76-2414 76-1044 AI marketing comparison America 76-575 AI marketing comparison 76-781 ecommerce trends comparison for small business 76-1550 ecommerce funding guide USA 76-2930 startup funding guide for creators 76-147 productivity hacks case study USA 76-1731 productivity hacks case study business 76-1285 parenting tips step by step for startups 76-484 productivity hacks review for small business 76-1087 productivity hacks small business 76-553 TikTok marketing review America 76-1440 TikTok startups 76-1876 data science careers comparison for entrepreneurs

Critical Path Method Exercises Pmp Training :

Thermoset Injection Mold Design Tips Jan 30, 2017 — When designing a mold for an injection molded part, it is important to keep in mind that the goal is to produce parts with the best quality, ... Plenco Processing Guide The purpose of this manual is to serve as an information guide for thermoset product designers, mold designers, mold makers and molders. Thermoset Injection Mold Design Tips - Plenco Jul 12, 2015 — Sect 1 Glossary Of Thermoset Molding Terms - Plenco. Troubleshooting ... Page 5 and 6: In a vacuum vented mold, the cavity; Page 7 and 8 ... Thermoset Transfer Mold Design Tips When designing a mold for a transfer molded part, it is important to keep in mind that the goal is produce parts with the best quality in as short a cycle ... Injection Unit Design Tips Mar 16, 2015 — The following design suggestions are given to assist you in achieving the optimum processing window. Hopper. Hoppers on thermoset injection ... Thermoset Transfer Mold Design Tips - Plenco Oct 30, 2014 — Transfer Troubleshooting Guide - Plenco · Thermoset Injection Mold Design Tips - Plenco · Thermoset Compression Mold Design Tips - Plenco. Troubleshooting Guide for INJECTION MOLDING Phenolic ... Dec 3, 2014 — Check the vents and correct as needed. (See Section #6 "Thermoset Injection Mold Design Tips"). V. Watch the dropping of the

parts from the mold ... Philosophy of Troubleshooting BMC Injection Molding ... Mar 16, 2015 — (See Section #6,. "Thermoset Injection Mold Design Tips"). 5. Increase cure time. 6. Use shrink fixtures to hold the parts flat as they cool ... Molding Method Guide Plenco thermoset molding compounds can and are being successfully molded by cold powder compression, preheat compression, transfer and injection molding methods ... Philosophy of Troubleshooting Injection Molding Problems Dec 3, 2014 — (See Section #6,. "Thermoset Injection Mold Design Tips"). 2. Polish the mold. 3. Increase stock temperature by increasing back pressure and/or. Trust Me, I'm Lying: Confessions of a Media Manipulator The objective of Trust Me, I'm Lying: Confessions of a Media Manipulator, by: Ryan Holiday, is to reveal the insider views and information of the media ... Trust Me, I'm Lying Trust Me, I'm Lying: Confessions of a Media Manipulator is a book by Ryan Holiday chronicling his time working as a media strategist for clients including ... Trust Me, I'm Lying: Confessions of a Media Manipulator "Those in possession of absolute power can not only prophesy and make their prophecies come true, but they can also lie and make their lies come true." When ... Trust Me, I'm Lying: Confessions of a Media Manipulator Trust Me, I'm Lying was the first book to blow the lid off the speed and force at which rumors travel online—and get "traded up" the media ecosystem until they ... Trust Me, I'm Lying: Confessions of a Media Manipulator Trust Me, I'm Lying was the first book to blow the lid off the speed and force at which rumors travel online—and get "traded up" the media ecosystem until they ... Trust Me I'm Lying It's all the more relevant today. Trust Me, I'm Lying was the first book to blow the lid off the speed and force at which rumors travel online—and get "traded ... Trust Me, I'm Lying - Penguin Random House ... Trust Me, I'm Lying provides valuable food for thought regarding how we receive— and perceive— information." — New York Post. Author. Ryan Holiday is one of ... "Trust Me, I'm Lying: Confessions of a Media Manipulator" ... Jun 22, 2023 — The updated edition of "Trust Me, I am Lying" by Ryan Holiday describes why "the facts" often can't compete with the media narrative. Book Review: Trust me, I'm lying ... lies as Ryan Holiday is very subtly suggesting in his book, Trust Me, I'm Lying. Broadcast news stations are given FCC licenses. If ... Table of Contents: Trust me, I'm lying - Falvey Library Trust me, I'm lying : the tactics and confessions of a media manipulator /. An influential media strategist reveals how blogs are controlling the news in ... Japan by Rail: Includes Rail Route Guide and 30 City ... Use this comprehensive guide in conjunction with a rail pass to get the most out of a trip to Japan. • Practical information - planning your trip; when to go; ... Japan by Rail: Includes Rail Route Guide And 30 City ... Using this guide and a Japan Rail Pass, you can travel almost anywhere across all four main islands - cheaply and efficiently. Includes Rail Route Guide and 27 City G... by Ramsey Zarifeh ... Japan by Rail, 3rd: Includes Rail Route Guide and 27 City G... by Ramsey Zarifeh ; Item Number. 382448242513 ; ISBN. 9781905864393 ; EAN. 9781905864393 ; Accurate ... Japan by Rail: Includes Rail Route Guide And 30 City Guides Using this guide and a Japan Rail Pass, you can travel almost anywhere across all four main islands - cheaply and efficiently. This comprehensive guide is ... Japan by Rail: Includes Rail Route Guide and 30 City ... Sep 7, 2016 — Use this comprehensive guide in conjunction with a

rail pass to get the most out of a trip to Japan. - Practical information - planning your ... Japan by Rail, 3rd: Includes Rail Ro..., Ramsey Zarifeh ... Release Title. Japan by Rail, 3rd: Includes Rail Route Guide and 27 City Guides. Artist. Ramsey Zarifeh. Brand. N/A. Colour. N/A. Publication Year. 2012. 3rd Rail Japan by Rail, 3rd: Includes Rail Route Guide and 27 City Guides Paperback -. \$408. current price \$4.08. Japan by Rail, 3rd: Includes Rail Route Guide and 27 ... Japan by Rail by Ramsey Zarifeh Japan by Rail, 3rd: Includes Rail Route Guide and 27 City Guides. Ramsey ... Japan by Rail, 3rd: Includes Rail Route Guide and 27 City Guides. Ramsey Zarifeh. Japan by Rail ebook - The best guide to Explore ... The book contains detailed maps of Japan, with suggested itineraries, what do eat, historical and cultural background, mile-by-mile route guides, secret tips by ...