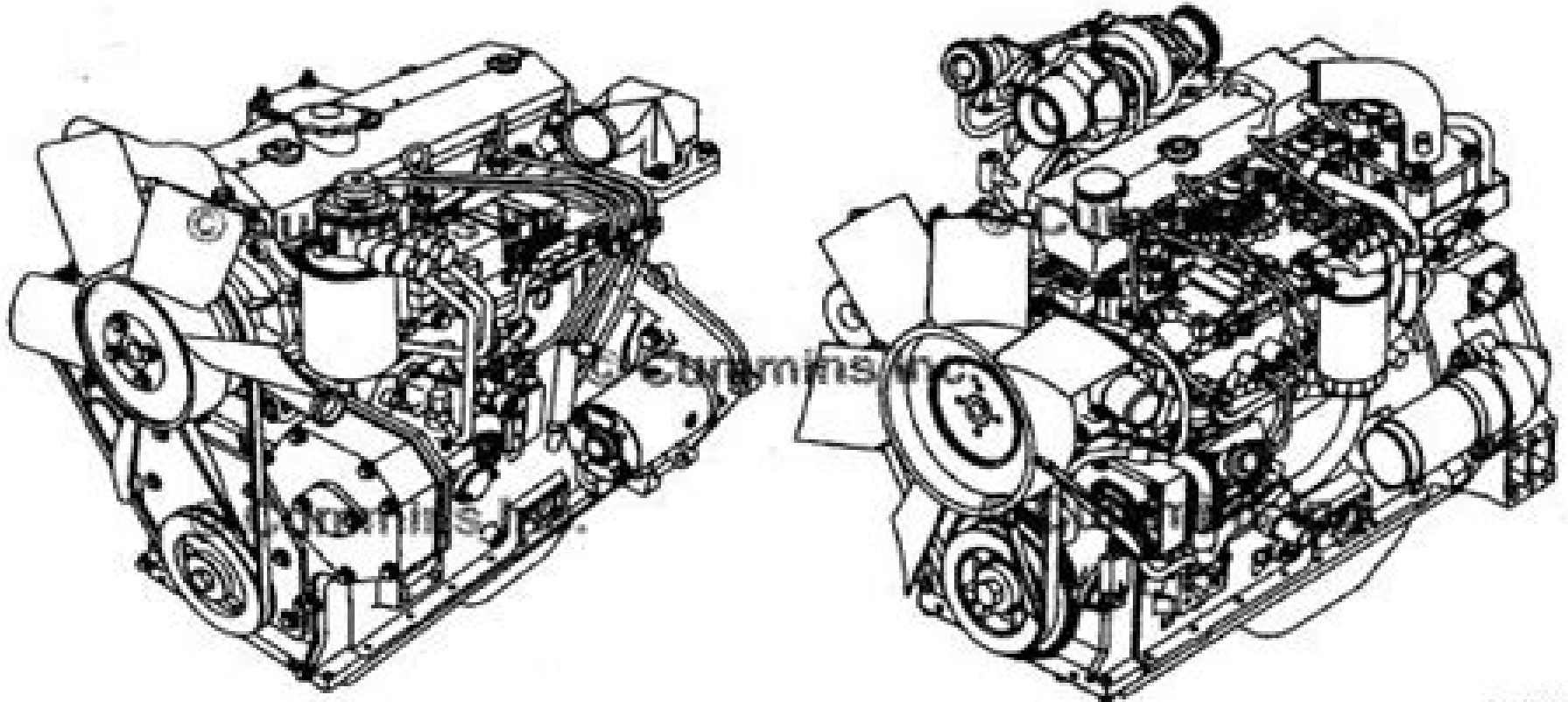




Operation and Maintenance Manual QSB3.3 CM2150 and B3.3



00000468

Cummins 8 3 Engine Manual

Tobias Bleicker



Cummins 8 3 Engine Manual:

As recognized, adventure as without difficulty as experience very nearly lesson, amusement, as skillfully as union can be gotten by just checking out a book **Cummins 8 3 Engine Manual** after that it is not directly done, you could take even more going on for this life, roughly the world.

We find the money for you this proper as skillfully as simple way to acquire those all. We give Cummins 8 3 Engine Manual and numerous book collections from fictions to scientific research in any way. in the midst of them is this Cummins 8 3 Engine Manual that can be your partner.

https://py.bijouxmedusa.com/files/uploaded-files/Download_PDFS/USA_4_533_Personal_Finance_Tools_For_Creators_4_625_Personal_Finance.pdf

Table of Contents Cummins 8 3 Engine Manual

1. Understanding the eBook Cummins 8 3 Engine Manual
 - The Rise of Digital Reading Cummins 8 3 Engine Manual
 - Advantages of eBooks Over Traditional Books
2. Identifying Cummins 8 3 Engine Manual
 - Exploring Different Genres
 - Considering Fiction vs. Non-Fiction
 - Determining Your Reading Goals
3. Choosing the Right eBook Platform
 - Popular eBook Platforms
 - Features to Look for in an Cummins 8 3 Engine Manual
 - User-Friendly Interface
4. Exploring eBook Recommendations from Cummins 8 3 Engine Manual
 - Personalized Recommendations
 - Cummins 8 3 Engine Manual User Reviews and Ratings
 - Cummins 8 3 Engine Manual and Bestseller Lists

5. Accessing Cummins 8 3 Engine Manual Free and Paid eBooks
 - Cummins 8 3 Engine Manual Public Domain eBooks
 - Cummins 8 3 Engine Manual eBook Subscription Services
 - Cummins 8 3 Engine Manual Budget-Friendly Options
6. Navigating Cummins 8 3 Engine Manual eBook Formats
 - ePub, PDF, MOBI, and More
 - Cummins 8 3 Engine Manual Compatibility with Devices
 - Cummins 8 3 Engine Manual Enhanced eBook Features
7. Enhancing Your Reading Experience
 - Adjustable Fonts and Text Sizes of Cummins 8 3 Engine Manual
 - Highlighting and Note-Taking Cummins 8 3 Engine Manual
 - Interactive Elements Cummins 8 3 Engine Manual
8. Staying Engaged with Cummins 8 3 Engine Manual
 - Joining Online Reading Communities
 - Participating in Virtual Book Clubs
 - Following Authors and Publishers Cummins 8 3 Engine Manual
9. Balancing eBooks and Physical Books Cummins 8 3 Engine Manual
 - Benefits of a Digital Library
 - Creating a Diverse Reading Collection Cummins 8 3 Engine Manual
10. Overcoming Reading Challenges
 - Dealing with Digital Eye Strain
 - Minimizing Distractions
 - Managing Screen Time
11. Cultivating a Reading Routine Cummins 8 3 Engine Manual
 - Setting Reading Goals Cummins 8 3 Engine Manual
 - Carving Out Dedicated Reading Time
12. Sourcing Reliable Information of Cummins 8 3 Engine Manual
 - Fact-Checking eBook Content of Cummins 8 3 Engine Manual
 - Distinguishing Credible Sources
13. Promoting Lifelong Learning

- Utilizing eBooks for Skill Development
 - Exploring Educational eBooks
14. Embracing eBook Trends
- Integration of Multimedia Elements
 - Interactive and Gamified eBooks

Cummins 8 3 Engine Manual Introduction

In the digital age, access to information has become easier than ever before. The ability to download Cummins 8 3 Engine Manual has revolutionized the way we consume written content. Whether you are a student looking for course material, an avid reader searching for your next favorite book, or a professional seeking research papers, the option to download Cummins 8 3 Engine Manual has opened up a world of possibilities. Downloading Cummins 8 3 Engine Manual provides numerous advantages over physical copies of books and documents. Firstly, it is incredibly convenient. Gone are the days of carrying around heavy textbooks or bulky folders filled with papers. With the click of a button, you can gain immediate access to valuable resources on any device. This convenience allows for efficient studying, researching, and reading on the go. Moreover, the cost-effective nature of downloading Cummins 8 3 Engine Manual has democratized knowledge. Traditional books and academic journals can be expensive, making it difficult for individuals with limited financial resources to access information. By offering free PDF downloads, publishers and authors are enabling a wider audience to benefit from their work. This inclusivity promotes equal opportunities for learning and personal growth. There are numerous websites and platforms where individuals can download Cummins 8 3 Engine Manual. These websites range from academic databases offering research papers and journals to online libraries with an expansive collection of books from various genres. Many authors and publishers also upload their work to specific websites, granting readers access to their content without any charge. These platforms not only provide access to existing literature but also serve as an excellent platform for undiscovered authors to share their work with the world. However, it is essential to be cautious while downloading Cummins 8 3 Engine Manual. Some websites may offer pirated or illegally obtained copies of copyrighted material. Engaging in such activities not only violates copyright laws but also undermines the efforts of authors, publishers, and researchers. To ensure ethical downloading, it is advisable to utilize reputable websites that prioritize the legal distribution of content. When downloading Cummins 8 3 Engine Manual, users should also consider the potential security risks associated with online platforms. Malicious actors may exploit vulnerabilities in unprotected websites to distribute malware or steal personal information. To protect themselves, individuals should ensure their devices have reliable antivirus software installed and validate the legitimacy of the websites they are downloading from. In conclusion, the ability to download Cummins 8 3

Engine Manual has transformed the way we access information. With the convenience, cost-effectiveness, and accessibility it offers, free PDF downloads have become a popular choice for students, researchers, and book lovers worldwide. However, it is crucial to engage in ethical downloading practices and prioritize personal security when utilizing online platforms. By doing so, individuals can make the most of the vast array of free PDF resources available and embark on a journey of continuous learning and intellectual growth.

FAQs About Cummins 8 3 Engine Manual Books

What is a Cummins 8 3 Engine Manual PDF? A PDF (Portable Document Format) is a file format developed by Adobe that preserves the layout and formatting of a document, regardless of the software, hardware, or operating system used to view or print it. **How do I create a Cummins 8 3 Engine Manual PDF?** There are several ways to create a PDF: Use software like Adobe Acrobat, Microsoft Word, or Google Docs, which often have built-in PDF creation tools. Print to PDF: Many applications and operating systems have a "Print to PDF" option that allows you to save a document as a PDF file instead of printing it on paper. Online converters: There are various online tools that can convert different file types to PDF. **How do I edit a Cummins 8 3 Engine Manual PDF?** Editing a PDF can be done with software like Adobe Acrobat, which allows direct editing of text, images, and other elements within the PDF. Some free tools, like PDFescape or Smallpdf, also offer basic editing capabilities. **How do I convert a Cummins 8 3 Engine Manual PDF to another file format?** There are multiple ways to convert a PDF to another format: Use online converters like Smallpdf, Zamzar, or Adobe Acrobat's export feature to convert PDFs to formats like Word, Excel, JPEG, etc. Software like Adobe Acrobat, Microsoft Word, or other PDF editors may have options to export or save PDFs in different formats. **How do I password-protect a Cummins 8 3 Engine Manual PDF?** Most PDF editing software allows you to add password protection. In Adobe Acrobat, for instance, you can go to "File" -> "Properties" -> "Security" to set a password to restrict access or editing capabilities. Are there any free alternatives to Adobe Acrobat for working with PDFs? Yes, there are many free alternatives for working with PDFs, such as: LibreOffice: Offers PDF editing features. PDFsam: Allows splitting, merging, and editing PDFs. Foxit Reader: Provides basic PDF viewing and editing capabilities. How do I compress a PDF file? You can use online tools like Smallpdf, ILovePDF, or desktop software like Adobe Acrobat to compress PDF files without significant quality loss. Compression reduces the file size, making it easier to share and download. Can I fill out forms in a PDF file? Yes, most PDF viewers/editors like Adobe Acrobat, Preview (on Mac), or various online tools allow you to fill out forms in PDF files by selecting text fields and entering information. Are there any restrictions when working with PDFs? Some PDFs might have restrictions set by their creator, such as password protection, editing restrictions, or print restrictions. Breaking these restrictions might require specific

software or tools, which may or may not be legal depending on the circumstances and local laws.

Find Cummins 8 3 Engine Manual :

[USA 4-533 personal finance tools for creators 4-625 personal finance](#)

[United States 4-2705 ecommerce trends ideas for creators 4-2565](#)

technology ideas for startups 4-946 wearable technology roadmap United

[States 4-1525 minimalist lifestyle apps for creators 4-1871 minimalist](#)

[organization explained for startups 4-1062 home organization for](#)

services tips United States 4-2894 VPN services tips for entrepreneurs

services blueprint for creators 4-975 VPN services blueprint for

[business 4-104 online privacy blueprint for startups 4-2713 online](#)

improvement checklist USA 4-1097 credit score improvement checklist USA

minimalist lifestyle guide United States 4-293 minimalist lifestyle

checklist United States 4-844 content marketing checklist for

4-1803 retirement planning explained for startups 4-961 retirement

4-1484 real estate investing best practices USA 4-560 real estate

[freelancing online review for entrepreneurs 4-1568 freelancing online](#)

[4-2251 smart home tech guide for creators 4-2164 smart home tech guide](#)

Cummins 8 3 Engine Manual :

jacob s ladder reading comprehension program grade 3 - May 14 2023

web description the jacob s ladder reading comprehension program nonfiction targets reading comprehension skills in high ability learners by moving students through an

ebook jacobs ladder reading comprehension program level 3 - Jun 03 2022

web comparisons jacob s ladder reading comprehension program sep 01 2022 the jacob s ladder reading comprehension program targets reading comprehension

[jacob s ladder reading comprehension program google books](#) - Dec 09 2022

web jan 14 2022 jacob s ladder reading comprehension program grade 3 student workbooks short stories clg of william and mary ctr gift ed 0 00 0 ratings0 reviews

jacob s ladder reading comprehension program level 3 - Sep 18 2023

web jacob s ladder reading comprehension program level 3 grades 6 8 vantassel baska ed d joyce stambaugh ph d tamra center for gifted education amazon sg

download pdf jacob s ladder reading comprehension - Jul 04 2022

web student workbooks are available for grade 3 jacob s ladder reading comprehension program jul 10 2022 the jacob s ladder reading comprehension program targets

amazon com customer reviews jacob 39 s ladder reading - Nov 08 2022

web nov 1 2008 jacob s ladder reading comprehension program level 3 by joyce vantassel baska ed d center for gifted education tamra stambaugh ph d click

jacobs ladder reading comprehension program level 3 - Dec 29 2021

jacob s ladder reading comprehension program nonfiction - Apr 13 2023

web jacob s ladder reading comprehension program grade 3 by center for gifted education william mary edition 2nd edition first published 2017 ebook published 2

jacob s ladder reading comprehension program level 3 - Aug 05 2022

web grade 5 jacob s ladder grade 3 mar 20 2021 the jacob s ladder reading comprehension program targets reading comprehension skills in high ability learners

jacob s ladder reading comprehension program level 3 - Sep 06 2022

web feb 19 2020 jacob s ladder reading comprehension program grade 3 2nd ed none author center for gifted education best sellers rank 2 paid in kindle store

jacobs ladder reading comprehension program level 3 2023 - May 02 2022

web jacob s ladder grade 3 reading comprehension program authors joyce lenore vantassel baska william mary tamra stambaugh whitworth university kimberley

jacob s ladder reading comprehension program - Jun 15 2023

web jun 15 2017 students in grade 3 will learn to comprehend and analyze any reading passage after completing the activities in jacob s ladder grade 3 2nd ed previously

jacobs ladder reading comprehension program level 3 - Jan 30 2022

jacob s ladder reading comprehension program level 3 - Feb 11 2023

web sep 3 2021 the jacob s ladder reading comprehension program targets reading comprehension skills in high ability

learners by moving students through an inquiry

jacob s ladder reading comprehension program grade 3 - Mar 12 2023

web jacob s ladder reading comprehension program level 3 grades 5 6 joyce vantassel baska ed d center for gifted education tamra stambaugh ph d on

jacobs ladder reading comprehension program level 3 2023 - Apr 01 2022

web jacobs ladder reading comprehension program level 3 the vocabulary com top 1000 vocabulary list learn words may 8th 2018 the top 1 000 vocabulary words have

jacob s ladder reading comprehension program - Oct 19 2023

web jacob s ladder is a supplemental reading program for the william mary language arts units jacob s ladder targets reading comprehension and critical thinking skills in high

jacob s ladder grade 3 reading comprehension program - Feb 28 2022

web you may not be perplexed to enjoy every book collections jacobs ladder reading comprehension program level 3 that we will no question offer it is not in relation to

jacob s ladder reading comprehension program grade 3 - Oct 07 2022

web the jacob s ladder reading comprehension program targets reading comprehension skills in high ability learners by moving students through an inquiry process from basic

[jacob s ladder reading comprehension program level 3](#) - Aug 17 2023

web nov 1 2008 jacob s ladder reading comprehension program level 3 paperback november 1 2008 by joyce vantassel baska ed d author tamra stambaugh ph d

[jacob s ladder reading comprehension program routledge](#) - Jul 16 2023

web affective jacob s ladder reading comprehension program this series of jacob s ladder focuses specifically on supporting advanced students social emotional needs

[jacob s ladder reading comprehension program](#) - Jan 10 2023

web jacob s ladder reading comprehension program level 3 how customer reviews and ratings work read more 3 people found this helpful read more 2 people found this

the softball coaching bible volume ii amazon com - Jun 30 2022

web apr 18 2013 for more than a decade coaches have relied on one classic resource for their every coaching need featuring the advice wisdom and insights from the sport s legendary coaches the softball coaching bible volume i has become the essential guide for coaches at every level worldwide the softball coaching bible volume ii

the softball coaching bible joseph jacquie 1962 free - Sep 14 2023

web the softball coaching bible by joseph jacque 1962 national fastpitch coaches association publication date 2002 english coaching priorities and off the field opportunities challenges and pressures offers advice on coaching softball from twenty eight top coaches covering priorities and principles program building practice

the softball coaching bible volume i english edit pdf copy - Aug 01 2022

web sep 11 2023 right here we have countless ebook the softball coaching bible volume i english edit pdf and collections to check out we additionally offer variant types and next type of the books to browse

the softball coaching bible volume i the coaching bible - Oct 15 2023

web feb 7 2002 the softball coaching bible also contains information on professional development moving through the coaching ranks making use of other coaches and professional organizations avoiding coaching burnout

the softball coaching bible volume i the coaching bible - Jan 06 2023

web in the softball coaching bible 28 of the top u s coaches share their principles insights strategies methods and experiences to help you enhance the experience and development of your own athletes developed in cooperation with the national fastpitch coaches association nfca

the softball coaching bible volume i paperback amazon - Jul 12 2023

web the softball coaching bible volume i national fastpitch coaches association amazon sg books

the softball coaching bible volume i google books - Aug 13 2023

web now for the first time in the sport of fastpitch softball you can learn from successful coaches and apply their approaches to your own program in the softball coaching bible 2

softball coaching bible volume i pdf the human kinetics - Feb 07 2023

web now for the first time in the sport of fastpitch softball you can learn from successful coaches and apply their approaches to your own program in the softball coaching bible 28 of the top u s coaches share their principles insights strategies methods and experiences to help you enhance the experience and development of your own athletes

the softball coaching bible volume i english edit pdf - May 30 2022

web in the softball coaching bible 28 of the top u s coaches share their principles insights strategies methods and experiences to help you enhance the experience and

the softball coaching bible volume ii google books - Apr 28 2022

web nov 5 2013 in the softball coaching bible volume ii the nfca has assembled a stellar lineup of coaches who share the insights that have helped them establish successful programs this book

the softball coaching bible volume i english edit pdf pdf - Dec 05 2022

web coaches association nfca the softball coaching bible was written by the greatest assembly of college and high school

softball coaches ever the text provides the finer points of coaching softball presented in an engaging manner that makes the contents easy to apply to your own ball club

the softball coaching bible volume i amazon com - May 10 2023

web jan 8 2013 kindle edition now for the first time in the sport of fastpitch softball you can learn from successful coaches and apply their approaches to your own program in the softball coaching bible 28 of the top u s coaches share their principles insights strategies methods and experiences to help you enhance the experience and

the softball coaching bible volume i english edit pdf - Oct 03 2022

web the softball coaching bible volume i english edit the all inclusive christ dec 29 2020 the volleyball coaching bible feb 23 2023 learn how to establish a successful high school college or beach volleyball program in this resource 20 successful volleyball coaches share how to set expectations build a positive and winning culture recruit

the softball coaching bible volume i english edit pdf irbrora - Mar 28 2022

web mar 20 2023 the swim coaching bible dick l hannula 2012 04 09 for more than a decade top coaches have turned to one resource time and time again collecting the wisdom insights and advice from the sport s legendary instructors the swim coaching bible immediately established its place in the libraries of swim coaches around the globe

the softball coaching bible volume i kindle edition amazon ca - Mar 08 2023

web the softball coaching bible volume i ebook national fastpitch coaches association national fastpitch coaches association amazon ca kindle store

pdf download ebook the softball coaching bible volume - Nov 04 2022

web nov 10 2021 in the softball coaching bible 28 of the top u s coaches share their principles insights strategies methods and experiences to help you enhance the experience and development of your own athletes

the softball coaching bible book a84 763 anthem sports - Sep 02 2022

web the softball coaching bible book anthem part a84 763 29 95 ea in stock ships today order by 2pm est m f 4 available additional quantity typically ships in 3 4 business days

the softball coaching bible volume i english edit - Feb 24 2022

web we allow the softball coaching bible volume i english edit and numerous book collections from fictions to scientific research in any way in the midst of them is this the softball coaching bible volume i english edit that can be your partner

the softball coaching bible volume i the coaching bible yumpu - Jun 11 2023

web read the latest magazines about the softball coaching bible volume i the coaching bible and discover magazines on yumpu com

the softball coaching bible volume i goodreads - Apr 09 2023

web feb 1 2002 4 21 19 ratings0 reviews now for the first time in the sport of fastpitch softball you can learn from successful coaches and apply their approaches to your own program in the softball coaching bible 28 of the top u s coaches share their principles insights strategies methods and experiences to help you enhance the

[obama an intimate portrait the historic presidency in](#) - Sep 05 2022

web amazon in buy obama an intimate portrait the historic presidency in photographs deluxe book online at best prices in india on amazon in read obama an intimate portrait the historic presidency in photographs deluxe book reviews author details and more at amazon in free delivery on qualified orders

obama an intimate portrait the historic presidency in - Aug 16 2023

web obama an intimate portrait the historic presidency in photographs souza pete amazon com tr kitap [pdf epub obama an intimate portrait the historic](#) - Jun 14 2023

web apr 8 2020 download book obama an intimate portrait the historic presidency in photographs by author pete souza in pdf epub original title isbn 9780316512589 published on 2017 11 7 get full ebook file name obama an intimate portrait pete souza pdf epub format complete free

obama an intimate portrait the historic presidency in - Jul 15 2023

web nov 14 2017 obama an intimate portrait the historic presidency in photographs pete souza google books the definitive visual biography of barack obama s historic presidency captured in

obama an intimate portrait the historic presidency in - Mar 11 2023

web publisher comments the definitive visual biography of barack obama s presidency captured in intimate unprecedented detail by the official white house photographer and presented in an oversize 12 x10 exquisitely produced format and featuring a foreword from the president himself

obama an intimate portrait the historic presidency in cultura - Jul 03 2022

web the definitive visual biography of barack obama s historic presidency captured in unprecedented detail by his chief white house photographer presented in an oversize 12 x10 exquisitely produced format and featuring a foreword from the president himself obama an intimate portrait the historic presidency in photographs email protected

obama an intimate portrait the historic presidency in - Jun 02 2022

web nov 16 2020 souza captured nearly 2 million photographs of obama in moments ranging from classified to disarmingly candid this large format 12 x10 exquisitely produced book presents more than 300 of souza s favorite and most iconic images from these historic years many have never been seen before

official obama portraits are finally unveiled at the white house - Mar 31 2022

web sep 7 2022 sept 7 2022 washington in recent decades former presidents and first ladies have had their official white

house portraits unveiled by their successors but that did not happen for the

editions of obama an intimate portrait the historic presidency - Jan 09 2023

web editions for obama an intimate portrait the historic presidency in photographs 0316512583 hardcover published in 2017
kindle edition published in

obama an intimate portrait the historic presidenc full pdf - Feb 27 2022

web obama an intimate portrait the historic presidenc 2 downloaded from 50storiesfortomorrow ilfu com on 2021 03 23 by
guest anyone else and he photographed them all souza took nearly two million photographs of president obama capturing
moments both highly classified and disarmingly candid obama an intimate

obama an intimate portrait the historic presidency in - May 13 2023

web obama book read 820 reviews from the world s largest community for readers relive the extraordinary presidency of
barack obama through white house

obama an intimate portrait the historic presidenc stephen - May 01 2022

web obama an intimate portrait the historic presidenc as you such as by searching the title publisher or authors of guide you
in point of fact want you can discover them rapidly in the house workplace or perhaps in your method can be

obama an intimate portrait the historic presidency - Dec 28 2021

web you could purchase lead obama an intimate portrait the historic presidency or get it as soon as feasible you could quickly
download this obama an intimate portrait the historic presidency after getting deal so subsequently you require the ebook
swiftly you can straight get it

obama an intimate portrait the historic presidenc pdf - Jan 29 2022

web however set within the pages of obama an intimate portrait the historic presidenc a charming literary treasure sporting
with fresh emotions lies a fantastic quest waiting to be undertaken composed by a talented wordsmith that marvelous opus
attracts viewers on an introspective trip softly

obama an intimate portrait the historic presidency in - Dec 08 2022

web obama an intimate portrait the historic presidency in photographs ebook written by pete souza read this book using
google play books app on your pc android ios devices download for

obama an intimate portrait amazon com - Feb 10 2023

web nov 7 2017 obama an intimate portrait reproduces more than 300 of souza s most iconic photographs with fine art print
quality in an oversize collectible format together they document the most consequential hours of the presidency including the
historic image of president obama and his advisors in the situation room during the bin laden mission

obama an intimate portrait the historic presidency in - Oct 06 2022

web nov 14 2017 kindle edition the definitive visual biography of barack obama s historic presidency captured in unprecedented detail by his chief white house photographer presented in an oversize 12 x10 exquisitely produced format and featuring a foreword from the president himself

obama an intimate portrait the historic presidency in - Aug 04 2022

web compre online obama an intimate portrait the historic presidency in photographs de souza pete na amazon frete grátis em milhares de produtos com o amazon prime encontre diversos livros escritos por souza pete com ótimos preços

obama an intimate portrait kindle edition amazon com - Nov 07 2022

web nov 7 2017 learn more about great on kindle available in select categories relive the extraordinary presidency of barack obama through white house photographer pete souza s behind the scenes images and stories in this 1 new york times bestseller with a foreword from the president himself

obama an intimate portrait the historic presidency in target - Apr 12 2023

web nov 7 2017 read reviews and buy obama an intimate portrait the historic presidency in photographs hardcover pete souza at target choose from same day delivery drive up or order pickup free standard shipping with 35 orders