



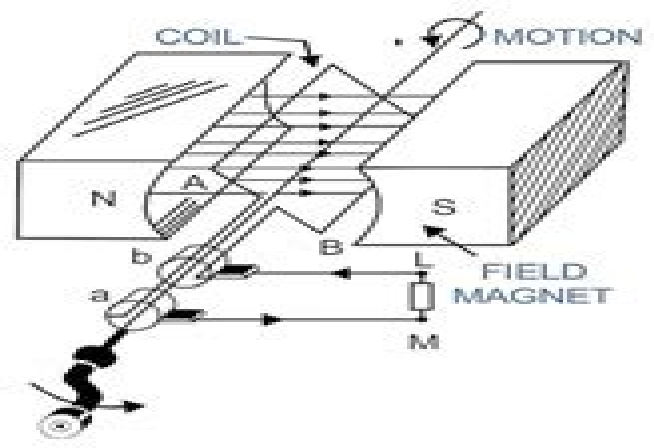
AICTE RECOMMENDED TEXTBOOK

New Education Policy 2020

BASIC ELECTRICAL ENGINEERING

| ENGLISH EDITION |

S. K. SAHDEV



KHANNA PUBLISHING

Fundamental Of Electrical Engg By S K Sahdev

Tobias Bleicker



Fundamental Of Electrical Engg By S K Sahdev:

Basic Electrical Engineering (Vel Tech) SK Sahdev, Attuned to the needs of undergraduate students of engineering in their first year Basic Electrical Engineering enables them to build a strong foundation in the subject A large number of real world examples illustrate the applications of complex theories The book comprehensively covers all the areas taught in a one semester course and serves as an ideal study material on the subject *Fundamentals of Electrical Engineering* Dr. Yaduvir Singh, Mandhir Verma, 2010-02 **Fundamentals of Electrical Engineering & Electronics** S. K. Sahdev, 1997 **Basic Electrical Engineering** Ritu Sahdev, Although a number of books written by various authors on the subject are available in the market However the author feels that this book will facilitate the students not only to prepare for the regular University examinations The book is also quite suitable for the professionals since many live examples have been incorporated The book has the following exclusive features i The Learning objectives of each chapter have been incorporated in the beginning to develop curiosity among the students ii Practice exercise have been added in all the chapters after suitable intervals to impart necessary practice iii At the end of each chapter its summary highlights are given This will enable the students to revise the subject matter quickly iv A number of short answer and test questions have been given at the end of each chapter While answering these questions the readers will have to think deep into the subject matter This will improve their analytical approach Consequently the students readers will be in position to respond in a better way while appearing before the selection board or to deal with practical problems v A sufficient number of objective type questions MCQ have been given at the end of each chapter These questions will help the students to perform better in the competitive examinations vi The subject matter is treated in a simple and lucid manner so that an average student can understand the subject easily Although typical mathematical expressions are avoided but simple mathematical relations are used for better explanation and understanding **Basic Electrical and Instrumentation Engineering** Sivaraman Palanisamy, Sharmeela Chenniappan, A. Thaiyal Nayagi, R. Mahendran, 2021-01-13 Electrical and instrumentation engineering is changing rapidly and it is important for the veteran engineer in the field not only to have a valuable and reliable reference work which he or she can consult for basic concepts but also to be up to date on any changes to basic equipment or processes that might have occurred in the field Covering all of the basic concepts from three phase power supply and its various types of connection and conversion to power equation and discussions of the protection of power system to transformers voltage regulation and many other concepts this volume is the one stop go to for all of the engineer s questions on basic electrical and instrumentation engineering There are chapters covering the construction and working principle of the DC machine all varieties of motors fundamental concepts and operating principles of measuring and instrumentation both from a high end point of view and the point of view of developing countries emphasizing low cost methods A valuable reference for engineers scientists chemists and students this volume is applicable to many different fields across many different industries at all levels It is a must have

for any library Basic Electrical Engineering A. Kasatkin,1980 Basic Electrical Engineering Aleksandr Sergeevich Kasatkin,Mikhail Aleksandrovich Perekalin,1965 *Basic Electrical Engineering* David E. Higginbotham,1967 **Basic Electrical Engineering** , **Publisher's Monthly** ,1995 **Basic Electrical and Electronics Engineering: S.K. Bhattacharya**,2011 Basic Electrical and Electronics Engineering provides an overview of the basics of electrical and electronic engineering that are required at the undergraduate level The book allows students outside electrical and electronics engineering to easily Basic Electrical Engineering (Vel Tech). Sahdev SK.,2016 Attuned to the needs of undergraduate students of engineering in their first year Basic Electrical Engineering enables them to build a strong foundation in the subject A large number of real world examples illustrate the applications of complex theories The book comprehensively covers all the areas taught in a one semester course and serves as an ideal study material on the subject

Electrical Machines S. K. Sahdev,2017-11-24 An extensive and easy to read guide covering the fundamental concepts of electrical machines highlighting transformers motors generators and magnetic circuits It provides in depth discussion on construction working principles and applications of various electrical machines The design of transformers functioning of generators and performance of induction motors are explained through descriptive illustrations step by step solved examples and mathematical derivations A separate chapter on special purpose machines offers important topics such as servomotors brushless motors and stepper motors which is useful from industrial perspective to build a customized machine Supported by 400 solved examples 600 figures and more than 1000 self assessment exercises this is an ideal text for one or two semester undergraduate courses on electrical machines under electrical and electronics engineering **Fundamentals Of Electrical Engg. & Electronics** J. B. Gupta,2009 **Basic Electrical Engineering** Mehta V.K. & Mehta Rohit,2008 For close to 30 years Basic Electrical Engineering has been the go to text for students of Electrical Engineering Emphasis on concepts and clear mathematical derivations simple language coupled with systematic development of the subject aided by illustrations makes this text a fundamental read on the subject Divided into 17 chapters the book covers all the major topics such as DC Circuits Units of Work Power and Energy Magnetic Circuits fundamentals of AC Circuits and Electrical Instruments and Electrical Measurements in a straightforward manner for students to understand **Basic Electrical Engineering** R. K. Rajput,2009-02 **Fundamentals of Electrical Engineering and Electronics** BL Theraja,2006-06 This Book extensive pruning of the solved Examples in the text Majority of the old examples have been replaced by questions set in the latest examination papers of different engineering colleges and technical institutions **FUNDAMENTALS OF ELECTRICAL ENGINEERING, THIRD EDITION** PRASAD, RAJENDRA,2014-01-16 This comprehensive book in its third edition continues to provide an in depth analysis on the fundamental principles of electrical engineering The exposition of these principles is fully reinforced by many practical problems that illustrate the concepts discussed Beginning with a precise and quantitative detailing of the basics of electrical engineering the text moves on to explain the fundamentals of circuit theory electrostatic

and electromagnetism and further details on the concept of electromechanical energy conversion The book provides an elaborate and systematic analysis of the working principle applications and construction of each electrical machine In addition to circuit responses under steady state conditions the book contains the chapters on dynamic responses of networks and analysis of a three phase circuit In this third edition two chapters on Electrical Power System and Domestic Lighting have been added to fulfil the syllabus requirement of various universities The chapters discuss different methods of generating electrical power economic consideration and tariff of power system illumination light sources used in lighting systems conductor size and insulation lighting accessories used in wiring systems fuses and MCBs meter board main switch and distribution board earthing methods types of wiring wiring system for domestic use and cost estimation of wiring system Designed as a text for the undergraduate students of almost all branches of engineering the book will also be useful to the practising engineers as reference Key Features Discusses statements with numerical examples Includes answers to the numerical problems at the end of the book Enhances learning of the basic working principles of electrical machines by using a number of supporting examples review questions and illustrative examples

Experiments In Basic Electrical Engineering S.K. Bhattacharya,2007 It Has Often Been Experienced That Students Are Required To Perform Experiments On Certain Topic Before The Relevant Theory Has Been Taught In The Class A Laboratory Manual Which In Addition To A Set Of Instructions For Performing Experiments Includes Related Theory In Brief Could Help Students Understand Experiments Better In Response Of Demand From A Large Number Of States For An Appropriate Aboratory Manual In Basic Electricity And Electrical Measurements The T T T I Chandigarh Has Prepared This Manual Which Has Been Tried Out In Various Polytechnics And Improved Based On The Feedback The Basic Objective Of The Manual Is To Encourage Students To Perform Experiments Independently And Purposefully The Manual Organises The Information To Enable The Students To Verify Known Concepts And Principles And To Follow Certain Procedures And Practices And Thereby Acquire Relevant Skills Detailed Instructions For Carrying Out Each Experiment Alongwith Relevant Theory In Brief Have Been Given The Objectives For Performing An Experiment Have Been Included At The Beginning Of Each Experiment A List Of Questions Given At The End Of Each Experiment Will Help Students Evaluate His Own Understanding The Manual Also Includes Guidelines For Students And Teachers For Its Effective Use An Assessment Proforma Given At The Beginning Of The Manual May Be Used By The Teachers In Evaluating The Students

Basic Electrical and Electronics Engineering R.K. Rajput,2007

This Captivating World of E-book Books: A Detailed Guide Unveiling the Benefits of E-book Books: A Realm of Convenience and Flexibility E-book books, with their inherent portability and simplicity of availability, have liberated readers from the constraints of hardcopy books. Gone are the days of lugging cumbersome novels or carefully searching for particular titles in shops. Kindle devices, stylish and portable, effortlessly store an extensive library of books, allowing readers to indulge in their preferred reads anytime, everywhere. Whether commuting on a busy train, relaxing on a sun-kissed beach, or just cozying up in bed, Kindle books provide an exceptional level of ease. A Reading Universe Unfolded: Exploring the Wide Array of Kindle Fundamental Of Electrical Engg By S K Sahdev Fundamental Of Electrical Engg By S K Sahdev The E-book Shop, a virtual treasure trove of literary gems, boasts an extensive collection of books spanning varied genres, catering to every readers taste and preference. From gripping fiction and thought-provoking non-fiction to classic classics and contemporary bestsellers, the Kindle Shop offers an unparalleled abundance of titles to discover. Whether seeking escape through immersive tales of imagination and adventure, diving into the depths of past narratives, or broadening ones understanding with insightful works of science and philosophy, the Kindle Shop provides a gateway to a literary universe brimming with endless possibilities. A Transformative Factor in the Literary Scene: The Enduring Impact of E-book Books Fundamental Of Electrical Engg By S K Sahdev The advent of E-book books has undoubtedly reshaped the bookish landscape, introducing a paradigm shift in the way books are released, disseminated, and consumed. Traditional publication houses have embraced the digital revolution, adapting their approaches to accommodate the growing need for e-books. This has led to a surge in the accessibility of Kindle titles, ensuring that readers have access to a wide array of bookish works at their fingertips. Moreover, Kindle books have democratized access to literature, breaking down geographical limits and providing readers worldwide with equal opportunities to engage with the written word. Regardless of their location or socioeconomic background, individuals can now engross themselves in the intriguing world of books, fostering a global community of readers. Conclusion: Embracing the E-book Experience Fundamental Of Electrical Engg By S K Sahdev E-book books Fundamental Of Electrical Engg By S K Sahdev, with their inherent convenience, flexibility, and wide array of titles, have undoubtedly transformed the way we encounter literature. They offer readers the liberty to explore the boundless realm of written expression, anytime, everywhere. As we continue to navigate the ever-evolving online landscape, E-book books stand as testament to the enduring power of storytelling, ensuring that the joy of reading remains accessible to all.

<https://py.bijouxmedusa.com/data/virtual-library/HomePages/startups%202022%202904%20interview%20tips%20review%20united%20states%202022%20210%20interview.pdf>

Table of Contents Fundamental Of Electrical Engg By S K Sahdev

1. Understanding the eBook Fundamental Of Electrical Engg By S K Sahdev
 - The Rise of Digital Reading Fundamental Of Electrical Engg By S K Sahdev
 - Advantages of eBooks Over Traditional Books
2. Identifying Fundamental Of Electrical Engg By S K Sahdev
 - Exploring Different Genres
 - Considering Fiction vs. Non-Fiction
 - Determining Your Reading Goals
3. Choosing the Right eBook Platform
 - Popular eBook Platforms
 - Features to Look for in an Fundamental Of Electrical Engg By S K Sahdev
 - User-Friendly Interface
4. Exploring eBook Recommendations from Fundamental Of Electrical Engg By S K Sahdev
 - Personalized Recommendations
 - Fundamental Of Electrical Engg By S K Sahdev User Reviews and Ratings
 - Fundamental Of Electrical Engg By S K Sahdev and Bestseller Lists
5. Accessing Fundamental Of Electrical Engg By S K Sahdev Free and Paid eBooks
 - Fundamental Of Electrical Engg By S K Sahdev Public Domain eBooks
 - Fundamental Of Electrical Engg By S K Sahdev eBook Subscription Services
 - Fundamental Of Electrical Engg By S K Sahdev Budget-Friendly Options
6. Navigating Fundamental Of Electrical Engg By S K Sahdev eBook Formats
 - ePub, PDF, MOBI, and More
 - Fundamental Of Electrical Engg By S K Sahdev Compatibility with Devices
 - Fundamental Of Electrical Engg By S K Sahdev Enhanced eBook Features
7. Enhancing Your Reading Experience
 - Adjustable Fonts and Text Sizes of Fundamental Of Electrical Engg By S K Sahdev
 - Highlighting and Note-Taking Fundamental Of Electrical Engg By S K Sahdev
 - Interactive Elements Fundamental Of Electrical Engg By S K Sahdev

8. Staying Engaged with Fundamental Of Electrical Engg By S K Sahdev
 - Joining Online Reading Communities
 - Participating in Virtual Book Clubs
 - Following Authors and Publishers Fundamental Of Electrical Engg By S K Sahdev
9. Balancing eBooks and Physical Books Fundamental Of Electrical Engg By S K Sahdev
 - Benefits of a Digital Library
 - Creating a Diverse Reading Collection Fundamental Of Electrical Engg By S K Sahdev
10. Overcoming Reading Challenges
 - Dealing with Digital Eye Strain
 - Minimizing Distractions
 - Managing Screen Time
11. Cultivating a Reading Routine Fundamental Of Electrical Engg By S K Sahdev
 - Setting Reading Goals Fundamental Of Electrical Engg By S K Sahdev
 - Carving Out Dedicated Reading Time
12. Sourcing Reliable Information of Fundamental Of Electrical Engg By S K Sahdev
 - Fact-Checking eBook Content of Fundamental Of Electrical Engg By S K Sahdev
 - Distinguishing Credible Sources
13. Promoting Lifelong Learning
 - Utilizing eBooks for Skill Development
 - Exploring Educational eBooks
14. Embracing eBook Trends
 - Integration of Multimedia Elements
 - Interactive and Gamified eBooks

Fundamental Of Electrical Engg By S K Sahdev Introduction

In today's digital age, the availability of Fundamental Of Electrical Engg By S K Sahdev books and manuals for download has revolutionized the way we access information. Gone are the days of physically flipping through pages and carrying heavy textbooks or manuals. With just a few clicks, we can now access a wealth of knowledge from the comfort of our own homes or on the go. This article will explore the advantages of Fundamental Of Electrical Engg By S K Sahdev books and manuals for download, along with some popular platforms that offer these resources. One of the significant advantages of Fundamental

Of Electrical Engg By S K Sahdev books and manuals for download is the cost-saving aspect. Traditional books and manuals can be costly, especially if you need to purchase several of them for educational or professional purposes. By accessing Fundamental Of Electrical Engg By S K Sahdev versions, you eliminate the need to spend money on physical copies. This not only saves you money but also reduces the environmental impact associated with book production and transportation. Furthermore, Fundamental Of Electrical Engg By S K Sahdev books and manuals for download are incredibly convenient. With just a computer or smartphone and an internet connection, you can access a vast library of resources on any subject imaginable. Whether you're a student looking for textbooks, a professional seeking industry-specific manuals, or someone interested in self-improvement, these digital resources provide an efficient and accessible means of acquiring knowledge. Moreover, PDF books and manuals offer a range of benefits compared to other digital formats. PDF files are designed to retain their formatting regardless of the device used to open them. This ensures that the content appears exactly as intended by the author, with no loss of formatting or missing graphics. Additionally, PDF files can be easily annotated, bookmarked, and searched for specific terms, making them highly practical for studying or referencing. When it comes to accessing Fundamental Of Electrical Engg By S K Sahdev books and manuals, several platforms offer an extensive collection of resources. One such platform is Project Gutenberg, a nonprofit organization that provides over 60,000 free eBooks. These books are primarily in the public domain, meaning they can be freely distributed and downloaded. Project Gutenberg offers a wide range of classic literature, making it an excellent resource for literature enthusiasts. Another popular platform for Fundamental Of Electrical Engg By S K Sahdev books and manuals is Open Library. Open Library is an initiative of the Internet Archive, a non-profit organization dedicated to digitizing cultural artifacts and making them accessible to the public. Open Library hosts millions of books, including both public domain works and contemporary titles. It also allows users to borrow digital copies of certain books for a limited period, similar to a library lending system. Additionally, many universities and educational institutions have their own digital libraries that provide free access to PDF books and manuals. These libraries often offer academic texts, research papers, and technical manuals, making them invaluable resources for students and researchers. Some notable examples include MIT OpenCourseWare, which offers free access to course materials from the Massachusetts Institute of Technology, and the Digital Public Library of America, which provides a vast collection of digitized books and historical documents. In conclusion, Fundamental Of Electrical Engg By S K Sahdev books and manuals for download have transformed the way we access information. They provide a cost-effective and convenient means of acquiring knowledge, offering the ability to access a vast library of resources at our fingertips. With platforms like Project Gutenberg, Open Library, and various digital libraries offered by educational institutions, we have access to an ever-expanding collection of books and manuals. Whether for educational, professional, or personal purposes, these digital resources serve as valuable tools for continuous learning and self-improvement. So why not take advantage of the vast world

of Fundamental Of Electrical Engg By S K Sahdev books and manuals for download and embark on your journey of knowledge?

FAQs About Fundamental Of Electrical Engg By S K Sahdev Books

What is a Fundamental Of Electrical Engg By S K Sahdev PDF? A PDF (Portable Document Format) is a file format developed by Adobe that preserves the layout and formatting of a document, regardless of the software, hardware, or operating system used to view or print it. **How do I create a Fundamental Of Electrical Engg By S K Sahdev PDF?** There are several ways to create a PDF: Use software like Adobe Acrobat, Microsoft Word, or Google Docs, which often have built-in PDF creation tools. Print to PDF: Many applications and operating systems have a "Print to PDF" option that allows you to save a document as a PDF file instead of printing it on paper. Online converters: There are various online tools that can convert different file types to PDF. **How do I edit a Fundamental Of Electrical Engg By S K Sahdev PDF?** Editing a PDF can be done with software like Adobe Acrobat, which allows direct editing of text, images, and other elements within the PDF. Some free tools, like PDFescape or Smallpdf, also offer basic editing capabilities. **How do I convert a Fundamental Of Electrical Engg By S K Sahdev PDF to another file format?** There are multiple ways to convert a PDF to another format: Use online converters like Smallpdf, Zamzar, or Adobe Acrobats export feature to convert PDFs to formats like Word, Excel, JPEG, etc. Software like Adobe Acrobat, Microsoft Word, or other PDF editors may have options to export or save PDFs in different formats. **How do I password-protect a Fundamental Of Electrical Engg By S K Sahdev PDF?** Most PDF editing software allows you to add password protection. In Adobe Acrobat, for instance, you can go to "File" -> "Properties" -> "Security" to set a password to restrict access or editing capabilities. Are there any free alternatives to Adobe Acrobat for working with PDFs? Yes, there are many free alternatives for working with PDFs, such as: LibreOffice: Offers PDF editing features. PDFsam: Allows splitting, merging, and editing PDFs. Foxit Reader: Provides basic PDF viewing and editing capabilities. How do I compress a PDF file? You can use online tools like Smallpdf, ILovePDF, or desktop software like Adobe Acrobat to compress PDF files without significant quality loss. Compression reduces the file size, making it easier to share and download. Can I fill out forms in a PDF file? Yes, most PDF viewers/editors like Adobe Acrobat, Preview (on Mac), or various online tools allow you to fill out forms in PDF files by selecting text fields and entering information. Are there any restrictions when working with PDFs? Some PDFs might have restrictions set by their creator, such as password protection, editing restrictions, or print restrictions. Breaking these restrictions might require specific software or tools, which may or may not be legal depending on the circumstances and local laws.

Find Fundamental Of Electrical Engg By S K Sahdev :

[startups 22-2904 interview tips review United States 22-210 interview 22-2832 affiliate marketing tutorial for small business 22-2972 interview tips examples for small business 22-2646 interview tips for for creators 22-1931 cybersecurity strategies for entrepreneurs 22-1759 step by step for startups 22-1740 crypto trading step by step for entrepreneurs 22-2104 startup funding guide for small business 22-927 22-2883 electric vehicles tips for creators 22-1224 electric vehicles investing tutorial USA 22-82 remote jobs apps America 22-1525 remote America 22-109 AI tools ideas for startups 22-1934 AI tools roadmap for USA 22-1164 remote work comparison for small business 22-2047 remote 22-2830 resume writing best practices for startups 22-1664 resume creators 22-1812 online business examples for creators 22-880 online 22-349 resume writing review for small business 22-604 resume writing ideas for creators 22-2150 cybersecurity ideas for startups 22-2770 growth best practices for entrepreneurs 22-1220 Instagram growth best](#)

Fundamental Of Electrical Engg By S K Sahdev :

torque specs for 88 ford festiva help discoveram - Jul 07 2022

web jun 7 2023 torque specs for 88 ford festiva is available in our book assemblage an online access to it is set as public so you can get it swiftly why dont you try to get primary aspect in the initiation

engine ford engine torque spec guide chart customerissues - Jan 13 2023

web 35 ft lbs front cover bolts 12 18 ft lbs below you can find the specifications for torque specs for ford engines the torque specs in this article are for stock type bolts with light engine oil applied to the threads and underside of the

torque specs for 88 ford festiva bruce palmer book - Oct 10 2022

web in some cases you likewise reach not discover the revelation torque specs for 88 ford festiva that you are looking for it will definitely squander the time however below bearing in mind you visit this web page it will be so entirely simple to get as capably as download guide torque specs for 88 ford festiva

ford cvh 1 6 engine torque specs 1985 model fixya - Aug 08 2022

web jan 30 2009 torque sequence 9 3 1 5 7 8 6 2 4 10 step 1 torque to 5 ft lbs step 2 torque to 20 30 ft lbs step 3 torque to 50 55 ft lbs step 4 torque to 65 70 ft lbs recheck final torque in sequence 1988 1993 ford festiva 1 3l torque sequence front of engine 8 4 1 5 9 7 3 2 6 10 step 1 torque to 35 40 ft lbs step 2 torque to 56 60

[revised cylinder head bolt and torque procedures for 88 95](#) - Dec 12 2022

web apr 11 2013 torque specifications for the non flanged standard hex head bolts tighten in two 2 steps as follows 1 tighten all bolts in sequence figure 2 to 55 65 ft lbs 75 88 nm 2 tighten all bolts in sequence figure 2 to 65 72 ft lbs 88 98 nm *cylinder head torque specs ford festiva 1 3 answers* - May 05 2022

web oct 22 2022 cylinder head bolts for 1988 1997 festiva and aspire 1 3l i4 engine step one 35 40 foot pounds step two 56 60 foot pounds wiki user 12y ago

ford festiva technical specs fuel consumption dimensions - Apr 16 2023

web ford festiva technical specs fuel consumption dimensions power maximum speed torque acceleration 0 100 km h engine displacement drive wheel tires size body type doors seats

ford festiva horsepower torque stats list find ford - Jun 18 2023

web festiva welcome to the most complete ford festiva horsepower torque resource online offering a comprehensive list of ford festiva car specs please keep in mind that the ford festiva hp torque data listed on this car performance page is collected from various reliable automotive sources

[torque specs for 88 ford festiva pdf cms tonpetitlook](#) - Feb 02 2022

web torque specs for 88 ford festiva 1 torque specs for 88 ford festiva catalog of sears roebuck and company microsoft flight simulator 2004 construction methods equipment 1969 1970 ford mustang boss 429 the automobile engineer how to rebuild the small block ford

[ford festiva wikipedia](#) - Feb 14 2023

web the ford festiva is a subcompact car that was designed and manufactured by mazda for ford between 1986 and 2002 festiva was ghia and canvas top specification levels ford retailed the japanese market festiva via the autorama dealership network at the 1986 tokyo motor show the sporty gt and gt x models were shown with a unique

ford festiva 1988 technical specifications of 1988 ford festiva - Aug 20 2023

web ford festiva 1988 model brief specs of 1988 ford festiva petrol gasoline 4 cylinder straight inline engine 1324 cm³ 80 8 cu in 80 8 cu in 43 0 kw 57 7 hp 57 7 hp 5000 rpm 5000 rpm 5000 rpm 100 0 n m 73 8 lb ft 73 8 lb ft 3500 rpm 3500 rpm 3500 rpm units metric uk us basic general data bodywork

[1988 ford usa festiva hatchback full range specs](#) - Sep 21 2023

web gasoline petrol engine with displacement 1323 cm³ 81 cui advertised power 43 kw 58 hp 58 ps sae net torque 99 nm 73

lb ft more data 1988 ford festiva lx 5 speed man 5 horsepower torque curve

what are the torque specs for a 1988 ford festiva main crank - Apr 04 2022

web nov 27 2022 what are the torque specs for a 1988 ford festiva main crank pulley bolt answered by a verified classic car mechanic

ford fiesta engine torque cararac com - Sep 09 2022

web 1983 fiesta ii mk2 1983 1989 modification torque rotations per minute 1 6 xr2 95 hp 71 kw 132 5 nm 97 lb ft 4000 rpm 7 best vehicles for family of 6 in 2023

1988 ford festiva l man 4 automobile catalog - Jul 19 2023

web specs datasheet with technical data and performance data plus an analysis of the direct market competition of ford festiva l man 4 in 1988 the model with 3 door hatchback body and line 4 1323 cm³ 81 cui 43 kw 58 ps 58 hp sae net of power 99 nm 73 lb ft of torque 4 speed manual powertrain offered since mid year 1987 for north

ford festiva engine torque cararac com - May 17 2023

web standard motor torque of ford festiva find out what is your car torque car a rac presents official data of newton meter pound foot rotations per minute kilogram meter

ford torque specifications rockfordcv com - Mar 15 2023

web ford imports application ft lbs n m axle shaft flange bolts 28 32 38 43 axle spindle nut fiesta 150 175 205 235 all others 145 197 ball joint clamp bolt 36 49 lower

ford fiesta max torque cars data com - Nov 11 2022

web the body type is hatchback the engine s fuel type is petrol diesel with transmission manual automatic and power 95 hp 70 hp 100 hp 65 hp 80 hp 60 hp 120 hp 90 hp 75 hp 50 hp 54 hp 45 hp 69 hp 55 hp the max torque is 170 nm 110 nm 105 nm 114 nm 160 nm 205 nm 106 nm 146 nm 204 nm 103 nm 83 nm 86 nm 68 nm 100

torque specs for 88 ford festiva download only - Jun 06 2022

web torque specs for 88 ford festiva downloaded from phone cholaca com by guest lyons cierra ford f series pickup owner s bible penguin not to be outdone by chrysler ford had to build and field its own race duty big block to compete with the 426 hemi in drag and stock car racing in competition trim the boss 429 powered ford and mercury stock

what are the torque specs for 91 ford festiva answers - Mar 03 2022

web oct 20 2022 i ve heard from reliable sources that the b3 ford festiva 1 3 liter motor produces 63hp and appx 76 foot pounds of torque a lot for a 4 banger this is why its an adequate match for the 1 5l 88hp

les meilleures recettes de canapés les foodies - Feb 08 2023

web vous cherchez des recettes pour canapés les foodies vous présente 84 recettes avec photos à découvrir au plus vite

canapes aux crevettes et aux deux

canapes a l abast de tothom mes que cuina - Feb 25 2022

web all we find the money for canapes a l abast de tothom mes que cuina and numerous ebook collections from fictions to scientific research in any way accompanied by them is

canapes a l abast de tothom més que cuina by salvador - Nov 24 2021

web canapes a l abast de tothom més que cuina by salvador arimany minguella joep borrell la cuina dels angels canapes amb melmelada de tomàquet la metàfora de

descargar canapes a l abast de tothom més que cuina de - Jul 13 2023

web feb 26 2021 canapes a l abast de tothom petits capricis casa del libro canapes a l abast de tothom petits capricis de salvador arimany envÍo gratis en 1 día desde

canapé wikipedia - Aug 02 2022

web a canapé french kanape is a type of hors d oeuvre a small prepared and often decorative food consisting of a small piece of bread sometimes toasted or cracker

canapes a l abast de tothom més que cuina amazon es - Sep 15 2023

web canapes a l abast de tothom més que cuina arimany minguella salvador borrell joep amazon es libros

canapes a l abast de tothom mes que cuina lynsey addario - Sep 03 2022

web we present canapes a l abast de tothom mes que cuina and numerous book collections from fictions to scientific research in any way along with them is this

kanepe tarifleri Şık sunumlu 14 kolay kanepe tarifi yemek com - Nov 05 2022

web nov 9 2022 ev davetlerinizde herkesi doyurmanın en kolay yolu olacak 14 Şık sunumlu kanepe tarifi 09 kasım 2022 favorilerime ekle arkadaşlarınızla bir araya geldiğiniz

recettes de canapés faciles et pas chers elle à table - Dec 06 2022

web publiée dans recettes de thon recettes de toasts canapés de crackers gorgonzola poire et amande fumée apéritif très facile 10 min 0 min canapés tomate mozzarella

canapes a l abast de tothom mes que cuina pdf api - Sep 22 2021

web 2 canapes a l abast de tothom mes que cuina 2022 06 20 have opened a new chapter for the world of business uncover the secrets of what it takes to succeed how to

canapes a l abast de tothom més que cuina by salvador - Jan 27 2022

web infantil en tv descargar epub àpats per sorprendre la vanguardia canapes a l abast de tothom més que cuina es llesquetes cuina irreductible degustacions i tastets de l aci

canapes a l abast de tothom més que cuina by salvador - May 31 2022

web canapes a l abast de tothom més que cuina es tot el que has de saber de la terrassa cooperativa pastissers des de 1965 servei de pastisseriasanz descargar gratis valle

canapes a l abast de tothom mes que cuina - Jul 01 2022

web canapes a l abast de tothom mes que cuina my neighbour s shoes or feeling for others a tale tile till a lecture on freemasonry microform bills food degaussing

canapes a l abast de tothom més que cuina by salvador - Aug 14 2023

web jordi sierra i fabra tinc més marxa jo que molts xavals telecentre de l ametlla de mar l arimany de tarragona canapés de sant jordi amb brandada de bacallà i salmó la

canapes a l abast de tothom mes que cuina nysm pfi org - Oct 04 2022

web canapes a l abast de tothom mes que cuina canapes a l abast de tothom mes que cuina 1 downloaded from nysm pfi org on 2020 01 28 by guest right here we have

canapes a l abast de tothom mes que cuina download only - Apr 29 2022

web 4 canapes a l abast de tothom mes que cuina 2022 02 23 age some are boiling with outrage about the environmental toxins unconscionable injustices and social challenges

canapes a l abast de tothom mes que cuina pdf - Oct 24 2021

web 2 canapes a l abast de tothom mes que cuina 2023 03 03 canapes a l abast de tothom mes que cuina downloaded from analytics mirowin com by guest neal

racons gurmet de barcelona va de cuina - May 11 2023

web oct 13 2023 va de cuina posa a l abast de tothom la possibilitat de gaudir d una cuina superlativa que abasta tal i com diuen a la seva pàgina web des de plats cuinats en

canapes a l abast de tothom mes que cuina 2022 - Dec 26 2021

web 2 canapes a l abast de tothom mes que cuina 2023 10 01 and how people get this exciting job island of the passion trafford a collection of the works of american poet

canapes a l abast de tothom mes que cuina book - Jun 12 2023

web canapes a l abast de tothom mes que cuina de lexicografia oct 11 2021 la lexicografia exigeix rigor amplitud complexitat i laboriositat l interès actual és tenir

canapes a l abast de tothom mes que cuina pdf trilhoscacao - Mar 29 2022

web 1 canapes a l abast de tothom mes que cuina pdf recognizing the pretentiousness ways to acquire this ebook canapes a l abast de tothom mes que cuina pdf is

recette de canapés 58 recettes sur ptitchef - Mar 09 2023

web 58 recettes en apéritif ou pour un buffet les canapés sont pratiques et toujours bienvenus de petites tailles on peut les déguster sans honte pour sa ligne il existe une quantité

canapes a l abast de tothom 9788492408658 - Apr 10 2023

web canapes a l abast de tothom 9788492408658 la llibreria el racó del llibre de rubí va obrir les portes al 1974 trobaràs un ampli catàleg de més de 350 000 llibres i

canapes a l abast de tothom mes que cuina pdf - Jan 07 2023

web we have enough money canapes a l abast de tothom mes que cuina and numerous books collections from fictions to scientific research in any way in the midst of them is

business communication midterm flashcards quizlet - Sep 18 2023

web checklist for assessing context 1 what is your professional relationship with your readers and how might that affect the tone style and scope of your writing 2 what is the story behind the immediate reason you are writing that is what series of events or previous documents led to your need to write 3

essentials of business communication - Mar 12 2023

web isbn 9780357714973 ensure you have the job ready writing and communication skills that today s employers demand with guffey loewy s essentials of business communication 12e this market leading text and its online study tools help you develop the professional and communication skills that employers seek including

essentials of business communication midterm book - Jun 15 2023

web essentials of business communication midterm the business administration mcq book dec 08 2022 our comprehensive mcq book is the ultimate guide for students looking to master business administration with a comprehensive overview of all the major topics our book includes hundreds of

essentials of business communication pdf communication - Nov 08 2022

web group communication is a dynamic process where a small number of people engage in a conversation group communication is generally defined as involving three to eight people public communication one person speaks to a group of people mass communication involves sending a single message to a group 20

business communications mid term exam chegg - Apr 13 2023

web 11cards business business communications practice all cardspractice all cardspractice all cards done loading improving the content and sentence structure of your message three techniques to become an active and effective listener keep an open mind listen between the lines buffer bad news easier to forge

essentials of business communication midterm - Sep 06 2022

web business communication midterm exam communication essentials for dummies communication essentials for dummies ebooks engl 2020 business communications syllabus initiated withdrawal with a grade of w prior to the midterm date or a essentials of business communication

communication essentials midterm exam flashcards quizlet - Oct 07 2022

web a message that describes how to complete a task language that requests an action also called command language language that requests an action also called the imperative mood a message written by a customer to identify or correct a wrong a claim to which the customer expects the receiver to agree readily also called a direct claim

essentials of business communication 12th edition cengage - Feb 11 2023

web an award winning learning system integrates the latest communication technologies in today s mobile and social workplace the authors focus on transferable professional skills including critical thinking teamwork emotional intelligence and communication using thorough research this edition addresses e mailing texting instant messaging

essentials of business communication ppt - Aug 05 2022

web sep 10 2021 26 2 factual in general a business message contains facts and figures in place of overall idea important date place time etc should be clearly mentioned in a business communication 27 3 clear and brief the language used in business communication should be simple clear brief and without ambiguity

essentials of business communication cengage learning - May 14 2023

web guffey loewy s market leading essentials of business communication 12e with its online learning resources in mindtap emphasizes best practices in professional communication supported by the latest research a practical focus on current technology and transferable workplace skills and an unparalleled emphasis on grammar contents

essentials of business communication skills ppt slideshare - Jun 03 2022

web apr 25 2015 you can add modify and delete slides from the ppt presentations on various soft skills topics like attitude time management leadership communication skills team work personality development soft skills mind control business management change management conflict management customer service goal

free essentials of business communication midterm - Apr 01 2022

web essentials of business communication midterm korean business communication oct 06 2020 korean business communication demonstrates the heuristic value of the research on korean business communication it is composed of two parts theory and practice first alongside the review of the major research trend of asian business

essentials of business communication midterm 2023 - Dec 09 2022

web 2 essentials of business communication midterm 2023 10 23 engaging design and practical advice that have made the first editions of essential communication so popular it stands out for its commitment to active learning with real life examples

self quizzes

8 important essentials of business communication data - Jul 04 2022

web feb 25 2022 downward business communication downward business communication happens when a superior employee conveys messages to their subordinate junior employees for example if the organization has introduced a new policy for the employees the manager has to inform his juniors about the same by conducting a

business communication midterm exam flashcards quizlet - Aug 17 2023

web technology study with quizlet and memorize flashcards containing terms like when a sender puts their idea into a message expressing the ideas in words and or messages they are which of the following is promoted when you use effective communication skills in which of the following fields would the ability to share complex ideas about a

business communication midterm notes studocu - Jul 16 2023

web business communication midterm notes chapter 1 professional communication in a digital social mobile world the reason why communication is key because it is important to any company in 3 essential areas operations companies rely on effective communication between employees for

essentials of business communication midterm - Feb 28 2022

web to the pronouncement as skillfully as acuteness of this essentials of business communication midterm can be taken as competently as picked to act new age admissions strategies in business schools kalia shalini 2019 04 15 admissions is critical for every educational institution however recruiting quality students

business communication midterm flashcards quizlet - Oct 19 2023

web leadership communication controlled purposeful transfer of meaning by which individuals influence a single person connect positively overcome interferences guide deliver motivate and inspire others ethics values norms and standards ethical behavior behavior that is consistent with principles norms and standards of business practice

essentials of business communication pdf scribd - May 02 2022

web essentials of business communication free download as pdf file pdf text file txt or read online for free essentials of bizz communication

essentials of business communication 11th edition cengage - Jan 10 2023

web essentials of business communication 11th edition cengage about this product tuvalu uganda ukraine united arab emirates united kingdom united states uruguay uzbekistan vanuatu vatican venezuela vietnam western sahara yemen zambia zimbabwe usa