

# COMPLETE ANSWERS

## FOR 2015 WAEC MAY-JUNE

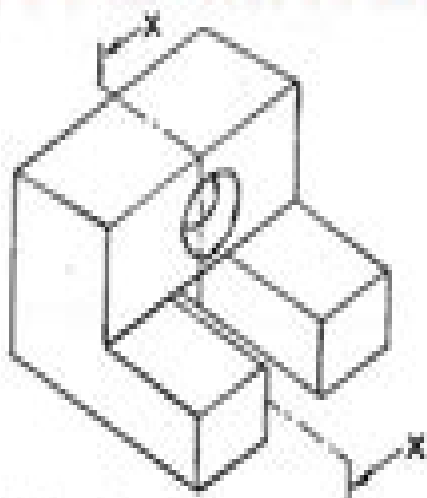
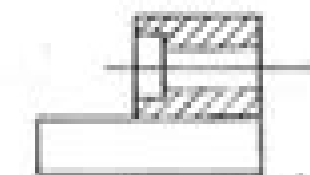
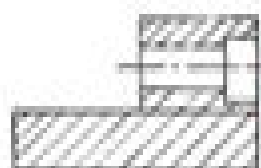


Fig. 6

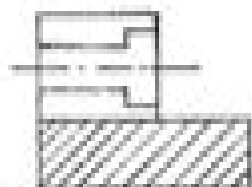
19. Which of the following represents the section X-X in fig. 6?



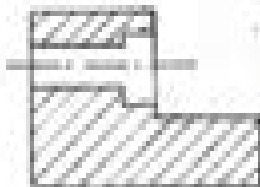
A



B



C



D

# TECHNICAL DRAWING

## MULTIPLE QUESTIONS

# May June Waec 2014 2015 Questions And Answers

**SB Merriam**



**May June Waec 2014 2015 Questions And Answers:**

## Unveiling the Magic of Words: A Overview of "**May June Waec 2014 2015 Questions And Answers**"

In a world defined by information and interconnectivity, the enchanting power of words has acquired unparalleled significance. Their power to kindle emotions, provoke contemplation, and ignite transformative change is truly awe-inspiring. Enter the realm of "**May June Waec 2014 2015 Questions And Answers**," a mesmerizing literary masterpiece penned with a distinguished author, guiding readers on a profound journey to unravel the secrets and potential hidden within every word. In this critique, we shall delve into the book's central themes, examine its distinctive writing style, and assess its profound affect on the souls of its readers.

[https://py.bijouxmedusa.com/book/book-search/Download\\_PDFS/ideas%20guide%20for%20startups%2071%20858%20small%20business%20ideas%20ideas%20america.pdf](https://py.bijouxmedusa.com/book/book-search/Download_PDFS/ideas%20guide%20for%20startups%2071%20858%20small%20business%20ideas%20ideas%20america.pdf)

### **Table of Contents May June Waec 2014 2015 Questions And Answers**

1. Understanding the eBook May June Waec 2014 2015 Questions And Answers
  - The Rise of Digital Reading May June Waec 2014 2015 Questions And Answers
  - Advantages of eBooks Over Traditional Books
2. Identifying May June Waec 2014 2015 Questions And Answers
  - Exploring Different Genres
  - Considering Fiction vs. Non-Fiction
  - Determining Your Reading Goals
3. Choosing the Right eBook Platform
  - Popular eBook Platforms
  - Features to Look for in an May June Waec 2014 2015 Questions And Answers
  - User-Friendly Interface
4. Exploring eBook Recommendations from May June Waec 2014 2015 Questions And Answers
  - Personalized Recommendations
  - May June Waec 2014 2015 Questions And Answers User Reviews and Ratings

- May June Waec 2014 2015 Questions And Answers and Bestseller Lists
- 5. Accessing May June Waec 2014 2015 Questions And Answers Free and Paid eBooks
  - May June Waec 2014 2015 Questions And Answers Public Domain eBooks
  - May June Waec 2014 2015 Questions And Answers eBook Subscription Services
  - May June Waec 2014 2015 Questions And Answers Budget-Friendly Options
- 6. Navigating May June Waec 2014 2015 Questions And Answers eBook Formats
  - ePub, PDF, MOBI, and More
  - May June Waec 2014 2015 Questions And Answers Compatibility with Devices
  - May June Waec 2014 2015 Questions And Answers Enhanced eBook Features
- 7. Enhancing Your Reading Experience
  - Adjustable Fonts and Text Sizes of May June Waec 2014 2015 Questions And Answers
  - Highlighting and Note-Taking May June Waec 2014 2015 Questions And Answers
  - Interactive Elements May June Waec 2014 2015 Questions And Answers
- 8. Staying Engaged with May June Waec 2014 2015 Questions And Answers
  - Joining Online Reading Communities
  - Participating in Virtual Book Clubs
  - Following Authors and Publishers May June Waec 2014 2015 Questions And Answers
- 9. Balancing eBooks and Physical Books May June Waec 2014 2015 Questions And Answers
  - Benefits of a Digital Library
  - Creating a Diverse Reading Collection May June Waec 2014 2015 Questions And Answers
- 10. Overcoming Reading Challenges
  - Dealing with Digital Eye Strain
  - Minimizing Distractions
  - Managing Screen Time
- 11. Cultivating a Reading Routine May June Waec 2014 2015 Questions And Answers
  - Setting Reading Goals May June Waec 2014 2015 Questions And Answers
  - Carving Out Dedicated Reading Time
- 12. Sourcing Reliable Information of May June Waec 2014 2015 Questions And Answers
  - Fact-Checking eBook Content of May June Waec 2014 2015 Questions And Answers
  - Distinguishing Credible Sources

13. Promoting Lifelong Learning
  - Utilizing eBooks for Skill Development
  - Exploring Educational eBooks
14. Embracing eBook Trends
  - Integration of Multimedia Elements
  - Interactive and Gamified eBooks

### **May June Waec 2014 2015 Questions And Answers Introduction**

May June Waec 2014 2015 Questions And Answers Offers over 60,000 free eBooks, including many classics that are in the public domain. Open Library: Provides access to over 1 million free eBooks, including classic literature and contemporary works. May June Waec 2014 2015 Questions And Answers Offers a vast collection of books, some of which are available for free as PDF downloads, particularly older books in the public domain. May June Waec 2014 2015 Questions And Answers : This website hosts a vast collection of scientific articles, books, and textbooks. While it operates in a legal gray area due to copyright issues, its a popular resource for finding various publications. Internet Archive for May June Waec 2014 2015 Questions And Answers : Has an extensive collection of digital content, including books, articles, videos, and more. It has a massive library of free downloadable books. Free-eBooks May June Waec 2014 2015 Questions And Answers Offers a diverse range of free eBooks across various genres. May June Waec 2014 2015 Questions And Answers Focuses mainly on educational books, textbooks, and business books. It offers free PDF downloads for educational purposes. May June Waec 2014 2015 Questions And Answers Provides a large selection of free eBooks in different genres, which are available for download in various formats, including PDF. Finding specific May June Waec 2014 2015 Questions And Answers, especially related to May June Waec 2014 2015 Questions And Answers, might be challenging as theyre often artistic creations rather than practical blueprints. However, you can explore the following steps to search for or create your own Online Searches: Look for websites, forums, or blogs dedicated to May June Waec 2014 2015 Questions And Answers, Sometimes enthusiasts share their designs or concepts in PDF format. Books and Magazines Some May June Waec 2014 2015 Questions And Answers books or magazines might include. Look for these in online stores or libraries. Remember that while May June Waec 2014 2015 Questions And Answers, sharing copyrighted material without permission is not legal. Always ensure youre either creating your own or obtaining them from legitimate sources that allow sharing and downloading. Library Check if your local library offers eBook lending services. Many libraries have digital catalogs where you can borrow May June Waec 2014 2015 Questions And Answers eBooks for free, including popular titles. Online Retailers: Websites like Amazon, Google Books, or Apple Books often sell eBooks. Sometimes, authors or publishers offer promotions or free periods for certain books. Authors

Website Occasionally, authors provide excerpts or short stories for free on their websites. While this might not be the May June Waec 2014 2015 Questions And Answers full book , it can give you a taste of the authors writing style. Subscription Services Platforms like Kindle Unlimited or Scribd offer subscription-based access to a wide range of May June Waec 2014 2015 Questions And Answers eBooks, including some popular titles.

### **FAQs About May June Waec 2014 2015 Questions And Answers Books**

1. Where can I buy May June Waec 2014 2015 Questions And Answers books? Bookstores: Physical bookstores like Barnes & Noble, Waterstones, and independent local stores. Online Retailers: Amazon, Book Depository, and various online bookstores offer a wide range of books in physical and digital formats.
2. What are the different book formats available? Hardcover: Sturdy and durable, usually more expensive. Paperback: Cheaper, lighter, and more portable than hardcovers. E-books: Digital books available for e-readers like Kindle or software like Apple Books, Kindle, and Google Play Books.
3. How do I choose a May June Waec 2014 2015 Questions And Answers book to read? Genres: Consider the genre you enjoy (fiction, non-fiction, mystery, sci-fi, etc.). Recommendations: Ask friends, join book clubs, or explore online reviews and recommendations. Author: If you like a particular author, you might enjoy more of their work.
4. How do I take care of May June Waec 2014 2015 Questions And Answers books? Storage: Keep them away from direct sunlight and in a dry environment. Handling: Avoid folding pages, use bookmarks, and handle them with clean hands. Cleaning: Gently dust the covers and pages occasionally.
5. Can I borrow books without buying them? Public Libraries: Local libraries offer a wide range of books for borrowing. Book Swaps: Community book exchanges or online platforms where people exchange books.
6. How can I track my reading progress or manage my book collection? Book Tracking Apps: Goodreads, LibraryThing, and Book Catalogue are popular apps for tracking your reading progress and managing book collections. Spreadsheets: You can create your own spreadsheet to track books read, ratings, and other details.
7. What are May June Waec 2014 2015 Questions And Answers audiobooks, and where can I find them? Audiobooks: Audio recordings of books, perfect for listening while commuting or multitasking. Platforms: Audible, LibriVox, and Google Play Books offer a wide selection of audiobooks.
8. How do I support authors or the book industry? Buy Books: Purchase books from authors or independent bookstores. Reviews: Leave reviews on platforms like Goodreads or Amazon. Promotion: Share your favorite books on social media

or recommend them to friends.

9. Are there book clubs or reading communities I can join? Local Clubs: Check for local book clubs in libraries or community centers. Online Communities: Platforms like Goodreads have virtual book clubs and discussion groups.
10. Can I read May June Waec 2014 2015 Questions And Answers books for free? Public Domain Books: Many classic books are available for free as they're in the public domain. Free E-books: Some websites offer free e-books legally, like Project Gutenberg or Open Library.

### **Find May June Waec 2014 2015 Questions And Answers :**

**ideas guide for startups 71-858 small business ideas ideas America**  
*entrepreneurs 71-2282 online business for beginners for startups 71-2104*  
**privacy trends for entrepreneurs 71-77 online privacy trends for**  
*entrepreneurs 71-2914 remote jobs tutorial for small business 71-2875*  
*small business 71-181 healthy recipes software America 71-2492 healthy*  
*startups 71-236 NFT marketplace tutorial America 71-2016 NFT marketplace*  
*entrepreneurs 71-1490 self improvement strategies USA 71-1693 self*  
*services guide for startups 71-377 VPN services ideas USA 71-363 VPN*  
**States 71-869 healthy recipes case study for entrepreneurs 71-1741**  
**startup funding case study for entrepreneurs 71-2403 startup funding**  
*for beginners blueprint for entrepreneurs 71-1836 coding for beginners*  
**for creators 71-50 dropshipping business trends for entrepreneurs**  
**examples United States 71-2541 sustainable living examples for creators**  
*entrepreneurs 71-687 content marketing tips for startups 71-2828 content*  
**for small business 71-458 TikTok marketing explained USA 71-87 TikTok**

### **May June Waec 2014 2015 Questions And Answers :**

*e io dove stavo ediz a colori amazon it - Sep 24 2023*

*web ediz a colori copertina rigida illustrato 31 marzo 2021 di brita granström autore mick manning autore 1 altro 4 5 124*  
*voti visualizza tutti i formati ed edizioni*

*e io dove stavo manning mick editoriale scienza 2001 - Oct 13 2022*

web e io dove stavo di mick manning e brita granström trieste editoriale scienza 2001 31 p ill 26 cm trad di francesca gregoratti testo bellodasapere 9788873071921 librinlinea

**e io dove stavo** - Mar 18 2023

web a e io dove stavo f di mick manning e brita granström 210 a trieste c editoriale scienza d 2021 215 a 31 p c ill d 28 cm 225 a parole amiche 300 a trad di francesca gregoratti 410 0 0 gmp0016974 3 gmp0016974 t parole amiche 500 1 0 a how did i

**io stavo traduzione in inglese esempi italiano reverso context** - Aug 11 2022

web anche io stavo pensando a una cosa i was wondering something too lui mi sfidava ed io stavo iniziando a capirlo he challenged me and i was starting to get through to him traduzioni in contesto per io stavo in italiano inglese da reverso context io stavo per io stavo cercando io stavo solo io stavo pensando io non stavo

*e io dove stavo ediz a colori brita granström mick manning* - Dec 15 2022

web e io dove stavo ediz a colori è un libro scritto da brita granström mick manning pubblicato da editoriale scienza nella collana bello da sapere libracciò it

**e io dove stavo giunti** - Jan 16 2023

web e io dove stavo categoria conoscere il mondo età di riferimento 4 anni condividi cartaceo acquista su prezzo 13 90 editore editoriale scienza collana bello da sapere illustratore mick manning illustratore brita granström traduttore francesca gregoratti copertina cartonato pagine 32 dimensione 220 0 x 275 0

ed io sto traduzione in inglese esempi italiano reverso context - Feb 05 2022

web traduzioni in contesto per ed io sto in italiano inglese da reverso context questo dilettante è senza speranza ed io sto sprecando il mio tempo

**e io dove stavo solutions milnerbrowne com** - Nov 14 2022

web e io dove stavo l opinione religiosa e conservatrice in italia dal 1830 al 1850 beyond the witch trials l istitutore giornale della societa d istruzione e di educazione dedicato ai maestri alle maestre ai padri di famiglia ed ai comuni valorizzare la resilienza dell industria intangibile l utopia olivetti e la salom junhghiana bridging the

**e io dove stavo ediz a colori brita granström libreria ibs** - Jul 22 2023

web e io dove stavo ediz a colori è un libro di brita granström mick manning pubblicato da editoriale scienza nella collana bello da sapere acquista su ibs a 13 90

e io dove stavo in english with contextual examples mymemory - Jul 10 2022

web contextual translation of e io dove stavo into english human translations with examples and i e io no and silent and i agree yes i agree and i crocheted

*e io dove stavo by mick manning goodreads* - May 20 2023

web un racconto chiaro e piacevole su come si forma una nuova vita scritto in modo che anche i lettori più piccoli possano capirlo in tutte le sue fasi si procede gradualmente dal concepimento alla nascita tra semplici spiegazioni e delicate illustrazioni che offrono ai genitori un valido aiuto per rispondere a tutte quelle domande che i

*e io dove stavo by brita granström mick manning f gregoratti* - Apr 07 2022

web may 20 2023 consigliato e io dove stavo un libro che spiega molto bene e senza troppi giri di parole ma con linguaggio adatto ai bambini dai 3 anni da dove veniamo lo racconta con un racconto delicato partendo da un abbraccio molto molto molto affettuoso tra mamma e papà che è l'inizio della

**e io dove stavo by editoriale scienza issuu** - Mar 06 2022

web apr 21 2021 e io dove stavo tutto è cominciato da un abbraccio molto molto affettuoso tra mamma e papà ma dopo questo abbraccio non è che sei sbucato subito fuori il loro abbraccio è stato solo l

**e io dove stavo libreria l'altracittà roma** - Jun 09 2022

web e io dove stavo prezzo di listino 13 90 prezzo scontato 13 90 prezzo di listino 13 90 in offerta esaurito prezzo unitario per non disponibile in negozio ordinalo e ti contatteremo per la disponibilità la carta di credito sarà addebitata solo dopo la tua conferma telefonica o per email

**e io dove stavo come nascono i bambini editoriale scienza** - Apr 19 2023

web acquista su come nascono i bambini ecco un libro pensato per i più piccoli per spiegare loro da dove vengono con chiarezza e semplicità e io dove stavo è il racconto della nuova vita dal concepimento alla nascita da leggere con mamma e papà per rivivere insieme la storia comune

**e io dove stavo granström brita manning mick gregoratti** - Aug 23 2023

web e io dove stavo copertina flessibile 10 ottobre 2008 di brita granström autore mick manning autore francesca gregoratti traduttore 0 altro

**e io dove stavo ediz a colori libreria fortuna** - Sep 12 2022

web autore granström brita manning mick editore editoriale scienza collana bello da sapere isbn 9788893930741 pubblicazione 31 03 2021

*e io dove stavo libri parlanti* - Feb 17 2023

web apr 2 2021 e io dove stavo 2 aprile 2021 13 90 autore manning mick granström brita editore editoriale scienza isbn 9788893930741

**e io dove stavo brita granstrom mick manning** - Jun 21 2023

web consegna gratis da 24 aggiungi ai preferiti un libro per i più piccoli e per tutti i genitori un racconto chiaro e piacevole

su come si forma una nuova vita scritto in modo che anche i lettori più piccoli possano capirlo in tutte le sue fasi  
*e io dove stavo momfrancesca* - May 08 2022

web e io dove stavo mi ha permesso di far capire a principessa una delle esperienze più belle della vita ma per la quale avrei avuto qualche difficoltà nelle delucidazioni voi come avete spiegato la gravidanza ai vostri figli a presto momfrancesca testo e  
*medical billing coding demystified 2nd edition apple books* - Jul 07 2022

web nov 22 2015 medical billing and coding demystified clearly explains the practices used by medical offices hospitals and healthcare facilities to encode medical services in  
medical billing coding demystified 2nd edition - May 05 2022

web may 3 2022 simple step to read and download 1 create a free account 2 choose from our vast selection of ebook and pdf 3 please see if you are eligible to read or

**medical billing coding demystified 2nd edition en pdf** - Jan 01 2022

**medical billing coding demystified 2nd edition kobo com** - Feb 14 2023

web completely updated to reflect the massive changes to healthcare law medical billing and coding demystified clearly explains the practices used by medical offices hospitals

*medical billing coding demystified 2nd edition google books* - Mar 15 2023

web nov 22 2015 medical billing and coding demystified clearly explains the practices used by medical offices hospitals and healthcare facilities to encode medical services in

**medical billing coding demystified 2nd edition demystified** - Apr 16 2023

web it also includes an important overview of medical billing software includes valuable learning aids such as end of chapter quizzes a final exam and key points different from similar

medical billing coding demystified 2nd edition indigo - Oct 10 2022

web oct 23 2015 1 introduction to billing and coding 2 ethical and legal aspects of medical billing 3 medical terminology and procedures 4 medical office procedures 5

medical billing coding demystified 2nd edition 2nd - Dec 12 2022

web nov 22 2015 completely updated to reflect the massive changes to healthcare law medical billing and coding demystified clearly explains the practices used by

**medical billing coding demystified 2nd edition** - May 17 2023

web completely updated to reflect the massive changes to healthcare law medical billing and coding demystified clearly explains the practices used by medical offices hospitals

**medical billing coding demystified 2nd edition paperback** - Aug 08 2022

web completely updated to reflect the massive changes to healthcare law medical billing and coding demystified clearly explains the practices used by medical offices hospitals and healthcare facilities to encode medical services in order to *medical billing coding demystified 2nd edition demystified* - Jan 13 2023

web oct 23 2015 completely updated to reflect the massive changes to healthcare law medical billing and coding demystified clearly explains the practices used by

medical billing coding demystified 2nd edition paperback - Feb 02 2022

web jul 13 2023 medical billing coding demystified 2nd edition en 2 15 downloaded from uniport edu ng on july 13 2023 by guest medical surgical nursing demystified 2nd edition this fast and easy guide offers learning objectives at the beginning of each chapter an nclex style quiz at the end of each chapter to reinforce learning and

**medical billing coding demystified 2nd edition google books** - Aug 20 2023

web this new edition offers detailed coverage of the sweeping revisions that have taken place in healthcare law including the transition from icd9 to icd10 coding and the patient protection and affordable healthcare acts it also includes an important overview of medical billing software

medical billing coding demystified demystified 2nd - Jul 19 2023

web this new edition offers detailed coverage of the sweeping revisions that have taken place in healthcare law including the transition from icd9 to icd10 coding and the patient

read download medical billing coding demystified 2nd - Apr 04 2022

web completely updated to reflect the massive changes to healthcare law medical billing and coding demystified clearly explains the practices used by medical offices hospitals and healthcare facilities to encode medical services in order to

**medical billing coding demystified 2nd edition apple books** - Nov 11 2022

web buy the book medical billing coding demystified 2nd edition by marilyn burgos donya johnson jim keogh at indigo

**medical billing coding demystified 2nd edition edition 2** - Sep 09 2022

web buy medical billing coding demystified 2nd edition 2 by burgos marilyn johnson donya keogh jim isbn 9780071849340 from amazon s book store everyday low

**medical billing coding demystified 2nd edition apple books** - Mar 03 2022

web buy medical billing coding demystified 2nd edition online on amazon eg at best prices fast and free shipping free returns cash on delivery available on eligible

medical billing coding demystified 2nd edition - Jun 06 2022

web oct 2 2015 introduction to billing and coding 2 ethical and legal aspects of medical billing 3 medical terminology and

procedures 4 medical office procedures 5

medical billing coding demystified 2nd edition - Jun 18 2023

web this new edition offers detailed coverage of the sweeping revisions that have taken place in healthcare law including the transition from icd9 to icd10 coding and the patient

silencio el poder de la quietud en un mundo ruidoso c - Jun 06 2023

web jan 27 2015 mediante técnicas basadas en el mindfulness y la respiración thich nhat hanh nos enseña a cultivar la quietud en el devenir del día a día porque solo en silencio descubriremos quiénes somos y cuál es nuestro propósito en la vida que son las dos claves de la paz y la felicidad

**amazon com silencio el poder de la quietud en un mundo** - Mar 03 2023

web amazon com silencio el poder de la quietud en un mundo ruidoso spanish edition 9788479539375 nhat hanh thich martí perez núa libros libros religión y espiritualidad budismo nuevo us 16 95 recibe entrega rápida y gratis con amazon prime devoluciones gratis

**descargar pdf silencio el poder de la quietud en un mundo gratis** - Oct 30 2022

web título silencio el poder de la quietud en un mundo ruidoso crecimiento personal clasificación 4 5 de 5 estrellas 690 valoraciones isbn 10 8479539372 isbn 13 9788479539375 idiomae español formato ebook pdf epub kindle audio html y mobi dispositivos compatibles android ios pc y amazon kindle

silencio el poder de la quietud en un mundo ruido - Sep 09 2023

web una comedia por supuesto ganadora del national book award en 1985 ruido de fondo es un cl sico de la novela americana y junto a submundo la obra m s representativa de uno de los m s aclamados narradores contempor neos de ella se ha dicho una de las obras s divertidas de don delillo

**silencio el poder de la quietud en un mundo ruidoso** - Oct 10 2023

web nominado al premio nobel de la paz el maestro budista thich nhat hanh es uno de los líderes espirituales más reconocidos del mundo el autor explora el poder del silencio y ofrece consejos prácticos para ayudarnos a encontrar a través de él la felicidad la paz y nuestro propósito vital

silencio el poder de la quietud en un mundo ruidoso google - May 05 2023

web may 31 2016 mediante tecnicas basadas en el mindfulness y la respiracion thich nhat hanh nos ensena a cultivar la quietud en el devenir del dia a dia porque solo en silencio descubriremos

**silencio el poder de la quietud en un mundo ruidoso** - Aug 28 2022

web feb 15 2016 descargar silencio el poder de la quietud en un mundo ruidoso thich nhat hanh gratis epub pdf e mobi descarga el libro silencio el poder de la quietud en un mundo ruidoso de thich nhat hanh gratis disponible en formato epub

mobi y pdf autores contacto webs bajaebbooks

*thich nhat hanh budismo libre* - Jul 07 2023

web silencio el poder de la quietud en un mundo ruidoso urano argentina chile colombia españa hace poco hubo un día en el que una gran cantidad de personas tanto monacales el quinto sonido es el sonido que trasciende todos los sonidos del mundo es el sonido de la impermanencia nos recuerda que no debemos quedarnos

**silencio el poder de la quietud en un mundo ruido** - Feb 19 2022

web silencio el poder de la quietud en un mundo ruido is manageable in our digital library an online access to it is set as public hence you can download it instantly our digital library saves in fused countries allowing you to

silencio el poder de la quietud en un mundo ruidoso - Jun 25 2022

web silencio el poder de la quietud en un mundo ruidoso crecimiento personal edición kindle por thich nhat hanh autor núaia martí p rez traductor formato edici n kindle 4 7 1 123 calificaciones ver todos los formatos y ediciones kindle 102 00 leer con nuestra aplicaci n gratuita

**silencio el poder de la quietud en un mundo ruidoso** - Aug 08 2023

web mediante t cnicas basadas en el mindfulness y la respiraci n thich nhat hanh nos ense a a cultivar la quietud en el devenir del d a a d a porque solo en silencio descubriremos qui nes somos y cu l es nuestro prop sito en la vida

*silencio el poder de la quietud en un mundo ruido padre* - Mar 23 2022

web silencio el poder de la quietud en un mundo ruido is available in our digital library an online access to it is set as public so you can download it instantly our books collection saves in multiple countries allowing you to get the most less latency time to download any of our books like this one merely said the silencio el poder de la

*silencio el poder de la quietud en un mundo ruidoso* - Apr 23 2022

web may 29 2020 silencio el poder de la quietud en un mundo ruidoso de thich nhat hanh es una obra budista contempor nea en la que el autor ofrece una herramienta poderosa con la que vivir una vida con m s atenci n recuerdo mi viaje de fin de curso a italia uno de los  ltimos d as en roma estaba con algunos de mis compa eros en un restaurante

*silencio el poder de la quietud en un mundo ruidoso goodreads* - Apr 04 2023

web mediante t cnicas basadas en el mindfulness y la respiraci n thich nhat hanh nos ense a a cultivar la quietud en el devenir del d a a d a porque solo en silencio descubriremos qui nes somos y cu l es nuestro prop sito en la vida

silencio el poder de la quietud en un mundo ruidoso - Jul 27 2022

web silencio el poder de la quietud en un mundo ruidoso se trata de una obra maestra de thich nhat hanh titulada quien te invita a explorar el arte de la quietud y c mo puede ayudarte a encontrar la paz en medio del caos de la vida moderna

**silencio el poder de la quietud en un mundo ruidoso** - Jan 01 2023

web feb 15 2016 buy silencio el poder de la quietud en un mundo ruidoso crecimiento personal spanish edition read kindle store reviews amazon com

[silencio el poder de la quietud en un mundo ruidoso](#) - May 25 2022

web jan 4 2023 el poder de la quietud en un mundo ruidoso actualizado el 01 04 2023 en esta ocasión os propongo el título silencio el poder de la quietud en un mundo ruidoso de uno de los líderes espirituales que más

*silencio el poder de la quietud en un mundo ruidoso tapa blanda* - Sep 28 2022

web nominado al premio nobel de la paz el maestro budista thich nhat hanh es uno de los líderes espirituales más reconocidos del mundo el autor explora el poder del silencio y ofrece consejos prácticos para ayudarnos a encontrar a través de él la felicidad la paz y nuestro propósito vital una obra que conjuga profundas reflexiones con

*silencio el poder de la quietud en un mundo* - Nov 30 2022

web mediante técnicas basadas en el mindfulness y la respiración thich nhat hanh nos enseña a cultivar la quietud en el devenir del día a día porque solo en silencio descubriremos quiénes somos y cuál es nuestro propósito en la vida

**silencio el poder de la quietud en un mundo ruidoso** - Feb 02 2023

web mediante técnicas basadas en el mindfulness y la respiración thich nhat hanh nos enseña a cultivar la quietud en el devenir del día a día porque solo en silencio descubriremos quiénes somos y cuál es nuestro propósito en la vida que son las dos claves de la paz y la felicidad leer más