

Page Thumbnails

196

197

198

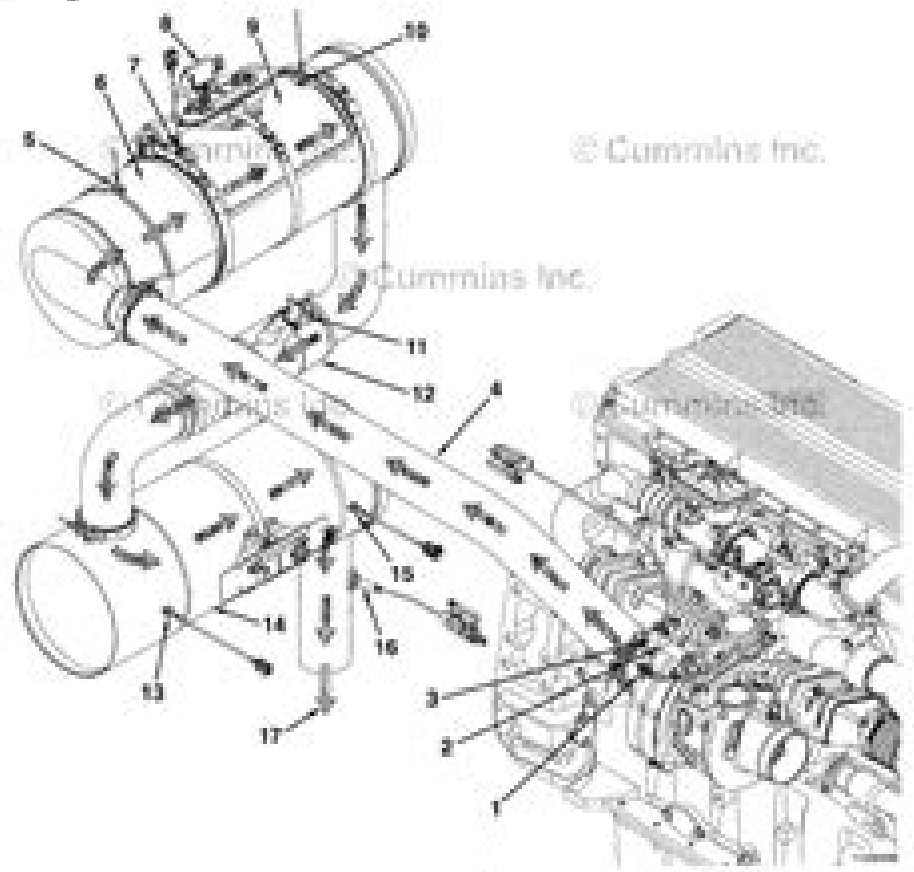
199

Flow Diagram, Exhaust System
Page 0-19

ISX15 OM250
Section 0 - System Diagrams

Flow Diagram, Exhaust System

Flow Diagram



Aftertreatment System

- 1 Exhaust from turbocharger
- 2 Aftertreatment inlet NOx sensor
- 3 Aftertreatment fuel doser
- 4 Exhaust pipe with exhaust mixture
- 5 Aftertreatment diesel oxidation catalyst (DOC) intake temperature sensor

Cummins Labor Guide

K Morrison



Cummins Labor Guide:

Yeah, reviewing a books **Cummins Labor Guide** could go to your close connections listings. This is just one of the solutions for you to be successful. As understood, completion does not recommend that you have wonderful points.

Comprehending as skillfully as bargain even more than further will have enough money each success. next-door to, the declaration as without difficulty as acuteness of this Cummins Labor Guide can be taken as with ease as picked to act.

<https://py.bijouxmedusa.com/About/Resources/default.aspx/lean%20six%20sigma%20and%20minitab%20the%20complete%20toolbox%20for%20business%20improvement.pdf>

Table of Contents Cummins Labor Guide

1. Understanding the eBook Cummins Labor Guide
 - The Rise of Digital Reading Cummins Labor Guide
 - Advantages of eBooks Over Traditional Books
2. Identifying Cummins Labor Guide
 - Exploring Different Genres
 - Considering Fiction vs. Non-Fiction
 - Determining Your Reading Goals
3. Choosing the Right eBook Platform
 - Popular eBook Platforms
 - Features to Look for in an Cummins Labor Guide
 - User-Friendly Interface
4. Exploring eBook Recommendations from Cummins Labor Guide
 - Personalized Recommendations
 - Cummins Labor Guide User Reviews and Ratings
 - Cummins Labor Guide and Bestseller Lists
5. Accessing Cummins Labor Guide Free and Paid eBooks
 - Cummins Labor Guide Public Domain eBooks

- Cummins Labor Guide eBook Subscription Services
- Cummins Labor Guide Budget-Friendly Options
- 6. Navigating Cummins Labor Guide eBook Formats
 - ePub, PDF, MOBI, and More
 - Cummins Labor Guide Compatibility with Devices
 - Cummins Labor Guide Enhanced eBook Features
- 7. Enhancing Your Reading Experience
 - Adjustable Fonts and Text Sizes of Cummins Labor Guide
 - Highlighting and Note-Taking Cummins Labor Guide
 - Interactive Elements Cummins Labor Guide
- 8. Staying Engaged with Cummins Labor Guide
 - Joining Online Reading Communities
 - Participating in Virtual Book Clubs
 - Following Authors and Publishers Cummins Labor Guide
- 9. Balancing eBooks and Physical Books Cummins Labor Guide
 - Benefits of a Digital Library
 - Creating a Diverse Reading Collection Cummins Labor Guide
- 10. Overcoming Reading Challenges
 - Dealing with Digital Eye Strain
 - Minimizing Distractions
 - Managing Screen Time
- 11. Cultivating a Reading Routine Cummins Labor Guide
 - Setting Reading Goals Cummins Labor Guide
 - Carving Out Dedicated Reading Time
- 12. Sourcing Reliable Information of Cummins Labor Guide
 - Fact-Checking eBook Content of Cummins Labor Guide
 - Distinguishing Credible Sources
- 13. Promoting Lifelong Learning
 - Utilizing eBooks for Skill Development
 - Exploring Educational eBooks

14. Embracing eBook Trends

- Integration of Multimedia Elements
- Interactive and Gamified eBooks

Cummins Labor Guide Introduction

Free PDF Books and Manuals for Download: Unlocking Knowledge at Your Fingertips In today's fast-paced digital age, obtaining valuable knowledge has become easier than ever. Thanks to the internet, a vast array of books and manuals are now available for free download in PDF format. Whether you are a student, professional, or simply an avid reader, this treasure trove of downloadable resources offers a wealth of information, conveniently accessible anytime, anywhere. The advent of online libraries and platforms dedicated to sharing knowledge has revolutionized the way we consume information. No longer confined to physical libraries or bookstores, readers can now access an extensive collection of digital books and manuals with just a few clicks. These resources, available in PDF, Microsoft Word, and PowerPoint formats, cater to a wide range of interests, including literature, technology, science, history, and much more. One notable platform where you can explore and download free Cummins Labor Guide PDF books and manuals is the internet's largest free library. Hosted online, this catalog compiles a vast assortment of documents, making it a veritable goldmine of knowledge. With its easy-to-use website interface and customizable PDF generator, this platform offers a user-friendly experience, allowing individuals to effortlessly navigate and access the information they seek. The availability of free PDF books and manuals on this platform demonstrates its commitment to democratizing education and empowering individuals with the tools needed to succeed in their chosen fields. It allows anyone, regardless of their background or financial limitations, to expand their horizons and gain insights from experts in various disciplines. One of the most significant advantages of downloading PDF books and manuals lies in their portability. Unlike physical copies, digital books can be stored and carried on a single device, such as a tablet or smartphone, saving valuable space and weight. This convenience makes it possible for readers to have their entire library at their fingertips, whether they are commuting, traveling, or simply enjoying a lazy afternoon at home. Additionally, digital files are easily searchable, enabling readers to locate specific information within seconds. With a few keystrokes, users can search for keywords, topics, or phrases, making research and finding relevant information a breeze. This efficiency saves time and effort, streamlining the learning process and allowing individuals to focus on extracting the information they need. Furthermore, the availability of free PDF books and manuals fosters a culture of continuous learning. By removing financial barriers, more people can access educational resources and pursue lifelong learning, contributing to personal growth and professional development. This democratization of knowledge promotes intellectual curiosity and empowers individuals to become lifelong learners, promoting progress and innovation in various fields. It is worth noting that while

accessing free Cummins Labor Guide PDF books and manuals is convenient and cost-effective, it is vital to respect copyright laws and intellectual property rights. Platforms offering free downloads often operate within legal boundaries, ensuring that the materials they provide are either in the public domain or authorized for distribution. By adhering to copyright laws, users can enjoy the benefits of free access to knowledge while supporting the authors and publishers who make these resources available. In conclusion, the availability of Cummins Labor Guide free PDF books and manuals for download has revolutionized the way we access and consume knowledge. With just a few clicks, individuals can explore a vast collection of resources across different disciplines, all free of charge. This accessibility empowers individuals to become lifelong learners, contributing to personal growth, professional development, and the advancement of society as a whole. So why not unlock a world of knowledge today? Start exploring the vast sea of free PDF books and manuals waiting to be discovered right at your fingertips.

FAQs About Cummins Labor Guide Books

What is a Cummins Labor Guide PDF? A PDF (Portable Document Format) is a file format developed by Adobe that preserves the layout and formatting of a document, regardless of the software, hardware, or operating system used to view or print it. **How do I create a Cummins Labor Guide PDF?** There are several ways to create a PDF: Use software like Adobe Acrobat, Microsoft Word, or Google Docs, which often have built-in PDF creation tools. Print to PDF: Many applications and operating systems have a "Print to PDF" option that allows you to save a document as a PDF file instead of printing it on paper. Online converters: There are various online tools that can convert different file types to PDF. **How do I edit a Cummins Labor Guide PDF?** Editing a PDF can be done with software like Adobe Acrobat, which allows direct editing of text, images, and other elements within the PDF. Some free tools, like PDFescape or Smallpdf, also offer basic editing capabilities. **How do I convert a Cummins Labor Guide PDF to another file format?** There are multiple ways to convert a PDF to another format: Use online converters like Smallpdf, Zamzar, or Adobe Acrobats export feature to convert PDFs to formats like Word, Excel, JPEG, etc. Software like Adobe Acrobat, Microsoft Word, or other PDF editors may have options to export or save PDFs in different formats. **How do I password-protect a Cummins Labor Guide PDF?** Most PDF editing software allows you to add password protection. In Adobe Acrobat, for instance, you can go to "File" -> "Properties" -> "Security" to set a password to restrict access or editing capabilities. Are there any free alternatives to Adobe Acrobat for working with PDFs? Yes, there are many free alternatives for working with PDFs, such as: LibreOffice: Offers PDF editing features. PDFsam: Allows splitting, merging, and editing PDFs. Foxit Reader: Provides basic PDF viewing and editing capabilities. How do I compress a PDF file? You can use online tools like Smallpdf, ILovePDF, or desktop software like Adobe

Acrobat to compress PDF files without significant quality loss. Compression reduces the file size, making it easier to share and download. Can I fill out forms in a PDF file? Yes, most PDF viewers/editors like Adobe Acrobat, Preview (on Mac), or various online tools allow you to fill out forms in PDF files by selecting text fields and entering information. Are there any restrictions when working with PDFs? Some PDFs might have restrictions set by their creator, such as password protection, editing restrictions, or print restrictions. Breaking these restrictions might require specific software or tools, which may or may not be legal depending on the circumstances and local laws.

Find Cummins Labor Guide :

lean six sigma and minitab the complete toolbox for business improvement

lesson 8 3 practice answers

leadership books leadership how to improve leadership skills and management skills and how to become a successful leader

leadership books and management habits and effective leadership book 1

latin america and the united states a documentary history

lembar data keamanan material aseton msds sla1645 sla3151

libri di chimica ambientale

linear algebra david poole solutions manual

ldn muscle bulking bible bodybuilding com forums

language files answer key 11th edition

learning sparc

lingua latina per se illustrata pars ii roma aeterna

lenovo l ig41m2 bios bin file

lektyra agimet e kaltra qamil batalli

linear integrated circuits choudhury fourth edition

learn to listen listen to learn 2 academic listening and note taking student book and classroom audio cd 3rd edition

Cummins Labor Guide :

in the tall grass by stephen king goodreads - May 12 2023

web oct 9 2012 25 673 ratings2 705 reviews mile 81 meets n in this e book collaboration between stephen king and joe hill in the tall grass begins with a sister and brother who pull off to the side of the road after hearing a young boy

watch in the tall grass netflix official site - Apr 11 2023

web in the tall grass 2019 maturity rating tv ma 1h 41m horror after hearing a boy s cry for help a pregnant woman and her brother wade into a vast field of grass only to discover there may be no way out

[in the tall grass review stephen king netflix horror gets lost in](#) - Jan 08 2023

web oct 4 2019 while in jeepers creepers the siblings ventured into a pit of corpses only to become targeted by an evil organ consuming monster this time they re dragged into a field concerned by the cries

in the tall grass film wikipedia - Sep 04 2022

web in the tall grass is a 2019 canadian supernatural horror drama film written and directed by vincenzo natali it is based on stephen king and joe hill s 2012 novella of the same name it stars harrison gilbertson laysla de oliveira avery whitted will buie jr rachel wilson and patrick wilson

in the tall grass film analizi detaylı İncelemesi 2023 - Jun 13 2023

web oct 8 2019 netflix te yayınlanan in the tall grass uzun otların İçerisinde adlı film korku drama ve gizem etiketleriyle yayınlanan bir yapım bu yazında stephen king in romanından beyaz perdeye aktarılan bu yapım üzerine konuşalım in the tall grass filminin konusu

read the into the tall grass story by stephen king that - Feb 09 2023

web oct 10 2019 read stephen king and joe hill s terrifying short story that is now a netflix film a pregnant woman and her brother get lost in a mysterious kansas field by stephen king and joe hill

in the tall grass film stephen king wiki fandom - Jan 28 2022

web sep 20 2019 in the tall grass is a 2019 canadian horror drama film written and directed by vincenzo natali and starring patrick wilson it is based on stephen king and joe hill s 2012 novella in the tall grass the film had its world premiere at fantastic fest on september 20 2019 and is scheduled to be

in the tall grass official trailer 2019 stephen king youtube - Mar 30 2022

web sep 17 2019 in the tall grass official trailer 2019 stephen king patrick wilson netflix movie hd 2019 netflixcomedy kids family and animated film blockbuster

in the tall grass review stephen king joe hill s film - Feb 26 2022

web sep 21 2019 stephen king and joe hill s nasty short story in the tall grass comes to life in vincenzo natali s mostly successful adaptation

[in the tall grass by stephen king joe hill barnes noble](#) - Jun 01 2022

web oct 9 2012 a brother and sister pull over on a deserted stretch of highway upon hearing a child call for help from the tall grass what ensues is part classic horror getting lost in a changing landscape of tall grass and part classic king shock

terror and gore lang s dramatic undertones create an atmosphere of suspense that permeates throughout

[stephen king in the tall grass](#) - Jul 14 2023

web in the tall grass begins with a sister and brother who pull off to the side of the road after hearing a young boy crying for help from beyond the tall grass within minutes they are disoriented in deeper than seems possible and they ve lost one another

in the tall grass stephen king wiki fandom - Jul 02 2022

web oct 9 2012 stephen king release date october 9 2012 source in the tall grass is a novella co written by stephen king and joe hill who had previously collaborated on the novella throttle first published in the june july 2012 issue of esquire the story was made available for download through the amazon kindle on 9 october 2012 summary

in the tall grass review netflix gets stephen king right polygon - Dec 07 2022

web oct 5 2019 vincenzo natali splice cube keeps things simple and foreboding in this adaptation of king and joe hill s short story about an evil field of grass if you need a halloween movie to stream

in the tall grass ebook audiobook coming october 9th stephen king - Oct 05 2022

web stephen king joe hill in the tall grass begins with a sister and brother who pull off to the side of the road after hearing a young boy crying for help from beyond the tall grass within minutes they are disoriented in deeper than

[in the tall grass wikipedia](#) - Aug 15 2023

web in the tall grass is a horror novella by american writers stephen king and his son joe hill it was originally published in two parts in the june july and august 2012 issues of esquire magazine this is king and hill s second collaboration following 2009 s throttle

in the tall grass rotten tomatoes - Aug 03 2022

web in the tall grass is nothing more than a serviceable dread concoction as netflix tries to make hay while the sun shines on stephen king adaptations but even in netflix s stephen king catalogue

in the tall grass stephen king joe hill google books - Apr 30 2022

web oct 9 2012 in the tall grass stephen king joe hill simon and schuster oct 9 2012 fiction 60 pages now a major motion picture streaming on netflix mile 81 meets n in this novella collaboration between stephen king and joe hill as usa today said of stephen king s mile 81 park and scream

[stephen king in the tall grass](#) - Mar 10 2023

web oct 4 2019 from the box after hearing a young boy s cry for help a sister and brother venture into a vast field of grass in kansas but soon discover that there may be no way out

in the tall grass king stephen hill joe lang stephen - Nov 06 2022

web oct 9 2012 in the tall grass by stephen king and joe hill is a mix of horror science fiction and supernatural suspense there s a moment where i had a flashback to the tommyknockers the grass field itself made me think of the fairy circles which trap unsuspecting travelers

in the tall grass explained stephen king s story vs the - Dec 27 2021

web oct 30 2019 in the tall grass powered by reelgood welcome to streamin king a series grave digging through the myriad stephen king adaptations available on your favorite streaming services this time

veta spoken english training class malayalam spoken english - Oct 13 2022

web jun 13 2019 veta spoken english training class malayalam spoken english vetaglobal 2 52k subscribers subscribe 1 share save 244 views 4 years ago spoken english training institute

veta spoken english careers and employment indeed com - Feb 05 2022

web find out what works well at veta spoken english from the people who know best get the inside scoop on jobs salaries top office locations and ceo insights compare pay for popular roles and read about the team s work life balance uncover why veta spoken english is the best company for you

veta english linkedin - Dec 15 2022

web show more this division of veta deals with spoken english training for business organizations institutions the corporate training division of veta handles spoken english training

veta spoken english british school of language - Nov 14 2022

web veta spoken english 5 0 rating 9 reviews address sunny meads ln near jubilee hospital university of kerala senate house campus palayam thiruvananthapuram kerala 695034 phone 09349351523 state kerala city thiruvananthapuram visit website not verified read all reviews on google popular categories

veta s spoken english training youtube - May 20 2023

web jun 14 2019 spoken english training spoken written business communication if you are looking for the english training experts welcome to veta

veta spoken english boring rd sri krishna puri patna - Sep 12 2022

web veta spoken english in 150f boring rd sri krishna puri patna 800001 get fees big discounts reviews batch timings ratings contact number and more about veta spoken english on studydekho com

veta academy spoken english coaching centre collegedunia - Mar 06 2022

web 9 900 120 hours type of program regular classroom programs total apply now download brochure about course fluent english level 1 complete vocabulary based spoken english training the main goals of this level are to improve pronunciation vocabulary sentence structure and their natural integration into a conversation

[veta spoken english](#) - Nov 02 2021

web veta spoken english 5 0 rating 10 reviews address clock tower no 81 82 1st floor municipal complex anantapur andhra pradesh 515001 phone 07702467755 state andhra pradesh city anantapur visit website not verified read all reviews on google popular categories

vetaglobal youtube - Feb 17 2023

web veta is the largest corporate entity in the spoken english industry since 1981 veta has trained more than 35 lakh people in communicative skills in english

veta spoken english yelahanka english language school in - Jan 16 2023

web apr 21 2021 veta spoken english yelahanka english language school in yelahanka new town opening at 10 00 call 074833 47126get directionswhatsapp 074833 47126message 074833 47126contact usget quotefind tablemake appointmentplace orderview menu updates all courses are almost free dec 11 2021 jan 3

[veta dwarka experts in english](#) - Jul 22 2023

web veta dwarka experts in english experts in english open today until 6 00 pm contact us updates special discount on diwali oct 23 2021 oct 30 2021 show this code at the store posted on oct 8 2021 veta is offering upto 50 percent to all the students on all the courses in festive season book posted on jun 16 2021

[veta spoken english training centre ambitionbox](#) - Jul 10 2022

web mar 10 2021 get insights about veta spoken english training centre company profile reviews salaries interviews questions offices locations headquarters employee benefits and more ambitionbox discover best places to work in india *english speaking courses spoken english summer classes* - Jun 21 2023

web veta is one of the premier institutions that offer a variant of summer classes for spoken english personality development and also specific english booster courses for business people

spoken english coaching centre learn spoken english india veta - Aug 23 2023

web veta the leading spoken english coaching centre in chennai india equips you with the skill of english communication through its variety of spoken english courses

veta spoken english websites and posts on veta spoken english - Jan 04 2022

web veta the leading spoken english coaching centre in chennai india equips you with the skill of english communication through its variety of spoken english courses veta in spoken english coaching centre learn spoken english india spoken english courses in chennai

veta english speaking course in india read details and - Mar 18 2023

web dec 16 2010 veta offers english speaking courses in india for everyone these courses not only help improve spoken

english but also helps you gain confidence read reviews of veta english speaking course find their course duration and fees
veta spoken english 22 dec 2017 exercise part 1 youtube - Apr 07 2022

web dec 22 2017 0 00 2 20 veta spoken english 22 dec 2017 exercise part 1 tech veta 87 1k subscribers subscribe 9 share
825 views 5 years ago veta spoken english 22 dec 2017 exercise part 1

veta spoken english surat facebook - Jun 09 2022

web veta spoken english surat gujarat 1 207 likes 17 were here the only organization with centres across india trained more
than 3 4 million learners learn shar

spoken english coaching centre learn spoken english india spoken - Dec 03 2021

web veta the leading spoken english coaching centre in chennai india equips you with the skill of english communication
through its variety of spoken english courses 94443 23000 9962209281 about veta

veta veta - Apr 19 2023

web training in english spoken learn spoken english business english written and business communication if you are looking
for the experts welcome to veta veta is the largest corporate entity in the spoken english industry veta is the corporate
language class best place to learn english understand spoken english with fluency fluent english

veta spoken english training vetaspookenenglish instagram - May 08 2022

web 8 followers 0 following 16 posts see instagram photos and videos from veta spoken english training vetaspookenenglish
veta india s largest spoken english training academy urbanpro - Aug 11 2022

web overview veta asia s largest premier academy for teaching spoken english has 250 centres across india with its
international office in singapore training more than 2 2 million people speak english fluently is by no means an easy task

claves ecofeministas para rebeldes que aman a la tierra y a los - Apr 30 2022

web claves ecofeministas para rebeldes que aman a la tierra y a los animales puleo alicia h amazon com tr kitap

claves ecofeministas para rebeldes que aman a la tierra y a los - May 12 2023

web jun 11 2019 pdf claves ecofeministas para rebeldes que aman a la tierra y a los animales cubierta indice e introducciÓn
del libro preprint claves ecofeministas para rebeldes que aman a la

claves ecofeministas para rebeldes que aman a la tierra y a los - Oct 05 2022

web mar 15 2019 claves ecofeministas para rebeldes que aman a la tierra y a los animales spanish edition puleo alicia h
perales blanco verónica on amazon com free shipping on qualifying offers claves ecofeministas para rebeldes que aman a la
tierra y a los animales spanish edition

claves ecofeministas para rebeldes que aman a la tierra y a los - Feb 26 2022

web claves ecofeministas para rebeldes que aman a la tierra y a los animales puleo alicia h 19 700 con lenguaje claro e

ilustraciones evocadoras este libro nos ofrece las claves de un pensamiento contemporáneo emergente qué es el ecofeminismo cómo ha surgido y evolucionado

claves ecofeministas para rebeldes que aman a la tierra y a los - Mar 10 2023

web sinopsis de claves ecofeministas para rebeldes que aman a la tierra y a los animales con lenguaje claro e ilustraciones evocadoras este libro nos ofrece las claves de un pensamiento contemporáneo emergente qué es el ecofeminismo cómo ha surgido y evolucionado qué nos dice con respecto a nuestros cuerpos y nuestra

claves ecofeministas para rebeldes que aman a la tierra y a - Jun 13 2023

web claves ecofeministas para rebeldes que aman a la tierra y a los animales alicia h puleo ilustrado por verónica perales plaza y valdés editores madrid 2019 163 páginas pvp 11 40 alicia h puleo buenos aires 1952 es filósofa profesora y escritora

claves ecofeministas para rebeldes que aman a la tierra y a los - Apr 11 2023

web un libro claro y riguroso en el que la autora nos explica las claves del ecofeminismo de una manera sencilla que no simple en consonancia con el tiempo que nos está tocando vivir cambio climático neoliberalismo desaparición de biodiversidad feminismo

lectura recomendada claves ecofeministas fuhem - Sep 04 2022

web aug 31 2021 reseña de claves ecofeministas para rebeldes que aman a la tierra y a los animales de alicia puleo publicada en el número 154 de papeles de relaciones ecosociales y cambio global

claves ecofeministas para rebeldes que aman a la tierra - Feb 09 2023

web para rebeldes que aman a la tierra y a los animales alicia h puleo verónica perales illustrator 4 08 132 ratings 11 reviews con lenguaje claro e ilustraciones evocadoras este libro nos ofrece las claves de un pensamiento contemporáneo emergente qué es el ecofeminismo cómo ha surgido y evolucionado

claves ecofeministas plaza y valdés editores - Aug 15 2023

web mar 15 2019 claves ecofeministas para rebeldes que aman a la tierra y a los animales alicia h puleo materia género isbn 978 84 17121 21 1 ean 9788417121211 tamaño 13 x 19 5 cm páginas 168 publicación 15 03 2019 p v p 12 00

claves ecofeministas para rebeldes que aman a la tierra y a los - Jul 02 2022

web un libro claro y riguroso en el que la autora nos explica las claves del ecofeminismo de una manera sencilla que no simple en consonancia con el tiempo que nos está tocando vivir cambio climático neoliberalismo desaparición de biodiversidad feminismo

claves ecofeministas para rebeldes que aman a la tierra y a los - Jan 28 2022

web mar 15 2019 el autor de claves ecofeministas para rebeldes que aman a la tierra y a los animales con isbn 978 84 17 12121 1 es alicia h puleo las ilustraciones de este libro son de verónica perales blanco esta publicación tiene ciento sesenta y

claves ecofeministas red ecofeminista free download - Dec 27 2021

web mar 29 2019 el 21 de marzo de 2019 se hizo en la librería traficantes de sueños en madrid la primera presentación de claves ecofeministas para rebeldes que aman a la tierra y a los animales de alicia puleo una obra que tal y como dijo en la presentación la periodista animalista ruth toledano bien podría convertirse en un manifiesto

reseña de puleo 2019 claves ecofeministas para rebeldes que aman la - Jun 01 2022

web en el libro claves ecofeministas para rebeldes que aman la tierra y a los animales alicia h puleo a través de un lenguaje claro e ilustraciones evocadoras explica los fundamentos de la ideología ecofeminista

claves ecofeministas para rebeldes que aman a la tierra y la os - Nov 06 2022

web cómo cultivar una ética del cuidado en la vida cotidiana la ciencia y la tecnología qué características debe tener una educación ambiental ecofeminista es la violencia hacia los animales una práctica patriarcal cómo se transforman las identidades de género gracias a las nuevas formas de sensibilidad y conciencia hacia los

claves ecofeministas para rebeldes que aman a la tierra y a los - Jan 08 2023

web para rebeldes que aman a la tierra y a los animales con lenguaje claro e ilustraciones evocadoras este libro nos ofrece las claves de un pensamiento contemporáneo emergente qué es el claves ecofeministas para rebeldes que aman a la tierra y a los animales traficantes de sueños

pdf claves ecofeministas para rebeldes que aman a la tierra y a los - Jul 14 2023

web 2019 claves ecofeministas para rebeldes que aman a la tierra y a los animales con lenguaje claro e ilustraciones evocadoras este libro nos ofrece las claves de un pensamiento contemporáneo emergente qué es el ecofeminismo cómo ha surgido y evolucionado qué nos dice con respecto a nuestros cuerpos y nuestra sexualidad

claves ecofeministas para rebeldes que aman a la tierra y a los - Aug 03 2022

web claves ecofeministas para rebeldes que aman a la tierra y a los animales carmen peinado andújar irene gómez olano romero papeles de relaciones ecosociales y cambio global issn 1888 0576 nº 154 2021 págs 126 128 alicia h puleo 2019

claves ecofeministas para rebeldes que aman la tierra y a los animales madrid plaza y

[claves ecofeministas para rebeldes que aman a la tierra y a los](#) - Dec 07 2022

web nov 26 2020 rodríguez a de mas c jovany j 2020 claves ecofeministas para rebeldes que aman a la tierra y a los animales alicia h puleo 24 561 564 recuperado a partir de revistas uam es bajopalabra article view bp2020 24 resena4 más formatos de cita

[claves ecofeministas para rebeldes que aman a la tierra y a los](#) - Mar 30 2022

web compre online claves ecofeministas para rebeldes que aman a la tierra y a los animales de puleo alicia h perales blanco verónica na amazon frete grÁtis em milhares de produtos com o amazon prime

