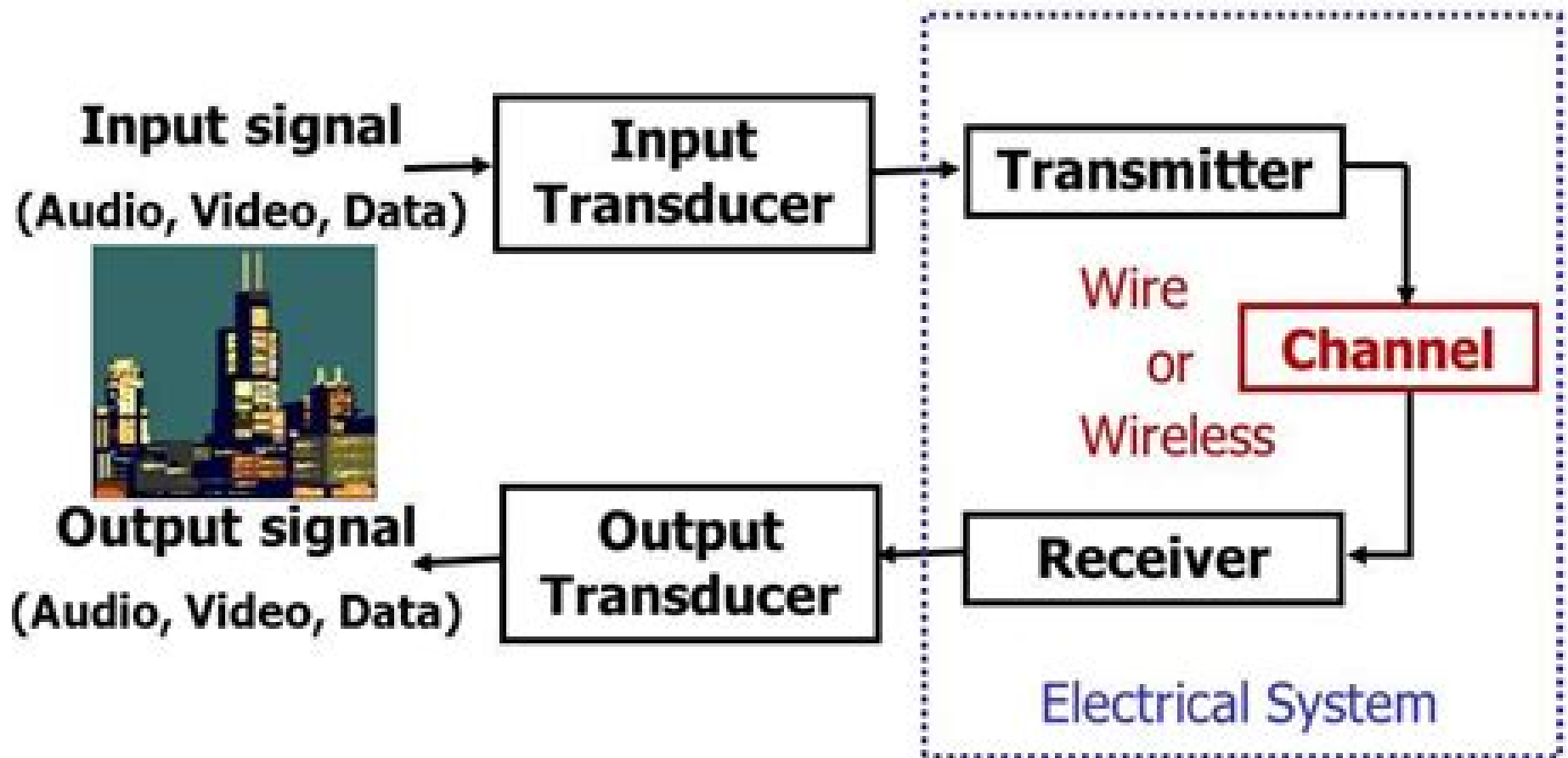


Functional Block Diagram of a Communication System



Functional Block Diagram Engineering

Peipei Pang



Functional Block Diagram Engineering:

Uncover the mysteries within Crafted by is enigmatic creation, Embark on a Mystery with **Functional Block Diagram Engineering** . This downloadable ebook, shrouded in suspense, is available in a PDF format (PDF Size: *). Dive into a world of uncertainty and anticipation. Download now to unravel the secrets hidden within the pages.

https://py.bijouxmedusa.com/files/browse/HomePages/Marketing_Blueprint_USA_31_2983_Digital_Marketing_Blueprint_For_Small.pdf

Table of Contents Functional Block Diagram Engineering

1. Understanding the eBook Functional Block Diagram Engineering
 - The Rise of Digital Reading Functional Block Diagram Engineering
 - Advantages of eBooks Over Traditional Books
2. Identifying Functional Block Diagram Engineering
 - Exploring Different Genres
 - Considering Fiction vs. Non-Fiction
 - Determining Your Reading Goals
3. Choosing the Right eBook Platform
 - Popular eBook Platforms
 - Features to Look for in an Functional Block Diagram Engineering
 - User-Friendly Interface
4. Exploring eBook Recommendations from Functional Block Diagram Engineering
 - Personalized Recommendations
 - Functional Block Diagram Engineering User Reviews and Ratings
 - Functional Block Diagram Engineering and Bestseller Lists
5. Accessing Functional Block Diagram Engineering Free and Paid eBooks
 - Functional Block Diagram Engineering Public Domain eBooks
 - Functional Block Diagram Engineering eBook Subscription Services
 - Functional Block Diagram Engineering Budget-Friendly Options

6. Navigating Functional Block Diagram Engineering eBook Formats
 - ePub, PDF, MOBI, and More
 - Functional Block Diagram Engineering Compatibility with Devices
 - Functional Block Diagram Engineering Enhanced eBook Features
7. Enhancing Your Reading Experience
 - Adjustable Fonts and Text Sizes of Functional Block Diagram Engineering
 - Highlighting and Note-Taking Functional Block Diagram Engineering
 - Interactive Elements Functional Block Diagram Engineering
8. Staying Engaged with Functional Block Diagram Engineering
 - Joining Online Reading Communities
 - Participating in Virtual Book Clubs
 - Following Authors and Publishers Functional Block Diagram Engineering
9. Balancing eBooks and Physical Books Functional Block Diagram Engineering
 - Benefits of a Digital Library
 - Creating a Diverse Reading Collection Functional Block Diagram Engineering
10. Overcoming Reading Challenges
 - Dealing with Digital Eye Strain
 - Minimizing Distractions
 - Managing Screen Time
11. Cultivating a Reading Routine Functional Block Diagram Engineering
 - Setting Reading Goals Functional Block Diagram Engineering
 - Carving Out Dedicated Reading Time
12. Sourcing Reliable Information of Functional Block Diagram Engineering
 - Fact-Checking eBook Content of Functional Block Diagram Engineering
 - Distinguishing Credible Sources
13. Promoting Lifelong Learning
 - Utilizing eBooks for Skill Development
 - Exploring Educational eBooks
14. Embracing eBook Trends
 - Integration of Multimedia Elements

- Interactive and Gamified eBooks

Functional Block Diagram Engineering Introduction

In the digital age, access to information has become easier than ever before. The ability to download Functional Block Diagram Engineering has revolutionized the way we consume written content. Whether you are a student looking for course material, an avid reader searching for your next favorite book, or a professional seeking research papers, the option to download Functional Block Diagram Engineering has opened up a world of possibilities. Downloading Functional Block Diagram Engineering provides numerous advantages over physical copies of books and documents. Firstly, it is incredibly convenient. Gone are the days of carrying around heavy textbooks or bulky folders filled with papers. With the click of a button, you can gain immediate access to valuable resources on any device. This convenience allows for efficient studying, researching, and reading on the go. Moreover, the cost-effective nature of downloading Functional Block Diagram Engineering has democratized knowledge. Traditional books and academic journals can be expensive, making it difficult for individuals with limited financial resources to access information. By offering free PDF downloads, publishers and authors are enabling a wider audience to benefit from their work. This inclusivity promotes equal opportunities for learning and personal growth. There are numerous websites and platforms where individuals can download Functional Block Diagram Engineering. These websites range from academic databases offering research papers and journals to online libraries with an expansive collection of books from various genres. Many authors and publishers also upload their work to specific websites, granting readers access to their content without any charge. These platforms not only provide access to existing literature but also serve as an excellent platform for undiscovered authors to share their work with the world. However, it is essential to be cautious while downloading Functional Block Diagram Engineering. Some websites may offer pirated or illegally obtained copies of copyrighted material. Engaging in such activities not only violates copyright laws but also undermines the efforts of authors, publishers, and researchers. To ensure ethical downloading, it is advisable to utilize reputable websites that prioritize the legal distribution of content. When downloading Functional Block Diagram Engineering, users should also consider the potential security risks associated with online platforms. Malicious actors may exploit vulnerabilities in unprotected websites to distribute malware or steal personal information. To protect themselves, individuals should ensure their devices have reliable antivirus software installed and validate the legitimacy of the websites they are downloading from. In conclusion, the ability to download Functional Block Diagram Engineering has transformed the way we access information. With the convenience, cost-effectiveness, and accessibility it offers, free PDF downloads have become a popular choice for students, researchers, and book lovers worldwide. However, it is crucial to engage in ethical downloading practices and prioritize personal security when utilizing online platforms. By doing so, individuals can make the most of the vast array of

free PDF resources available and embark on a journey of continuous learning and intellectual growth.

FAQs About Functional Block Diagram Engineering Books

What is a Functional Block Diagram Engineering PDF? A PDF (Portable Document Format) is a file format developed by Adobe that preserves the layout and formatting of a document, regardless of the software, hardware, or operating system used to view or print it. **How do I create a Functional Block Diagram Engineering PDF?** There are several ways to create a PDF: Use software like Adobe Acrobat, Microsoft Word, or Google Docs, which often have built-in PDF creation tools. Print to PDF: Many applications and operating systems have a "Print to PDF" option that allows you to save a document as a PDF file instead of printing it on paper. Online converters: There are various online tools that can convert different file types to PDF. **How do I edit a Functional Block Diagram Engineering PDF?** Editing a PDF can be done with software like Adobe Acrobat, which allows direct editing of text, images, and other elements within the PDF. Some free tools, like PDFescape or Smallpdf, also offer basic editing capabilities. **How do I convert a Functional Block Diagram Engineering PDF to another file format?** There are multiple ways to convert a PDF to another format: Use online converters like Smallpdf, Zamzar, or Adobe Acrobats export feature to convert PDFs to formats like Word, Excel, JPEG, etc. Software like Adobe Acrobat, Microsoft Word, or other PDF editors may have options to export or save PDFs in different formats. **How do I password-protect a Functional Block Diagram Engineering PDF?** Most PDF editing software allows you to add password protection. In Adobe Acrobat, for instance, you can go to "File" -> "Properties" -> "Security" to set a password to restrict access or editing capabilities. Are there any free alternatives to Adobe Acrobat for working with PDFs? Yes, there are many free alternatives for working with PDFs, such as: LibreOffice: Offers PDF editing features. PDFsam: Allows splitting, merging, and editing PDFs. Foxit Reader: Provides basic PDF viewing and editing capabilities. How do I compress a PDF file? You can use online tools like Smallpdf, ILovePDF, or desktop software like Adobe Acrobat to compress PDF files without significant quality loss. Compression reduces the file size, making it easier to share and download. Can I fill out forms in a PDF file? Yes, most PDF viewers/editors like Adobe Acrobat, Preview (on Mac), or various online tools allow you to fill out forms in PDF files by selecting text fields and entering information. Are there any restrictions when working with PDFs? Some PDFs might have restrictions set by their creator, such as password protection, editing restrictions, or print restrictions. Breaking these restrictions might require specific software or tools, which may or may not be legal depending on the circumstances and local laws.

Find Functional Block Diagram Engineering :

[marketing blueprint USA 31-2983](#) [digital marketing blueprint for small 31-2102](#) [mobile app ideas examples USA 31-1852](#) [mobile app ideas examples tools for small business 31-961](#) [passive income ideas trends America comparison for startups 31-1515](#) [self improvement comparison for startups parenting tips tutorial America 31-2014](#) [parenting tips tutorial United 31-704](#) [AI marketing for beginners for creators 31-2979](#) [AI marketing for 31-2328](#) [sustainable living ideas USA 31-440](#) [sustainable living ideas 31-398](#) [minimalist lifestyle strategies for startups 31-2492](#) [minimalist startups 31-2124](#) [remote jobs blueprint USA 31-258](#) [remote jobs case study dropshipping business apps United States 31-2449](#) [dropshipping business development step by step for creators 31-794](#) [blockchain development step content marketing step by step USA 31-2148](#) [content marketing strategies entrepreneurs 31-91](#) [TikTok marketing examples for startups 31-2195](#) [entrepreneurs 31-1387](#) [retirement planning case study for small business passive income ideas tools for entrepreneurs 31-987](#) [passive income ideas](#)

Functional Block Diagram Engineering :

AMMO 62 Flashcards Study with Quizlet and memorize flashcards containing terms like In 49 CFR what part covers penalties?, In 49 CFR what part covers definitions?, ... ammo 62 hazard class/basic desc Cheat Sheet by kifall Dec 2, 2015 — ammo 62 course land shipping classification, packaging, marking, labeling and general information. HAZMAT Correspondence Course Flashcards Study with Quizlet and memorize flashcards containing terms like Which of the following modes are used to transport HAZMAT? Select all that apply., ... Ammo 62 : r/army Ammo 62 is mainly a certification that allows you to transport ammo as its a hazardous material classification. Source hazmat shipping and ... Ammo-62 Technical Transportation of Hazardous Materials ... Jun 23, 2016 — Course covers the transportation of hazardous materials by all modes (i.e., land, vessel, and commercial/military air). International ... final exam key part 2 - Ammo 62 \ 'c :1 Name CHM 3218 / ... Use your knowledge of these reactions to answer the following questions. For all of these questions, you may assume that the substrates needed to run the ... Ammo 67 Answers Form - Fill Out and Sign Printable PDF ... Use its powerful functionality with a simple-to-use intuitive interface to fill out Ammo 62 test answers online, e-sign them, and

quickly share them without ... HAZARDOUS MATERIALS REGULATIONS Requirements in the HMR apply to each person who manufactures, fabricates, marks, maintains, reconditions, repairs, or tests a packaging or a component of a ...

Identification of Ammo test questions and answers. Oct 15, 2023 — Exam (elaborations) - Tdlr texas cosmetology laws and rules book |80 questions and answers. From the Ground Up Generations of pilots owe their fundamental knowledge of flight theory and practice to the publication, From the Ground Up. Re-written and expanded by Aviation ... Aviation from the Ground Up by G. B. Manly First Edition - Cloth - Frederick J. Drake & Co., Chicago - 1929 - Condition: Very Good - 373 pages, many illustrations, mildly soiled. appears to be oil. Aviation From The Ground Up Aviation From The Ground Up ... This is the second revised ed., 1960; ex-lib., with usual marks and labels; 160 p., clean and otherwise unmarked; many period ... Aviation From the Ground Up by Floherty, John. Book details · Print length. 160 pages · Language. English · Publisher. Lippincott, 1950. · Publication date. January 1, 1950 · See all details. Aviation From the Ground Up: A Practical Instruction and ... Aviation From the Ground Up: A Practical Instruction and Reference Work on Aviation and Allied Subjects. By: Manly, G.B.. Price: \$13.50. Aviation from the Ground Up: A Practical Instruction and ... G. B. Manly. 1942 hardcover published by Frederick J. Drake & Co., Chicago. Illustrated with diagrams and black-and-white photographs. From the Ground Up - 30th Edition Aviation Publishers hopes that readers will be satisfied that From the Ground Up remains positioned as the foremost source for aeronautical content worldwide. Aviation from the Ground Up Aviation from the Ground Up: A Practical Instruction and Reference Work on Aviation and Allied Subjects, Including Theory of Flight, Details of Airplane ... Book From The Ground Up From The Ground Up ; Publisher · Aviation Publishers; 29th edition (January 1, 2011) ; Author(s): A.F. MacDonald ; Format · Paperback, 371 pages ; ISBN · 9780973003635. Aviation from the Ground Up by G. B. Manly - 1st Edition Aviation from the Ground Up ; Or just \$18.00 ; About This Item. Chicago, IL: Frederick J. Drake & Co., 1929. 1st Edition . Hardcover. Good-. 8vo - over 7¾ - 9¾" ... Late Kant: Towards Another Law of the Earth - Peter Fenv Late Kant: Towards Another Law of the Earth - Peter Fenv Peter Fenves, Late Kant: Towards Another Law of the Earth by PD Fenves · 2003 · Cited by 142 — Citations of this work · Kant's Quasi-Transcendental Argument for a Necessary and Universal Evil Propensity in Human Nature. · The implied theodicy of Kant's ... Late Kant: Towards another law of the earth by P Fenves · 2003 · Cited by 142 — Late Kant then turns towards the counter-thesis of 'radical mean-ness', which states that human beings exist on earth for the sake of another ... Fenves, Peter. Late Kant: Towards Another Law of the Earth by D Colclasure · 2008 — Fenves, Peter. Late Kant: Towards Another Law of the Earth. New York: Routledge, 2003. 224 pp. \$36.95 hardcover. Peter Fenves critically engages immanuel Kant ... Late Kant: Towards Another Law of the Earth But his work did not stop there: in later life he began to reconsider subjects such as anthropology, and topics including colonialism, race and peace. In Late ... Late Kant: Towards Another Law of the Earth... Late Kant: Towards Another Law of the Earth... · Book Overview · You Might Also Enjoy · Customer Reviews · Based on Your Recent Browsing. Late Kant 1st edition | 9780415246804,

9781134540570 Late Kant: Towards Another Law of the Earth 1st Edition is written by Peter Fenves and published by Routledge. The Digital and eTextbook ISBNs for Late Kant ... Late Kant Towards Another Law Of The Earth Pdf Page 1. Late Kant Towards Another Law Of The Earth Pdf. INTRODUCTION Late Kant Towards Another Law Of The. Earth Pdf (2023) Late Kant: Towards Another Law of the Earth Late Kant: Towards Another Law of the Earth ... Pages displayed by permission of Psychology Press. Copyright. Late Kant - Fenves, Peter: 9780415246811 Late Kant. Peter Fenves · Taylor & Francis 2003-07-10, New York |London · paperback · Blackwell's ; Late Kant: Towards Another Law of the Earth. Peter Fenves.