

N.B. (1) Question No.1 is compulsory.

(2) Attempt any four questions out of remaining six questions.

(3) All dimensions in figures are in mm.

(4) Use your own judgment for any unspecified dimensions assuming suitable data if necessary.

(5) Use only first angle method of projection.

(6) Retain all construction lines.

(7) Figures to the right indicate full marks.

(8) Use both the sides of drawing sheets.

(9) Use scale 1:1 only

1. Figure 1 shows a pictorial view of a Block. Draw the following views:-

(a) Sectional F.V. Looking along arrow X (section B-B)

(b) R.H.S.V

(c) Top View

Insert at least 10 major dimensions

4
4
5
2

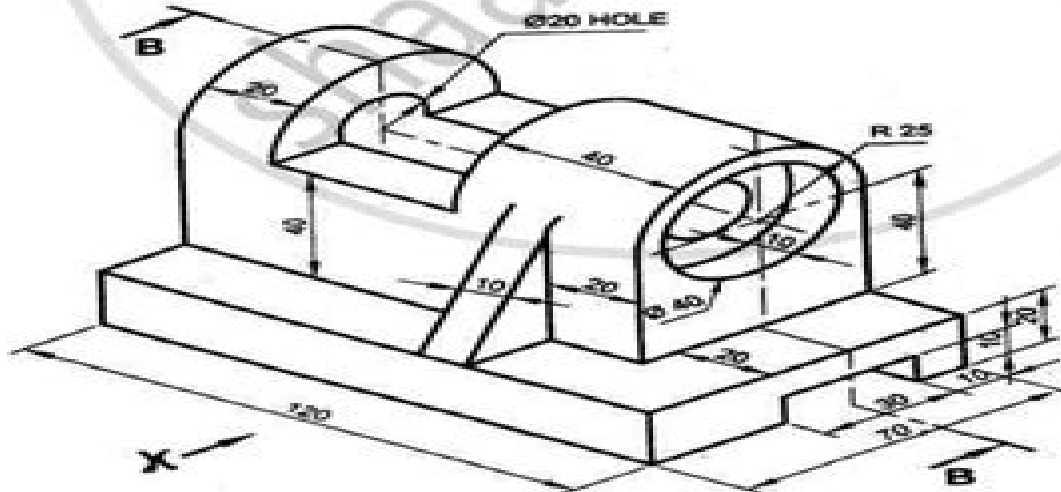


Figure 1.

[TURN OVER

Mechanical Engineering Drawing Exam Paper 2013

Rachel S Tattersall



Mechanical Engineering Drawing Exam Paper 2013:

Immerse yourself in heartwarming tales of love and emotion with Explore Love with is touching creation, **Mechanical Engineering Drawing Exam Paper 2013** . This emotionally charged ebook, available for download in a PDF format (PDF Size: *), is a celebration of love in all its forms. Download now and let the warmth of these stories envelop your heart.

<https://py.bijouxmedusa.com/results/detail/fetch.php/semakan%20keputusan%20dan%20tawaran%20sbp%202018%20tingkatan%204%20e%20rayuan.pdf>

Table of Contents Mechanical Engineering Drawing Exam Paper 2013

1. Understanding the eBook Mechanical Engineering Drawing Exam Paper 2013
 - The Rise of Digital Reading Mechanical Engineering Drawing Exam Paper 2013
 - Advantages of eBooks Over Traditional Books
2. Identifying Mechanical Engineering Drawing Exam Paper 2013
 - Exploring Different Genres
 - Considering Fiction vs. Non-Fiction
 - Determining Your Reading Goals
3. Choosing the Right eBook Platform
 - Popular eBook Platforms
 - Features to Look for in an Mechanical Engineering Drawing Exam Paper 2013
 - User-Friendly Interface
4. Exploring eBook Recommendations from Mechanical Engineering Drawing Exam Paper 2013
 - Personalized Recommendations
 - Mechanical Engineering Drawing Exam Paper 2013 User Reviews and Ratings
 - Mechanical Engineering Drawing Exam Paper 2013 and Bestseller Lists
5. Accessing Mechanical Engineering Drawing Exam Paper 2013 Free and Paid eBooks
 - Mechanical Engineering Drawing Exam Paper 2013 Public Domain eBooks
 - Mechanical Engineering Drawing Exam Paper 2013 eBook Subscription Services
 - Mechanical Engineering Drawing Exam Paper 2013 Budget-Friendly Options

6. Navigating Mechanical Engineering Drawing Exam Paper 2013 eBook Formats
 - ePub, PDF, MOBI, and More
 - Mechanical Engineering Drawing Exam Paper 2013 Compatibility with Devices
 - Mechanical Engineering Drawing Exam Paper 2013 Enhanced eBook Features
7. Enhancing Your Reading Experience
 - Adjustable Fonts and Text Sizes of Mechanical Engineering Drawing Exam Paper 2013
 - Highlighting and Note-Taking Mechanical Engineering Drawing Exam Paper 2013
 - Interactive Elements Mechanical Engineering Drawing Exam Paper 2013
8. Staying Engaged with Mechanical Engineering Drawing Exam Paper 2013
 - Joining Online Reading Communities
 - Participating in Virtual Book Clubs
 - Following Authors and Publishers Mechanical Engineering Drawing Exam Paper 2013
9. Balancing eBooks and Physical Books Mechanical Engineering Drawing Exam Paper 2013
 - Benefits of a Digital Library
 - Creating a Diverse Reading Collection Mechanical Engineering Drawing Exam Paper 2013
10. Overcoming Reading Challenges
 - Dealing with Digital Eye Strain
 - Minimizing Distractions
 - Managing Screen Time
11. Cultivating a Reading Routine Mechanical Engineering Drawing Exam Paper 2013
 - Setting Reading Goals Mechanical Engineering Drawing Exam Paper 2013
 - Carving Out Dedicated Reading Time
12. Sourcing Reliable Information of Mechanical Engineering Drawing Exam Paper 2013
 - Fact-Checking eBook Content of Mechanical Engineering Drawing Exam Paper 2013
 - Distinguishing Credible Sources
13. Promoting Lifelong Learning
 - Utilizing eBooks for Skill Development
 - Exploring Educational eBooks
14. Embracing eBook Trends
 - Integration of Multimedia Elements

- Interactive and Gamified eBooks

Mechanical Engineering Drawing Exam Paper 2013 Introduction

Free PDF Books and Manuals for Download: Unlocking Knowledge at Your Fingertips In today's fast-paced digital age, obtaining valuable knowledge has become easier than ever. Thanks to the internet, a vast array of books and manuals are now available for free download in PDF format. Whether you are a student, professional, or simply an avid reader, this treasure trove of downloadable resources offers a wealth of information, conveniently accessible anytime, anywhere. The advent of online libraries and platforms dedicated to sharing knowledge has revolutionized the way we consume information. No longer confined to physical libraries or bookstores, readers can now access an extensive collection of digital books and manuals with just a few clicks. These resources, available in PDF, Microsoft Word, and PowerPoint formats, cater to a wide range of interests, including literature, technology, science, history, and much more. One notable platform where you can explore and download free Mechanical Engineering Drawing Exam Paper 2013 PDF books and manuals is the internet's largest free library. Hosted online, this catalog compiles a vast assortment of documents, making it a veritable goldmine of knowledge. With its easy-to-use website interface and customizable PDF generator, this platform offers a user-friendly experience, allowing individuals to effortlessly navigate and access the information they seek. The availability of free PDF books and manuals on this platform demonstrates its commitment to democratizing education and empowering individuals with the tools needed to succeed in their chosen fields. It allows anyone, regardless of their background or financial limitations, to expand their horizons and gain insights from experts in various disciplines. One of the most significant advantages of downloading PDF books and manuals lies in their portability. Unlike physical copies, digital books can be stored and carried on a single device, such as a tablet or smartphone, saving valuable space and weight. This convenience makes it possible for readers to have their entire library at their fingertips, whether they are commuting, traveling, or simply enjoying a lazy afternoon at home. Additionally, digital files are easily searchable, enabling readers to locate specific information within seconds. With a few keystrokes, users can search for keywords, topics, or phrases, making research and finding relevant information a breeze. This efficiency saves time and effort, streamlining the learning process and allowing individuals to focus on extracting the information they need. Furthermore, the availability of free PDF books and manuals fosters a culture of continuous learning. By removing financial barriers, more people can access educational resources and pursue lifelong learning, contributing to personal growth and professional development. This democratization of knowledge promotes intellectual curiosity and empowers individuals to become lifelong learners, promoting progress and innovation in various fields. It is worth noting that while accessing free Mechanical Engineering Drawing Exam Paper 2013 PDF books and manuals is convenient and cost-effective, it is vital to respect copyright laws and intellectual property rights. Platforms

offering free downloads often operate within legal boundaries, ensuring that the materials they provide are either in the public domain or authorized for distribution. By adhering to copyright laws, users can enjoy the benefits of free access to knowledge while supporting the authors and publishers who make these resources available. In conclusion, the availability of Mechanical Engineering Drawing Exam Paper 2013 free PDF books and manuals for download has revolutionized the way we access and consume knowledge. With just a few clicks, individuals can explore a vast collection of resources across different disciplines, all free of charge. This accessibility empowers individuals to become lifelong learners, contributing to personal growth, professional development, and the advancement of society as a whole. So why not unlock a world of knowledge today? Start exploring the vast sea of free PDF books and manuals waiting to be discovered right at your fingertips.

FAQs About Mechanical Engineering Drawing Exam Paper 2013 Books

How do I know which eBook platform is the best for me? Finding the best eBook platform depends on your reading preferences and device compatibility. Research different platforms, read user reviews, and explore their features before making a choice. Are free eBooks of good quality? Yes, many reputable platforms offer high-quality free eBooks, including classics and public domain works. However, make sure to verify the source to ensure the eBook credibility. Can I read eBooks without an eReader? Absolutely! Most eBook platforms offer webbased readers or mobile apps that allow you to read eBooks on your computer, tablet, or smartphone. How do I avoid digital eye strain while reading eBooks? To prevent digital eye strain, take regular breaks, adjust the font size and background color, and ensure proper lighting while reading eBooks. What the advantage of interactive eBooks? Interactive eBooks incorporate multimedia elements, quizzes, and activities, enhancing the reader engagement and providing a more immersive learning experience. Mechanical Engineering Drawing Exam Paper 2013 is one of the best book in our library for free trial. We provide copy of Mechanical Engineering Drawing Exam Paper 2013 in digital format, so the resources that you find are reliable. There are also many Ebooks of related with Mechanical Engineering Drawing Exam Paper 2013. Where to download Mechanical Engineering Drawing Exam Paper 2013 online for free? Are you looking for Mechanical Engineering Drawing Exam Paper 2013 PDF? This is definitely going to save you time and cash in something you should think about. If you trying to find then search around for online. Without a doubt there are numerous these available and many of them have the freedom. However without doubt you receive whatever you purchase. An alternate way to get ideas is always to check another Mechanical Engineering Drawing Exam Paper 2013. This method for see exactly what may be included and adopt these ideas to your book. This site will almost certainly help you save time and effort, money and stress. If you are looking for free books then you really should consider finding to assist you try this. Several of Mechanical Engineering Drawing Exam Paper 2013 are for sale to free while some are payable. If you arent

sure if the books you would like to download works with for usage along with your computer, it is possible to download free trials. The free guides make it easy for someone to free access online library for download books to your device. You can get free download on free trial for lots of books categories. Our library is the biggest of these that have literally hundreds of thousands of different products categories represented. You will also see that there are specific sites catered to different product types or categories, brands or niches related with Mechanical Engineering Drawing Exam Paper 2013. So depending on what exactly you are searching, you will be able to choose e books to suit your own need. Need to access completely for Campbell Biology Seventh Edition book? Access Ebook without any digging. And by having access to our ebook online or by storing it on your computer, you have convenient answers with Mechanical Engineering Drawing Exam Paper 2013 To get started finding Mechanical Engineering Drawing Exam Paper 2013, you are right to find our website which has a comprehensive collection of books online. Our library is the biggest of these that have literally hundreds of thousands of different products represented. You will also see that there are specific sites catered to different categories or niches related with Mechanical Engineering Drawing Exam Paper 2013 So depending on what exactly you are searching, you will be able to choose ebook to suit your own need. Thank you for reading Mechanical Engineering Drawing Exam Paper 2013. Maybe you have knowledge that, people have search numerous times for their favorite readings like this Mechanical Engineering Drawing Exam Paper 2013, but end up in harmful downloads. Rather than reading a good book with a cup of coffee in the afternoon, instead they juggled with some harmful bugs inside their laptop. Mechanical Engineering Drawing Exam Paper 2013 is available in our book collection an online access to it is set as public so you can download it instantly. Our digital library spans in multiple locations, allowing you to get the most less latency time to download any of our books like this one. Merely said, Mechanical Engineering Drawing Exam Paper 2013 is universally compatible with any devices to read.

Find Mechanical Engineering Drawing Exam Paper 2013 :

semakan keputusan dan tawaran sbp 2018 tingkatan 4 e rayuan

savita bhabhi 18 mini comic kirtu

scarica il io me e me stesso libri

secrets of antigravity propulsion tesla ufos and classified aerospace technology

[shobha de pdf wordpress](#)

[sebesta concepts of programming languages 10th edition solutions](#)

service manual harley davidson road king

~~*sigma elevator installation manual*~~

si desea ser rico y feliz no vaya a la escuela

simone de beauvoir letters to sartre
series and parallel circuits basics phet answers
saving zoe

[simon sinek speaker ted](#)

[setting up your foxtel set top box](#)

seven american deaths and disasters kenneth goldsmith

Mechanical Engineering Drawing Exam Paper 2013 :

three little words a memoir book review common - Mar 01 2023

web ashley rhodes is born to a 17 year old single mother lorraine in south carolina ashley spends her early years living in a trailer with her mom and her mom s twin leanne until

three little words a memoir worldcat org - Mar 21 2022

web jan 8 2008 reviews review by ashley rhodes courter lorraine rhodes was a single teenage mother who shared parenting duties of little ashley with her twin sister they

three little words a memoir rhodes courter ashley - May 23 2022

web three little words a memoir rhodes courter ashley amazon com tr Çerez tercihlerinizi seçin alışveriş deneyiminizi geliştirmek hizmetlerimizi sunmak müşterilerin

three little words a memoir by ashley rhodes courter - Jul 25 2022

web jun 20 2008 three little words a memoir ashley rhodes courter 4 8 254 ratings 10 99 10 99 three little words 5 5 one of my favorite books i ve ever read simply

three little words a memoir plugged in - Apr 02 2023

web jan 8 2008 ashley rhodes courter spent nine years of her life in fourteen different foster homes living by those words as her mother spirals out of control ashley is left clinging

[three little words a memoir ashley rhodes courter google](#) - May 03 2023

web feb 1 2008 three little words is a memoir about a woman named ashley rhodes courter she experienced what life is like as a foster child she was born to a 17 year old

three little words by ashley rhodes courter ebook scribd - Sep 26 2022

web may 5 2009 three little words a memoir ashley rhodes courter perfection learning corporation may 5 2009 adopted children 304 pages 30 reviews reviews aren t

three little words a memoir ashley rhodes courter google - Nov 28 2022

web may 5 2009 12 99 have one to sell sell on amazon roll over image to zoom in read sample audible sample follow the author ashley rhodes courter three little words

three little words a memoir amazon com - Oct 08 2023

ashley rhodes courter is triumphant in her quest to overcome insurmountable odds i celebrate her courage to seek out the best in humanity in spite of its failings victoria rowell new york times bestselling author of the women who raised me a memoir nine years in the foster care system could ruin a kid see more

three little words a memoir rhodes courter ashley - Jun 23 2022

web jan featured children s reviews in this engrossing memoir college senior rhodes courter chronicles her hardscrabble childhood in foster care detailing glitche

three little words a memoir amazon com - Jun 04 2023

web jun 20 2008 ashley rhodes courter spent nine years of her life in fourteen different foster homes living by those words as her mother spirals out of control ashley is left clinging

[three more words by ashley rhodes courter goodreads](#) - Feb 17 2022

web three little words a memoir ashley rhodes courter blackstone audio inc ashley spent nine years in foster care after being taken away from her mother she endured

[three little words a memoir barnes noble](#) - Dec 18 2021

web a memoir by ashley rhodes courter when her mother could not care for her ashley rhodes courter moved between fourteen different foster homes over nine years in this

[three little words by ashley rhodes courter goodreads](#) - Sep 07 2023

the author s ability to form intelligent open minded conclusions about her traumatic childhood demonstrates her remarkable control and insight and although there are see more

three little words a memoir ashley rhodes courter google - Oct 28 2022

web three little words a memoir may 5 2009 young adult nonfiction 336 pages

three little words a memoir readinggroupguides com - Apr 21 2022

web abebooks com three little words a memoir 9781416948070 by rhodes courter ashley and a great selection of similar new used and collectible books available now at

[three little words vocabulary com](#) - Jan 19 2022

web may 5 2015 ashley rhodes courter spent a harrowing nine years of her life in fourteen different foster homes her memoir three little words captivated audiences

three little words a memoir ashley rhodes courter google - Jul 05 2023

web an international bestseller ashley rhodes courter s 2008 memoir three little words provides a moving account of her early life in the foster care system ashley is born to a

three little words summary and study guide supersummary - Aug 06 2023

ashley rhodes courter has been featured in teen people the new york times usa today and glamour as well as on good morning america her first memoir three little words began as an essay which won a writing see more

three little words on apple books - Aug 26 2022

web three little words a memoir show full title by ashley rhodes courter 4 5 5 40 ratings about this ebook sunshine you re my baby and i m your only mother you must mind

three little words a memoir by ashley rhodes courter - Jan 31 2023

web harrowing foster child memoir for mature readers read common sense media s three little words a memoir review age rating and parents guide

three little words a memoir rhodes courter ashley - Dec 30 2022

web three little words a memoir ebook written by ashley rhodes courter read this book using google play books app on your pc android ios devices download for offline

engineering physics lab viva question answers 1 studocu - Jul 14 2023

web physics lab viva questions for the 18phy116 26 scheme university visvesvaraya technological university course engineering physics 18phy116 26 chirag 2 years ago thanks for the material it is very helpfull for students recommended for you 31 lasers and optical fibers mod 3

physics 1 year lab viva voice lp docseducation - Mar 10 2023

web may 22 2023 you will find viva voce for all the hand written practicals of the subject applied physics 1 you can also check the viva voce and the lab manual from the links given below most likely viva voce questions vtu physics lab 1 what is a black body visit freevtunotes.blogspot.com for viva voice qps physics viva questions

fizik lab 1 vize sınavı ticaret - Nov 06 2022

web 4 tablo 1 deki veriler kullanılarak aşağıdaki 3 grafik çizilmiştir a r2 değerlerine göre en iyi grafik hangisidir b bu 3 grafikten hangisini en pratik olarak görüyorsunuz hangisini tercih ederdiniz kısaca açıklayın c eğer t 20s ise denklem 1 i kullanarak m değerini hesaplayın ve sonucu buraya yazın m

physics 1 year lab viva voice download only - Mar 30 2022

web oswaal cbse english core physics chemistry mathematics class 12 sample question papers set of 4 books for 2023 board exam lab manual physics tb 12 e r physics 1 year lab viva voice downloaded from japanalert bananacoding.com by guest gavin li practical laboratory manual physics class 12 khanna book publishing co

physics 1 year lab viva voice survey thecube - Dec 07 2022

web physics 1 year lab viva voice home ask physics questions normally not answered by students in viva 12 physics cbse class x physics questions 10 physics summative assessment 1 viva questions for btech first year physics lab expt 1st year btech physics practical experiments and their 1st year btech physics practical experiments and

physics 1 year lab viva voice dev eequ org - Jan 08 2023

web physics 1 year lab viva voice physics viva questions 1 what are the precautions to be taken care of and what are the assumptions made while studying the mass spring system a comprehensive book of physics practicals viva voce mait4us

important viva voce questions part 1 engineering physics lab youtube - Aug 15 2023

web this video describes sample important viva voce questions related to engineering physics lab for b tech 1st year students for all streams

vidya prakashan class 11 physics practical lab manual with theory viva - Jan 28 2022

web cbse practical lab manual physics for class 11 vidya prakashan lab manual with theory viva voce questions and laboratory instruction for been prepared in accordance with the ncert cbse up board syllabus practical book provides a better understanding of various concepts in a lucid manner

physics 1 year lab viva voice pdf copy - Apr 30 2022

web jun 27 2023 web physics 1 year lab viva voice june 11th 2018 here you will find viva voce for all the hand written practicals of the subject applied physics 1 you can also check the viva voce and the lab manual from the links given

physics 1 year lab viva voice liululu - Feb 09 2023

web physics 1 year lab viva voice here you will find viva voce for all the hand written practicals of the subject applied physics 1 you can also check the viva voce and the lab manual from the links given below engineering chemistry laboratory manual i as per anna university syllabus for first semester b e b tech

physics 1 year lab viva voice braincandy live - Apr 11 2023

web feb 27 2023 you could purchase lead physics 1 year lab viva voice or get it as soon as feasible you could speedily download this physics 1 year lab viva voice after getting deal

physics 1 year lab viva voice pqr uiaf gov co - Jun 01 2022

web physics 1 year lab viva voice is available in our digital library an online access to it is set as public so you can download it instantly our digital library spans in multiple locations allowing you to get the most less latency time to download any of our books like this one kindly say the physics 1 year lab viva voice is universally

viva voice solved applied physics 1 aminotes - May 12 2023

web here you will find viva voce for all the hand written practicals of the subject applied physics 1 you can also check the viva voce and the lab manual from the links given below you can also download or view the entire notes for the subject click on view or download to access the notes

physics 1 year lab viva voce festival raindance - Sep 04 2022

web simply stated the physics 1 year lab viva voce is commonly harmonious with any devices to download in the direction of them is this physics 1 year lab viva voce that can be your collaborator we settle for you this proper as proficiently as simple pretension to receive those all this is why we offer the ebook compilations in this website

physics 1 year lab viva voce network eve gd - Aug 03 2022

web and their engineering physics 1st year lab viva questions laws of pendulum â viva voce questions with answer all lab manuals for subject wise in engineering ist year 1 sem physics notes snist blogspot com viva voce solved applied physics 1 aminotes viva voce 1 b photoelectric effect diffraction physics lab â viva voce

physics 1 year lab viva voce jetpack theaoi - Dec 27 2021

web html 1 downloading this engineering physics 1st year lab viva questions obviously you could pick the book in different documents kinds as well as media search for ppt laws of pendulum viva voce questions with answer physics q 1 define simple viva voce questions with answer lab practical exam viva voce questions with answer physics

physics 1 year lab viva voce sendmail3 screenrec com - Jul 02 2022

web may 30th 2018 1 experiments in engineering physics physics lab manual checklist for expt 1 16 viva voce for expt 1 17 1 attend the lab sessions in time viva questions with answers wordpress com june 16th 2018 viva questions with answers dept of physics hppc govt 2015first grade college challaker 577522 1 16 air wedge 1 are the fringes

physics 1 year lab viva voce free pdf books - Jun 13 2023

web all access to physics 1 year lab viva voce pdf free download physics 1 year lab viva voce pdf or read physics 1 year lab viva voce pdf on the most popular online pdflab only register an account to downloadphysics 1 year lab viva voce pdf online pdf related to physics 1 year lab viva voce get access physics 1 year

fysikk 1 labkurs sonans no - Feb 26 2022

web sonans tilbyr labkurs i fysikk 1 med labøvelsene du må kunne på muntlig praktisk eksamen labøvelsen på privatisteksamen utgjør en tredjedel av din karakter hopp til hovedinnhold bestill rådgivning fag og priser meny lukk tilbake til fag fysikk 1 labkurs labøvelser er en del av muntlig praktisk eksamen i fysikk 1 og legger

home the physics website fisicalab - Oct 05 2022

web the most easy comfortable rigorous easy way of learning physics fisicalab is a platform designed for learning and teaching physics the contents of the website are structured by topics allowing you to find the subjects you are looking for

adapted to the level you need you can use the menu in the top of the page to navigate through the

el universo para ulises y si todo el universo est pdf - Nov 02 2022

web el universo para ulises y si todo el universo est international agency and distribution agreements north america south america jan 21 2021 para las mujeres no todo el poder pero sí todo el trabajo feb 02 2022 si todo es bullying nada es bullying nov 11 2022 este libro pretende discriminar entre otras cosas el bullying propiamente tal

el universo para ulises y si todo el universo est copy - Jan 04 2023

web el universo para ulises y si todo el universo est la destruicion de troya comedia famosa apr 24 2021 el tema de ulises nov 12 2022 ulises el ulises de la modernidad y an ms de nuestra contemporaneidad se hace verdaderamente nadie fi gura de ese nadie contemporaneo que es el individuo

el universo para ulises y si todo el universo est copy - Oct 01 2022

web el universo para ulises y si todo el universo est yo soy el universo jul 14 2021 yo soy el universo es una obra con contenido de conceptos metafísicos espirituales en el que descubrirás que el amor es todo dentro del uno que tú tienes el poder maravilloso de sentir y pensar correctamente

download solutions el universo para ulises y si todo el universo est - Jun 28 2022

web may 19 2023 el universo para ulises y si todo el universo est pensar como ulises sep 22 2020 qué tienen que decir los mitos antiguos a nuestro tiempo qué encanto pueden ofrecerle todavía a este siglo revolucionado por lo digital son realmente capaces esas narraciones milenarias de ejercer su fascinación en el universo líquido de

free pdf download el universo para ulises y si todo el universo est - Mar 06 2023

web ulises y sus hombres condenados a vagar eternamente por los océanos se enfrentan a toda clase de retos en su intento por regresar a casa la obra literaria de ulises irigoyen y José López

el universo para ulises juan carlos ortega planetadelibros - Jul 10 2023

web un libro que nos muestra desde la altura de los ojos de un niño todo lo que los mayores siempre hemos querido saber sobre el fascinante universo un padre se propone explicar a su hijo qué sabe la ciencia sobre el universo desde lo asombrosamente grande hasta lo más diminuto desde las galaxias gigantes hasta las más insólitas teorías

el universo para ulises juan carlos ortega casa del - Feb 05 2023

web y si todo el universo estuviera en un libro el universo para ulises es el recorrido fascinante de un padre y un hijo por los secretos que esconde el firmamento partiendo de una particular historia del cosmos el libro desgrana el pensamiento de todos aquellos científicos que han aportado su granito de arena para que hoy comprendamos mejor

el universo para ulises y si todo el universo estuviera en un - Aug 31 2022

web el universo para ulises y si todo el universo estuviera en un libro ortega juan carlos amazon com au books

el universo para ulises y si todo el universo estuviera en un - Jul 30 2022

web un libro que nos muestra desde la altura de los ojos de un niño todo lo que los mayores siempre hemos querido saber sobre el fascinante universo un padre se propone explicar a su hijo qué sabe la ciencia sobre el universo desde lo asombrosamente grande hasta lo más diminuto desde las galaxias gigantes hasta las más insólitas teorías acerca de la

el universo para ulises y si todo el universo est ftp cosyclub co - Mar 26 2022

web el universo para ulises son de mar premio alfaguara de novela 1999 el universo para ulises y si todo el universo est downloaded from ftp cosyclub co uk by guest daisy carla 1927 lulu com reproducción del original el universo para ulises resumenexpress com el estudio y análisis de la producción literaria de mateo alemán

el universo para ulises y si todo el universo estuviera en un - Oct 13 2023

web jun 25 2013 buy el universo para ulises y si todo el universo estuviera en un libro planeta spanish edition read kindle store reviews amazon com

el universo para ulises y si todo el universo estuviera en un - Apr 07 2023

web un libro que nos muestra desde la altura de los ojos de un niño todo lo que los mayores siempre el universo para ulises y si todo el universo estuviera en un libro by juan carlos ortega goodreads

free pdf download el universo para ulises y si todo el universo est - Apr 26 2022

web el universo para ulises y si todo el universo est myth and subversion in the contemporary novel jul 25 2021 this bilingual work identifies and explains the subversive rewriting of ancient medieval and modern myths in contemporary novels the book opens with two theoretical essays on the subject of subversive tendencies and myth

free pdf download el universo para ulises y si todo el universo est - Dec 03 2022

web el universo para ulises y si todo el universo estuviera en un libro feb 04 2022 en la infinita intensidad oct 12 2022

spanish esta historia esta dedicada a todas las mujeres del mundo entero que han sido víctimas y abusadas por sus esposos que aquellas mujeres lo dieron todo por amor entregaron sus cuerpos y

el universo para ulises y si todo el universo est pdf - Sep 12 2023

web el universo para ulises y si todo el universo est causality and resemblance dec 04 2022 las diversas contribuciones de este volumen se encuadran en la especulación medieval cosmológico metafísica que versa sobre la cuestión central acerca de la unidad y la multiplicidad del logos en el cosmos

el universo para ulises y si todo el universo est jordi balló - Aug 11 2023

web el universo para ulises y si todo el universo est el universo para ulises y si todo el universo est 2 downloaded from nysm pfi org on 2020 09 21 by guest que en realidad á mas de la afeccion que experimento existen las dos molduras están colocadas en frente de mí y son ambas de relieve

el universo para ulises y si todo el universo estuviera en un - Jun 09 2023

web las primeras y valientes reflexiones del viejo demócrito de abdera las teorías de newton sobre la gravitación y la luz la relatividad especial y general de einstein los modelos atómicos de rutherford y bohr sin dejar aquellos nombres que siempre terminan olvidándose lemaître el sacerdote que propuso por primera vez la teoría del

pdf el universo para ulises by juan carlos ortega perlego - Feb 22 2022

web un libro que nos muestra desde la altura de los ojos de un niño todo lo que los mayores siempre hemos querido saber sobre el fascinante universo un padre se propone explicar a su hijo qué sabe la ciencia sobre el universo desde lo asombrosamente grande hasta lo más diminuto desde las galaxias gigantes hasta las más insólitas teorías

el universo para ulises y si todo el universo est - May 28 2022

web el universo para ulises y si todo el universo est downloaded from mail thekingiscoming com by guest andrews williamson la novela inglesa mad eduforma el estudio y análisis de la producción literaria de mateo alemán escritor contemporáneo de miguel de cervantes ha quedado inexplicablemente relegado

el universo para ulises y si todo el universo estuviera cultura - May 08 2023

web el universo para ulises y si todo el universo estuviera en un libro un libro que nos muestra desde la altura de los ojos de un niño todo lo que los mayores siempre hemos querido saber sobre el fascinante universo