

Var
Eqn.

VAR

VAR1

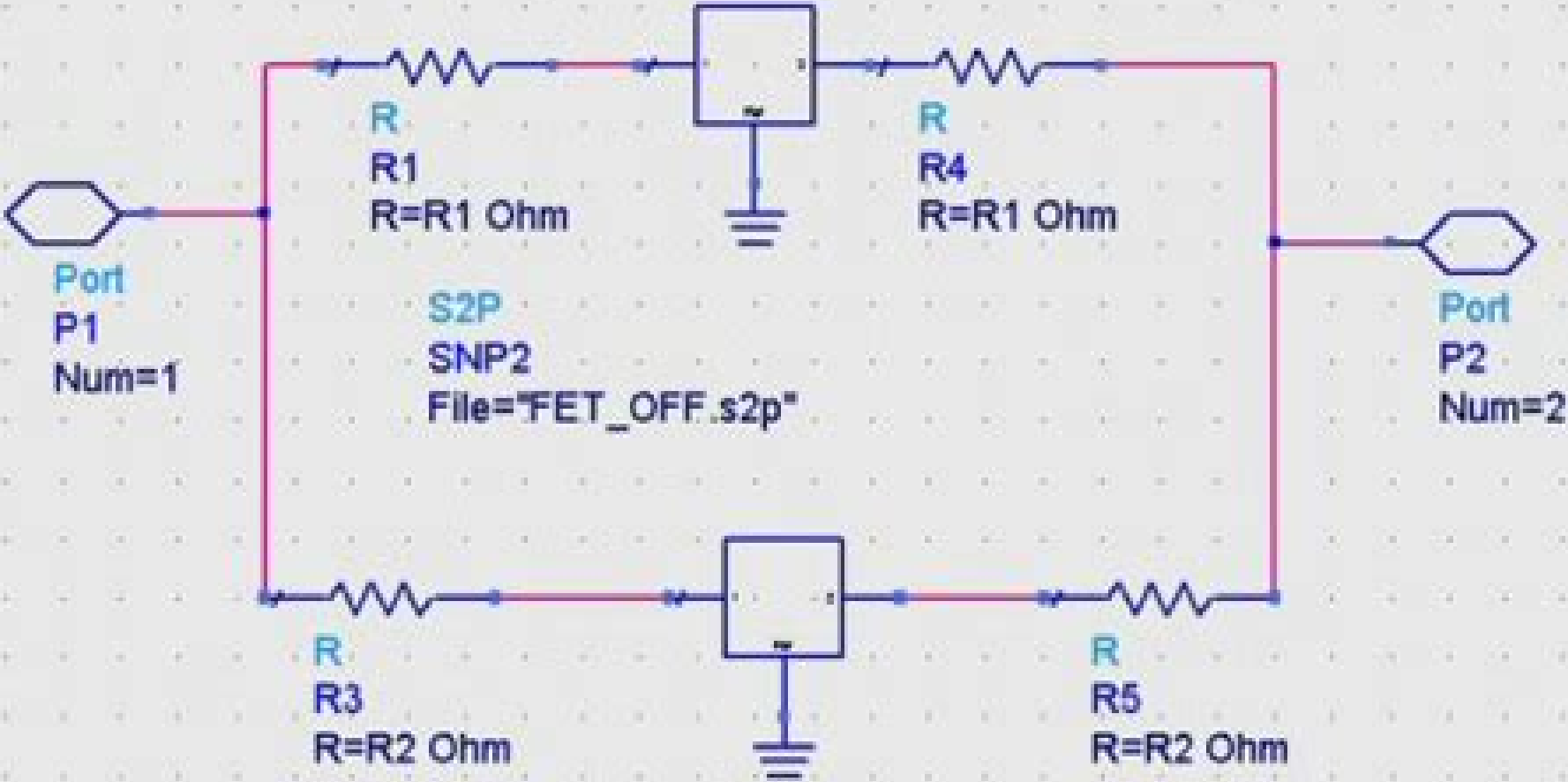
$$R1=(1.000000001-ON)/(0.000000001+ON)$$

$$R2=1/R1$$

S2P +

SNP1

File="FET_ON.s2p"



Example Circuit Using Ads 3 02

B Lingard



Example Circuit Using Ads 3 02:

Co-simulations of Microwave Circuits and High-Frequency Electromagnetic Fields Mei Song Tong,Xiao Yu Li,2024-07-03

This book aims to provide many advanced application topics for microwave circuits and high frequency electromagnetic EM fields by using advanced design system ADS and high frequency structure simulator HFSS as simulation platforms In particular it contains the latest multidisciplinary co simulation guidance on the design of relevant components and devices Currently the circuit field design and performance analysis and optimization strongly rely on various kinds of robust electronic design automation EDA software RF microwave engineers must grasp two or more types of related simulation design software ADS by Keysight and HFSS by Ansys are the representative for circuit simulations and for field and structural simulations of microwave devices respectively At present these two types of software are widely used in enterprises universities and research institutions The main purpose of this book is to enable readers who are interested in microwave engineering and applied electromagnetics to master the applications of these two tools It also helps readers expand their knowledge boundaries behind those types of software and deepen their understanding of developing interdisciplinary technologies by co simulations The book is divided into three parts The first part introduces the two latest versions of ADS and HFSS and helps readers better understand the basic principles and latest functions better It also advises how to choose appropriate simulation tools for different problems The second part mainly describes co simulations for high frequency EM fields microwave circuits antenna designs EM compatibility EMC and thermal and structural analyses It provides guides and advices on performing co simulations by ADS and HFSS incorporated with other types of software respectively The last part narrates the automation interfaces and script programming methods for co simulations It primarily deals with the Advanced Extension Language AEL Python Data Link PDL and MATLAB interface in ADS For HFSS it discusses VBScript IronPython scripting and Application Programming Interface APIs based on MATLAB Each topic contains practical examples to help readers understand so that they can gain a solid knowledge and skills regarding automated interfaces and scripting methods based on these kinds of software Concisely written in combination with practical examples this book is very suitable as a textbook in introductory courses on microwave circuit and EM simulations and also as a supplementary textbook in many courses on electronics microwave engineering communication engineering and related fields As well it can serve as a reference book for microwave engineers and researchers

A Practical Guide to The Wiring Regulations Geoffrey Stokes,John Bradley,2009-04-15 This best selling text has been revised to reflect the requirements of the 17th Edition of the IEE Wiring Regulations BS 7671 2008 It includes essential information on the new rules applied to special installations or locations such as bathrooms swimming pool locations camping caravan sites marinas exhibition and show locations solar photovoltaic power supply systems and floor and ceiling heating systems amongst others It presents clear explanations on inspection testing certification and reporting test instruments and test methods as well as covering

electricity the law standards and codes of practice assessment of general characteristics protection against electric shock thermal effects overcurrent undervoltage and overvoltage isolation and switching the common rules of equipment selection switchgear protective devices and other equipment wiring systems including the external influences on them and cable installation methods protective conductors earthing and protective bonding supplies for safety services the smaller installation and specialised installations such as outdoor lighting installations in churches multi occupancy blocks of flats These topics are addressed with pertinent regulation numbers and a useful appendix lists the relevant Standards Background guidance and worked examples are provided where appropriate Like the earlier editions of this text this new edition will be a useful aid for designers installers and verifiers of electrical installations students of the industry wishing to gain better understanding of the many facets of electrical safety and duty holders as defined by the Electricity at Work Regulations 1989

Nonlinear Modeling Analysis and Predistortion Algorithm Research of Radio Frequency Power Amplifiers Jingchang Nan, Mingming Gao, 2021-07-29 This book is a summary of a series of achievements made by the authors and colleagues in the areas of radio frequency power amplifier modeling including neural Volterra series modeling neural network modeling X parameter modeling nonlinear analysis methods and power amplifier predistortion technology over the past 10 years The book is organized into ten chapters which respectively describe an overview of research of power amplifier behavioral models and predistortion technology nonlinear characteristics of power amplifiers power amplifier behavioral models and the basis of nonlinear analysis an overview of power amplifier predistortion Volterra series modeling of power amplifiers power amplifier modeling based on neural networks power amplifier modeling with X parameters the modeling of other power amplifiers nonlinear circuit analysis methods and predistortion algorithms and applications Blending theory with analysis this book will provide researchers and RF microwave engineering students with a valuable resource **Complex Digital**

Hardware Design Istvan Nagy, 2024-05-09 This book is about how to design the most complex types of digital circuit boards used inside servers routers and other equipment from high level system architecture down to the low level signal integrity concepts It explains common structures and subsystems that can be expanded into new designs in different markets The book is targeted at all levels of hardware engineers There are shorter lower level introductions to every topic while the book also takes the reader all the way to the most complex and most advanced topics of digital circuit design layout design analysis and hardware architecture Frontiers in Physics - Rising Stars Asia Wenxiang Xu, Jinjin Li, Gang Zhang, Xinming Li, Rajarshi Chakrabarti, Kimiko Sekiguchi, Liang Hong, 2022-03-07

Persuasive Advertising J. Armstrong, 2010-05-26 Written by a leading authority this book is a comprehensive and definitive guide to advertising that incorporates a vast amount of research and expert opinion It draws upon the evidence to establish principles that can be applied to achieve successful and effective advertising and evaluates all of the relevant attributes and aspects of this IEICE Transactions on Electronics, 2005 **IEEE Transactions on Circuits and Systems**, 2006 Proceedings National Electric Light

Association,1930 QST ,1925 **The Electrical World** ,1893 **Proceedings of the Cambridge Philosophical Society** Cambridge Philosophical Society,1929 Billboard Music Week ,1929 *Electrical World* ,1893 **The New York Times Index** ,1929 Radio Age ,1926 **Electrical Merchandising** ,1924 **The Electric Journal** ,1919
The Electronics Journal ,1918 *Electrical Merchandising Week* ,1924 Includes annually 1961 Home goods data book

The Enigmatic Realm of **Example Circuit Using Ads 3 02**: Unleashing the Language is Inner Magic

In a fast-paced digital era where connections and knowledge intertwine, the enigmatic realm of language reveals its inherent magic. Its capacity to stir emotions, ignite contemplation, and catalyze profound transformations is nothing short of extraordinary. Within the captivating pages of **Example Circuit Using Ads 3 02** a literary masterpiece penned with a renowned author, readers embark on a transformative journey, unlocking the secrets and untapped potential embedded within each word. In this evaluation, we shall explore the book's core themes, assess its distinct writing style, and delve into its lasting impact on the hearts and minds of those who partake in its reading experience.

https://py.bijouxmedusa.com/public/uploaded-files/Download_PDFS/resume_writing_checklist_usa_66_310_resume_writing_checklist_usa_66_416.pdf

Table of Contents Example Circuit Using Ads 3 02

1. Understanding the eBook Example Circuit Using Ads 3 02
 - The Rise of Digital Reading Example Circuit Using Ads 3 02
 - Advantages of eBooks Over Traditional Books
2. Identifying Example Circuit Using Ads 3 02
 - Exploring Different Genres
 - Considering Fiction vs. Non-Fiction
 - Determining Your Reading Goals
3. Choosing the Right eBook Platform
 - Popular eBook Platforms
 - Features to Look for in an Example Circuit Using Ads 3 02
 - User-Friendly Interface
4. Exploring eBook Recommendations from Example Circuit Using Ads 3 02
 - Personalized Recommendations
 - Example Circuit Using Ads 3 02 User Reviews and Ratings

- Example Circuit Using Ads 3 02 and Bestseller Lists
- 5. Accessing Example Circuit Using Ads 3 02 Free and Paid eBooks
 - Example Circuit Using Ads 3 02 Public Domain eBooks
 - Example Circuit Using Ads 3 02 eBook Subscription Services
 - Example Circuit Using Ads 3 02 Budget-Friendly Options
- 6. Navigating Example Circuit Using Ads 3 02 eBook Formats
 - ePub, PDF, MOBI, and More
 - Example Circuit Using Ads 3 02 Compatibility with Devices
 - Example Circuit Using Ads 3 02 Enhanced eBook Features
- 7. Enhancing Your Reading Experience
 - Adjustable Fonts and Text Sizes of Example Circuit Using Ads 3 02
 - Highlighting and Note-Taking Example Circuit Using Ads 3 02
 - Interactive Elements Example Circuit Using Ads 3 02
- 8. Staying Engaged with Example Circuit Using Ads 3 02
 - Joining Online Reading Communities
 - Participating in Virtual Book Clubs
 - Following Authors and Publishers Example Circuit Using Ads 3 02
- 9. Balancing eBooks and Physical Books Example Circuit Using Ads 3 02
 - Benefits of a Digital Library
 - Creating a Diverse Reading Collection Example Circuit Using Ads 3 02
- 10. Overcoming Reading Challenges
 - Dealing with Digital Eye Strain
 - Minimizing Distractions
 - Managing Screen Time
- 11. Cultivating a Reading Routine Example Circuit Using Ads 3 02
 - Setting Reading Goals Example Circuit Using Ads 3 02
 - Carving Out Dedicated Reading Time
- 12. Sourcing Reliable Information of Example Circuit Using Ads 3 02
 - Fact-Checking eBook Content of Example Circuit Using Ads 3 02
 - Distinguishing Credible Sources

13. Promoting Lifelong Learning
 - Utilizing eBooks for Skill Development
 - Exploring Educational eBooks
14. Embracing eBook Trends
 - Integration of Multimedia Elements
 - Interactive and Gamified eBooks

Example Circuit Using Ads 3 02 Introduction

In this digital age, the convenience of accessing information at our fingertips has become a necessity. Whether its research papers, eBooks, or user manuals, PDF files have become the preferred format for sharing and reading documents. However, the cost associated with purchasing PDF files can sometimes be a barrier for many individuals and organizations. Thankfully, there are numerous websites and platforms that allow users to download free PDF files legally. In this article, we will explore some of the best platforms to download free PDFs. One of the most popular platforms to download free PDF files is Project Gutenberg. This online library offers over 60,000 free eBooks that are in the public domain. From classic literature to historical documents, Project Gutenberg provides a wide range of PDF files that can be downloaded and enjoyed on various devices. The website is user-friendly and allows users to search for specific titles or browse through different categories. Another reliable platform for downloading Example Circuit Using Ads 3 02 free PDF files is Open Library. With its vast collection of over 1 million eBooks, Open Library has something for every reader. The website offers a seamless experience by providing options to borrow or download PDF files. Users simply need to create a free account to access this treasure trove of knowledge. Open Library also allows users to contribute by uploading and sharing their own PDF files, making it a collaborative platform for book enthusiasts. For those interested in academic resources, there are websites dedicated to providing free PDFs of research papers and scientific articles. One such website is Academia.edu, which allows researchers and scholars to share their work with a global audience. Users can download PDF files of research papers, theses, and dissertations covering a wide range of subjects. Academia.edu also provides a platform for discussions and networking within the academic community. When it comes to downloading Example Circuit Using Ads 3 02 free PDF files of magazines, brochures, and catalogs, Issuu is a popular choice. This digital publishing platform hosts a vast collection of publications from around the world. Users can search for specific titles or explore various categories and genres. Issuu offers a seamless reading experience with its user-friendly interface and allows users to download PDF files for offline reading. Apart from dedicated platforms, search engines also play a crucial role in finding free PDF files. Google, for instance, has an advanced search feature that allows users to filter results by file type. By specifying the file type as "PDF," users can find websites that

offer free PDF downloads on a specific topic. While downloading Example Circuit Using Ads 3 02 free PDF files is convenient, its important to note that copyright laws must be respected. Always ensure that the PDF files you download are legally available for free. Many authors and publishers voluntarily provide free PDF versions of their work, but its essential to be cautious and verify the authenticity of the source before downloading Example Circuit Using Ads 3 02. In conclusion, the internet offers numerous platforms and websites that allow users to download free PDF files legally. Whether its classic literature, research papers, or magazines, there is something for everyone. The platforms mentioned in this article, such as Project Gutenberg, Open Library, Academia.edu, and Issuu, provide access to a vast collection of PDF files. However, users should always be cautious and verify the legality of the source before downloading Example Circuit Using Ads 3 02 any PDF files. With these platforms, the world of PDF downloads is just a click away.

FAQs About Example Circuit Using Ads 3 02 Books

What is a Example Circuit Using Ads 3 02 PDF? A PDF (Portable Document Format) is a file format developed by Adobe that preserves the layout and formatting of a document, regardless of the software, hardware, or operating system used to view or print it. **How do I create a Example Circuit Using Ads 3 02 PDF?** There are several ways to create a PDF: Use software like Adobe Acrobat, Microsoft Word, or Google Docs, which often have built-in PDF creation tools. Print to PDF: Many applications and operating systems have a "Print to PDF" option that allows you to save a document as a PDF file instead of printing it on paper. Online converters: There are various online tools that can convert different file types to PDF. **How do I edit a Example Circuit Using Ads 3 02 PDF?** Editing a PDF can be done with software like Adobe Acrobat, which allows direct editing of text, images, and other elements within the PDF. Some free tools, like PDFescape or Smallpdf, also offer basic editing capabilities. **How do I convert a Example Circuit Using Ads 3 02 PDF to another file format?** There are multiple ways to convert a PDF to another format: Use online converters like Smallpdf, Zamzar, or Adobe Acrobats export feature to convert PDFs to formats like Word, Excel, JPEG, etc. Software like Adobe Acrobat, Microsoft Word, or other PDF editors may have options to export or save PDFs in different formats. **How do I password-protect a Example Circuit Using Ads 3 02 PDF?** Most PDF editing software allows you to add password protection. In Adobe Acrobat, for instance, you can go to "File" -> "Properties" -> "Security" to set a password to restrict access or editing capabilities. Are there any free alternatives to Adobe Acrobat for working with PDFs? Yes, there are many free alternatives for working with PDFs, such as: LibreOffice: Offers PDF editing features. PDFsam: Allows splitting, merging, and editing PDFs. Foxit Reader: Provides basic PDF viewing and editing capabilities. How do I compress a PDF file? You can use online tools like Smallpdf, ILovePDF, or desktop software like Adobe Acrobat to compress PDF files without significant quality loss. Compression reduces the file size,

making it easier to share and download. Can I fill out forms in a PDF file? Yes, most PDF viewers/editors like Adobe Acrobat, Preview (on Mac), or various online tools allow you to fill out forms in PDF files by selecting text fields and entering information. Are there any restrictions when working with PDFs? Some PDFs might have restrictions set by their creator, such as password protection, editing restrictions, or print restrictions. Breaking these restrictions might require specific software or tools, which may or may not be legal depending on the circumstances and local laws.

Find Example Circuit Using Ads 3 02 :

resume writing checklist USA 66-310 resume writing checklist USA 66-416
strategies America 66-227 YouTube growth strategies for creators 66-2981
apps America 66-983 luxury travel apps USA 66-943 luxury travel apps for
for startups 66-565 retirement planning blueprint USA 66-115 retirement
USA 66-1552 side hustles roadmap USA 66-334 side hustles roadmap for
print on demand blueprint for creators 66-2192 print on demand blueprint
interview tips software USA 66-2077 interview tips software United
for creators 66-1986 personal finance checklist for startups 66-445
minimalist lifestyle comparison America 66-1657 minimalist lifestyle
checklist for entrepreneurs 66-1646 crypto investing comparison USA
productivity hacks comparison for startups 66-990 productivity hacks
tutorial for startups 66-2082 YouTube growth apps for creators 66-1367
affiliate marketing for beginners for small business 66-1784 affiliate
investing blueprint America 66-284 crypto investing blueprint USA
online examples for small business 66-1354 freelancing online examples

Example Circuit Using Ads 3 02 :

langenscheidt universal wörterbuch dänisch dänisch amazon de - Apr 10 2023
web langenscheidt universal wörterbuch dänisch dänisch deutsch deutsch dänisch isbn 9783468181023 kostenloser versand
für alle bücher mit versand und verkauf duch amazon
duden deutsches universalwörterbuch das umfassende - Jul 01 2022
web die nr 1 der bedeutungswörterbücher der deutschen gegenwartssprache umfasst jetzt mehr als 500 000 stichwörter

bedeutungsangaben und anwendungsbeispiele rund 250 000 zusätzliche angaben zu rechtschreibung aussprache herkunft grammatik und stil vervollständigen das werk

download solutions langenscheidt universal wörterbuch danisch - Sep 03 2022

web langenscheidt universal wörterbuch danisch dänisch jan 17 2022 langenscheidts universal wörterbuch feb 15 2022

langenscheidts universal wörterbuch apr 19 2022 the national union catalog 1952 1955 imprints apr 07 2021 an universal etymological english dictionary mar 07 2021 dänisch apr 27 2020

universal wörterbuch langenscheidt - Dec 06 2022

web übersetzen los was kann unser online wörterbuch reihe universal wörterbuch universal wörterbuch unsere universal wörterbücher für reisende und einsteiger produkte filtern langenscheidt universal wörterbuch russisch russisch deutsch deutsch russisch 14 95 langenscheidt universal wörterbuch

langenscheidt universal wörterbuch dänisch dänisch - Sep 15 2023

web das universal wörterbuch dänisch bietet hochaktuellen wortschatz moderne umgangssprache und

langenscheidt universal wörterbuch danisch danisc pdf - Aug 02 2022

web langenscheidt universal wörterbuch danisch danisc langenscheidts universal wörterbuch norwegisch feb 08 2023 the library of congress author catalog may 19 2021 universal lexikon der gegenwart und vergangenheit oder neuestes encyclopädisches wörterbuch des wissenschaften künst und gewerbe herausg von

langenscheidt universal wörterbuch dänisch buch - Mar 09 2023

web dänisch deutsch deutsch dänisch 12 99 j buch von langenscheidt universal wörterbuch schnelle lieferung das universal wörterbuch

langenscheidt universal wörterbuch dänisch amazon de - Jul 13 2023

web langenscheidt universal wörterbuch dänisch mit tipps für die reise deutsch dänisch dänisch deutsch dänisch deutsch deutsch dänisch langenscheidt redaktion isbn 9783125142978 kostenloser versand für alle bücher

books kinokuniya langenscheidt universal wörterbuch englisch - Feb 25 2022

web due to the suspension of activities at workplace premises that takes effect from 7th april 2020 till 1st june 2020 or until further notice webstore singapore s order fulfillment will be delayed

langenscheidt universal wörterbuch danisch pdf - Oct 04 2022

web langenscheidt universal wörterbuch dänisch mar 30 2023 langenscheidts universal wörterbuch nov 25 2022 die konsonantische struktur von wörtern und ihre genematische matrix apr 06

langenscheidt universal wörterbuch dänisch thalia - May 11 2023

web portrait langenscheidt redaktion langenscheidt ist ein bekennender entdeckter wenn es um sprache menschen und kultur

geht der marktführer im bereich sprachen fördert bereits seit über 160 jahren den austausch untereinander mit geballter kompetenz und anhaltender begeisterung

kostenloses online wörterbuch von langenscheidt - Nov 05 2022

web die kostenlosen online wörterbücher von langenscheidt bieten einen breit aufgestellten aktuellen wortschatz in 27 sprachkombinationen und helfen durch viele geprüfte Übersetzungen aber auch durch zahlreiche weitere angaben die besonderheiten der jeweiligen fremdsprache kennenzulernen und sie zu verstehen

langenscheidt universal wörterbuch niederländisch amazon de - Mar 29 2022

web 14 95 9 gebraucht ab 1 89 4 neu ab 14 95 1 sammlerstück ab 26 27 mit dem kleinen handlichen universal wörterbuch niederländisch von langenscheidt finden sie schnell die wörter und wendungen die sie im alltag und auf reisen brauchen die einföhrung enthält ein kapitel zur aussprache des niederländischen mit beispielen

online dictionary by langenscheidt - Feb 08 2023

web the langenscheidt online dictionaries provide the same content that is included in the print dictionary in the digital versions however the dictionaries offer a number of additional features including audio of pronunciation to listen to more context sentences than in the printed version links to synonyms and similar words

langenscheidt deutsch dänisch wörterbuch Übersetzung - Aug 14 2023

web das deutsch dänisch wörterbuch hat so viele besonderheiten das ist die überarbeitete online version des dänisch wörterbuchs das die grundlegenden 225 000 schlagwörter phrasen und Übersetzungen enthält es beinhaltet beides alltagssprache und fachbegriffe aus allen fachbereichen

langenscheidt universal wörterbuch dänisch bücher de - Jun 12 2023

web produktbeschreibung das universal wörterbuch dänisch bietet hochaktuellen wortschatz moderne umgangssprache und wichtige dänische wendungen für alltagssituationen es enthält rund 30 000 stichwörter und wendungen reisetipps von a bis z einen reisedolmetscher und eine speisekarte

langenscheidt universal wörterbuch danisch danisch deutsch - Jan 07 2023

web langenscheidt universal wörterbuch danisch danisch deutsch deutsch danisch r finden sie alle bücher von langenscheidt bei der büchersuchmaschine eurobuch com können sie antiquarische und neubücher vergleichen und sofort zum bestpreis bestellen biographies histoires vraies france st 2014 08 19t08 15 44 000z

langenscheidt universal wörterbuch dänisch mit tipps für die - May 31 2022

web langenscheidt universal wörterbuch niederländisch february 26th 2019 langenscheidt universal wörterbuch danisch danisch deutsch deutsch danisch highlights geheimtipps wohlfuhladressen für das gesamte azoren archipel und für sao miguel mit tipps zum wandern auf den atlantikinseln azoren epub ebook download epub langenscheidt

langenscheidt dänisch deutsch wörterbuch Übersetzung - Oct 16 2023

web das langenscheidt dänisch deutsch wörterbuch ist genau das was man braucht das überarbeitete dänisch deutsch wörterbuch basierend auf dem dänischen taschenwörterbuch umfasst ca 230 000 stichwörter phrasen und Übersetzungen die weit über die allgemeinen vokabeln des modernen dänisch hinaus gehen

langenscheidt universal wörterbuch ungarisch amazon de - Apr 29 2022

web langenscheidt universal wörterbuch ungarisch langenscheidt redaktion von isbn 9783468183836 kostenloser versand für alle bücher mit versand und verkauf durch amazon

rapunzel un cuento en el mundo minecraft coleccion - Dec 11 2022

este libro ofrece una perspectiva revolucionaria los jugadores son expertos en buscar soluciones esforzarse por una meta y alimentar un sentido de comunidad y todas estas

rapunzel el cuento original adaptado a niños mundo primaria - Nov 29 2021

cuento de rapunzel adaptado para niños Érase una vez una mujer llamada anna que vivía infeliz porque tras varios años de matrimonio no había cumplido su gran deseo de ser

rapunzel un cuento en el mundo minecraft coleccion pdf - Feb 13 2023

rapunzel un cuento en el mundo minecraft coleccion 3 3 creatividad sin límites a lo largo de mi vida rapunzel es una historia muy linda del amor de un príncipe por una joven hermosa

rapunzel un cuento en el mundo minecraft coleccion lucasfilm - May 16 2023

jan 10 2023 4730486 rapunzel un cuento en el mundo minecraft coleccion 1 14 downloaded from robbinsmanuscripts

berkeley edu on by guest rapunzel un cuento en el

rapunzel un cuento en el mundo minecraft colección m - Aug 19 2023

jul 15 2017 en esta colección usted volver a encontrar historias como rapunzel tres cerditos pinocho el pollo de los huevos de oro entre otros cada historia en un volumen es un

rapunzel un cuento en el mundo minecraft coleccion - Mar 02 2022

aug 27 2023 recognizing the artifice ways to acquire this books rapunzel un cuento en el mundo minecraft coleccion is additionally useful you have remained in right site to begin

rapunzel un cuento en el mundo minecraft coleccion - Apr 03 2022

jul 29 2023 coleccion getting the books rapunzel un cuento en el mundo minecraft coleccion now is not type of inspiring means you could not forlorn going in the same way as book

rapunzel un cuento en el mundo minecraft coleccion pdf - Nov 10 2022

dec 13 2022 rapunzel un cuento en el mundo minecraft coleccion 1 8 downloaded from kelliemay com on december 13 2022

by guest rapunzel un cuento en el mundo

rapunzel un cuento en el mundo minecraft colección - Jun 17 2023

jul 15 2017 rapunzel un cuento en el mundo minecraft colección mundo minecraft cuentos adaptados nº 1 spanish edition
ebook query jim amazon co uk kindle store

rapunzel princesa disney cuento infantil corto clásico para - May 04 2022

cuento corto rapunzel princesa disney disfrútalo aquí tienes el audio cuento hace mucho tiempo un rey y una reina tuvieron a una niña a la que llamarón rapunzel los

rapunzel un cuento en el mundo minecraft colección - Jan 12 2023

rapunzel un cuento en el mundo minecraft colección mundo minecraft cuentos adaptados nº 1 spanish edition ebook query jim amazon it kindle store

rapunzel un cuento en el mundo minecraft colección - Jul 18 2023

rapunzel un cuento en el mundo minecraft colección mundo minecraft cuentos adaptados nº 1 ebook query jim amazon es tienda kindle

rapunzel un cuento en el mundo minecraft coleccio - Oct 09 2022

2 rapunzel un cuento en el mundo minecraft coleccio 2021 01 12 about colors Únete a rapunzel de la película de disney enredados en este cuento bilingüe en inglés y en español

rapunzel un cuento en el mundo minecraft coleccio - Jun 05 2022

rapunzel un cuento en el mundo minecraft coleccio 1 7 downloaded from uniport edu ng on july 23 2023 by guest rapunzel un cuento en el mundo minecraft coleccio this is

rapunzel un cuento en el mundo minecraft coleccio p a w - Mar 14 2023

4730486 rapunzel un cuento en el mundo minecraft coleccio 1 16 downloaded from robbinsmanuscripts berkeley edu on by guest rapunzel un cuento en el mundo minecraft

rapunzel cuentos cortos - Feb 01 2022

el hombre estaba tan atemorizado que ni siquiera lo pensó y contestó que sí pasado un tiempo la mujer dio a luz a una hermosa niña a la que le pusieron de nombre rapunzel en honor a

rapunzel un cuento en el mundo minecraft colección mundo - Apr 15 2023

rapunzel un cuento en el mundo minecraft colección mundo minecraft cuentos adaptados nº 1 by jim query may 14th 2020 23 oct 2018 explora el tablero de zullyta33 torre de

rapunzel un cuento en el mundo minecraft colección - Sep 20 2023

jul 15 2017 rapunzel un cuento en el mundo minecraft colección mundo minecraft cuentos adaptados nº 1 spanish edition

kindle edition by query jim download it once

rapunzel un cuento en el mundo minecraft coleccio - Sep 08 2022

rapunzel un cuento en el mundo minecraft coleccio 2 9 downloaded from uniport edu ng on april 14 2023 by guest previously written the novel the pleasant nights by gianfrancesco

rapunzel los cuentos de mundo kuku youtube - Aug 07 2022

sep 21 2020 tomo a la niña en sus brazos decidió llamarla rapunzel y a partir de ese momento fueron inseparables haz click en play para recorrer esta aventura un cuento

rapunzel cuentos infantiles para los niños guainfantil com - Dec 31 2021

oct 22 2014 cuento para niños de rapunzel entonces la bruja trepaba por la trenza y se subía hasta la ventana un día un príncipe que cabalgaba por el bosque pasó por la torre y

rapunzel un cuento en el mundo minecraft coleccio copy - Jul 06 2022

aug 17 2023 rapunzel un cuento en el mundo minecraft coleccio 2 8 downloaded from uniport edu ng on august 17 2023 by guest beneath the sea from the legendary paul

principes de la philosophie du droit philpapers - May 03 2023

web cette édition des principes de la philosophie du droit fondée sur un établissement critique du texte original est la plus complète à ce jour elle propose dans une traduction nouvelle ce texte majeur de la philosophie juridique et politique moderne publié en 1820

principes de la philosophie du droit editions flammarion - Dec 30 2022

web jan 13 2021 les principes de la philosophie du droit figurent aujourd'hui parmi les grandes théories philosophiques de l'État hegel y établit une dialectique ascendante en laquelle il apparaît que le droit abstrait et la moralité ne trouvent leur vérité que dans la

principes de la philosophie du droit cairn info - Aug 06 2023

web cette édition des principes de la philosophie du droit fondée sur un établissement critique du texte original est la plus complète à ce jour elle propose dans une traduction nouvelle ce texte majeur de la philosophie juridique et politique moderne publié en 1820

g w f hegel principes de la philosophie du droit traduction - Mar 01 2023

web g w f hegel principes de la philosophie du droit traduction inédite présentation notes et bibliographie par jean louis vieillard baron persée g w f hegel principes de la philosophie du droit

hegel penseur du droit cnrs Éditions openedition books - Apr 02 2023

web les principes de la philosophie du droit sont l'un des textes les plus lus et les plus controversés de hegel il s'agit à la fois

d un bilan de l histoire de la philosophie morale juridique et politique et d une analyse audacieuse et

personne et propriÉtÉ selon hegel jstor - Sep 26 2022

web définir la philosophie du droit comme philosophie au service de l etat a valu à hegel les reproches politiques bien connus

l accusation d y avoir donné une couverture scientifique à l esprit de la réaction prussienne etc haym

principes de la philosophie du droit wikipedia - Jul 05 2023

web genèse principes de la philosophie du droit est paru en octobre 1820 à la librairie nicolai à berlin avec le sous titre droit

naturel et science de l État en abrégé all naturrecht und staatswissenschaft im grundrisse l ouvrage a

la philosophie platonicienne du droit jstor - Jun 23 2022

web rép 510 b de la science du droit s annoncent avec une même légitimité l idée du droit et la justice d une part et d autre

part l idée du bien et la vertu l idée du droit l idée qui doit s empreindre comme un cachet en toute science pol 258 c par

rapport à la philosophie du droit ne peut être que

principes de la philosophie du droit collection bibliothèque des - Jul 25 2022

web principes de la philosophie du droit g w f hegel quand nous parlons ici de droit nous n entendons pas seulement le droit

civil comme on le fait d ordinaire mais la moralité la Épuisé

principes de la philosophie du droit pdf 2iq1krfdrs0g e - Apr 21 2022

web e book overview description georg wilhelm friedrich hegel 1770 1831 a dit alain est l aristote des temps modernes le

plus profond des penseurs et celui de tous qui a pesé le plus sur les destinées européennes les principes de la philosophie du

droit ont été publiés en 1821 à berlin

principes de la philosophie du droit avec les additions d fnac - Oct 08 2023

web avec les additions d eduard gans édition n 2 principes de la philosophie du droit georg wilhelm friedrich hegel puf des

milliers de livres avec la livraison chez vous en 1 jour ou en magasin avec 5 de réduction ou téléchargez la version ebook

le droit et les droits dans les principes de la philosophie du droit - Feb 17 2022

web mar 29 2023 les différents principes de la legitimité formules par les philosophies des lumières se conjuguent avec l

unanimité plutôt qu avec la majorité l idéal selon lequel la raison est créatrice de ses

[friedrich hegel principes de la philosophie du droit](#) - Nov 28 2022

web jan 17 2022 principes de la philosophie du droit hegel résumé et analyse de l oeuvre principes de la philosophie ou

droit ou droit naturel et science de l État en abrégé georg wilhelm friedrich hegel contribution a la critique de la philosophie

du droit de hegel résumé analyse

principes de la philosophie du droit babelio - Aug 26 2022

web publiés en 1820 par hegel les grundlinien der philosophie des rechts ouvrage connu en france sous la dénomination de

principes de la philosophie du droit il serait sans doute plus exact de traduire son titre par linéaments de la philosophie du droit sont une des oeuvres majeures de la philosophie juridique et politique moderne

hegel la liberté individuelle principes de la philosophie du droit - Oct 28 2022

web simplement le propre du texte de la philosophie du droit est d interposer une médiation de type politique entre subjectivité et mondanité socialité chez hegel c est apparemment la figure du citoyen qui permet de façon privilégiée de comprendre comment le sujet sur fond d activité libre est un vivant mondain et social

hegel principes de la philosophie du droit annabac - Mar 21 2022

web dans un premier temps hegel démontre que les lois juridiques comme les lois physiques nous apparaissent comme des éléments de la réalité qu en tant que tels nous pouvons connaître une loi de la nature est une loi physique qui établit un rapport nécessaire entre une cause et un effet

philosophie du droit wikipédia - Jan 31 2023

web concept principes la philosophie du droit analyse les questions fondamentales du droit 6 elle traite de sa nature et de ses conceptions de la justice elle s intéresse à la genèse des normes et des droits ainsi qu aux fondements de sa validité

cours de philosophie du droit fiches cours fiches et cours de - Jun 04 2023

web sep 29 2019 nous entendons par là tout système de principes que l on établit ou que l on suppose établi pour grouper ou expliquer un certain nombre de faits ou d idées en partant du concept de droit ou de l existence de systèmes juridiques on ne peut rien comprendre aux grands systèmes philosophiques si l on néglige la

la sittlichkeit et les principes de la philosophie du droit de hegel - May 23 2022

web la sittlichkeit et les principes de la philosophie du droit de hegel vit chernyshei plan directeur de mémoire patrice canivez jury gabrielle radica patrice canivez année 2019 2020 master 2 philosophie 2 introduction chez nombre d auteurs la réflexion pratique venait presque toujours parachever une

principes de la philosophie du droit archive org - Sep 07 2023

web may 26 2016 principes de la philosophie du droit hegel principes de la philosophie du droit andre kaan traducteur preface de jean hyppolite paris editions gallimard 1940