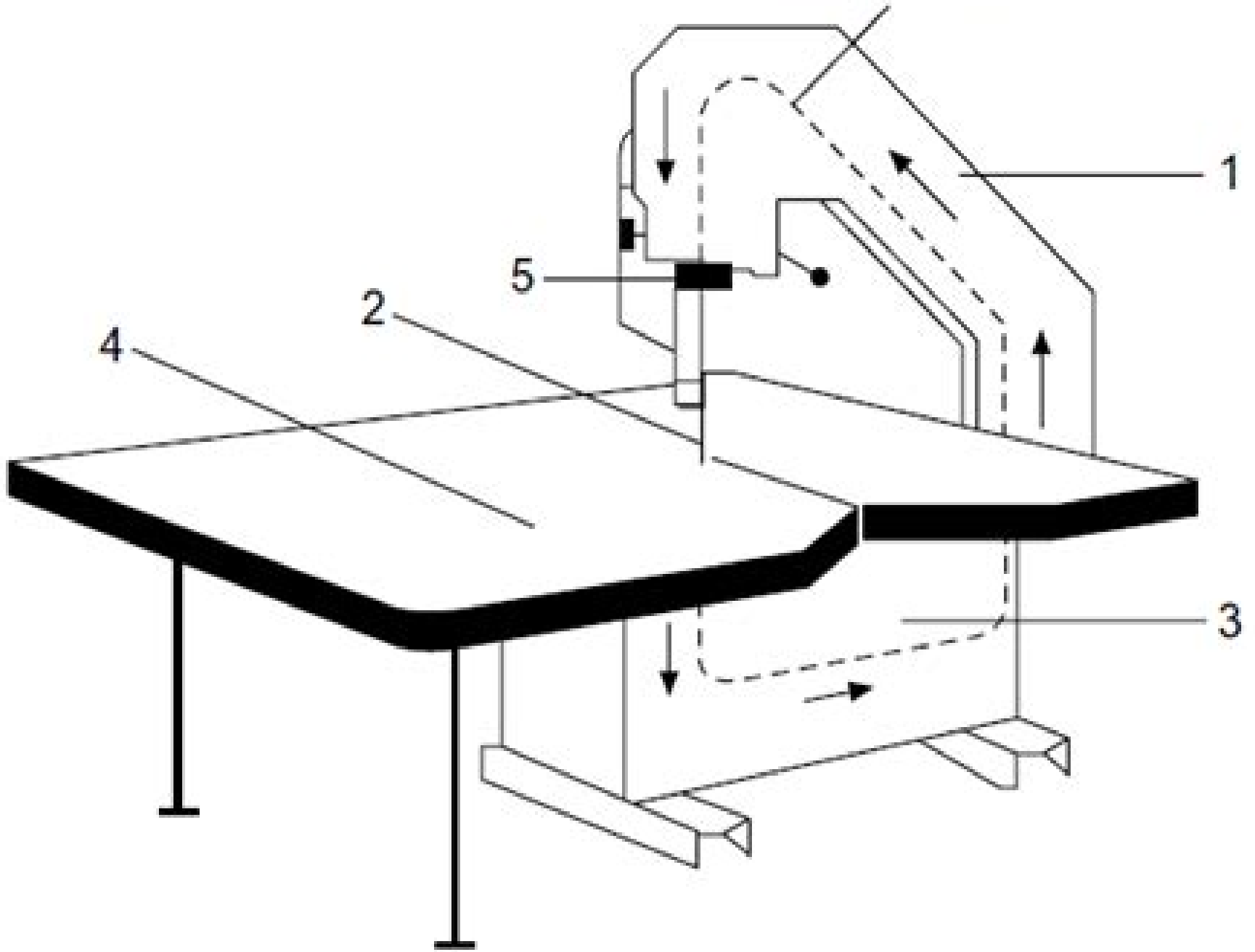


Knife path



Band Knife Machine Manual

Julia Schneider



Band Knife Machine Manual:

Immerse yourself in heartwarming tales of love and emotion with Crafted by is touching creation, Experience Loveis Journey in **Band Knife Machine Manual** . This emotionally charged ebook, available for download in a PDF format (Download in PDF: *), is a celebration of love in all its forms. Download now and let the warmth of these stories envelop your heart.

<https://py.bijouxmedusa.com/book/virtual-library/index.jsp/cummins%20engine%20isx%20spn%20fault%20codes.pdf>

Table of Contents Band Knife Machine Manual

1. Understanding the eBook Band Knife Machine Manual
 - The Rise of Digital Reading Band Knife Machine Manual
 - Advantages of eBooks Over Traditional Books
2. Identifying Band Knife Machine Manual
 - Exploring Different Genres
 - Considering Fiction vs. Non-Fiction
 - Determining Your Reading Goals
3. Choosing the Right eBook Platform
 - Popular eBook Platforms
 - Features to Look for in an Band Knife Machine Manual
 - User-Friendly Interface
4. Exploring eBook Recommendations from Band Knife Machine Manual
 - Personalized Recommendations
 - Band Knife Machine Manual User Reviews and Ratings
 - Band Knife Machine Manual and Bestseller Lists
5. Accessing Band Knife Machine Manual Free and Paid eBooks
 - Band Knife Machine Manual Public Domain eBooks
 - Band Knife Machine Manual eBook Subscription Services
 - Band Knife Machine Manual Budget-Friendly Options
6. Navigating Band Knife Machine Manual eBook Formats

- ePub, PDF, MOBI, and More
 - Band Knife Machine Manual Compatibility with Devices
 - Band Knife Machine Manual Enhanced eBook Features
7. Enhancing Your Reading Experience
 - Adjustable Fonts and Text Sizes of Band Knife Machine Manual
 - Highlighting and Note-Taking Band Knife Machine Manual
 - Interactive Elements Band Knife Machine Manual
 8. Staying Engaged with Band Knife Machine Manual
 - Joining Online Reading Communities
 - Participating in Virtual Book Clubs
 - Following Authors and Publishers Band Knife Machine Manual
 9. Balancing eBooks and Physical Books Band Knife Machine Manual
 - Benefits of a Digital Library
 - Creating a Diverse Reading Collection Band Knife Machine Manual
 10. Overcoming Reading Challenges
 - Dealing with Digital Eye Strain
 - Minimizing Distractions
 - Managing Screen Time
 11. Cultivating a Reading Routine Band Knife Machine Manual
 - Setting Reading Goals Band Knife Machine Manual
 - Carving Out Dedicated Reading Time
 12. Sourcing Reliable Information of Band Knife Machine Manual
 - Fact-Checking eBook Content of Band Knife Machine Manual
 - Distinguishing Credible Sources
 13. Promoting Lifelong Learning
 - Utilizing eBooks for Skill Development
 - Exploring Educational eBooks
 14. Embracing eBook Trends
 - Integration of Multimedia Elements
 - Interactive and Gamified eBooks

Band Knife Machine Manual Introduction

In today's digital age, the availability of Band Knife Machine Manual books and manuals for download has revolutionized the way we access information. Gone are the days of physically flipping through pages and carrying heavy textbooks or manuals. With just a few clicks, we can now access a wealth of knowledge from the comfort of our own homes or on the go. This article will explore the advantages of Band Knife Machine Manual books and manuals for download, along with some popular platforms that offer these resources. One of the significant advantages of Band Knife Machine Manual books and manuals for download is the cost-saving aspect. Traditional books and manuals can be costly, especially if you need to purchase several of them for educational or professional purposes. By accessing Band Knife Machine Manual versions, you eliminate the need to spend money on physical copies. This not only saves you money but also reduces the environmental impact associated with book production and transportation. Furthermore, Band Knife Machine Manual books and manuals for download are incredibly convenient. With just a computer or smartphone and an internet connection, you can access a vast library of resources on any subject imaginable. Whether you're a student looking for textbooks, a professional seeking industry-specific manuals, or someone interested in self-improvement, these digital resources provide an efficient and accessible means of acquiring knowledge. Moreover, PDF books and manuals offer a range of benefits compared to other digital formats. PDF files are designed to retain their formatting regardless of the device used to open them. This ensures that the content appears exactly as intended by the author, with no loss of formatting or missing graphics. Additionally, PDF files can be easily annotated, bookmarked, and searched for specific terms, making them highly practical for studying or referencing. When it comes to accessing Band Knife Machine Manual books and manuals, several platforms offer an extensive collection of resources. One such platform is Project Gutenberg, a nonprofit organization that provides over 60,000 free eBooks. These books are primarily in the public domain, meaning they can be freely distributed and downloaded. Project Gutenberg offers a wide range of classic literature, making it an excellent resource for literature enthusiasts. Another popular platform for Band Knife Machine Manual books and manuals is Open Library. Open Library is an initiative of the Internet Archive, a non-profit organization dedicated to digitizing cultural artifacts and making them accessible to the public. Open Library hosts millions of books, including both public domain works and contemporary titles. It also allows users to borrow digital copies of certain books for a limited period, similar to a library lending system. Additionally, many universities and educational institutions have their own digital libraries that provide free access to PDF books and manuals. These libraries often offer academic texts, research papers, and technical manuals, making them invaluable resources for students and researchers. Some notable examples include MIT OpenCourseWare, which offers free access to course materials from the Massachusetts Institute of Technology, and the Digital Public Library of America, which provides a vast collection of digitized books and historical documents. In conclusion, Band Knife Machine Manual books and manuals for download have transformed the way we access

information. They provide a cost-effective and convenient means of acquiring knowledge, offering the ability to access a vast library of resources at our fingertips. With platforms like Project Gutenberg, Open Library, and various digital libraries offered by educational institutions, we have access to an ever-expanding collection of books and manuals. Whether for educational, professional, or personal purposes, these digital resources serve as valuable tools for continuous learning and self-improvement. So why not take advantage of the vast world of Band Knife Machine Manual books and manuals for download and embark on your journey of knowledge?

FAQs About Band Knife Machine Manual Books

How do I know which eBook platform is the best for me? Finding the best eBook platform depends on your reading preferences and device compatibility. Research different platforms, read user reviews, and explore their features before making a choice. Are free eBooks of good quality? Yes, many reputable platforms offer high-quality free eBooks, including classics and public domain works. However, make sure to verify the source to ensure the eBook credibility. Can I read eBooks without an eReader? Absolutely! Most eBook platforms offer web-based readers or mobile apps that allow you to read eBooks on your computer, tablet, or smartphone. How do I avoid digital eye strain while reading eBooks? To prevent digital eye strain, take regular breaks, adjust the font size and background color, and ensure proper lighting while reading eBooks. What the advantage of interactive eBooks? Interactive eBooks incorporate multimedia elements, quizzes, and activities, enhancing the reader engagement and providing a more immersive learning experience. Band Knife Machine Manual is one of the best book in our library for free trial. We provide copy of Band Knife Machine Manual in digital format, so the resources that you find are reliable. There are also many Ebooks of related with Band Knife Machine Manual. Where to download Band Knife Machine Manual online for free? Are you looking for Band Knife Machine Manual PDF? This is definitely going to save you time and cash in something you should think about.

Find Band Knife Machine Manual :

[cummins engine isx spn fault codes](#)

[core connections course 3 chapter](#)

[conveyor components douglas manufacturing](#)

critical thinking 10 edition

conversation tactics workplace strategies book 4 win office politics disarm difficult coworkers get ahead rise to

the top

[cummins m11 block heater diesel service parts com](#)

[cost accounting 9th edition answer key](#)

criminal justice in canada 5th edition

[corporate law exam questions and answers](#)

[corso chitarra fingerstyle](#)

cooking up a business lessons from food lovers who turned their passion into career and how you can too rachel hofstetter

[creating a lean culture tools to sustain lean conversions second edition](#)

[esp parabolic trough collectors hotter and bigger](#)

[criminology 8th edition freda adler download pdf ebooks about criminology 8th edition freda adler or read online pdf viewer](#)

[creative zen stone plus guide](#)

Band Knife Machine Manual :

yel yel motivasi belajar youtube - Dec 03 2021

web feb 2 2022 motivasi belajar penguatan dan yel yel motivasi contoh yel yel pramuka salam pramuka media pembelajaran dengan yel yel motivasi sebagai strategi

tepuk yel yel penyemangat belajar youtube - Aug 23 2023

dalam suatu kompetisi atau acara kamu mungkin pernah mendengar teriakan semangat untuk memotivasi diri atau tim yang didukung namun teriakan tersebut tidak sekadar see more

yel yel motivasi hrd youtube - Jun 09 2022

web hipotesis yang diajukan penguatan dan yel yel motivasi pada jam jam akhir pelajaran dapat meningkatkan semangat belajar peserta didik hasil analisis semangat belajar

5 yel yel sumpah pemuda 2023 penuh motivasi dan semangat - Feb 17 2023

web oct 22 2021 makanya enggak heran kalau yel yel singkat jadi komponen penting untuk memberikan motivasi dan semangat kepada suatu kelompok yang sedang mengikuti

pdf teknik penguatan dan yel yel motivasi meningkatkan - May 08 2022

web sep 12 2023 tentukan apa tujuan yel yel tersebut dan kenali siapa yang akan menonton penampilan yel yel tersebut dengan ini kamu bisa menyesuaikan ide untuk yel yel

51 contoh yel yel kelompok singkat lucu untuk berbagai acara - Apr 19 2023

web oct 17 2023 yel yel dapat membuat suasana acara menjadi lebih meriah dan menyenangkan yel yel adalah cara yang efektif untuk memberikan semangat dan

21 contoh yel yel singkat kelompok seru untuk berbagai acara - Aug 11 2022

web mar 29 2022 yel yel adalah teriakan yang memotivasi berisi pesan positif untuk meningkatkan semangat membuat yel yel bisa dengan menggunakan nada berbagai

8 contoh yel yel keren terbaru 2023 singkat yang - Nov 14 2022

web sep 11 2023 1 contoh yel yel pendek semangat untuk team menggunakan lagu meraih mimpi versi j rock 2 contoh yel yel pendek semangat untuk team

contoh yel yel motivasi perusahaan delinewstv - Nov 02 2021

yel yel penyemangat belajar siswa di kelas youtube - Sep 12 2022

web jul 17 2023 yel yel adalah teriakan atau pekikan semangat yang dilakukan oleh sekelompok orang untuk membuat suasana jadi terasa lebih semangat oleh sebab itu

pdf teknik penguatan dan yel yel motivasi meningkatkan - Mar 06 2022

web feb 4 2022 yel yel adalah teriakan yang dilakukan untuk memberikan motivasi dan semangat bagi tim yang bertanding kami selalu kompak bangun pagi dengan semangat

23 contoh lirik yel yel kreatif berbagai tema - Jun 21 2023

yo ayo kita berjuang yo ayo kita pasti menang panas hujan bukan halangan selama bersama kawan kawan kita hadapi semua see more

contoh yel yel motivasi semangat kerja delinewstv - Feb 05 2022

web guru perlu membiasakan memberikan semangat melalui yel yel untuk membangun energi positif dalam diri siswa

yel yel untuk memotivasi pelajar pancasila yang dilakukan - Jan 04 2022

web jan 28 2022 shorts

ide 37 kata kata yel yel motivasi kerja kata - Jan 16 2023

web oct 24 2023 berikut ini rekomendasi yel yel sumpah pemuda 2023 yang penuh motivasi dan semangat yel yel sumpah pemuda 1 nada lagu seorang kapiten kami dari

10 yel yel singkat dan lucu untuk lomba bisa jadi inspirasi - May 20 2023

nada lagu aku punya anjing kecil kami ini regu tulip cantik cantik dan cerdik kami pasti akan berjuang sampai jadi pemenang tulip see more

15 contoh yel yel kelompok singkat dan lucu untuk semua acara - Apr 07 2022

web apr 1 2016 hipotesis yang diajukan yaitu penggunaan penguatan dan yel yel motivasi pada jam jam akhir pelajaran dapat meningkatkan semangat belajar peserta didik dalam

yel yel motivasi kyai mustofa al kifli youtube - Dec 15 2022

web jul 23 2023 pramuka scoutlover permainan pramuka tepuk pramuka game outbound yel yel pramuka yel yel motivasi kyai mustofa al kifli bergabung dengan

20 yel yel singkat cocok buat acara sekolah kampus hingga - Mar 18 2023

web oct 17 2023 yel yel bertujuan untuk meningkatkan semangat motivasi dan kebersamaan dalam sebuah kelompok atau tim umumnya yel yel digunakan dalam

9 yel yel singkat keren lucu semangat dan kreatif yang - Sep 24 2023

suatu yel yel atau sorakan bisa membuat kondisi kelompok menjadi lebih ceria yel yel akan diteriakkan agar kelompok tersebut kembali semangat biasanya pada acara perlombaan atau kegiatan pramuka yel yel juga bisa menjadi identitas sebuah kelompok agar berbeda dari kelompok yang lain pada see more

15 yel yel kelompok terbaik penuh semangat yang - Jul 22 2023

nada lagu balonku regu mawar paling maju keren keren orangnya reguku pasti menang tak dapat dikalahkan kalau ada yang nyerang dor kami takkan mengalah kami akan berjuang sampai jadi juara see more

12 contoh yel yel pendek semangat untuk team yang unik dan - Oct 13 2022

web nov 24 2020 yel yel penyemangat belajar siswa di kelas ada dua contoh yel yel yaitu yel yel berupa pernyataan siswa secara bersama sama dan yel yel berupa dialog

contoh lirik yel yel semangat belajar universitas123 - Jul 10 2022

web about press copyright contact us creators advertise developers terms privacy policy safety how youtube works test new features press copyright contact us creators

blauer berg und weisse wolke buddhistische weishe - Sep 03 2023

web blauer berg und weisse wolke buddhistische weishe downloaded from seminary fbny org by guest jonah quincy dr heinrich berghaus physikalischer atlas

blauer berg und weiße wolke buddhistische weisheiten - Jan 27 2023

web abebooks com blauer berg und weiße wolke buddhistische weisheiten 9783458205067 and a great selection of similar new used and collectible books

blauer berg und weisse wolke buddhistische weishe copy - Oct 04 2023

web blauer berg und weisse wolke buddhistische weishe aas jan 05 2021 der orden des sima chengzhen und des wang ziqiao oct 14 2021 ein nicht buddhist fragt

blauer berg und weisse wolke buddhistische weishe 2022 - Nov 24 2022

web blauer berg und weisse wolke buddhistische weishe die seele der dinge der fliegende zirkus der physik allgemeine historie der reisen zu wasser und lande 4

blauer berg und weisse wolke buddhistische weishe copy - Jan 15 2022

web apr 6 2023 guide blauer berg und weisse wolke buddhistische weishe as you such as by searching the title publisher or authors of guide you in point of fact want you can

blauer berg und weisse wolke buddhistische weishe pdf - Mar 17 2022

web apr 22 2023 blauer berg und weisse wolke buddhistische weishe 2 10 downloaded from uniport edu ng on april 22 2023 by guest sacrificial vessels and oracle crowns

blauer berg und weiße wolke buddhistische weisheiten 2506 - Oct 24 2022

web blauer berg und weiße wolke buddhistische weisheiten insel bücherei verlag insel verlag gmbh isbn 10 3458205063 isbn 13 9783458205067 gebrauchthardcover

blauer berg und weiße wolke buddhistische weisheiten - Apr 29 2023

web dieser band versammelt texte gedichte und sentenzen von han shan ikkyu und anderen großen dichtern des zen buddhismus und fügt sie zu einem brevier voller

blauer berg und weisse wolke buddhistische weishe pdf - Apr 17 2022

web blauer berg und weisse wolke buddhistische weishe 2 10 downloaded from uniport edu ng on september 6 2023 by guest fotos veranschaulichen den

blauer berg und weisse wolke buddhistische weishe pdf - Feb 13 2022

web blauer berg und weisse wolke buddhistische weishe 2 8 downloaded from uniport edu ng on july 11 2023 by guest structured form the jaina onomasticon

blauer berg und weisse wolke buddhistische weishe - Aug 02 2023

web seelen im dies und jenseits sorgte sich die lehre buddhas die in tausenden von klöstern heimat gefunden hatte seit dem einmarsch der kommunisten 1951 ist tibet geteilt und

blauer berg und weisse wolke buddhistische weishe - Nov 12 2021

web mar 29 2023 blauer berg und weisse wolke buddhistische weishe 2 7 downloaded from uniport edu ng on march 29 2023 by guest stimmungsvoll erzählte geschichten

blauer berg und weiße wolke buch von ursula gräfe insel verlag - May 31 2023

web mar 7 2015 buddhistische weisheiten ausgewählt von ursula gräfe die weiße wolke war die ständige begleiterin des blauen berges alle welt kannte die beiden denn egal

blauer berg und weiße wolke buddhistische weisheiten insel - Feb 25 2023

web blauer berg und weiße wolke buddhistische weisheiten insel bücherei on amazon com au free shipping on eligible orders

blauer berg und weiße wolke

blauer berg und weisse wolke buddhistische weishe full pdf - May 19 2022

web enter the realm of blauer berg und weisse wolke buddhistische weishe a mesmerizing literary masterpiece penned by a distinguished author guiding readers on a

blauer berg und weiße wolke leseschatz - Jun 19 2022

web mar 7 2015 we would like to show you a description here but the site won t allow us

blauer berg und weiße wolke buddhistische weisheiten insel - Mar 29 2023

web blauer berg und weiße wolke buddhistische weisheiten insel bücherei gräfe ursula isbn 9783458205067 kostenloser versand für alle bücher mit versand und verkauf

blauer berg und weisse wolke buddhistische weishe dotnbm - Dec 14 2021

web blauer berg und weisse wolke buddhistische weishe das werk von johann christoph erhard maler und radirer jesus blaue augen weisses herz dr heinrich berghaus

blauer berg und weiße wolke bücher orell füssli - Dec 26 2022

web heimlieferung oder in filiale blauer berg und weiße wolke buddhistische weisheiten orell füssli der buchhändler ihres vertrauens geschäftskunden kundenprogramme

blauer berg und weisse wolke buddhistische weishe 2023 - Jul 21 2022

web blauer berg und weisse wolke buddhistische weishe downloaded from api digital capito eu by guest leblanc kaiser allgemeine historie der reisen zu

pdf blauer berg und weisse wolke buddhistische weishe - Sep 22 2022

web blauer berg und weisse wolke buddhistische weishe mineralogisches hand lexicon oder alphabetische aufstellung und beschreibung aller bisher bekannten fossilien

blauer berg und weiße wolke media suhrkamp de - Jul 01 2023

web blauer berg und weisse wolke buddhistische weisheiten ausgewählt von ursula gräfe insel verlag blauer berg und weisse wolke blauer berg und weiße

blauer berg und weisse wolke buddhistische weishe julia - Aug 22 2022

web this online publication blauer berg und weisse wolke buddhistische weishe can be one of the options to accompany you as soon as having additional time it will not waste

oracle sql interactive workbook interactive workbo book - Mar 19 2023

web oracle sql interactive workbook interactive workbo beginning oracle application express 5 jun 11 2021 whether you re new to oracle or an old hand who has yet to test the waters of apex beginning oracle application express 5 introduces the processes and best practices you ll need to become proficient with apex the book shows off the

oracle sql interactive workbook interactive workbo full pdf - Oct 14 2022

web oracle sql interactive workbook interactive workbo expert oracle database architecture mastering oracle sql create rapid web application in oracle 4 oracle sql interactive workbook interactive workbo 2021 12 20 users and business owners overlooking these perspectives is one of the chief causes of expensive rework

oracle sql interactive workbook interactive workbo - Aug 12 2022

web oracle sql interactive workbook interactive workbo classrooms and literacy dec 21 2019 this volume explores the multiple and complex relationship between classrooms and literacy through four major themes community cognitive consequences access and power chapters emphasize community dynamics in exploring the

oracle sql interactive workbook interactive workbo pdf pdf - Jul 11 2022

web oracle sql interactive workbook interactive workbo pdf reviewing oracle sql interactive workbook interactive workbo pdf unlocking the spellbinding force of linguistics in a fast paced world fueled by information and interconnectivity the spellbinding force of linguistics has

oracle sql interactive workbook interactive workbook prentice - Feb 18 2023

web oracle sql interactive workbook interactive workbook prentice hall by alice rischert alex morrison synopsis before oracle dbas and developers can move on to sophisticated application development they must gain an in depth understanding of oracle sql oracle sql interactive workbook is the fastest way to master oracle sql

oracle sql interactive workbook morrison alex free - Apr 20 2023

web oracle sql interactive workbook by morrison alex rischert alice alexandrea morrison alice rischart

oraclesqlinteractive workbookinteractive workbo - Jun 10 2022

web workbo sams teach yourself sql in 24 hours oracle pl sql by example the oracle hacker s handbook sql cookbook tableau creating interactive data visualizations expert oracle exadata american book publishing record oracle sql interactive workbook infoworld oracle sql plus big data computerworld sql in 10 minutes a

oracle sql interactive workbook 2nd edition informit - Jul 23 2023

web dec 24 2002 the fastest way to master oracle sql a complete book and web hands on interactive course unique workbook pedagogy with hands on exercises programming projects and a free web based training module covers every key oracle sql concept sql plus ddl dml dql the oracle data dictionary and more

oraclesqlinteractiveworkbookinteractiveworkbo pdf - Nov 15 2022

web oracle sql interactive workbook john wiley sons practical sql is an approachable and fast paced guide to sql structured query language the standard programming language for defining organizing and exploring data in relational databases the book focuses on using sql to find the

[oraclesqlinteractiveworkbookinteractiveworkbo pdf](#) - May 09 2022

web oracle sql interactive workbook prentice hall professional learn to use oracle 9i to build dynamic data driven web sites get step by step details on creating and deploying web applications using pl sql html java xml wml perl and php this book covers everything users need to know to master

oracle pl sql interactive workbook rosenzweig benjamin - Dec 16 2022

web the oracle pl sql interactive workbook presents the oracle pl sql programming language in a unique and highly effective format it challenges you to learn oracle pl sql by using it rather than by simply reading about it

oracle sql interactive workbook interactive workbo pdf pdf - Jun 22 2023

web oracle sql interactive workbook interactive workbo pdf pages 2 16 oracle sql interactive workbook interactive workbo pdf upload suny n hayda 2 16 downloaded from china int indonesia travel on september 6 2023 by suny n hayda string conversion aggregate such topics as literals nulls case expressions datatype conversion

[oracle sql interactive workbook informit](#) - May 21 2023

web the fastest way to master oracle sql a complete book and web hands on course covers every key oracle sql concept sql plus ddl dml dql the oracle data dictionary and more test your thinking projects hundreds of self review questions and dozens of exercises all you need to really master oracle sql

oracle sql interactive workbook interactive workbo copy - Apr 08 2022

web aug 22 2023 oracle sql interactive workbook interactive workbo below understanding oracle apex 20 application development edward sciore 2021 01 03 this book shows developers and oracle professionals how to build practical non trivial web applications using oracle s rapid application development environment application express apex

[oraclesqlinteractiveworkbookinteractiveworkbo](#) - Feb 06 2022

web workbo oracle sql plus the definitive guide database administration beginning oracle sql beginning oracle sql oracle sql plus pocket reference oracle sql interactive workbook oracle pl sql programming a developer s workbook the business analyst s guide to oracle hyperion interactive reporting 11

oracle live sql - Jan 17 2023

web an overview of how to combine sql pattern matching with sql macros to create reusable code fragments script 1 846 861 scripts 5 778 likes 1 076 published scripts 10 523 new scripts created in the last 7 days

oracle sql interactive workbook interactive workbo pdf copy - Sep 13 2022

web jul 31 2023 recognizing the artifice ways to acquire this book oracle sql interactive workbook interactive workbo pdf is additionally useful you have remained in right site to start getting this info get the oracle sql interactive workbook interactive workbo pdf partner that we provide here and check out the link you could buy guide oracle sql

oracle sql interactive workbook amazon com - Aug 24 2023

web may 1 2000 free access to interactive oracle sql training web site learn to write sql fluently now no oracle sql experience necessary covers all key oracle sql concepts real life labs and test your thinking q as new to oracle development this integrated book and web learning solution will help you master oracle sql fast

oraclesqlinteractiveworkbookinteractiveworkbo full pdf - Jan 05 2022

web mastering oracle sql sql cookbook oracle apex reporting tips tricks practical sql sql in 10 minutes a day sams teach yourself reference the business analyst s guide to oracle hyperion interactive reporting 11 postgis in action third edition oracle sql interactive workbook oracle sql plus computerworld learning sql oracle

oraclesqlinteractiveworkbookinteractiveworkbo - Mar 07 2022

web oracle to db2 conversion guide compatibility made easy o reilly media inc this book shows you how to master application express to build effective web based oracle database applications