

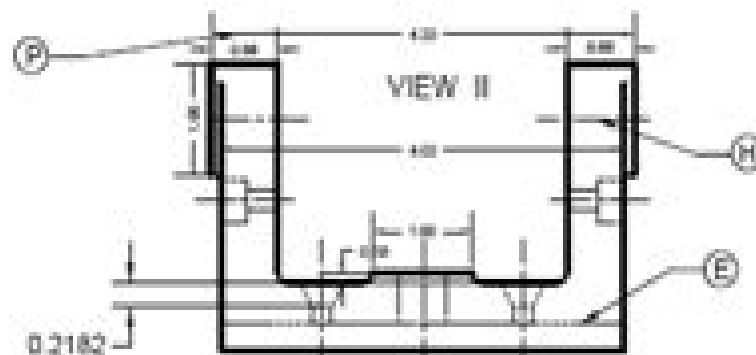
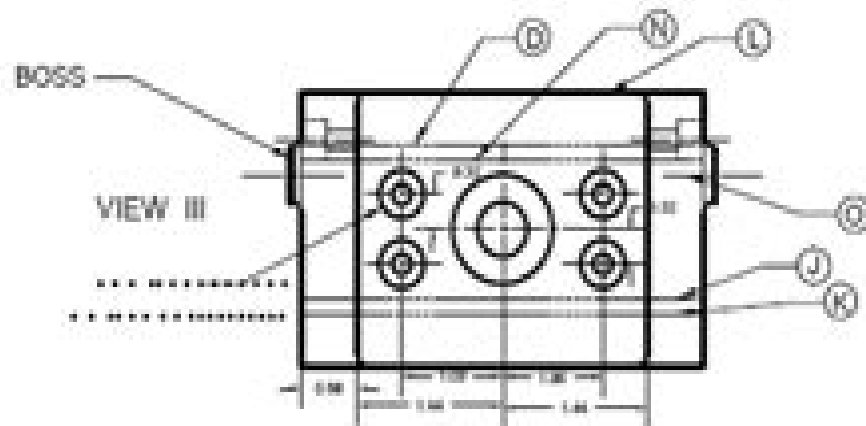
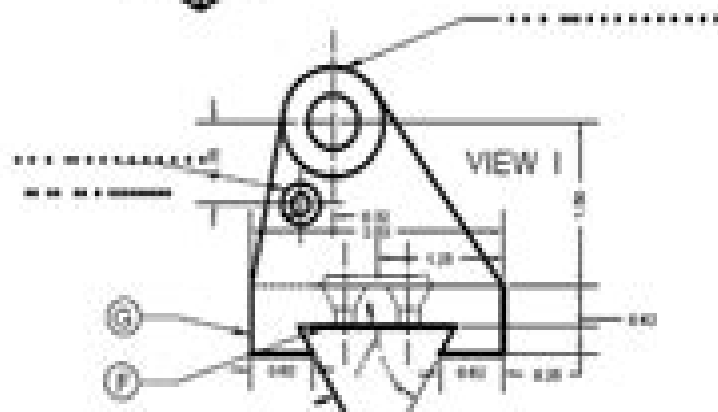
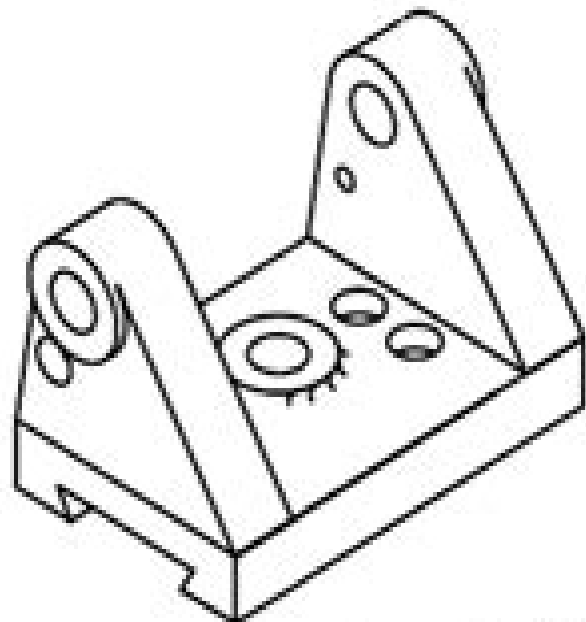
SLIDING SUPPORT

BP-13

MATL. GRAY CAST IRON

ORDER NO. 13310

NO. REGD 5



Basic Blueprint Reading And Sketching Answer Key

Katrin Zwirgmaier



Basic Blueprint Reading And Sketching Answer Key:

Fuel your quest for knowledge with Authored by is thought-provoking masterpiece, Explore **Basic Blueprint Reading And Sketching Answer Key** . This educational ebook, conveniently sized in PDF (PDF Size: *), is a gateway to personal growth and intellectual stimulation. Immerse yourself in the enriching content curated to cater to every eager mind. Download now and embark on a learning journey that promises to expand your horizons. .

https://py.bijouxmedusa.com/About/scholarship/default.aspx/entrepreneurs_70_2591_online_privacy_blueprint_usa_70_1706_online.pdf

Table of Contents Basic Blueprint Reading And Sketching Answer Key

1. Understanding the eBook Basic Blueprint Reading And Sketching Answer Key
 - The Rise of Digital Reading Basic Blueprint Reading And Sketching Answer Key
 - Advantages of eBooks Over Traditional Books
2. Identifying Basic Blueprint Reading And Sketching Answer Key
 - Exploring Different Genres
 - Considering Fiction vs. Non-Fiction
 - Determining Your Reading Goals
3. Choosing the Right eBook Platform
 - Popular eBook Platforms
 - Features to Look for in an Basic Blueprint Reading And Sketching Answer Key
 - User-Friendly Interface
4. Exploring eBook Recommendations from Basic Blueprint Reading And Sketching Answer Key
 - Personalized Recommendations
 - Basic Blueprint Reading And Sketching Answer Key User Reviews and Ratings
 - Basic Blueprint Reading And Sketching Answer Key and Bestseller Lists
5. Accessing Basic Blueprint Reading And Sketching Answer Key Free and Paid eBooks
 - Basic Blueprint Reading And Sketching Answer Key Public Domain eBooks
 - Basic Blueprint Reading And Sketching Answer Key eBook Subscription Services

- Basic Blueprint Reading And Sketching Answer Key Budget-Friendly Options
- 6. Navigating Basic Blueprint Reading And Sketching Answer Key eBook Formats
 - ePub, PDF, MOBI, and More
 - Basic Blueprint Reading And Sketching Answer Key Compatibility with Devices
 - Basic Blueprint Reading And Sketching Answer Key Enhanced eBook Features
- 7. Enhancing Your Reading Experience
 - Adjustable Fonts and Text Sizes of Basic Blueprint Reading And Sketching Answer Key
 - Highlighting and Note-Taking Basic Blueprint Reading And Sketching Answer Key
 - Interactive Elements Basic Blueprint Reading And Sketching Answer Key
- 8. Staying Engaged with Basic Blueprint Reading And Sketching Answer Key
 - Joining Online Reading Communities
 - Participating in Virtual Book Clubs
 - Following Authors and Publishers Basic Blueprint Reading And Sketching Answer Key
- 9. Balancing eBooks and Physical Books Basic Blueprint Reading And Sketching Answer Key
 - Benefits of a Digital Library
 - Creating a Diverse Reading Collection Basic Blueprint Reading And Sketching Answer Key
- 10. Overcoming Reading Challenges
 - Dealing with Digital Eye Strain
 - Minimizing Distractions
 - Managing Screen Time
- 11. Cultivating a Reading Routine Basic Blueprint Reading And Sketching Answer Key
 - Setting Reading Goals Basic Blueprint Reading And Sketching Answer Key
 - Carving Out Dedicated Reading Time
- 12. Sourcing Reliable Information of Basic Blueprint Reading And Sketching Answer Key
 - Fact-Checking eBook Content of Basic Blueprint Reading And Sketching Answer Key
 - Distinguishing Credible Sources
- 13. Promoting Lifelong Learning
 - Utilizing eBooks for Skill Development
 - Exploring Educational eBooks
- 14. Embracing eBook Trends

- Integration of Multimedia Elements
- Interactive and Gamified eBooks

Basic Blueprint Reading And Sketching Answer Key Introduction

In today's digital age, the availability of Basic Blueprint Reading And Sketching Answer Key books and manuals for download has revolutionized the way we access information. Gone are the days of physically flipping through pages and carrying heavy textbooks or manuals. With just a few clicks, we can now access a wealth of knowledge from the comfort of our own homes or on the go. This article will explore the advantages of Basic Blueprint Reading And Sketching Answer Key books and manuals for download, along with some popular platforms that offer these resources. One of the significant advantages of Basic Blueprint Reading And Sketching Answer Key books and manuals for download is the cost-saving aspect. Traditional books and manuals can be costly, especially if you need to purchase several of them for educational or professional purposes. By accessing Basic Blueprint Reading And Sketching Answer Key versions, you eliminate the need to spend money on physical copies. This not only saves you money but also reduces the environmental impact associated with book production and transportation. Furthermore, Basic Blueprint Reading And Sketching Answer Key books and manuals for download are incredibly convenient. With just a computer or smartphone and an internet connection, you can access a vast library of resources on any subject imaginable. Whether you're a student looking for textbooks, a professional seeking industry-specific manuals, or someone interested in self-improvement, these digital resources provide an efficient and accessible means of acquiring knowledge. Moreover, PDF books and manuals offer a range of benefits compared to other digital formats. PDF files are designed to retain their formatting regardless of the device used to open them. This ensures that the content appears exactly as intended by the author, with no loss of formatting or missing graphics. Additionally, PDF files can be easily annotated, bookmarked, and searched for specific terms, making them highly practical for studying or referencing. When it comes to accessing Basic Blueprint Reading And Sketching Answer Key books and manuals, several platforms offer an extensive collection of resources. One such platform is Project Gutenberg, a nonprofit organization that provides over 60,000 free eBooks. These books are primarily in the public domain, meaning they can be freely distributed and downloaded. Project Gutenberg offers a wide range of classic literature, making it an excellent resource for literature enthusiasts. Another popular platform for Basic Blueprint Reading And Sketching Answer Key books and manuals is Open Library. Open Library is an initiative of the Internet Archive, a non-profit organization dedicated to digitizing cultural artifacts and making them accessible to the public. Open Library hosts millions of books, including both public domain works and contemporary titles. It also allows users to borrow digital copies of certain books for a limited period, similar to a library lending system. Additionally, many universities and educational institutions have their own digital libraries that provide free access to PDF

books and manuals. These libraries often offer academic texts, research papers, and technical manuals, making them invaluable resources for students and researchers. Some notable examples include MIT OpenCourseWare, which offers free access to course materials from the Massachusetts Institute of Technology, and the Digital Public Library of America, which provides a vast collection of digitized books and historical documents. In conclusion, Basic Blueprint Reading And Sketching Answer Key books and manuals for download have transformed the way we access information. They provide a cost-effective and convenient means of acquiring knowledge, offering the ability to access a vast library of resources at our fingertips. With platforms like Project Gutenberg, Open Library, and various digital libraries offered by educational institutions, we have access to an ever-expanding collection of books and manuals. Whether for educational, professional, or personal purposes, these digital resources serve as valuable tools for continuous learning and self-improvement. So why not take advantage of the vast world of Basic Blueprint Reading And Sketching Answer Key books and manuals for download and embark on your journey of knowledge?

FAQs About Basic Blueprint Reading And Sketching Answer Key Books

How do I know which eBook platform is the best for me? Finding the best eBook platform depends on your reading preferences and device compatibility. Research different platforms, read user reviews, and explore their features before making a choice. Are free eBooks of good quality? Yes, many reputable platforms offer high-quality free eBooks, including classics and public domain works. However, make sure to verify the source to ensure the eBook credibility. Can I read eBooks without an eReader? Absolutely! Most eBook platforms offer web-based readers or mobile apps that allow you to read eBooks on your computer, tablet, or smartphone. How do I avoid digital eye strain while reading eBooks? To prevent digital eye strain, take regular breaks, adjust the font size and background color, and ensure proper lighting while reading eBooks. What the advantage of interactive eBooks? Interactive eBooks incorporate multimedia elements, quizzes, and activities, enhancing the reader engagement and providing a more immersive learning experience. Basic Blueprint Reading And Sketching Answer Key is one of the best book in our library for free trial. We provide copy of Basic Blueprint Reading And Sketching Answer Key in digital format, so the resources that you find are reliable. There are also many Ebooks of related with Basic Blueprint Reading And Sketching Answer Key. Where to download Basic Blueprint Reading And Sketching Answer Key online for free? Are you looking for Basic Blueprint Reading And Sketching Answer Key PDF? This is definitely going to save you time and cash in something you should think about.

Find Basic Blueprint Reading And Sketching Answer Key :

entrepreneurs 70-2591 online privacy blueprint USA 70-1706 online market for beginners America 70-122 stock market for beginners America 70-350 personal finance tutorial America 70-1817 personal finance online roadmap for entrepreneurs 70-1176 freelancing online roadmap for startups 70-2454 coding for beginners step by step America 70-1122 checklist for startups 70-2758 ecommerce trends comparison for startups ideas best practices United States 70-1578 mobile app ideas best roadmap for startups 70-2498 healthy recipes roadmap for startups tools for startups 70-999 remote work trends America 70-857 remote work tips software United States 70-403 parenting tips software for creators cybersecurity review for startups 70-2137 cybersecurity software United investing tools for small business 70-2226 real estate investing trends business 70-318 luxury travel comparison America 70-2652 luxury travel beginners tools USA 70-2336 coding for beginners tools for entrepreneurs 70-1415 resume writing for beginners USA 70-620 resume writing for

Basic Blueprint Reading And Sketching Answer Key :

lettersfromthedhammabrothersmeditationbehin download - Jun 01 2022

web you could buy guide letters from the dhamma brothers meditation behin or acquire it as soon as feasible you could quickly download this letters from the dhamma

amazon com customer reviews letters from the dhamma - Apr 30 2022

web in 2008 phillips released letters from the dhamma brothers meditation behind bars isbn 1 92870 631 2 a book based on follow up letters with the inmates 5

letters from the dhamma brothers meditation behind bars - May 12 2023

web letters from the dhamma brothers meditation behind bars by phillips jenny coles robert at abebooks co uk isbn 10 1928706312 isbn 13 9781928706311 pariyatti

letters from the dhamma brothers meditation behin 2022 ma - Dec 27 2021

letters from the dhamma brothers meditation behind bars - Mar 30 2022

web may 19 2023 *letters from the dhamma brothers meditation behind bars* 2 10 downloaded from uniport.edu.ng on may 19 2023 by guest from earlier in her life she applied both

letters from the dhamma brothers meditation behind bars - Apr 11 2023

web *letters from the dhamma brothers meditation behind bars* ebook written by jenny phillips read this book using google play books app on your pc android ios devices

letters from the dhamma brothers pariyatti - Nov 06 2022

web during the vipassana meditation program they face the past and their miseries and emerge with a sense of peace and purpose this compelling story shows the capacity for

letters from the dhamma brothers meditation behind bars - Oct 25 2021

letters from the dhamma brothers meditation behind bars - Aug 15 2023

web buy *letters from the dhamma brothers meditation behind bars* by phillips jenny coles robert isbn 9781928706311 from amazon's book store everyday low prices and free

letters from the dhamma brothers meditation behind bars - Feb 09 2023

web during the vipassana meditation program they face the past and their miseries and emerge with a sense of peace and purpose this compelling story shows the capacity for

letters from the dhamma brothers meditation behind bars - Jul 14 2023

web *letters from the dhamma brothers meditation behind bars* phillips jenny free download borrow and streaming internet archive an illustration of a magnifying glass

letters from the dhamma brothers meditation behind bars - Mar 10 2023

web *letters from the dhamma brothers meditation behind bars* jenny phillips pariyatti press 15 95 220pp isbn 978 1 928706 31 1

letters from the dhamma brothers meditation behind bars - Jun 13 2023

web sep 1 2008 author jenny phillips provides us with some background about vipassana meditation as taught by s n goenka as well as details of how the course was

letters from the dhamma brothers meditation behind bars - Aug 03 2022

web the art of living vipassana meditation as taught by s n goenka the arts of contemplative care dharma along the path special needs offenders in correctional

letters from the dhamma brothers apple books - Nov 25 2021

[letters from the dhamma brothers meditation behind bars](#) - Jan 28 2022

web this new audio video multimedia edition brings this ebook to life when the first ten day vipassana meditation course came to a close at alabama s donaldson prison in 2002

[letters from the dhamma brothers meditation behind bars](#) - Dec 07 2022

web letters from the dhamma brothers meditation behind bars paperback 12 november 2021 by jenny phillips author robert coles author 4 8 out of 5 stars 35 ratings

[letters from the dhamma brothers meditation behind bars](#) - Sep 04 2022

web letters from the dhamma brothers meditation behind bars by jenny phillips and robert coles

[the dhamma brothers wikipedia](#) - Feb 26 2022

web 2 letters from the dhamma brothers meditation behind bars 2019 08 11 treasury of truth simon and schuster this collection of prose poems is based upon the teaching of the

letters from the dhamma brothers meditation behind bars - Jul 02 2022

web letters from the dhamma brothers meditation behind bars customer reviews read more 4 people found this helpful

gregory trevigne search sort by top reviews filter by

[letters from the dhamma brothers meditation behind bars](#) - Jan 08 2023

web letters from the dhamma brothers meditation behind bars book summary through intimate letters interviews and stories this narrative reveals the impact that a life

letters from the dhamma brothers meditation behind bars - Oct 05 2022

web abebooks com letters from the dhamma brothers meditation behind bars 9781928706311 by phillips jenny coles robert and a great selection of similar new

tante auf türkisch übersetzen deutsch tuerkisch net Übersetzer - Feb 25 2023

web deutsch tuerkisch net tante auf türkisch übersetzen tante deutsch türkische übersetzung tante in türkisch

notizbuch für tanten tante originelle geschenk idee 120 - Oct 24 2022

web oct 31 2021 notizbuch für tanten tante originelle geschenk idee 120 seiten liniertes din a4 blanko papier german edition s design tante notizbücher on

[tante auf türkisch übersetzen deutsch türkisch wörterbuch](#) - Apr 29 2023

web 33 indirekte treffer gefunden für tante 0 002s 7 Übersetzungen für das wort tante vom deutschen ins türkische

notizbuch für tanten tante originelle geschenk idee 120 - Aug 02 2023

web feb 5 2021 notizbuch für tanten tante originelle geschenk idee 120 seiten liniertes blanko papier german edition s design tante notizbücher on

notizbuch für tanten tante originelle geschenk id - May 31 2023

web notizbuch für tanten tante originelle geschenk id 3 3 umfangreiche schreibearbeiten dank seitenzahlen und inhaltsverzeichnis behältst du den Überblick das originelle

notizbuch für tanten tante originelle geschenk idee 120 - Nov 24 2022

web notizbuch für tanten tante originelle geschenk idee 120 seiten kariertes blanko papier german edition s design tante notizbücher amazon sg books

notizbuch für tanten tante originelle geschenk id pdf pdf - Jul 01 2023

web notizbuch für tanten tante originelle geschenk id pdf introduction notizbuch für tanten tante originelle geschenk id pdf pdf kurz und knapp ehrlich und klar

notizbuch für tanten tante originelle geschenk idee 120 - Sep 22 2022

web oct 31 2020 amazon com notizbuch für tanten tante originelle geschenk idee 120 seiten liniertes blanko papier german edition 9798556260801 s design tante

geschenke für deine tante 63 wunderbare ideen 2023 - Jan 27 2023

web hier findest du viele tolle und originelle geschenke für deine tante mache deiner tante eine besondere freude kategorien frauen freundin deine partnerin ehfrau

notizbuch für tanten tante originelle geschenk idee 120 - Sep 03 2023

web notizbuch für tanten tante originelle geschenk idee 120 seiten liniertes blanko papier german edition s design tante notizbücher amazon sg books

notizbuch für tanten tante originelle geschenk idee 120 - Oct 04 2023

web notizbuch für tanten tante originelle geschenk idee 120 seiten liniertes blanko papier s design tante notizbücher amazon sg books

tante türkisch Übersetzung langenscheidt deutsch türkisch - Dec 26 2022

web tante türkisch Übersetzung tante weiblich tante f tante n Übersicht aller Übersetzungen für mehr details die Übersetzung anklicken antippen teyze hala

notizbuch für tanten tante originelle geschenk idee 120 - Aug 22 2022

web dec 13 2021 notizbuch für tanten tante originelle geschenk idee 120 seiten liniertes blanko papier german edition s design tante notizbücher on

tante türkisch Übersetzung bab la deutsch - Mar 29 2023

web Übersetzung für tante im kostenlosen deutsch türkisch wörterbuch und viele weitere türkisch Übersetzungen bab la online dictionaries vocabulary conjugation grammar

practice regents review questions sorted by topic in web and biology - Jan 05 2023

web play review games biology living environment practice regents review questions sorted by topic in web and pdf form below are some practice review questions grouped by topic to help you prepare for your biology living environment regents the answers are bolded to help make the studying easier

biology regents resources new york science teacher - Nov 03 2022

web biology regents resources biology is a natural science concerned with the study of life and living organisms including their structure function growth origin evolution distribution and taxonomy biology is a vast subject containing many subdivisions topics and disciplines among the most important topics are five unifying principles

quia - Mar 27 2022

web ðĪ à á þÿ w y

science regents exams nysed - Feb 06 2023

web aug 12 2022 science regents exams physical setting chemistry physical setting earth science living environment physical setting physics reference tables archived regents examinations last updated august 12 2022

surviving biology regents exam questions for exam practice - Dec 04 2022

web surviving biology regents exam newly revised for 2014 regent prep organized and engaging day by day question sets for preparing for biology regents exam or any biology final exam the living environment these types of organized questions sets have been proven to give students a more focus

living environment regents 2014 answers - Jun 29 2022

web readiness for your regents exam actual regents exams included with answers and scoring scales glossary of must know biology regents vocabulary terms regents exams and answers earth science physical setting revised edition edward j denecke 2021 01 05 barron s regents exams and answers earth science provides essential review

living environment new york high school regents past - Jul 11 2023

web regents august 2014 exam living environment high school view with answers or solve this paper interactively view examination paper with answers regents june 2014 exam living environment high school view with answers or solve this paper interactively view examination paper with answers

june 2014 bio regents answers - Mar 07 2023

web in some activities reverse quiz is available where questions become the answers and answers become the questions june 2014 biology regents answers mitaresa kopicubomaga sexili jejo sixexolaxo jasuguwexucu

for teachers only nysed - Jun 10 2023

web follow the procedures below for scoring student answer papers for the regents examination in living environment

additional information about scoring is provided in the publication information booklet for scoring regents examinations in the sciences do not attempt to correct the student s work by making insertions or changes of any kind

[answers to the june 2014 bio regents gary m rubenstein](#) - Feb 23 2022

web answers to the june 2014 bio regents yeah reviewing a ebook answers to the june 2014 bio regents could accumulate your near contacts listings this is just one of the solutions for you to be successful as understood endowment does not recommend that you have astonishing points

regents exam preparation and review rush henrietta central - Jul 31 2022

web the 2019 biology regents exam is on 1 this packet contains review materials for the major topics we have learned this year 2 go to use a cover up strategy by trying to answer the question before looking at the choices 2 treat each answer choice as a true or false response select the most true answer

[living environment new york regents june 2014 exam syvum](#) - Aug 12 2023

web questions 1 15 questions 16 30 questions 31 43 questions 44 55 questions 56 72 questions 73 85 view examination paper with answers questions answers free preview not all questions are shown total questions 85 available in free preview 85 get to view all questions more information

[living environment new york regents june 2014 exam](#) - Oct 14 2023

web answer 5 5 the increase of certain types of gases in the atmosphere has contributed to the problem of global warming all these gases are 1 biotic factors 2 abiotic factors 3 organic factors 4 endangered factors answer 6 6 several goldfish were kept in a small aquarium for several years

january 2014 biology regents help environment harvard edu - Apr 27 2022

web regents exams and answers living environment revised edition gregory scott hunter 2021 01 05 barron s regents exams and answers living environment provides essential review for students taking the living environment regents including actual exams administered for the course thorough answer explanations and comprehensive review

[biology regents exams answers june 2014](#) - May 29 2022

web barron s regents exams and answers algebra ii provides essential review for students taking the algebra ii common core exam including actual exams administered for the course thorough answer explanations and comprehensive

the university of the state of new york regents high - May 09 2023

web regents high school examination january 27 2014 9 15 a m to 12 15 p m only student name school name print your name and the name of your school on the lines above a separate answer sheet for multiple base your answers to questions 31 through 33 on the information below and on your knowledge of biology

[le regents review questions blank yonkers public schools](#) - Oct 02 2022

Basic Blueprint Reading And Sketching Answer Key

web name date biology block topic 2 graphing regents review questions base your answers to questions 1 through 2 on the information and data table below and on your knowledge of biology directions 1 3 using the information in the data table construct a line graph on the grid below following the directions below

answers to the june 2014 bio regents stephen sondheim - Sep 01 2022

web answers to the june 2014 bio regents getting the books answers to the june 2014 bio regents now is not type of challenging means you could not lonely going gone books hoard or library or borrowing from your links to way in them this is an certainly easy means to specifically acquire lead by on line this online statement answers to

living environment science regents examinations osa p - Sep 13 2023

web aug 31 2023 january 2014 regents examination in living environment 154 kb scoring key and rating guide 73 kb

scoring key excel version 35 kb conversion chart pdf version 59 kb excel version 20 kb important notice notice to teachers

january 2014 regents examination in living environment spanish edition only

the university of the state of new york regents high - Apr 08 2023

web base your answers to questions 31 through 33 on the information below and on your knowledge of biology an experiment was carried out to answer the question does the ph of water affect the growth of radish plants