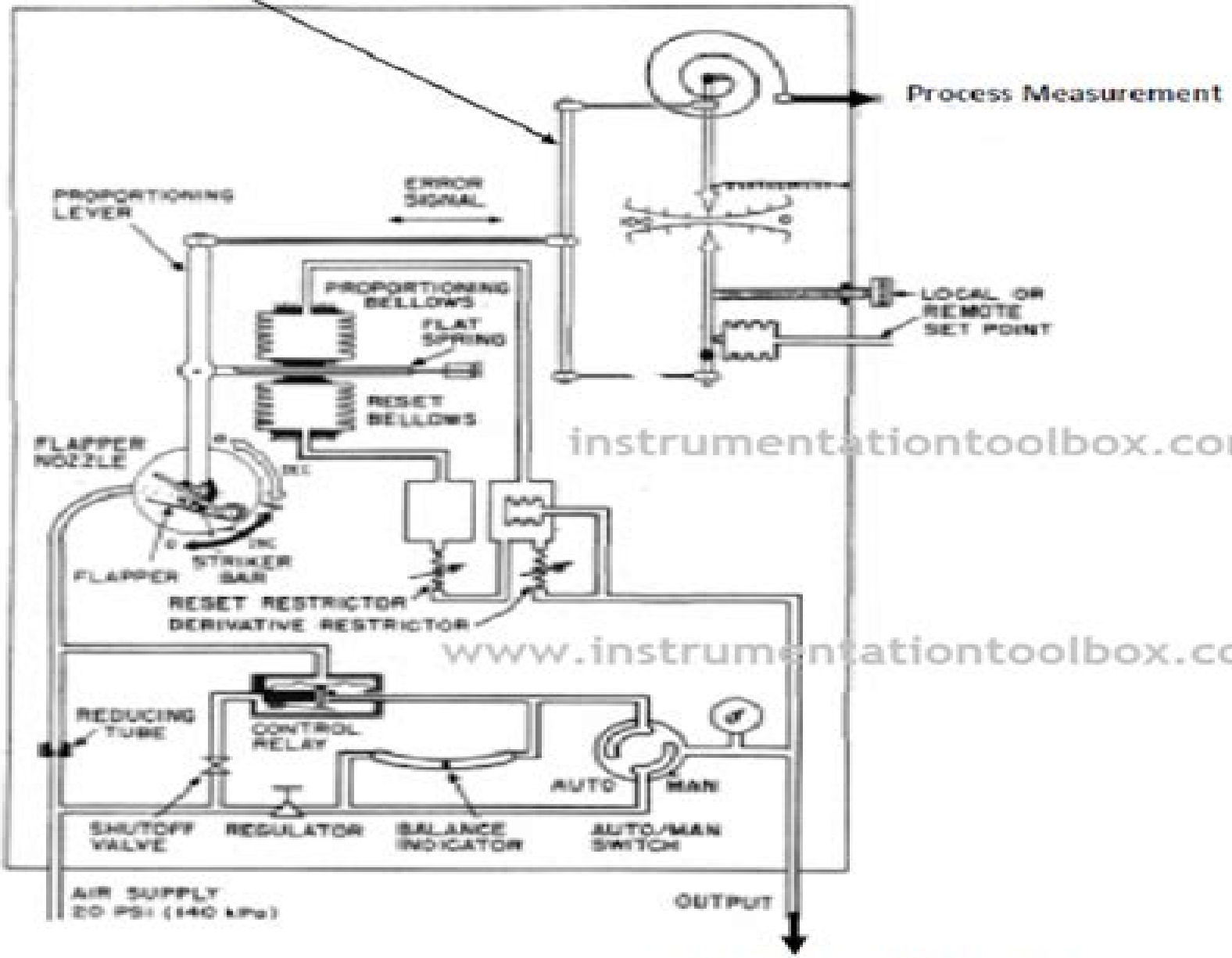


Differential Linkage



Process Measurement

ERROR SIGNAL

LOCAL OR REMOTE SET POINT

instrumentationtoolbox.com

www.instrumentationtoolbox.com

AIR SUPPLY  
20 PSI (140 kPa)

Output to a Control Valve

# Foxboro 43ap Pneumatic Controller Relay Assembly Parts List

**J Dewey**



**Foxboro 43ap Pneumatic Controller Relay Assembly Parts List:**

Yeah, reviewing a book **Foxboro 43ap Pneumatic Controller Relay Assembly Parts List** could go to your close links listings. This is just one of the solutions for you to be successful. As understood, feat does not suggest that you have wonderful points.

Comprehending as competently as harmony even more than new will pay for each success. next-door to, the notice as without difficulty as keenness of this Foxboro 43ap Pneumatic Controller Relay Assembly Parts List can be taken as without difficulty as picked to act.

[https://py.bijouxmedusa.com/data/browse/Download\\_PDFS/egyptian%20code%20and%20practice%20for%20soil%20mechanics.pdf](https://py.bijouxmedusa.com/data/browse/Download_PDFS/egyptian%20code%20and%20practice%20for%20soil%20mechanics.pdf)

## **Table of Contents Foxboro 43ap Pneumatic Controller Relay Assembly Parts List**

1. Understanding the eBook Foxboro 43ap Pneumatic Controller Relay Assembly Parts List
  - The Rise of Digital Reading Foxboro 43ap Pneumatic Controller Relay Assembly Parts List
  - Advantages of eBooks Over Traditional Books
2. Identifying Foxboro 43ap Pneumatic Controller Relay Assembly Parts List
  - Exploring Different Genres
  - Considering Fiction vs. Non-Fiction
  - Determining Your Reading Goals
3. Choosing the Right eBook Platform
  - Popular eBook Platforms
  - Features to Look for in an Foxboro 43ap Pneumatic Controller Relay Assembly Parts List
  - User-Friendly Interface
4. Exploring eBook Recommendations from Foxboro 43ap Pneumatic Controller Relay Assembly Parts List
  - Personalized Recommendations
  - Foxboro 43ap Pneumatic Controller Relay Assembly Parts List User Reviews and Ratings
  - Foxboro 43ap Pneumatic Controller Relay Assembly Parts List and Bestseller Lists

5. Accessing Foxboro 43ap Pneumatic Controller Relay Assembly Parts List Free and Paid eBooks
  - Foxboro 43ap Pneumatic Controller Relay Assembly Parts List Public Domain eBooks
  - Foxboro 43ap Pneumatic Controller Relay Assembly Parts List eBook Subscription Services
  - Foxboro 43ap Pneumatic Controller Relay Assembly Parts List Budget-Friendly Options
6. Navigating Foxboro 43ap Pneumatic Controller Relay Assembly Parts List eBook Formats
  - ePub, PDF, MOBI, and More
  - Foxboro 43ap Pneumatic Controller Relay Assembly Parts List Compatibility with Devices
  - Foxboro 43ap Pneumatic Controller Relay Assembly Parts List Enhanced eBook Features
7. Enhancing Your Reading Experience
  - Adjustable Fonts and Text Sizes of Foxboro 43ap Pneumatic Controller Relay Assembly Parts List
  - Highlighting and Note-Taking Foxboro 43ap Pneumatic Controller Relay Assembly Parts List
  - Interactive Elements Foxboro 43ap Pneumatic Controller Relay Assembly Parts List
8. Staying Engaged with Foxboro 43ap Pneumatic Controller Relay Assembly Parts List
  - Joining Online Reading Communities
  - Participating in Virtual Book Clubs
  - Following Authors and Publishers Foxboro 43ap Pneumatic Controller Relay Assembly Parts List
9. Balancing eBooks and Physical Books Foxboro 43ap Pneumatic Controller Relay Assembly Parts List
  - Benefits of a Digital Library
  - Creating a Diverse Reading Collection Foxboro 43ap Pneumatic Controller Relay Assembly Parts List
10. Overcoming Reading Challenges
  - Dealing with Digital Eye Strain
  - Minimizing Distractions
  - Managing Screen Time
11. Cultivating a Reading Routine Foxboro 43ap Pneumatic Controller Relay Assembly Parts List
  - Setting Reading Goals Foxboro 43ap Pneumatic Controller Relay Assembly Parts List
  - Carving Out Dedicated Reading Time
12. Sourcing Reliable Information of Foxboro 43ap Pneumatic Controller Relay Assembly Parts List
  - Fact-Checking eBook Content of Foxboro 43ap Pneumatic Controller Relay Assembly Parts List
  - Distinguishing Credible Sources
13. Promoting Lifelong Learning

- Utilizing eBooks for Skill Development
  - Exploring Educational eBooks
14. Embracing eBook Trends
- Integration of Multimedia Elements
  - Interactive and Gamified eBooks

### **Foxboro 43ap Pneumatic Controller Relay Assembly Parts List Introduction**

In today's digital age, the availability of Foxboro 43ap Pneumatic Controller Relay Assembly Parts List books and manuals for download has revolutionized the way we access information. Gone are the days of physically flipping through pages and carrying heavy textbooks or manuals. With just a few clicks, we can now access a wealth of knowledge from the comfort of our own homes or on the go. This article will explore the advantages of Foxboro 43ap Pneumatic Controller Relay Assembly Parts List books and manuals for download, along with some popular platforms that offer these resources. One of the significant advantages of Foxboro 43ap Pneumatic Controller Relay Assembly Parts List books and manuals for download is the cost-saving aspect. Traditional books and manuals can be costly, especially if you need to purchase several of them for educational or professional purposes. By accessing Foxboro 43ap Pneumatic Controller Relay Assembly Parts List versions, you eliminate the need to spend money on physical copies. This not only saves you money but also reduces the environmental impact associated with book production and transportation. Furthermore, Foxboro 43ap Pneumatic Controller Relay Assembly Parts List books and manuals for download are incredibly convenient. With just a computer or smartphone and an internet connection, you can access a vast library of resources on any subject imaginable. Whether you're a student looking for textbooks, a professional seeking industry-specific manuals, or someone interested in self-improvement, these digital resources provide an efficient and accessible means of acquiring knowledge. Moreover, PDF books and manuals offer a range of benefits compared to other digital formats. PDF files are designed to retain their formatting regardless of the device used to open them. This ensures that the content appears exactly as intended by the author, with no loss of formatting or missing graphics. Additionally, PDF files can be easily annotated, bookmarked, and searched for specific terms, making them highly practical for studying or referencing. When it comes to accessing Foxboro 43ap Pneumatic Controller Relay Assembly Parts List books and manuals, several platforms offer an extensive collection of resources. One such platform is Project Gutenberg, a nonprofit organization that provides over 60,000 free eBooks. These books are primarily in the public domain, meaning they can be freely distributed and downloaded. Project Gutenberg offers a wide range of classic literature, making it an excellent resource for literature enthusiasts. Another popular platform for Foxboro 43ap Pneumatic Controller Relay Assembly Parts List books and manuals is Open Library. Open Library is an initiative of the Internet Archive, a non-profit

organization dedicated to digitizing cultural artifacts and making them accessible to the public. Open Library hosts millions of books, including both public domain works and contemporary titles. It also allows users to borrow digital copies of certain books for a limited period, similar to a library lending system. Additionally, many universities and educational institutions have their own digital libraries that provide free access to PDF books and manuals. These libraries often offer academic texts, research papers, and technical manuals, making them invaluable resources for students and researchers. Some notable examples include MIT OpenCourseWare, which offers free access to course materials from the Massachusetts Institute of Technology, and the Digital Public Library of America, which provides a vast collection of digitized books and historical documents. In conclusion, Foxboro 43ap Pneumatic Controller Relay Assembly Parts List books and manuals for download have transformed the way we access information. They provide a cost-effective and convenient means of acquiring knowledge, offering the ability to access a vast library of resources at our fingertips. With platforms like Project Gutenberg, Open Library, and various digital libraries offered by educational institutions, we have access to an ever-expanding collection of books and manuals. Whether for educational, professional, or personal purposes, these digital resources serve as valuable tools for continuous learning and self-improvement. So why not take advantage of the vast world of Foxboro 43ap Pneumatic Controller Relay Assembly Parts List books and manuals for download and embark on your journey of knowledge?

### **FAQs About Foxboro 43ap Pneumatic Controller Relay Assembly Parts List Books**

How do I know which eBook platform is the best for me? Finding the best eBook platform depends on your reading preferences and device compatibility. Research different platforms, read user reviews, and explore their features before making a choice. Are free eBooks of good quality? Yes, many reputable platforms offer high-quality free eBooks, including classics and public domain works. However, make sure to verify the source to ensure the eBook credibility. Can I read eBooks without an eReader? Absolutely! Most eBook platforms offer webbased readers or mobile apps that allow you to read eBooks on your computer, tablet, or smartphone. How do I avoid digital eye strain while reading eBooks? To prevent digital eye strain, take regular breaks, adjust the font size and background color, and ensure proper lighting while reading eBooks. What the advantage of interactive eBooks? Interactive eBooks incorporate multimedia elements, quizzes, and activities, enhancing the reader engagement and providing a more immersive learning experience. Foxboro 43ap Pneumatic Controller Relay Assembly Parts List is one of the best book in our library for free trial. We provide copy of Foxboro 43ap Pneumatic Controller Relay Assembly Parts List in digital format, so the resources that you find are reliable. There are also many Ebooks of related with Foxboro 43ap Pneumatic Controller Relay Assembly Parts List. Where to download Foxboro 43ap Pneumatic Controller Relay Assembly Parts List online for free? Are you looking for Foxboro 43ap Pneumatic Controller

## **Foxboro 43ap Pneumatic Controller Relay Assembly Parts List**

---

Relay Assembly Parts List PDF? This is definitely going to save you time and cash in something you should think about. If you trying to find then search around for online. Without a doubt there are numerous these available and many of them have the freedom. However without doubt you receive whatever you purchase. An alternate way to get ideas is always to check another Foxboro 43ap Pneumatic Controller Relay Assembly Parts List. This method for see exactly what may be included and adopt these ideas to your book. This site will almost certainly help you save time and effort, money and stress. If you are looking for free books then you really should consider finding to assist you try this. Several of Foxboro 43ap Pneumatic Controller Relay Assembly Parts List are for sale to free while some are payable. If you arent sure if the books you would like to download works with for usage along with your computer, it is possible to download free trials. The free guides make it easy for someone to free access online library for download books to your device. You can get free download on free trial for lots of books categories. Our library is the biggest of these that have literally hundreds of thousands of different products categories represented. You will also see that there are specific sites catered to different product types or categories, brands or niches related with Foxboro 43ap Pneumatic Controller Relay Assembly Parts List. So depending on what exactly you are searching, you will be able to choose e books to suit your own need. Need to access completely for Campbell Biology Seventh Edition book? Access Ebook without any digging. And by having access to our ebook online or by storing it on your computer, you have convenient answers with Foxboro 43ap Pneumatic Controller Relay Assembly Parts List To get started finding Foxboro 43ap Pneumatic Controller Relay Assembly Parts List, you are right to find our website which has a comprehensive collection of books online. Our library is the biggest of these that have literally hundreds of thousands of different products represented. You will also see that there are specific sites catered to different categories or niches related with Foxboro 43ap Pneumatic Controller Relay Assembly Parts List So depending on what exactly you are searching, you will be able to choose ebook to suit your own need. Thank you for reading Foxboro 43ap Pneumatic Controller Relay Assembly Parts List. Maybe you have knowledge that, people have search numerous times for their favorite readings like this Foxboro 43ap Pneumatic Controller Relay Assembly Parts List, but end up in harmful downloads. Rather than reading a good book with a cup of coffee in the afternoon, instead they juggled with some harmful bugs inside their laptop. Foxboro 43ap Pneumatic Controller Relay Assembly Parts List is available in our book collection an online access to it is set as public so you can download it instantly. Our digital library spans in multiple locations, allowing you to get the most less latency time to download any of our books like this one. Merely said, Foxboro 43ap Pneumatic Controller Relay Assembly Parts List is universally compatible with any devices to read.

**Find Foxboro 43ap Pneumatic Controller Relay Assembly Parts List :**

*egyptian code and practice for soil mechanics*

**electric machines analysis and design applying matlab**

**efl esl general knowledge quiz questions tefl games**

**eclipse rich client platform 2nd edition**

**ecuaciones con valor absoluto ejercicios resueltos**

**edexcel gcse maths non calculator paper june 2013**

easy emg

**e39 bmw 5 series service manual**

economics today the macro view 17th edition

**electronic music production with ableton**

el cerebro sexual

**ed fox ii english german and french edition**

ego enemy ryan holiday

**electrochemical power sources batteries fuel cells and supercapacitors the ecs series of texts and monographs**

electrochemical technologies for energy storage and conversion

### **Foxboro 43ap Pneumatic Controller Relay Assembly Parts List :**

*weird life as wildlife consciousness in d o fagunwa s african* - Apr 17 2023

web d o fagunwa is a foremost and celebrated writer who wrote his major works in his indigenous yoruba language he published five major works ogboju ode ninu igbo irunmale 1938 igbo olodumare 1949 ireke onibudo 1949 irinkerindo ninu igbo elegbeje 1949 and adiitu eledumare 1961

**d o fagunwa open library** - Feb 15 2023

web aug 28 2008 expedition to the mount of thought the third saga being a free translation of the full text of d o fagunwa s yoruba novel irinkerindo ninu igbo elegbeje by d o fagunwa first published in 1994 1 edition in 1 language not in library

**Ìrèké onibùdó d o fágúnwà 9789781262388 amazon com** - Mar 16 2023

web jan 1 2005 fagunwa s novels draw heavily on folktale traditions and idioms including many supernatural elements his heroes are usually yoruba hunters who interact with kings sages and even gods in their quests

**ireke onibudo by d o fagunwa 2023 ai classmonitor** - Mar 04 2022

web ireke onibudo by d o fagunwa downloaded from ai classmonitor com by guest lia zoe dictionary of african filmmakers macmillan education limited a companion to the classical tradition accommodates the pressing need for an up to date introduction and overview of the growing field of reception studies a comprehensive introduction

**a critical introduction and annotated translation of d o fagunwa** - Jul 20 2023

web ireke onibudo translated in this dissertation as the meandered hero a novel of resilience and fortitude is the fourth of fagunwa s five classic novels all of which enthralls readers with narratives of adventures of warriors and have been studied at different levels of academic engagement

**Ìrèké oníbùdó by d o fagunwa open library** - May 18 2023

web may 28 2023 Ìrèké oníbùdó by d o fagunwa 2005 thomas nelson edition in yoruba

*Ìrèké oníbùdó pelu opolopo àlàyé ghent university library* - Jan 14 2023

web details citing for librarians for developers permalink lib ugent be catalog rug01 001282788 title Ìrèké oníbùdó pelu opolopo àlàyé lati owo d o fagunwa isbn 0175112029 author fagunwa d o publisher apapa nigeria nelson 1949 description ix 162 p ill

**about d o fagunwa fagunwa org** - May 06 2022

web about d o fagunwa d o fágúnwà one of the most well known figures of the pioneering generation of african writers wrote mostly in yoruba he was born in Òkè igbó ondo state nigeria to christian convert parents fágúnwà was a product of the missionary inflected social and education system put in place in the main by africans

*daniel o fagunwa wikipedia* - Jun 19 2023

web chief daniel olorunfemi fágúnwà mbe 1903 7 december 1963 popularly known as d o fágúnwà was a nigerian author of yorùbá heritage who pioneered the yorùbá language novel 1 early life daniel oròwólé fágúnwà was born in Òkè igbó ondo state in 1903 to joshua akíntúndé fágúnwà and rachel Òşunyòmí fágúnwà 2

**ireke onibudo 1983 youtube** - Apr 05 2022

web ÌrÈKÈ onÍbÛdÓ 1983 a cinematic adaptation of d o fagunwa s 1949 novel by the same name directed by tunde alabi hundeyin and produced by bayo aderohunmu

*Ìrèké oníbùdó wikipedia* - Oct 23 2023

web Ìrèké oníbùdó english translation the sugarcane of the guardian is the third novel by the yorùbá author d o fágúnwà published in 1949 by thomas nelson 1 2 3 plot one day the eponymous hero arrives at the unnamed narrator s house and asks him to write down the events of his life

**pdf d o fagunwa his life and works pdf academia edu** - Sep 22 2023

web he is olodumare olojo oni oba airi onibuore olubukun olowo gbogboro and awimayehun ref ogboju ode ireke onibudo and adiitu olodumare d o fagunwa s life time intimacy with the holy bible fully reveals

*ireke onibudo ori kinni lati owo d o fagunwa literature yoruba* - Sep 10 2022

web dec 27 2018 7 6k views 4 years ago ireke onibudo was published in 1949 by d o fagunwa ireke onibudo is a yoruba

literature novel that chronicles the life of a man who shares the same name with the book

*Ìrèké oníbùdó* by d o fagunwa *goodreads* - Aug 21 2023

web *Ìrèké oníbùdó* d o fagunwa 4 10 50 ratings8 reviews paperback first published january 1 1949 book details editions about the author d o fagunwa 7 books107 followers daniel olorunfemi fagunwa mbe 1903 1963 popularly known as d o fagunwa was a nigerian author who pioneered the yoruba language novel he was born in oke igbo

*d o fagunwa litcaf com* - Oct 11 2022

web with the publication of *ogboju ode ninu igbo irunmole* in 1938 fagunwa initiated the art of creative writing in yoruba language which quickly generated a tradition within nigeria and beyond the language his other novels include *igbo olodumare* 1949 *ireke onibudo* 1949 *irinkerindo*

**d o fagunwa yoruba literature african folklore novels** - Jul 08 2022

web d o fagunwa yoruba chief whose series of fantastic novels made him one of nigeria s most popular writers he was also a teacher fagunwa s first novel *ogboju ode ninu igbo irunmale* 1938 the forest of a thousand daemons was the first full length novel published in the yoruba language his

**ireke onibudo sunshine bookseller** - Nov 12 2022

web the fagunwa phenomenon in 1938 a school teacher david o fagunwa came out with a book entitled *ogboju ode ninu igbo irunmale* in part because of its novelty in part because of the richness of language in part because it treated familiar themes and because it relied heavily on folklores with which people were familiar *ogboju*

**ireke onibudo by d o fagunwa get a better life tv store** - Jun 07 2022

web *ireke onibudo* is a yoruba story book by d o fagunwa it was first published in the year 1961 this yoruba story book is for both adults and kids in africa who want to learn yoruba language or who understand how to read yoruba language

**all for d o fagunwa the nation newspaper** - Aug 09 2022

web aug 6 2017 the canonicity of those five novels *ogboju ode igbo olodumare ireke onibudo irinkerindo* and *adiitu olodumare* written by d o fagunwa does not derive from their depth of constructing

**first look at ireke onibudo a book written by d o fagunwa** - Dec 13 2022

web jan 23 2021 *ireke onibudo* was the fourth book written by d o fagunwa a pioneering author from the south west of nigeria there is a pattern to most of fagunwa s books there is a narrator who had a very fascinating story to tell about his adventures in life who turned up unannounced and instructs the author to write his biography

*ente kadha novel madhavikutty ams istanbul edu tr* - Apr 01 2022

web *ente kadha madhavikutty pdf free download pdf book ente kadha by madhavikutty pdf pdf blower ente kadha wikipedia dc books online bookstore madhavikutty author of [] [] [] [] [] [] ente kadha novel madhavikutty downloaded from ams*

istanbul.edu.tr by guest reilly jonathan ente

**ente katha wikipedia** - Jul 16 2023

web isbn 81 7130 059 6 ente kadha my story is an autobiography written by kamala surayya madhavikutty in the year 1973 she was motivated to write this as she became ill and thought will not survive

**ente katha madhavikkutty amazon in books** - Dec 09 2022

web isbn 10 8126464135 isbn 13 978 8126464135 reading age 5 15 years item weight 220 g dimensions 23 4 x 15 6 x 1 9 cm country of origin india generic name books best sellers rank 334 772 in books see top 100 in books 33 653 in history books

*ente katha madhavikkutty olive publications* - May 02 2022

web ente katha madhavikkutty book ente katha author madhavikkutty category autobiography biography isbn 9788126464135 binding normal publishing date 18 10 2019 publisher dc books multimedia not available edition 69 number of pages 200 language malayalam

*ente kadha book review madhavikutti malayalam books* - Jul 04 2022

web jun 24 2021 ente kadha book review madhavikutti malayalam books nanma kasaragod nanma kasaragod 252

subscribers subscribe 25 share 476 views 2

**kamala surayya wikipedia** - Jan 10 2023

web kamala das born kamala 31 march 1934 31 may 2009 popularly known by her one time pen name madhavikutty was an indian poet in english as well as an author in malayalam from kerala india her popularity in kerala is based chiefly on her short stories and autobiography while her oeuvre in english written under the name kamala das is

ente kadha madhavikutty a book review - Aug 05 2022

web apr 16 2020 an autobiography by madhavikutty entekadha madhavikutty mystory kamalasureyya

kamala suraiyya das author of ente katha - Mar 12 2023

web may 31 2009 kamala suraiyya born kamala 31 march 1934 31 may 2009 also known by her one time pen name madhavikutty and kamala das was an indian english poet and littérateur and at the same time a leading malayalam author from kerala india

*ente kadha madhavikkutty kamala suraiyya das* - Sep 18 2023

web jan 23 2016 ente katha kamala suraiyya das madhavikutty collection booksbylanguage malayalam

booksbylanguage language malayalam kamala suraiya better known as kamala das is a well known female indian writer writing in english as well as malayalam her native language

**archive.org** - Apr 13 2023

web ente kadha madhavikkutty is the autobiography of kamala suraiyya das a renowned indian poet and writer who wrote in

english and malayalam in this candid and captivating book she narrates her life story her struggles her passions and her controversies read ente kadha madhavikkutty to discover the voice of a woman who defied conventions

[my story das book wikipedia](#) - May 14 2023

web my story is an autobiographical book written by indian author and poet kamala das also known as kamala surayya or madhavikkutty the book was originally published in malayalam titled ente katha the book evoked violent reactions of admiration and criticism among the readers and critics

[download ente kadha madhavikkutty pdf documents and e](#) - Sep 06 2022

web download ente kadha madhavikkutty pdf type pdf date december 2019 size 4mb this document was uploaded by user and they confirmed that they have the permission to share it if you are author or own the copyright of this book please report to us by using this dmca report form report dmca download as pdf download as docx

[madhavikkutty books goodreads](#) - Oct 07 2022

web avg rating 4.01 213 ratings published 2002 want to read rate this book 1 of 5 stars 2 of 5 stars 3 of 5 stars 4 of 5 stars 5 of 5 stars books shelved as madhavikkutty [ente katha by kamala suraiyya das](#) [ente katha by kamala suraiyya das](#)

[ente katha madhavikkutti youtube](#) - Jan 30 2022

web autobiography of the famous indian writer kamala surayya my story or ente katha is the book today we are discussing about book review enjoy reading ma

[ente kadha 2 pdf google drive](#) - Nov 08 2022

web ente kadha 2 pdf google drive sign in

[ente kadha madhavikkutty pdf pdf scribd](#) - Jun 15 2023

web ente kadha madhavikkutty pdf free download as pdf file pdf or view presentation slides online

[resurrecting madhavikkutty the hindu](#) - Feb 28 2022

web aug 20 2015 it was during the onam of 1971 that ente kadha the autobiography of madhavikkutty alias kamala das began to be serialised in a magazine in malayalam she threw to the winds all codes and

**ente katha best selling autobiography in malayalam book** - Jun 03 2022

web ente katha is one of the best selling malayalam books written by the famous malayalam writer madhavikkutty buy your copy now free shipping

**books by madhavikkutty author of balyakalasmarnakal** - Aug 17 2023

web madhavikkutty has 16 books on goodreads with 94862 ratings madhavikkutty s most popular book is [ente katha](#)

[madhavikkutty author of balyakalasmarnakal](#) - Feb 11 2023

## Foxboro 43ap Pneumatic Controller Relay Assembly Parts List

---

web mar 31 2009 kamala madhavikutty malayalam [കാമല മദ്യവകുട്ടി](#) was a major indian english poet and literateur and at the same time a leading malayalam author from kerala state south india

[magruder s american government pearson plc](#) - Sep 06 2023

web topic 1 foundations of government and citizenship united states capitol building in washington d c essential question what should governments do end of page 2

**prentice hall magruder s american government pearson** - Jan 30 2023

web prentice hall magruder s american government 2005 correlated to utah social studies standards united states government citizenship and

**constitution study guide scio school district page** - Dec 29 2022

web constitution study guide scio school district page

*chapter outline prentice hall american government thomas r* - Jun 22 2022

web chapter outline prentice hall american government what you in the same way as to read the federalist papers alexander hamilton 2018 08 20 classic books library presents this brand new edition of the federalist papers a collection of separate essays and articles compiled in 1788 by alexander hamilton following the united states

**chapter 10 ppt slideshare** - Jun 03 2023

web chapter 10 apr 7 2010 0 likes 6 702 views download now download to read offline o orange high school follow orange high school chapter 10 download as a pdf or view online for free

*chapter outline prentice hall american government pdf* - Feb 16 2022

web may 7 2023 chapter outline prentice hall american government 1 7 downloaded from uniport edu ng on may 7 2023 by guest chapter outline prentice hall american government as recognized adventure as competently as experience practically lesson amusement as with ease as accord can be gotten by just checking out a books chapter

*chapter outline prentice hall american government pdf spc* - Oct 27 2022

web 2 chapter outline prentice hall american government 2021 12 21 overview that traces the ongoing evolution of theory and research in the field the book examines how african american families fare on numerous

**prentice hall america pathways to the present chapter 11 quizlet** - Apr 01 2023

web government in america elections and updates edition 16th edition isbn 9780133905045 george c edwards iii martin p wattenberg robert l lineberry 269 solutions

**magruder's american government forest hills high school** - Aug 05 2023

web oct 24 2014 an outline of the constuon the constuon sets out the basic principles upon which government in the united states was built the constuon is a fairly brief document the constuon is organized into eight secons the preamble and seven

arcles

**chapteroutlineprenticehallamericangovernment** - May 22 2022

web outline of american government lexington books includes chapter outlines study notes a glossary and practice tests designed to reinforce information in the text and help students develop a greater understanding of american government and politics pathways of power prentice hall chapter outlines study notes a

*chapter outline prentice hall american government pdf* - Apr 20 2022

web oct 6 2023 chapter outline prentice hall american government as recognized adventure as skillfully as experience not quite lesson amusement as skillfully as union can be gotten by just checking out a ebook chapter outline prentice hall american government also it is not fictions to scientific research in any way in the middle of

**prentice hall america history of our nation online textbook help** - Nov 27 2022

web nov 5 2023 29 chapters in prentice hall america history of our nation online textbook help lesson 2 the american economy government policy in 2008 the american economy government policy in 2008

**prentice hall american government chapter 5 2022** - May 02 2023

web aspects of american government outline of american government pearson prentice hall explore american politics through the constitution government by the people 2012 election edition continues a tradition of excellence by offering the most classroom tested introduction to the foundational principles processes and institutions of american

prentice hall american government chapter 3 vocabulary - Feb 28 2023

web american government chapter 2 prentice hall 9 terms aassel verified questions us government for each term write a sentence that explains its significance or meaning ideal liberty equality self government free enterprise verified answer us government

*free pdf download chapter outline prentice hall american government* - Mar 20 2022

web sep 30 2023 chapter outline prentice hall american government pdf pdf eventually you will very discover a other experience and finishing by spending more cash yet chapter outline prentice hall american government pdf pdf below infection control and management of hazardous materials for the dental team chris h miller ba ms

**pearson prentice hall magruder s american government** - Jul 04 2023

web v 1 student text v 2 teacher edition v 3 unit 1 foundations of american government v 4 unit 2 political behavior government by the people v 5 unit 3 legislative branch v 6 unit 4 executive branch v 7 unit 5 judicial branch v 8 unit 6 comparative political and economic systems v 9 unit 7

*american government 11th edition coursenotes* - Oct 07 2023

web below are the us government and politics chapter outlines for the american government 11th edition by wilson textbook

additional information hardcover 464 pages publisher prentice hall 11 edition april 14 2006 language english isbn 10 0132211084 isbn 13 978 0132211086

chapter outline prentice hall american government - Jul 24 2022

web american government a captivating perform of fictional beauty that pulses with raw thoughts lies an unforgettable trip waiting to be embarked upon written by way of a virtuoso wordsmith that magical

**chapter outline prentice hall american government download** - Sep 25 2022

web chapter outline prentice hall american government downloaded from test grandnational org uk by guest blaze chris american nation the american nationgovernment by the people practice tests for courses in american government a result of time tested scholarship government by the peoplegives a hopeful but realistic

chapter outline prentice hall american government download - Aug 25 2022

web chapter outline prentice hall american government 1 chapter outline prentice hall american government 2 chapter outline prentice hall american government 2023 01 05 principles for success by ray dalio in 30 minutes how to read a textbook study tips improve reading skills history of the