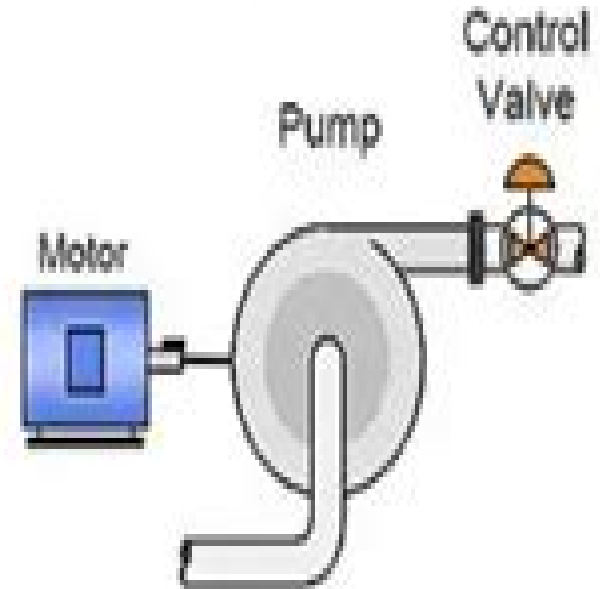
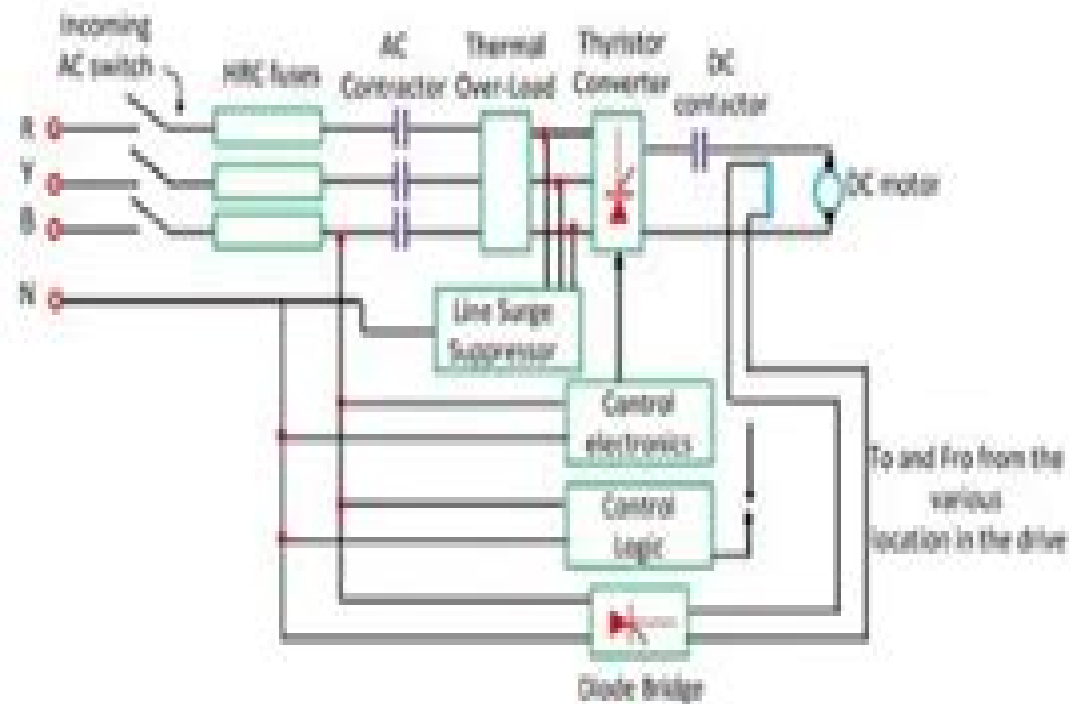
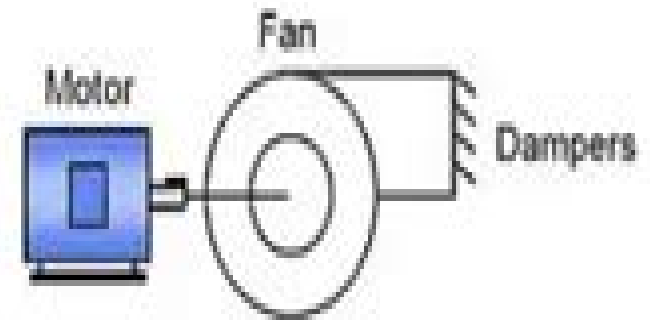


How Electrical Drives Are Controlled



Electrical 4 U

Basic Electrical Drives And Control

**Juha Pyrhonen, Valeria Hrabovcova, R.
Scott Semken**



Basic Electrical Drives And Control:

Electrical Machine Drives Control Juha Pyrhonen,Valeria Hrabovcova,R. Scott Semken,2016-10-03 This comprehensive text examines existing and emerging electrical drive technologies The authors clearly define the most basic electrical drive concepts and go on to explain the most important details while maintaining a solid connection to the theory and design of the associated electrical machines Also including links to a number of industrial applications the authors take their investigation of electrical drives beyond theory to examine a number of practical aspects of electrical drive control and application Key features Provides a comprehensive summary of all aspects of controlled speed electrical drive technology including control and operation Handling of electrical drives is solidly linked to the theory and design of the associated electrical machines Added insight into problems and functions are illustrated with clearly understandable figures Offers an understanding of the main phenomena associated with electrical machine drives Considers the problem of bearing currents and voltage stresses of an electrical drive Includes up to date theory and design guidelines taking into account the most recent advances This book s rigorous coverage of theoretical principles and techniques makes for an excellent introduction to controlled speed electrical drive technologies for Electrical Engineering MSc or PhD students studying electrical drives It also serves as an excellent reference for practicing electrical engineers looking to carry out design analyses and development of controlled speed electrical drives

Electrical Machine Drives Control Juha Pyrhonen,Valeria Hrabovcova,R. Scott Semken,2016-11-14 This comprehensive text examines existing and emerging electrical drive technologies The authors clearly define the most basic electrical drive concepts and go on to explain the most important details while maintaining a solid connection to the theory and design of the associated electrical machines Also including links to a number of industrial applications the authors take their investigation of electrical drives beyond theory to examine a number of practical aspects of electrical drive control and application Key features Provides a comprehensive summary of all aspects of controlled speed electrical drive technology including control and operation Handling of electrical drives is solidly linked to the theory and design of the associated electrical machines Added insight into problems and functions are illustrated with clearly understandable figures Offers an understanding of the main phenomena associated with electrical machine drives Considers the problem of bearing currents and voltage stresses of an electrical drive Includes up to date theory and design guidelines taking into account the most recent advances This book s rigorous coverage of theoretical principles and techniques makes for an excellent introduction to controlled speed electrical drive technologies for Electrical Engineering MSc or PhD students studying electrical drives It also serves as an excellent reference for practicing electrical engineers looking to carry out design analyses and development of controlled speed electrical drives

Process Control Béla G. Lipták,2013-10-02 Instrument Engineers Handbook Third Edition Process Control provides information pertinent to control hardware including transmitters controllers control valves displays and computer systems This book presents the control theory and shows how

the unit processes of distillation and chemical reaction should be controlled Organized into eight chapters this edition begins with an overview of the method needed for the state of the art practice of process control This text then examines the relative merits of digital and analog displays and computers Other chapters consider the basic industrial annunciators and other alarm systems which consist of multiple individual alarm points that are connected to a trouble contact a logic module and a visual indicator This book discusses as well the data loggers available for process control applications The final chapter deals with the various pump control systems the features and designs of variable speed drives and the metering pumps This book is a valuable resource for engineers

Applied Control of Electrical Drives Duco W. J. Pulle, Pete Darnell, André Veltman, 2015-09-17 Provides an overall understanding of all aspects of AC electrical drives from the motor and converter to the implemented control algorithm with minimum mathematics needed Demonstrates how to implement and debug electrical drive systems using a set of dedicated hardware platforms motor setup and software tools in VisSim™ and PLECS™ No expert programming skills required allowing the reader to concentrate on drive development Enables the reader to undertake real time control of a safe low voltage and low cost experimental drive This book puts the fundamental and advanced concepts behind electric drives into practice Avoiding involved mathematics whenever practical this book shows the reader how to implement a range of modern day electrical drive concepts without requiring in depth programming skills It allows the user to build and run a series of AC drive concepts ranging from very basic drives to sophisticated sensorless drives Hence the book is the only modern resource available that bridges the gap between simulation and the actual experimental environment Engineers who need to implement an electrical drive or transition from sensed to sensorless drives as well as students who need to understand the practical aspects of working with electrical drives will greatly benefit from this unique reference

Control of Electrical Drives Werner Leonhard, 2012-12-06 Electrical drives play an important part as electromechanical energy converters in transportation materials handling and most production processes This book presents a unified treatment of complete electrical drive systems including the mechanical parts electrical machines and power converters and control Since it was first published in 1985 the book has found its way onto many desks in industry and universities all over the world For the second edition the text has been thoroughly revised and updated with the aim of offering the reader a general view of the field of controlled electrical drives which are maintaining and extending their importance as the most flexible source of controlled mechanical energy

Sliding Mode Control for Synchronous Electric Drives Sergey E. Ryvkin, Eduardo Palomar Lever, 2011-11-21 This volume presents the theory of control systems with sliding mode applied to electrical motors and power converters It demonstrates the methodology of control design and the original algorithms of control and observation Practically all semiconductor devices are used in power converters that feed electrical motors as power switches A switch

Instrument Engineers' Handbook, (Volume 2) Third Edition Bela G. Liptak, 1995-05-15 This third edition of the Instrument Engineers Handbook most complete and respected work on process

instrumentation and control helps you *Proceedings of the American Institute of Electrical Engineers* ,1925 Vols for 1887
1946 include the preprint pages of the institute s Transactions Transactions of the American Institute of Electrical
Engineers American Institute of Electrical Engineers,1926 List of members in v 7 15 17 19 20 **Journal of the American
Institute of Electrical Engineers** American Institute of Electrical Engineers,1925 Includes preprints of Transactions of the
American Institute of Electrical Engineers ISSN 0096 3860 *Practical Robot Design* Jagannathan Kanniah,M. Fikret
Ercan,Carlos A. Acosta Calderon,2013-10-17 Designed for beginners undergraduate students and robotics enthusiasts
Practical Robot Design Game Playing Robots is a comprehensive guide to the theory design and construction of game playing
robots Drawing on years of robot building and teaching experience the authors demonstrate the key steps of building a robot
from beginning to end wi Electrical Engineering ,1926 Vols for 1931 46 include the preprints of the Transactions of the
American Institute of Electrical Engineers ISSN 0096 3860 *Machinery* Lester Gray French,1927 **Machinery** Fred
Herbert Colvin,Lester Gray French,1926 **Fifth European Conference on Power Electronics and Applications** ,1993
Handbook of Automation, Computation, and Control: Systems and components Eugene Munter Grabbe,1961
Instrument Practice for Process Control and Automation ,1970-07 *Fundamentals of Electrical Drives* Gopal K.
Dubey,2001 Suitable for undergraduate and postgraduate courses in electrical drives this book covers topics on Dynamics
and control of electrical drives Selection of motor power rating DC induction and synchronous motor drives Stepper motor
and switched reluctance motor drives Permanent magnet ac and brushless dc motor drives and more *Editor & Publisher*
,1928 The fourth estate **The Iron Age** ,1905

Delve into the emotional tapestry woven by in **Basic Electrical Drives And Control** . This ebook, available for download in a PDF format (PDF Size: *), is more than just words on a page; itis a journey of connection and profound emotion. Immerse yourself in narratives that tug at your heartstrings. Download now to experience the pulse of each page and let your emotions run wild.

https://py.bijouxmedusa.com/public/uploaded-files/Download_PDFS/sojourner_truth_a_life_a_symbol.pdf

Table of Contents Basic Electrical Drives And Control

1. Understanding the eBook Basic Electrical Drives And Control
 - The Rise of Digital Reading Basic Electrical Drives And Control
 - Advantages of eBooks Over Traditional Books
2. Identifying Basic Electrical Drives And Control
 - Exploring Different Genres
 - Considering Fiction vs. Non-Fiction
 - Determining Your Reading Goals
3. Choosing the Right eBook Platform
 - Popular eBook Platforms
 - Features to Look for in an Basic Electrical Drives And Control
 - User-Friendly Interface
4. Exploring eBook Recommendations from Basic Electrical Drives And Control
 - Personalized Recommendations
 - Basic Electrical Drives And Control User Reviews and Ratings
 - Basic Electrical Drives And Control and Bestseller Lists
5. Accessing Basic Electrical Drives And Control Free and Paid eBooks
 - Basic Electrical Drives And Control Public Domain eBooks
 - Basic Electrical Drives And Control eBook Subscription Services
 - Basic Electrical Drives And Control Budget-Friendly Options

6. Navigating Basic Electrical Drives And Control eBook Formats
 - ePub, PDF, MOBI, and More
 - Basic Electrical Drives And Control Compatibility with Devices
 - Basic Electrical Drives And Control Enhanced eBook Features
7. Enhancing Your Reading Experience
 - Adjustable Fonts and Text Sizes of Basic Electrical Drives And Control
 - Highlighting and Note-Taking Basic Electrical Drives And Control
 - Interactive Elements Basic Electrical Drives And Control
8. Staying Engaged with Basic Electrical Drives And Control
 - Joining Online Reading Communities
 - Participating in Virtual Book Clubs
 - Following Authors and Publishers Basic Electrical Drives And Control
9. Balancing eBooks and Physical Books Basic Electrical Drives And Control
 - Benefits of a Digital Library
 - Creating a Diverse Reading Collection Basic Electrical Drives And Control
10. Overcoming Reading Challenges
 - Dealing with Digital Eye Strain
 - Minimizing Distractions
 - Managing Screen Time
11. Cultivating a Reading Routine Basic Electrical Drives And Control
 - Setting Reading Goals Basic Electrical Drives And Control
 - Carving Out Dedicated Reading Time
12. Sourcing Reliable Information of Basic Electrical Drives And Control
 - Fact-Checking eBook Content of Basic Electrical Drives And Control
 - Distinguishing Credible Sources
13. Promoting Lifelong Learning
 - Utilizing eBooks for Skill Development
 - Exploring Educational eBooks
14. Embracing eBook Trends
 - Integration of Multimedia Elements

- Interactive and Gamified eBooks

Basic Electrical Drives And Control Introduction

In this digital age, the convenience of accessing information at our fingertips has become a necessity. Whether its research papers, eBooks, or user manuals, PDF files have become the preferred format for sharing and reading documents. However, the cost associated with purchasing PDF files can sometimes be a barrier for many individuals and organizations. Thankfully, there are numerous websites and platforms that allow users to download free PDF files legally. In this article, we will explore some of the best platforms to download free PDFs. One of the most popular platforms to download free PDF files is Project Gutenberg. This online library offers over 60,000 free eBooks that are in the public domain. From classic literature to historical documents, Project Gutenberg provides a wide range of PDF files that can be downloaded and enjoyed on various devices. The website is user-friendly and allows users to search for specific titles or browse through different categories. Another reliable platform for downloading Basic Electrical Drives And Control free PDF files is Open Library. With its vast collection of over 1 million eBooks, Open Library has something for every reader. The website offers a seamless experience by providing options to borrow or download PDF files. Users simply need to create a free account to access this treasure trove of knowledge. Open Library also allows users to contribute by uploading and sharing their own PDF files, making it a collaborative platform for book enthusiasts. For those interested in academic resources, there are websites dedicated to providing free PDFs of research papers and scientific articles. One such website is Academia.edu, which allows researchers and scholars to share their work with a global audience. Users can download PDF files of research papers, theses, and dissertations covering a wide range of subjects. Academia.edu also provides a platform for discussions and networking within the academic community. When it comes to downloading Basic Electrical Drives And Control free PDF files of magazines, brochures, and catalogs, Issuu is a popular choice. This digital publishing platform hosts a vast collection of publications from around the world. Users can search for specific titles or explore various categories and genres. Issuu offers a seamless reading experience with its user-friendly interface and allows users to download PDF files for offline reading. Apart from dedicated platforms, search engines also play a crucial role in finding free PDF files. Google, for instance, has an advanced search feature that allows users to filter results by file type. By specifying the file type as "PDF," users can find websites that offer free PDF downloads on a specific topic. While downloading Basic Electrical Drives And Control free PDF files is convenient, its important to note that copyright laws must be respected. Always ensure that the PDF files you download are legally available for free. Many authors and publishers voluntarily provide free PDF versions of their work, but its essential to be cautious and verify the authenticity of the source before downloading Basic Electrical Drives And Control. In conclusion, the internet offers numerous platforms and websites that allow users to download free PDF files legally. Whether its classic

literature, research papers, or magazines, there is something for everyone. The platforms mentioned in this article, such as Project Gutenberg, Open Library, Academia.edu, and Issuu, provide access to a vast collection of PDF files. However, users should always be cautious and verify the legality of the source before downloading Basic Electrical Drives And Control any PDF files. With these platforms, the world of PDF downloads is just a click away.

FAQs About Basic Electrical Drives And Control Books

1. Where can I buy Basic Electrical Drives And Control books? Bookstores: Physical bookstores like Barnes & Noble, Waterstones, and independent local stores. Online Retailers: Amazon, Book Depository, and various online bookstores offer a wide range of books in physical and digital formats.
2. What are the different book formats available? Hardcover: Sturdy and durable, usually more expensive. Paperback: Cheaper, lighter, and more portable than hardcovers. E-books: Digital books available for e-readers like Kindle or software like Apple Books, Kindle, and Google Play Books.
3. How do I choose a Basic Electrical Drives And Control book to read? Genres: Consider the genre you enjoy (fiction, non-fiction, mystery, sci-fi, etc.). Recommendations: Ask friends, join book clubs, or explore online reviews and recommendations. Author: If you like a particular author, you might enjoy more of their work.
4. How do I take care of Basic Electrical Drives And Control books? Storage: Keep them away from direct sunlight and in a dry environment. Handling: Avoid folding pages, use bookmarks, and handle them with clean hands. Cleaning: Gently dust the covers and pages occasionally.
5. Can I borrow books without buying them? Public Libraries: Local libraries offer a wide range of books for borrowing. Book Swaps: Community book exchanges or online platforms where people exchange books.
6. How can I track my reading progress or manage my book collection? Book Tracking Apps: Goodreads, LibraryThing, and Book Catalogue are popular apps for tracking your reading progress and managing book collections. Spreadsheets: You can create your own spreadsheet to track books read, ratings, and other details.
7. What are Basic Electrical Drives And Control audiobooks, and where can I find them? Audiobooks: Audio recordings of books, perfect for listening while commuting or multitasking. Platforms: Audible, LibriVox, and Google Play Books offer a wide selection of audiobooks.
8. How do I support authors or the book industry? Buy Books: Purchase books from authors or independent bookstores. Reviews: Leave reviews on platforms like Goodreads or Amazon. Promotion: Share your favorite books on social media

- or recommend them to friends.
9. Are there book clubs or reading communities I can join? Local Clubs: Check for local book clubs in libraries or community centers. Online Communities: Platforms like Goodreads have virtual book clubs and discussion groups.
 10. Can I read Basic Electrical Drives And Control books for free? Public Domain Books: Many classic books are available for free as they're in the public domain. Free E-books: Some websites offer free e-books legally, like Project Gutenberg or Open Library.

Find Basic Electrical Drives And Control :

sojourner truth a life a symbol

situs baca online gratis novel erotis terjemahan

~~spelling bee list with sentences~~

speaking and language defence of poetry by paul goodman

~~spillover animal infections and the next human pandemic david quammen~~

~~solutions anderson sweeney williams~~

~~solution probability and statistics walpole 9th edition~~

~~sociology by horton and hunt 5 edition~~

~~sql expressions sap~~

~~solucionario campo y ondas alonso finn~~

space encyclopedia first reference

~~sleep smarter 21 proven tips to your way a better body health and bigger success kindle edition shawn stevenson~~

~~solution of gorakh prasad integral calculus~~

~~solutions computer vision a modern approach 2nd~~

~~sponsorship agreement letter sample and template~~

Basic Electrical Drives And Control :

Correctional Officer Test This practice test is divided into three (3) areas: General Knowledge; Basic Skills; and Career-Specific Aptitude on professional standards, facility operations ... Louisiana Correctional Officer Test | Online 2023 ... Study and pass the 2023 Louisiana Correctional Officer Test! Practice questions, flashcards, full-length exams, study guides, and more! Louisiana Correctional Officer Test-2023 Online Test Prep ... Pass the 2021 Test. We offer the best study program.

Police Test Guide was created out of to fill the need for an online police test prep website that ... Louisiana POST Study Guide Flashcards Study with Quizlet and memorize flashcards containing terms like Miranda vs. Arizona, Mapp v. Ohio, Terry vs. Ohio and more. POLICE OFFICER To pass the examination and be considered for employment, you must score 75 or above. HOW TO USE THIS BOOKLET. You may practice your test taking skills by ... Law Enforcement and Protective Services (LEAPS) Exam Study each sample question carefully so that you will be familiar with questions ... Louisiana State Civil Service. LEAPS Sample Test Questions. Page 9 of 12. B ... Assessment ACT State Testing Website · Assessment Guidance Library · DRC INSIGHT (will open in new tab) · ELPT Portal · LEAP 360 · Louisiana Data Review · Louisiana School ... Correctional Officer Exam - Free Practice and Study Guide On this page you will find a comprehensive and reliable study guide with sample questions and detailed explanations to practice for your upcoming exam. We ... Correction Officer Study Guide and Practice Test Questions ... Taking the Correctional Officer test? Want to get a good score? Written by Test Prep Books, this comprehensive study guide includes: Quick Overview. Test-Taking ... Louisiana Order Forms ... guides and practice tests are available for purchase at <https://www.ApplyToServe.com/Study/for> police officer, firefighter or corrections officer positions. Adaptation: Studying Film and Literature Adaptation describes the interwoven histories of literature and film, presents key analytical approaches to adaptation, and provides an in-depth overview of ... Adaptation: Studying Film and Literature by Desmond, John Adaptation describes the interwoven histories of literature and film, presents key analytical approaches to adaptation, and provides an in-depth overview of ... Adaptation : studying film and literature "Adaptation: Studying Film and Literature explores the relationship between literature and film, describes a useful method for studying adaptation, and provides ... Adaptation Studying Film And Literature Full PDF Jan 20, 2022 — Adaptation Studying Film And Literature. 2022-01-20 approach to the study of film adaptations of literature for children and young people ... Adaptation : studying film and literature "Adaptation: Studying Film and Literature explores the relationship between literature and film, describes a useful method for studying adaptation, ... Adaptation: Studying Film and Literature Adaptation describes the interwoven histories of literature and film, presents key analytical approaches to adaptation, and provides an in-depth overview of ... Adaptation: Studying Film and... book by Peter Hawkes This concise and readable new text for courses in Film Adaptation or Film and Literature introduces students to the art of adapting works of literature for ... Adaptation: Studying Film and Literature by John Desmond Adaptation describes the interwoven histories of literature and film, presents key analytical approaches to adaptation, and provides an in-depth overview of ... Adaptation: Studying Film and Literature This concise and readable new text for courses in Film Adaptation or Film and Literature introduces students to the art of adapting works of literature for ... Adaptation Studying Film & Literature: John Desmond Mar 4, 2005 — Adaptation describes the interwoven histories of literature and film, presents key analytical approaches to adaptation, and provides an in-depth ... Sports in Society: Issues and Controversies Sports in Society: Issues and Controversies. 10th Edition. ISBN-13:

978-0073376547, ISBN-10: 007337654X. 4.3 4.3 out of 5 stars 83 Reviews. 3.4 on Goodreads. (... Sports in Society: Issues and Controversies - Books Publisher, Mcgraw Hill Higher Education; 10th Revised edition (January 1, 2008) ; Language, English ; ISBN-10, 9780071285285 ; ISBN-13, 978-0071285285. Coakley, J. (2009). Sports in society Issues and ... Coakley, J. (2009). Sports in society Issues and controversies (10th ed.). New York, NY McGraw-Hill. Sports in Society: Issues and Controversies - Jay J. Coakley Bibliographic information ; Edition, 10, illustrated ; Publisher, McGraw-Hill, 2009 ; ISBN, 0071285288, 9780071285285 ; Length, 688 pages. Sports in Society: Issues and Controversies The Thirteenth Edition provides a thorough introduction to the sociology of sport by raising critical questions to explore the relationships between sports, ... Sports in Society: Issues and Controversies (10th Edition) Aug 29, 2023 — Sports in Society: Issues and Controversies (10th Edition). by Jay Coakley. Paperback, 704 Pages, Published 2008. Sports in Society: Issues and Controversies Title: Sports in Society: Issues and Controversies. Author/Edition: Coakley, 10th ed. Required for: Online. Price: \$29.50 - \$138.75. New/Used: Choose New/Used ... Sports in Society: Issues and Controversies Buy Sports in Society: Issues and Controversies 10th edition (9780073376547) by Jay Coakley for up to 90% off at Textbooks.com. Sports in Society Issues and Controversies - Chegg COUPON: RENT Sports in Society Issues and Controversies 10th edition (9780073376547) and save up to 80% on textbook rentals and 90% on used textbooks. Sports in Society:: Issues &_Controversies 10TH EDITION Sports in Society:: Issues &_Controversies 10TH EDITION - Jay Coakley - Pape... ; Item Number. 155733832600 ; Release Year. 2009 ; Book Title. Sports in Society:: ...