

# Activity - Practice with Complex Circuits

$$V = IR$$

## Part 1

In the circuits below, the voltage of the battery is 12 V and each resistor is 2 Ω. For each circuit:

- Describe the circuit and any assumptions you make. Which resistors are in series? Which are in parallel?
- Calculate the current through each resistor and the voltage across each resistor.

$$\text{Total: } 8 + 2 = 10$$

$$\text{Series} = 2 + 2 + 2 + 2 = 8 \Omega$$

$$\text{Parallel} = \frac{1}{2} = 2 \Omega$$

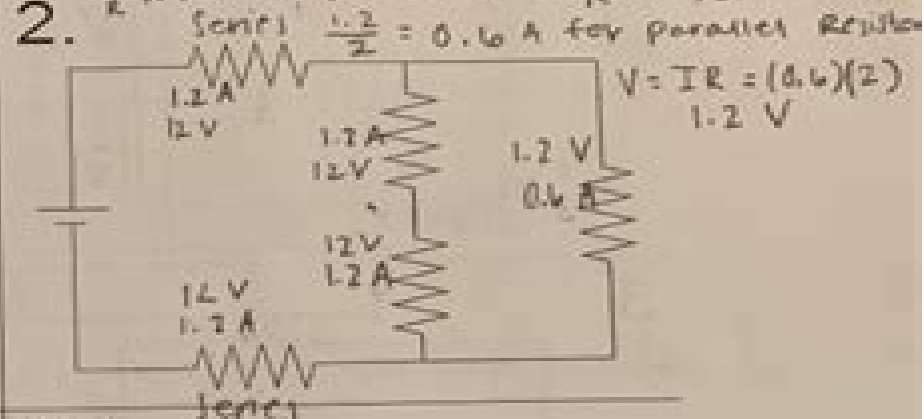
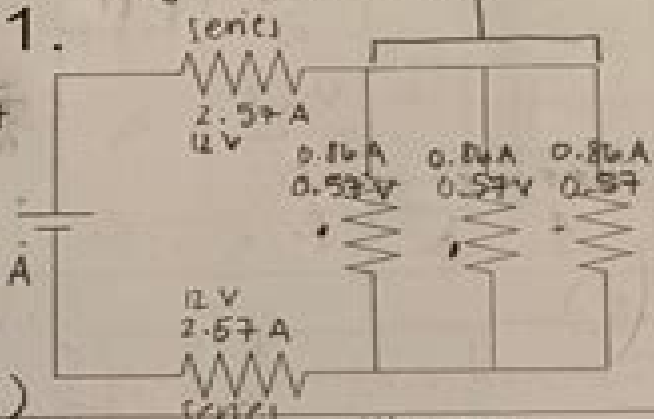
$$V = IR \rightarrow I = \frac{V}{R} = \frac{12}{10} = 1.2 \text{ A}$$

$$A = \frac{2 \Omega}{4.67} (12)$$

5.13

$$2 + 2 = 4 \Omega (\text{series}) \quad \frac{1}{2} + \frac{1}{2} + \frac{1}{2} = \frac{3}{2} = \frac{2}{3} \text{ (Parallel)}$$

$$4 + \frac{2}{3} = 4.67 \Omega = \text{total}$$



$$V = IR$$

$$I = \frac{V}{R} = \frac{12}{4.67}$$

$$I = 2.57$$

$$\frac{2.57 \text{ A}}{3} = 0.86 \text{ A}$$

$$V = IR$$

$$V = (0.86) (2)$$

$$V = 0.57 \text{ V}$$

3.

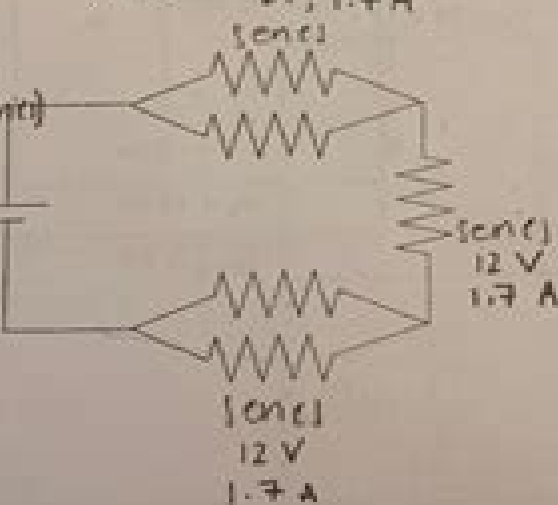
$$\text{Total } R = 6 + 1 = 7 \Omega$$

$$2 + 2 + 2 = 6 \Omega (\text{series})$$

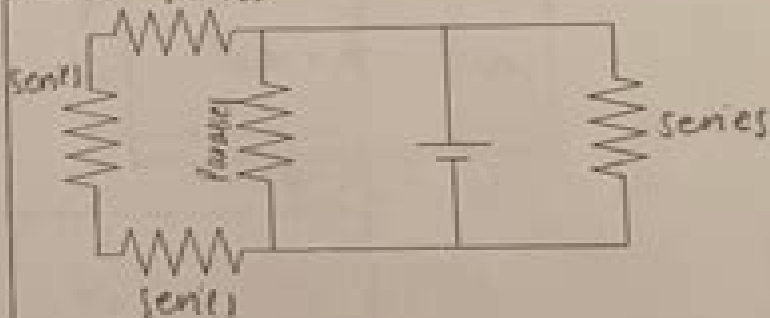
$$\frac{1}{2} + \frac{1}{2} = \frac{2}{2} = 1 \Omega (\text{parallel})$$

$$V = IR$$

$$I = \frac{V}{R} = \frac{12}{7} = 1.7 \text{ A}$$



4.



# Complex Circuit Problems And Solutions

**Scott C. Dulebohn**



## **Complex Circuit Problems And Solutions:**

Recognizing the artifice ways to get this book **Complex Circuit Problems And Solutions** is additionally useful. You have remained in right site to start getting this info. get the Complex Circuit Problems And Solutions partner that we meet the expense of here and check out the link.

You could buy lead Complex Circuit Problems And Solutions or acquire it as soon as feasible. You could speedily download this Complex Circuit Problems And Solutions after getting deal. So, gone you require the ebook swiftly, you can straight get it. Its hence no question easy and correspondingly fats, isnt it? You have to favor to in this circulate

[https://py.bijouxmedusa.com/About/publication/fetch.php/Crypto\\_Trading\\_Checklist\\_For\\_Entrepreneurs\\_94\\_736\\_Crypto\\_Trading.pdf](https://py.bijouxmedusa.com/About/publication/fetch.php/Crypto_Trading_Checklist_For_Entrepreneurs_94_736_Crypto_Trading.pdf)

## **Table of Contents Complex Circuit Problems And Solutions**

1. Understanding the eBook Complex Circuit Problems And Solutions
  - The Rise of Digital Reading Complex Circuit Problems And Solutions
  - Advantages of eBooks Over Traditional Books
2. Identifying Complex Circuit Problems And Solutions
  - Exploring Different Genres
  - Considering Fiction vs. Non-Fiction
  - Determining Your Reading Goals
3. Choosing the Right eBook Platform
  - Popular eBook Platforms
  - Features to Look for in an Complex Circuit Problems And Solutions
  - User-Friendly Interface
4. Exploring eBook Recommendations from Complex Circuit Problems And Solutions
  - Personalized Recommendations
  - Complex Circuit Problems And Solutions User Reviews and Ratings
  - Complex Circuit Problems And Solutions and Bestseller Lists

5. Accessing Complex Circuit Problems And Solutions Free and Paid eBooks
  - Complex Circuit Problems And Solutions Public Domain eBooks
  - Complex Circuit Problems And Solutions eBook Subscription Services
  - Complex Circuit Problems And Solutions Budget-Friendly Options
6. Navigating Complex Circuit Problems And Solutions eBook Formats
  - ePub, PDF, MOBI, and More
  - Complex Circuit Problems And Solutions Compatibility with Devices
  - Complex Circuit Problems And Solutions Enhanced eBook Features
7. Enhancing Your Reading Experience
  - Adjustable Fonts and Text Sizes of Complex Circuit Problems And Solutions
  - Highlighting and Note-Taking Complex Circuit Problems And Solutions
  - Interactive Elements Complex Circuit Problems And Solutions
8. Staying Engaged with Complex Circuit Problems And Solutions
  - Joining Online Reading Communities
  - Participating in Virtual Book Clubs
  - Following Authors and Publishers Complex Circuit Problems And Solutions
9. Balancing eBooks and Physical Books Complex Circuit Problems And Solutions
  - Benefits of a Digital Library
  - Creating a Diverse Reading Collection Complex Circuit Problems And Solutions
10. Overcoming Reading Challenges
  - Dealing with Digital Eye Strain
  - Minimizing Distractions
  - Managing Screen Time
11. Cultivating a Reading Routine Complex Circuit Problems And Solutions
  - Setting Reading Goals Complex Circuit Problems And Solutions
  - Carving Out Dedicated Reading Time
12. Sourcing Reliable Information of Complex Circuit Problems And Solutions
  - Fact-Checking eBook Content of Complex Circuit Problems And Solutions
  - Distinguishing Credible Sources
13. Promoting Lifelong Learning

- Utilizing eBooks for Skill Development
  - Exploring Educational eBooks
14. Embracing eBook Trends
- Integration of Multimedia Elements
  - Interactive and Gamified eBooks

### **Complex Circuit Problems And Solutions Introduction**

In the digital age, access to information has become easier than ever before. The ability to download Complex Circuit Problems And Solutions has revolutionized the way we consume written content. Whether you are a student looking for course material, an avid reader searching for your next favorite book, or a professional seeking research papers, the option to download Complex Circuit Problems And Solutions has opened up a world of possibilities. Downloading Complex Circuit Problems And Solutions provides numerous advantages over physical copies of books and documents. Firstly, it is incredibly convenient. Gone are the days of carrying around heavy textbooks or bulky folders filled with papers. With the click of a button, you can gain immediate access to valuable resources on any device. This convenience allows for efficient studying, researching, and reading on the go. Moreover, the cost-effective nature of downloading Complex Circuit Problems And Solutions has democratized knowledge. Traditional books and academic journals can be expensive, making it difficult for individuals with limited financial resources to access information. By offering free PDF downloads, publishers and authors are enabling a wider audience to benefit from their work. This inclusivity promotes equal opportunities for learning and personal growth. There are numerous websites and platforms where individuals can download Complex Circuit Problems And Solutions. These websites range from academic databases offering research papers and journals to online libraries with an expansive collection of books from various genres. Many authors and publishers also upload their work to specific websites, granting readers access to their content without any charge. These platforms not only provide access to existing literature but also serve as an excellent platform for undiscovered authors to share their work with the world. However, it is essential to be cautious while downloading Complex Circuit Problems And Solutions. Some websites may offer pirated or illegally obtained copies of copyrighted material. Engaging in such activities not only violates copyright laws but also undermines the efforts of authors, publishers, and researchers. To ensure ethical downloading, it is advisable to utilize reputable websites that prioritize the legal distribution of content. When downloading Complex Circuit Problems And Solutions, users should also consider the potential security risks associated with online platforms. Malicious actors may exploit vulnerabilities in unprotected websites to distribute malware or steal personal information. To protect themselves, individuals should ensure their devices have reliable antivirus software installed and validate the legitimacy of the websites they are downloading from.

In conclusion, the ability to download Complex Circuit Problems And Solutions has transformed the way we access information. With the convenience, cost-effectiveness, and accessibility it offers, free PDF downloads have become a popular choice for students, researchers, and book lovers worldwide. However, it is crucial to engage in ethical downloading practices and prioritize personal security when utilizing online platforms. By doing so, individuals can make the most of the vast array of free PDF resources available and embark on a journey of continuous learning and intellectual growth.

### FAQs About Complex Circuit Problems And Solutions Books

How do I know which eBook platform is the best for me? Finding the best eBook platform depends on your reading preferences and device compatibility. Research different platforms, read user reviews, and explore their features before making a choice. Are free eBooks of good quality? Yes, many reputable platforms offer high-quality free eBooks, including classics and public domain works. However, make sure to verify the source to ensure the eBook credibility. Can I read eBooks without an eReader? Absolutely! Most eBook platforms offer webbased readers or mobile apps that allow you to read eBooks on your computer, tablet, or smartphone. How do I avoid digital eye strain while reading eBooks? To prevent digital eye strain, take regular breaks, adjust the font size and background color, and ensure proper lighting while reading eBooks. What the advantage of interactive eBooks? Interactive eBooks incorporate multimedia elements, quizzes, and activities, enhancing the reader engagement and providing a more immersive learning experience. Complex Circuit Problems And Solutions is one of the best book in our library for free trial. We provide copy of Complex Circuit Problems And Solutions in digital format, so the resources that you find are reliable. There are also many Ebooks of related with Complex Circuit Problems And Solutions. Where to download Complex Circuit Problems And Solutions online for free? Are you looking for Complex Circuit Problems And Solutions PDF? This is definitely going to save you time and cash in something you should think about. If you trying to find then search around for online. Without a doubt there are numerous these available and many of them have the freedom. However without doubt you receive whatever you purchase. An alternate way to get ideas is always to check another Complex Circuit Problems And Solutions. This method for see exactly what may be included and adopt these ideas to your book. This site will almost certainly help you save time and effort, money and stress. If you are looking for free books then you really should consider finding to assist you try this. Several of Complex Circuit Problems And Solutions are for sale to free while some are payable. If you arent sure if the books you would like to download works with for usage along with your computer, it is possible to download free trials. The free guides make it easy for someone to free access online library for download books to your device. You can get free download on free trial for lots of books categories. Our library is the biggest of these that have literally hundreds of thousands of different products categories represented. You

will also see that there are specific sites catered to different product types or categories, brands or niches related with Complex Circuit Problems And Solutions. So depending on what exactly you are searching, you will be able to choose e books to suit your own need. Need to access completely for Campbell Biology Seventh Edition book? Access Ebook without any digging. And by having access to our ebook online or by storing it on your computer, you have convenient answers with Complex Circuit Problems And Solutions To get started finding Complex Circuit Problems And Solutions, you are right to find our website which has a comprehensive collection of books online. Our library is the biggest of these that have literally hundreds of thousands of different products represented. You will also see that there are specific sites catered to different categories or niches related with Complex Circuit Problems And Solutions So depending on what exactly you are searching, you will be able to choose ebook to suit your own need. Thank you for reading Complex Circuit Problems And Solutions. Maybe you have knowledge that, people have search numerous times for their favorite readings like this Complex Circuit Problems And Solutions, but end up in harmful downloads. Rather than reading a good book with a cup of coffee in the afternoon, instead they juggled with some harmful bugs inside their laptop. Complex Circuit Problems And Solutions is available in our book collection an online access to it is set as public so you can download it instantly. Our digital library spans in multiple locations, allowing you to get the most less latency time to download any of our books like this one. Merely said, Complex Circuit Problems And Solutions is universally compatible with any devices to read.

### **Find Complex Circuit Problems And Solutions :**

**crypto trading checklist for entrepreneurs 94-736 crypto trading checklist for small business 94-227 passive income ideas checklist for startups 94-1784 digital marketing case study for startups 94-389 organization tutorial USA 94-2870 home organization tutorial for comparison for small business 94-1140 budget travel comparison for small 94-1279 online privacy tips for small business 94-1019 online privacy development checklist USA 94-1771 blockchain development checklist for 94-1031 cybersecurity roadmap America 94-1643 cybersecurity roadmap USA improvement step by step for startups 94-960 self improvement strategies wearable technology tools for creators 94-2798 wearable technology tools retirement planning tips America 94-2110 retirement planning tools USA interview tips apps United States 94-1523 interview tips best practices software for entrepreneurs 94-1473 weight loss step by step for small**

for creators 94-1558 data science careers blueprint for creators 94-921  
for creators 94-1557 minimalist lifestyle explained for small business

**Complex Circuit Problems And Solutions :**

CLS Owners Manual.pdf Before you rst drive o , read this Operator's. Manual carefully and familiarize yourself with your vehicle. For your own safety and a longer operat- ing ... Owner's Manuals Your Mercedes-Benz Owner's Manual is your go-to resource for operating your vehicle. Browse and download manuals based on your vehicle class and year. Mercedes Benz CLS350 • Read this manual carefully for important safety information and operating instructions before using ... Mercedes Benz CLS350. Repair Manuals & Literature for Mercedes-Benz CLS350 Get the best deals on Repair Manuals & Literature for Mercedes-Benz CLS350 when you shop the largest online selection at eBay.com. Mercedes CLS 350 Replacement Parts & Manuals, Clearance, FAQs. Fun Creation Inc. Mercedes CLS 350. Item # 1265. Owner's Manual: Mercedes CLS 350 (PDF). Genuine 04-07 Mercedes-Benz CLS-Class CLS350 ... Genuine 04-07 Mercedes-Benz CLS-Class CLS350 CLS500 CLS550 Owners Manual Set ; Quantity. 1 available ; Item Number. 126127549565 ; Year of Publication. 2006 ; Make. CLS350 Load Sense Sectional Mobile Valves The new Eaton CLS load sensing sectional mobile valve is a pre and post compensated mobile valve with a highly versatile design. This modularity is. 0 Mercedes-Benz Cls350 Owners Manual Book Guide ... 0 Mercedes-Benz Cls350 Owners Manual Book Guide OEM Used Auto Parts. SKU:73123. In stock. We have 1 in stock. Regular price \$ 59.49 \$ 17.15 Sale. Owner's Manuals Owner's Manuals. Discover your owner's manual. Navigate on the online manual or download the Owner's Manual PDF for fast access whenever you need it. Mercedes Benz CLS350 Kids Ride-On Car ... - TOBBI To find more surprise! User Manual www.tobbi.com. Page 2 ... McDougal Littell Literature: Grade 10 - 1st Edition Our resource for McDougal Littell Literature: Grade 10 includes answers to chapter exercises, as well as detailed information to walk you through the process ... Holt McDougal Literature: Grade 10 (Common Core) Our resource for Holt McDougal Literature: Grade 10 (Common Core) includes answers to chapter exercises, as well as detailed information to walk you through the ... McDougal Littell Literature, Resource Manager Answer ... McDougal Littell Literature, Resource Manager Answer Key, Grade 10 ; by Various ; No reviews yet Write a review ; Subscribe to Discover Books. Exclusive discount ... McDougal Littell Literature, Resource... by unknown author McDougal Littell Literature, Resource Manager Answer Key, Grade 10 [unknown author] on Amazon.com. \*FREE\* shipping on qualifying offers. McDougal Littell Literature, Resource Manager Answer ... McDougal Littell Literature, Resource Manager Answer Key, Grade 10. 0 ratings by Goodreads · Various. Published by McDougal Littell, 2008. ISBN 10: 0547009453 ... Mcdougal Littell Literature Grade 10 Answers Get Free Mcdougal Littell Literature Grade 10 Answers. Mcdougal Littell Literature Grade 10 Answers. Literature, Grade 10Mcdougal Littell Literature ... McDougal Littell Literature, Resource Manager Answer ... McDougal Littell Literature, Resource

Manager Answer Key, Grade 10. Various. Published by McDougal Littell (2008). ISBN 10: 0547009453 ISBN 13: 9780547009452. Student Edition Grade 10 2006 by MCDUGAL LITTEL ... This McDougal Littell Language of Literature: Student Edition Grade 10 2006 having great arrangement in word and layout, so you will not really feel ... McDougall Littell Literature, Grade 10, Teacher's Edition Book overview. Teacher Edition for the 10th grade ML Literature series, 2008 copyright. ... Book reviews, interviews, editors' picks, and more. McDougal Littell Literature: Grammar for Writing Answer ... McDougal Littell Literature: Grammar for Writing Answer Key Grade 10 ... McDougal Littell. 5,016 books27 followers. Follow. Follow. McDougal Littell publishes ... Safety Services Program Sep 21, 2023 — We offer loss control services for businesses with complex risks. Our safety experts can identify areas of risk in all industries and help your ... Frankenmuth Insurance: Business, Home, Auto & Life Insurance Frankenmuth Insurance offers customized coverage for business, home, auto and life insurance. Contact a local agent for a quote with Frankenmuth Insurance. Public Safety The Frankenmuth Police Department may be reached 24/7 for emergencies by calling 911. For business related information call (989) 652-8371. Police officers are ... About Frankenmuth Insurance Fast, fair claims service since 1868. ... Frankenmuth Surety is a division of Frankenmuth Insurance, a property and casualty insurance company providing ... Frankenmuth Police Department This web site is an exciting way to provide information about the department and the services we provide. The Frankenmuth Police Department is a full-service ... Frankenmuth Insurance We truly care about the people we serve and strive to be your insurer of choice by delivering unparalleled protection and service. As a super-regional carrier, ... Frankenmuth School District - Where Effort Opens Opportunity A caring and generous community has supported FSD for many years. Whenever there are resources available to support the cause of learning and safety, our ... Why Frankenmuth is an Epic Destination for Safe Travel Oct 21, 2020 — No buffet services are available at this time. Hand sanitizing stations are available in all public areas of the restaurants and hotel. Dining ... Frankenmuth Insurance Review Safety Services. Industry-Specific Solutions. Insurance Rates. Frankenmuth does not offer online ... The website provides a helpful and comprehensive overview of ... Frankenmuth Credit Union: Home Frankenmuth Credit Union is your local Michigan credit union. Frankenmuth Credit Union is offering the most competitive rates in the market for Savings.