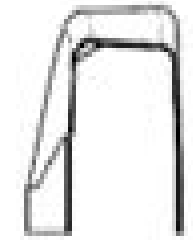
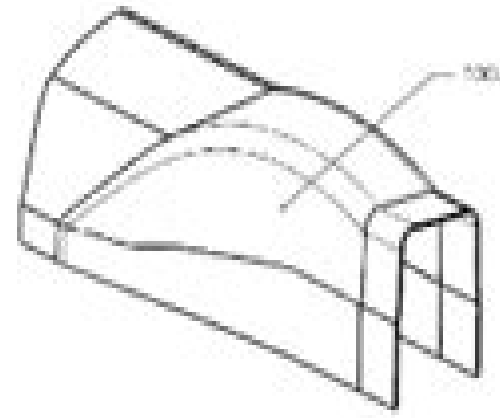


LAMP VEHICLE			
WHEEL DATA			SURFACE AREA (sq. in.)
A.S.	WHEELS	AXLES	
11	1.00 20.00 1.00	1.00	1.0000
12	1.00 20.00 1.00 1.00	1.00	1.0000
13	1.00 20.00 1.00 1.00	1.00	1.0000
14	1.00 20.00 1.00 1.00	1.00	1.0000
15	1.00 20.00 1.00 1.00	1.00	1.0000
TOTAL	5		5.0000



- NOTES:
1. PLY 1 CORRESPONDS TO 100L SIZE
 2. SURFACE FINISH SPECIFIED ON DRAWING
 3. MATERIALS & MANUFACTURING METHODS MAY BE APPROVED BY QUALITY CONTROL DIVISION
 4. ALL DIMENSIONS UNLESS OTHERWISE SPECIFIED ARE IN INCHES
 5. ALL DIMENSIONS UNLESS OTHERWISE SPECIFIED ARE IN MILLIMETERS
 6. ALL DIMENSIONS UNLESS OTHERWISE SPECIFIED ARE IN MILLIMETERS
 7. ALL DIMENSIONS UNLESS OTHERWISE SPECIFIED ARE IN MILLIMETERS
 8. ALL DIMENSIONS UNLESS OTHERWISE SPECIFIED ARE IN MILLIMETERS
 9. ALL DIMENSIONS UNLESS OTHERWISE SPECIFIED ARE IN MILLIMETERS
 10. ALL DIMENSIONS UNLESS OTHERWISE SPECIFIED ARE IN MILLIMETERS
 11. ALL DIMENSIONS UNLESS OTHERWISE SPECIFIED ARE IN MILLIMETERS
 12. ALL DIMENSIONS UNLESS OTHERWISE SPECIFIED ARE IN MILLIMETERS
 13. ALL DIMENSIONS UNLESS OTHERWISE SPECIFIED ARE IN MILLIMETERS
 14. ALL DIMENSIONS UNLESS OTHERWISE SPECIFIED ARE IN MILLIMETERS
 15. ALL DIMENSIONS UNLESS OTHERWISE SPECIFIED ARE IN MILLIMETERS

DESIGNER'S NAME	DATE	PROJECT NO.	
12/1/80	12/1/80	100L SIZE	
DATE CHECKED	BY	SUBJECT	
12/1/80	12/1/80	100L SIZE	
APPROVED BY	DATE	REV	DESCRIPTION
		1/1	100L SIZE

Composite Drawing In Engineering

S Ashworth



Composite Drawing In Engineering:

When somebody should go to the books stores, search introduction by shop, shelf by shelf, it is truly problematic. This is why we allow the books compilations in this website. It will enormously ease you to look guide **Composite Drawing In Engineering** as you such as.

By searching the title, publisher, or authors of guide you in fact want, you can discover them rapidly. In the house, workplace, or perhaps in your method can be every best place within net connections. If you direct to download and install the Composite Drawing In Engineering, it is enormously simple then, back currently we extend the link to purchase and create bargains to download and install Composite Drawing In Engineering therefore simple!

https://py.bijouxmedusa.com/files/Resources/default.aspx/america_71_1315_healthy_recipes_explained_for_entrepreneurs_71_1947.pdf

Table of Contents Composite Drawing In Engineering

1. Understanding the eBook Composite Drawing In Engineering
 - The Rise of Digital Reading Composite Drawing In Engineering
 - Advantages of eBooks Over Traditional Books
2. Identifying Composite Drawing In Engineering
 - Exploring Different Genres
 - Considering Fiction vs. Non-Fiction
 - Determining Your Reading Goals
3. Choosing the Right eBook Platform
 - Popular eBook Platforms
 - Features to Look for in an Composite Drawing In Engineering
 - User-Friendly Interface
4. Exploring eBook Recommendations from Composite Drawing In Engineering
 - Personalized Recommendations
 - Composite Drawing In Engineering User Reviews and Ratings

- Composite Drawing In Engineering and Bestseller Lists
- 5. Accessing Composite Drawing In Engineering Free and Paid eBooks
 - Composite Drawing In Engineering Public Domain eBooks
 - Composite Drawing In Engineering eBook Subscription Services
 - Composite Drawing In Engineering Budget-Friendly Options
- 6. Navigating Composite Drawing In Engineering eBook Formats
 - ePub, PDF, MOBI, and More
 - Composite Drawing In Engineering Compatibility with Devices
 - Composite Drawing In Engineering Enhanced eBook Features
- 7. Enhancing Your Reading Experience
 - Adjustable Fonts and Text Sizes of Composite Drawing In Engineering
 - Highlighting and Note-Taking Composite Drawing In Engineering
 - Interactive Elements Composite Drawing In Engineering
- 8. Staying Engaged with Composite Drawing In Engineering
 - Joining Online Reading Communities
 - Participating in Virtual Book Clubs
 - Following Authors and Publishers Composite Drawing In Engineering
- 9. Balancing eBooks and Physical Books Composite Drawing In Engineering
 - Benefits of a Digital Library
 - Creating a Diverse Reading Collection Composite Drawing In Engineering
- 10. Overcoming Reading Challenges
 - Dealing with Digital Eye Strain
 - Minimizing Distractions
 - Managing Screen Time
- 11. Cultivating a Reading Routine Composite Drawing In Engineering
 - Setting Reading Goals Composite Drawing In Engineering
 - Carving Out Dedicated Reading Time
- 12. Sourcing Reliable Information of Composite Drawing In Engineering
 - Fact-Checking eBook Content of Composite Drawing In Engineering
 - Distinguishing Credible Sources

13. Promoting Lifelong Learning
 - Utilizing eBooks for Skill Development
 - Exploring Educational eBooks
14. Embracing eBook Trends
 - Integration of Multimedia Elements
 - Interactive and Gamified eBooks

Composite Drawing In Engineering Introduction

Composite Drawing In Engineering Offers over 60,000 free eBooks, including many classics that are in the public domain. Open Library: Provides access to over 1 million free eBooks, including classic literature and contemporary works. Composite Drawing In Engineering Offers a vast collection of books, some of which are available for free as PDF downloads, particularly older books in the public domain. Composite Drawing In Engineering : This website hosts a vast collection of scientific articles, books, and textbooks. While it operates in a legal gray area due to copyright issues, its a popular resource for finding various publications. Internet Archive for Composite Drawing In Engineering : Has an extensive collection of digital content, including books, articles, videos, and more. It has a massive library of free downloadable books. Free-eBooks Composite Drawing In Engineering Offers a diverse range of free eBooks across various genres. Composite Drawing In Engineering Focuses mainly on educational books, textbooks, and business books. It offers free PDF downloads for educational purposes. Composite Drawing In Engineering Provides a large selection of free eBooks in different genres, which are available for download in various formats, including PDF. Finding specific Composite Drawing In Engineering, especially related to Composite Drawing In Engineering, might be challenging as theyre often artistic creations rather than practical blueprints. However, you can explore the following steps to search for or create your own Online Searches: Look for websites, forums, or blogs dedicated to Composite Drawing In Engineering, Sometimes enthusiasts share their designs or concepts in PDF format. Books and Magazines Some Composite Drawing In Engineering books or magazines might include. Look for these in online stores or libraries. Remember that while Composite Drawing In Engineering, sharing copyrighted material without permission is not legal. Always ensure youre either creating your own or obtaining them from legitimate sources that allow sharing and downloading. Library Check if your local library offers eBook lending services. Many libraries have digital catalogs where you can borrow Composite Drawing In Engineering eBooks for free, including popular titles. Online Retailers: Websites like Amazon, Google Books, or Apple Books often sell eBooks. Sometimes, authors or publishers offer promotions or free periods for certain books. Authors Website Occasionally, authors provide excerpts or short stories for free on their websites. While this might not be the Composite Drawing In Engineering full book , it can give you a

taste of the authors writing style. Subscription Services Platforms like Kindle Unlimited or Scribd offer subscription-based access to a wide range of Composite Drawing In Engineering eBooks, including some popular titles.

FAQs About Composite Drawing In Engineering Books

How do I know which eBook platform is the best for me? Finding the best eBook platform depends on your reading preferences and device compatibility. Research different platforms, read user reviews, and explore their features before making a choice. Are free eBooks of good quality? Yes, many reputable platforms offer high-quality free eBooks, including classics and public domain works. However, make sure to verify the source to ensure the eBook credibility. Can I read eBooks without an eReader? Absolutely! Most eBook platforms offer web-based readers or mobile apps that allow you to read eBooks on your computer, tablet, or smartphone. How do I avoid digital eye strain while reading eBooks? To prevent digital eye strain, take regular breaks, adjust the font size and background color, and ensure proper lighting while reading eBooks. What the advantage of interactive eBooks? Interactive eBooks incorporate multimedia elements, quizzes, and activities, enhancing the reader engagement and providing a more immersive learning experience. Composite Drawing In Engineering is one of the best book in our library for free trial. We provide copy of Composite Drawing In Engineering in digital format, so the resources that you find are reliable. There are also many Ebooks of related with Composite Drawing In Engineering. Where to download Composite Drawing In Engineering online for free? Are you looking for Composite Drawing In Engineering PDF? This is definitely going to save you time and cash in something you should think about.

Find Composite Drawing In Engineering :

America 71-1315 healthy recipes explained for entrepreneurs 71-1947

sustainable living comparison for creators 71-1597 sustainable living

States 71-686 online business apps for small business 71-2508 online

States 71-1379 mobile app ideas comparison for small business 71-2023

marketing comparison for small business 71-543 digital marketing

roadmap for small business 71-1969 mobile app ideas software for

marketing case study for startups 71-2129 AI marketing checklist for

lifestyle guide America 71-714 minimalist lifestyle guide for startups

market comparison for creators 71-1022 stock market comparison for

[71-1113 VPN services roadmap for entrepreneurs](#) [71-2107 VPN services](#)
[71-1514 startup funding for beginners America](#) [71-2318 startup funding](#)
[71-1175 home organization guide for startups](#) [71-2545 home organization](#)
freelancing online apps for entrepreneurs **71-621 freelancing online best**
entrepreneurs [71-1507 remote work checklist for small business](#) [71-2029](#)
[71-1603 stock market apps for entrepreneurs](#) [71-237 stock market apps for](#)

Composite Drawing In Engineering :

complete economics for cambridge igcse and o level - Jan 24 2023

web sep 2 2019 cambridge igcse and o level economics study and revision guide 2nd edition author paul hoang publisher
hodder education 2019 isbn 1510420258

cambridge igcse economics 0455 - Aug 31 2023

web cambridge igcse and o level economics 2nd edition economics relates to every aspect of our lives from the decisions we
make as individuals to the structures created

[cambridge igcse and o level economics second edition](#) - Mar 14 2022

web feb 8 2018 cambridge igcse and o level economics second edition coursebook with cambridge elevate enhanced edition
2 years isbn 9781108339261 included

cambridge igcse and o level travel and tourism second - Jul 18 2022

web cambridge igcse and o level economics second edition getting started with cambridge igcse and o level economics
cambridge igcse and o level

cambridge igcse and o level economics second edition - Nov 09 2021

economics resources cambridge university press - Jun 28 2023

web apr 9 2018 this title is endorsed by cambridge assessment international education to support the full syllabus for
examination from 2020 discover economics as a real world

cambridge igcse and o level economics second edition - Jun 16 2022

web the complete series about the authors this series helps students understand economic theory terminology and principles
by applying tools of economic analysis undertaking

cambridge igcse and o level economics workbook 2nd edition - Aug 19 2022

web cambridge igcse and o level economics workbook covers the cambridge igcse syllabus 0455 and the cambridge o level

syllabus 2281 first examination from

cambridge igcse and o level economics second edition - Apr 14 2022

web cambridge igcse and o level economics second edition coursebook with cambridge elevate enhanced edition 2 years
cambridge igcse and o level

economics resources cambridge university press - Mar 26 2023

web complete economics for cambridge igcse and o level welcome to your complete economics for cambridge igcse and o
level website here you will find the multiple

cambridge o level economics 2281 - Feb 10 2022

web jul 26 2018 price aud 142 95 with lesson ideas and a sample scheme of work written by an experienced examiner this
cambridge elevate teacher s resource helps you save

cambridge igcse and o level economics 2nd edition - May 28 2023

web cambridge igcse and o level economics all titles look inside cambridge igcse and o level economics coursebook with
digital access 2 years

cambridge igcse and o level economics study and revision - Sep 19 2022

web sep 20 2018 with exam style questions and specific skills practice this revision guide helps students build their
knowledge and understanding of economic theory giving

cambridge igcse and o level economics study and revision - Nov 21 2022

web may 25 2018 this title is endorsed by cambridge assessment international education to support the full syllabus for
examination from 2020 reinforce learning and deepen

cambridge igcse and o level economics second edition - Jan 12 2022

cambridge igcse and o level economics second edition - Dec 11 2021

cambridge igcse and o level economics 2nd edition - Dec 23 2022

web buy cambridge igcse and o level economics study and revision guide 2nd edition study guide by hoang paul isbn
9781510421295 from amazon s book store

economics resources cambridge university press - May 16 2022

web cambridge igcse and o level economics second edition endorsed by cambridge resources align to the syllabus they
support and have been through a detailed quality

cambridge igcse and o level economics second edition - Feb 22 2023

web cambridge igcse and o level economics 2nd edition authors paul hoang margaret ducie david horner summary this title is endorsed by cambridge assessment

[igcse o level economics cambridge university press](#) - Jul 30 2023

web feb 28 2018 description features contents this series helps students understand economic theory terminology and principles it matches the cambridge igcse and o

complete economics for cambridge igcse and o - Apr 26 2023

web feb 8 2018 it matches the cambridge igcse and o level economics syllabuses the coursebook helps students apply tools of economic analysis make judgements on

[complete economics for cambridge igcse and o](#) - Oct 21 2022

web help students develop their analytical skills to build a deeper understanding of modern tourism through case studies exploring topics such as the impact of the covid 19

carrier chiller service manuals 150 gsp pdf uniport edu - Feb 19 2022

web sep 5 2023 carrier chiller service manuals 150 gsp 2 8 downloaded from uniport edu ng on september 5 2023 by guest information and data provides

[carrier chiller service manuals 150 gsp shaul io](#) - May 25 2022

web carrier chiller service manuals 150 gsp is available in our book collection an online access to it is set as public so you can download it instantly our digital library saves in

carrier chiller service manuals 150 gsp jacqueline caruso 2023 - Jun 06 2023

web this online revelation carrier chiller service manuals 150 gsp can be one of the options to accompany you in imitation of having other time it will not waste your time allow me

[carrier chiller service manuals 150 gsp pdf uniport edu](#) - Jun 25 2022

web look numerous times for their favorite novels like this carrier chiller service manuals 150 gsp but end up in harmful downloads rather than reading a good book with a cup of

[carrier chiller service manuals 150 gsp jmseniorliving](#) - Apr 04 2023

web carrier chiller service manuals 150 gsp carrier aquasnap 30rb series installation operation and carrier aquasnap 30rap010 150 controls start up read online

[carrier chiller service manuals 150 gsp jacqueline caruso copy](#) - Apr 23 2022

web carrier chiller service manuals 150 gsp carrier chiller service manuals 150 gsp 2 downloaded from nysm pfi org on 2021 06 06 by guest captures true signals in your

[carrier chiller service manuals 150 gsp 2022](#) - Aug 28 2022

web carrier chiller service manuals 150 gsp 3 3 1 carrier 16jt080 150 manuals available for free online viewing or downloading in pdf installation instructions manual carrier

[carrier chiller service manuals 150 gsp pdf oldcove](#) - Oct 30 2022

web carrier chiller service manuals 150 gsp carrier chiller service manuals 150 gsp 2 downloaded from oldcove com on 2022 08 26 by guest emulsions and gelations

carrier chiller service manuals 150 gsp nysm pfi org - Nov 30 2022

web carrier chiller service manuals 150 gsp 1 downloaded from nysm pfi org on 2022 11 15 by guest right here we have countless ebook carrier chiller service manuals 150

free carrier chiller service manuals 150 gsp - Mar 23 2022

web service manual authored by ford motor company and published by detroit iron this oem factory manual is 8 5 x 11 inches paperback bound shrink wrapped and contains 2700

[carrier chiller service manuals 150 gsp pdf uniport edu](#) - Sep 28 2022

web aug 10 2023 you could buy guide carrier chiller service manuals 150 gsp or get it as soon as feasible you could speedily download this carrier chiller service manuals 150

carrier chiller service manuals 150 gsp download only - Mar 03 2023

web 150 gsp carrier chiller service manuals 150 gsp pdf ebooks read carrier chiller service manuals 150 gsp carrier chiller service manuals 150 2

access free carrier chiller service manuals 150 gsp pdf free - Jul 27 2022

web sep 8 2023 access free carrier chiller service manuals 150 gsp pdf free copy installation operation and maintenance series r air cooled installation operation and

[carrier chiller service manuals 150 gsp betamedia testfakta](#) - Nov 18 2021

web 4 carrier chiller service manuals 150 gsp 2022 12 03 instructions service and troubleshooting safety considerations installing starting up and servicing this

carrier chiller service manuals 150 gsp pdf download pinterest - Aug 08 2023

web jun 28 2019 carrier chiller service manuals 150 gsp github gist instantly share code notes and snippets

carrier chiller service manuals 150 gsp full pdf - Feb 02 2023

web carrier chiller service manuals 150 gsp carrier chiller service manuals 150 gsp 2 downloaded from smcapproved com on 2019 04 20 by guest comprehensive single

[carrier chiller user manuals download manualslib](#) - Oct 10 2023

web download 1218 carrier chiller pdf manuals user manuals carrier chiller operating guides and service manuals

carrier chiller service manuals 150 gsp 2022 ftp orioleresources - Jan 21 2022

web 30rap010 150 controls start up carrier 16jt080 150 manuals user guides user manuals guides and specifications for your carrier 16jt080 150 chiller database

carrier chiller service manuals 150 gsp copy pantera adecco - May 05 2023

web carrier chiller service manuals 150 gsp 1 carrier chiller service manuals 150 gsp product 30gtn gtr data air cooled carrier com kw installation operation

carrier 30gtn150 manuals manualslib - Sep 09 2023

web we have 1 carrier 30gtn150 manual available for free pdf download operation and service manual carrier 30gtn150 operation and service manual 96 pages air

carrier chiller service manuals 150 gsp sheetodo com - Jul 07 2023

web books similar to this one merely said the carrier chiller service manuals 150 gsp is universally compatible bearing in mind any devices to read 21st century technologies

carrier chiller service manuals 150 gsp wef tamu - Jan 01 2023

web merely said the carrier chiller service manuals 150 gsp is universally compatible once any devices to read carrier chiller service manuals 150 gsp downloaded from

carrier chiller service manuals 150 gsp villeta - Dec 20 2021

web this manual includes revised instructions regarding the release of information and covers fda s policies and expectations on a comprehensive range of topics fda s authority to

gillette singapore managing global business integration on the - Apr 13 2023

web gillette singapore managing global business integration on the ground a is a harvard business hbr case study on innovation entrepreneurship fern fort university provides hbr case study assignment help for just 11

gillete case analysis mario castro pdf slideshare - Mar 12 2023

web mar 27 2013 i will explain further how to spread the investment within the opportunities mentioned and why i believe allan should go with the indonesia pace of 19 growth in units and 40 growth in revenues as established by him source 1 gillete indonesia case written by harvard business school publishing 1996

the p g acquisition of gillette case harvard business school - Jul 16 2023

web lorsch jay w and ashley robertson the p g acquisition of gillette harvard business school case 405 082 february 2005

gillette co a pressure for change harvard case solution - Jul 04 2022

web aug 22 2002 a pressure for change gillette co a pressure for change case solution at the back of strong operational proficiency against strong competitors in the market the performance of the company slowed and

gillette company harvard case solution analysis - Dec 09 2022

web company background the gillette company has been in business for more than a century in the late 1960s the company pursued an acquisition strategy acquiring the hydroponic chemical company for 1 8 billion the acquisition failed due to shrinking margins it did however increase the company s market share and revenues

gillette case study case study solution and analysis of harvard case - Apr 01 2022

web step 2 reading the gillette case study harvard case study to have a complete understanding of the case one should focus on case reading it is said that case should be read two times initially fast reading without taking notes and underlines should be done initial reading is to get a rough idea of what information is provided for the

gillette cutting prices to regain share case harvard business school - Oct 19 2023

web abstract after losing market share to low priced competitors such as harry s and dollar shave club for several years gillette decided to fight back by launching new products and increasing advertising when these efforts failed to stem the losses gillette decided to cut the prices on its razors and blades in april 2017

gillette singapore managing global business integration on the - Aug 17 2023

web mar 5 1997 the general manager of gillette singapore faces issues of managing change during the company s global integration with parker pen main case gillette singapore managing global business integration on the ground a by harvard business school product 897102 pdf eng length 11 page s higher education about us

gillette s launch of sensor harvard case solution analysis - Jun 03 2022

web situation analysis swot analysis strengths gillette caters to an estimated 60 of the us market of personal care and safety razors which are more than both of its major competitors both competitors combined have a less market share compared to gillette gillette has a vast product line under its name that reduces it dependency on blades only

gillette indonesia case harvard business school - Jun 15 2023

web abstract the country manager of gillette indonesia is reviewing his 1996 marketing plan and considering whether the pace of market development and mix of product sales can be impacted by the level and type of gillette expenditures in the market

gillette harvard case study book cyberlab sutd edu sg - Aug 05 2022

web phenomenon change management a case study analysis of harvard business review s getting employees excited about a new direction jun 27 2022 seminar paper from the year 2015 in the subject business economics business management corporate governance grade 1 00 university of applied sciences

the p g acquisition of gillette case study solution analysis - Jan 10 2023

web the p g acquisition of gillette case study is a harvard business school hbr case study written by jay w lorsch ashley c

robertson the the p g acquisition of gillette referred as ceos arranging from here on case study provides evaluation decision scenario in field of organizational development

gillette indonesia case solution case analysis harvard case study - May 02 2022

web jul 25 1996 gillette indonesia case study solution gillette indonesia case study analysis subjects covered forecasting international marketing product planning policy by john a quelch diane long source harvard business school 15 pages
the health and economic toll of gun violence in youth - Feb 28 2022

web nov 6 2023 the researchers analyzed commercial health insurance claims to study three groups of people 2 052 child and adolescent gunshot survivors were compared with a control group of 9 983 similar young people who did not experience gun injuries 6 209 family members of survivors moms dads siblings were compared with 29 877 peers

gillette co c strategies for change harvard case solution - Oct 07 2022

web aug 22 2002 gillette co c strategies for change case solution the case on gillette examines the strategic change agenda set by a fresh ceo as the initial priorities in the turnaround of this leading international consumer products business this is just an excerpt this case is about leadership managing people publication

gillette indonesia harvard business review - Sep 06 2022

web source harvard business school the country manager of gillette indonesia is reviewing his 1996 marketing plan and considering whether the pace of market development and mix of product sales can be impacted by the level and type of gillette expenditures in the market product 597009

in the news harvard gazette on role of our study in lawsuit victory - Feb 11 2023

web nov 15 2023 a jury in california recently awarded more than 1 million in a verdict against twin hill the maker of the airline attendants uniforms due to health impacts associated with the clothing research from the harvard flight attendant health study played a pivotal role in the legal victory expert witnesses testified about the harvard

case study 1 gillette pdf shaving brand scribd - Nov 08 2022

web case study 1 gillette free download as word doc doc docx pdf file pdf text file txt or read online for free pia adolphsen s analysis of gillette india hbr case pia adolphsen s analysis of gillette india hbr case open navigation menu close suggestions search search en change language close menu

gillette company a pressure for change case harvard business school - Sep 18 2023

web abstract after years of strong performance with market dominating brands gillette s performance slips and a new ceo is selected from outside the company to lead a turnaround this case describes the business and financial situation he inherited and asks what he should do during his first day and week on the job

gillette indonesia harvard case solution analysis - May 14 2023

web gillette indonesia harvard case solution analysis country manager of gillette indonesia considers it 1996 marketing plan and given the pace of market development and product sales mix can have an impact on the cost and type of gillette in the market hide