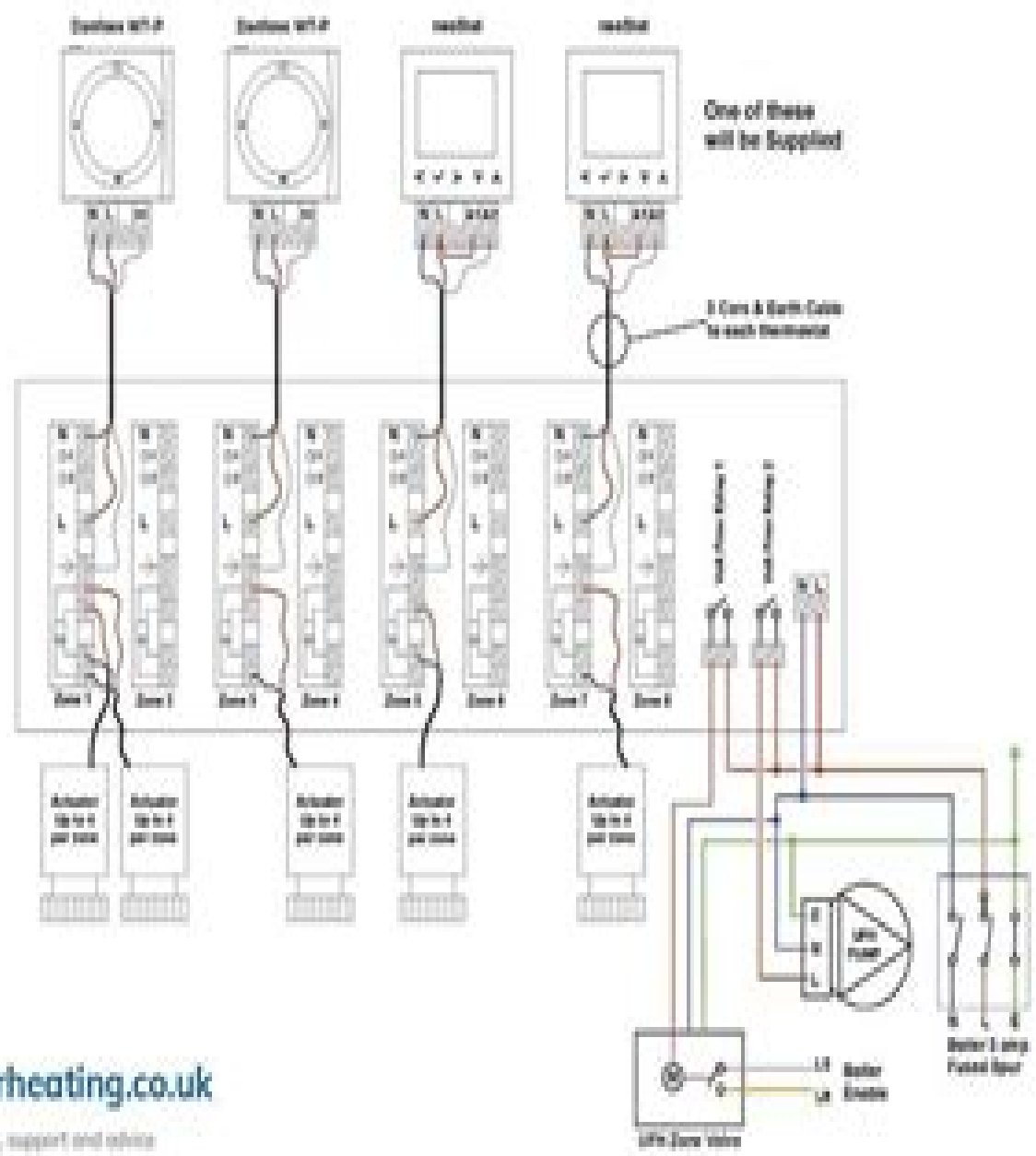


# Wiring using a Wiring Centre (Multi Zone)



visit

# Connection Example Danfoss

**Ying Liu**



## **Connection Example Danfoss:**

**Network Based High Speed Product Development** Peter Lindgren, 2022-09-01 In the first decade of the 21st century product development in networks was predicted to be of ever increasing importance to businesses of all sizes because of changes in markets in technology in networks and in the competences of Businesses The growth in new products share of businesses total turnover and earnings were increasing at an unprecedented speed The entrepreneurial innovations and technological improvements had resulted in the increasingly fast development of new products and services Businesses and industries in different countries became increasingly more linked and interdependent in networks with respect to materials business operations and particularly product development to match the wants and needs of the global market environment to high speed product development Businesses were therefore encountering increasingly dynamic market fragmentation shrinking time in market increasing product variety demands of production to customer specifications reduced product lifetimes and globalization of production Networks were vital because the competition is not business against business but network against network Networks are vital because an increasing part of product development was carried out in all types of networks containing physical ICT dynamic and virtual networks Speed and pressure on time in product development seemed to continue to increase because customer demands for new products seemed to continue to increase However a Business seldom possessed all needed competences and managers saw product development based on networks as an important solution to meet the strong competition of the future global markets and the strong demand for innovation and innovativeness The evolution of market demands and focus required on competencies of businesses could be characterized as a development from a focus on efficiency to a focus on quality and flexibility to a focus on speed and innovativeness This was why it was interesting and important to research and discuss product development and especially to understand high speed product development of individualized products in fragile market segments Consequently findings and learning on aspects like enablers management tools technological tools product development models product development processes and network tools to speed new product development are presented in this book [Entrepreneurship in Theory and Practice](#) Suna Løwe Nielsen, Kim Klyver, Majbritt Rostgaard Evald, Torben Bager, 2021-03-26 The third edition of this creative and successful textbook provides a broad overview of entrepreneurship from a theoretical and practical perspective Engaging for undergraduates it embeds theories of entrepreneurship with tensions and dilemmas presented as paradoxes for each chapter It offers insights into the entrepreneurial process and challenges readers to assess the paradoxes and pitfalls encountered on an entrepreneurial journey

**Collaborative Communities of Firms** Anne Bøllingtoft, Lex Donaldson, George P. Huber, Dorthe Døjbak Håkonsson, Charles C. Snow, 2011-11-23 Faced with the ever accelerating pace of technological change and the restructuring of markets many firms have been questioning the appropriateness of their own organizational structure and effectiveness Consequently we have witnessed much organizational experimentation and the development of new forms

of organizing over the last decade Firms are more dependent than ever on the need for continuous and radical innovations and often innovations that go beyond their existing businesses This challenges firms in terms of knowledge and idea sharing and often necessitates the need to expand beyond the boundaries of the single firm for multi party collaboration to meet serious challenges and develop creative solutions Drawing from the Fourth International Workshop on Organization Design and featuring contributions from an international array of specialists this volume focuses on the expansion beyond the boundaries of the single firm and multi firm networks to include for example community based organization designs A community is a connected set of firms the connections can take on many different dimensions For organization design theory community based organizations have many implications For one organization design theory has to identify and describe designs that enhance collaborative behavior among firms without restricting the ability of the individual firm to continue to compete within its own marketplace Moreover organization design theory also has to identify and describe information processing strategies and designs that allow the continuous generation sharing and application of existing information and knowledge The development of effective collaborative community designs is critically important to the global economy because increasingly our future depends on pursuing shared goals and sustainably developing our global commons Ideally the ideas and findings in this book will contribute to increased attention to new organization designs capable of meeting 21st century opportunities and challenges

**Embedded Software** ,2005 **Mass Customisation and Personalisation in Architecture and Construction** Poorang Piroozfar, Frank Piller, 2013-06-19 Challenged by the recent economic crisis the building and construction industry is currently seeking new orientation and strategies Here mass customisation is uncovered as a key strategy in helping to meet this challenge The term mass customisation denotes an offering that meets the demands of each individual customer whilst still being produced with mass production efficiency Today mass customisation is emerging from a pilot stage into a scalable and sustainable strategy The first dedicated publication of its kind this book provides a forum for the concept within an applied and highly innovative context The book includes contributions from some of the most prominent thinkers and practitioners in the field from across the world including Kasper S Vibaek Steve Kendall Martin Bechthold Mitchell M Tseng and Masa Noguchi Bringing together this panel of experts who have carried out research both in academia and practice this book provides an overview of state of the art practice related to the concept of customisation and personalisation within the built environment

**Water 21** ,1999 **Interactions** ,1997 A magazine for designers of interactive products **Processing** ,1984 From Ideas to Action Jan-Olaf Willums, Ulrich Golüke, 1992 The earth our asset Business sustainable development and environmental assets The air around us The water we need The vanishing forests The richness of nature biodiversity The lost resource waste Hopes and promises population poverty and health The business response to sustainable development The greening of enterprise industry s score Fueling economic development the double edge of energy Bridging the gap industry s role in technology cooperation The road ahead The ICC

business charter for sustainable development The history of the business charter Further reference material on cases Corporate environmental profiles The Rio declaration and ICC business charter on environment and development Reference documents **The Engineering and Boiler House Review** ,1962 **The Journal of Refrigeration** ,1968 Modern Refrigeration ... ,1974 **Modern Refrigeration and Air Control** ,1962 **Desalination** Jane Kucera,2019-04-11 This all new revised edition of a modern classic is the most comprehensive and up to date coverage of the green process of desalination in industrial and municipal applications covering all of the processes and equipment necessary to design operate and troubleshoot desalination systems This is becoming increasingly more important for not only our world s industries but our world s populations as pure water becomes more and more scarce Blue is the new green This is an all new revised edition of a modern classic on one of the most important subjects in engineering Water Featuring a total revision of the initial volume this is the most comprehensive and up to date coverage of the process of desalination in industrial and municipal applications a technology that is becoming increasingly more important as more and more companies choose to go green This book covers all of the processes and equipment necessary to design operate and troubleshoot desalination systems from the fundamental principles of desalination technology and membranes to the much more advanced engineering principles necessary for designing a desalination system Earlier chapters cover the basic principles the economics of desalination basic terms and definitions and essential equipment The book then goes into the thermal processes involved in desalination such as various methods of evaporation distillation recompression and multistage flash Following that is an exhaustive discussion of the membrane processes involved in desalination such as reverse osmosis forward osmosis and electrodialysis Finally the book concludes with a chapter on the future of these technologies and their place in industry and how they can be of use to society This book is a must have for anyone working in water for engineers technicians scientists working in research and development and operators It is also useful as a textbook for graduate classes studying industrial water applications

*Market Oriented Product Innovation* Knut Holt,2013-03-14 Market Oriented Product Innovation differs from most other titles written either from a marketing or technical perspective by giving a holistic view of the product innovation process It has a product perspective written from a managerial point of view recognizing that product innovation or new product development is a discipline of its own It is concerned with managing the products goods and services through their life cycle integrating marketing knowledge and technological expertise with the aim of getting satisfied customers The book also gives a thorough treatment of the human and cultural aspects of product innovation by focusing on the change processes needed for the development of a market oriented culture *Engineering and Boiler House Review* ,1956 *Federal Register* ,2013-12 *Engineering Materials and Design* ,1990 Equal Opportunities Review ,2002 The Journal of the Institution of Heating and Ventilating Engineers Institution of Heating and Ventilating Engineers (Great Britain),1960

Discover tales of courage and bravery in its empowering ebook, Stories of Fearlessness: **Connection Example Danfoss** . In a downloadable PDF format ( \*), this collection inspires and motivates. Download now to witness the indomitable spirit of those who dared to be brave.

<https://py.bijouxmedusa.com/public/publication/index.jsp/Libro%20Di%20Geografia%20Risorse%20E%20Sviluppo.pdf>

## **Table of Contents Connection Example Danfoss**

1. Understanding the eBook Connection Example Danfoss
  - The Rise of Digital Reading Connection Example Danfoss
  - Advantages of eBooks Over Traditional Books
2. Identifying Connection Example Danfoss
  - Exploring Different Genres
  - Considering Fiction vs. Non-Fiction
  - Determining Your Reading Goals
3. Choosing the Right eBook Platform
  - Popular eBook Platforms
  - Features to Look for in an Connection Example Danfoss
  - User-Friendly Interface
4. Exploring eBook Recommendations from Connection Example Danfoss
  - Personalized Recommendations
  - Connection Example Danfoss User Reviews and Ratings
  - Connection Example Danfoss and Bestseller Lists
5. Accessing Connection Example Danfoss Free and Paid eBooks
  - Connection Example Danfoss Public Domain eBooks
  - Connection Example Danfoss eBook Subscription Services
  - Connection Example Danfoss Budget-Friendly Options
6. Navigating Connection Example Danfoss eBook Formats

- ePub, PDF, MOBI, and More
  - Connection Example Danfoss Compatibility with Devices
  - Connection Example Danfoss Enhanced eBook Features
7. Enhancing Your Reading Experience
    - Adjustable Fonts and Text Sizes of Connection Example Danfoss
    - Highlighting and Note-Taking Connection Example Danfoss
    - Interactive Elements Connection Example Danfoss
  8. Staying Engaged with Connection Example Danfoss
    - Joining Online Reading Communities
    - Participating in Virtual Book Clubs
    - Following Authors and Publishers Connection Example Danfoss
  9. Balancing eBooks and Physical Books Connection Example Danfoss
    - Benefits of a Digital Library
    - Creating a Diverse Reading Collection Connection Example Danfoss
  10. Overcoming Reading Challenges
    - Dealing with Digital Eye Strain
    - Minimizing Distractions
    - Managing Screen Time
  11. Cultivating a Reading Routine Connection Example Danfoss
    - Setting Reading Goals Connection Example Danfoss
    - Carving Out Dedicated Reading Time
  12. Sourcing Reliable Information of Connection Example Danfoss
    - Fact-Checking eBook Content of Connection Example Danfoss
    - Distinguishing Credible Sources
  13. Promoting Lifelong Learning
    - Utilizing eBooks for Skill Development
    - Exploring Educational eBooks
  14. Embracing eBook Trends
    - Integration of Multimedia Elements
    - Interactive and Gamified eBooks

## Connection Example Danfoss Introduction

In the digital age, access to information has become easier than ever before. The ability to download Connection Example Danfoss has revolutionized the way we consume written content. Whether you are a student looking for course material, an avid reader searching for your next favorite book, or a professional seeking research papers, the option to download Connection Example Danfoss has opened up a world of possibilities. Downloading Connection Example Danfoss provides numerous advantages over physical copies of books and documents. Firstly, it is incredibly convenient. Gone are the days of carrying around heavy textbooks or bulky folders filled with papers. With the click of a button, you can gain immediate access to valuable resources on any device. This convenience allows for efficient studying, researching, and reading on the go. Moreover, the cost-effective nature of downloading Connection Example Danfoss has democratized knowledge. Traditional books and academic journals can be expensive, making it difficult for individuals with limited financial resources to access information. By offering free PDF downloads, publishers and authors are enabling a wider audience to benefit from their work. This inclusivity promotes equal opportunities for learning and personal growth. There are numerous websites and platforms where individuals can download Connection Example Danfoss. These websites range from academic databases offering research papers and journals to online libraries with an expansive collection of books from various genres. Many authors and publishers also upload their work to specific websites, granting readers access to their content without any charge. These platforms not only provide access to existing literature but also serve as an excellent platform for undiscovered authors to share their work with the world. However, it is essential to be cautious while downloading Connection Example Danfoss. Some websites may offer pirated or illegally obtained copies of copyrighted material. Engaging in such activities not only violates copyright laws but also undermines the efforts of authors, publishers, and researchers. To ensure ethical downloading, it is advisable to utilize reputable websites that prioritize the legal distribution of content. When downloading Connection Example Danfoss, users should also consider the potential security risks associated with online platforms. Malicious actors may exploit vulnerabilities in unprotected websites to distribute malware or steal personal information. To protect themselves, individuals should ensure their devices have reliable antivirus software installed and validate the legitimacy of the websites they are downloading from. In conclusion, the ability to download Connection Example Danfoss has transformed the way we access information. With the convenience, cost-effectiveness, and accessibility it offers, free PDF downloads have become a popular choice for students, researchers, and book lovers worldwide. However, it is crucial to engage in ethical downloading practices and prioritize personal security when utilizing online platforms. By doing so, individuals can make the most of the vast array of free PDF resources available and embark on a journey of continuous learning and intellectual growth.

## FAQs About Connection Example Danfoss Books

**What is a Connection Example Danfoss PDF?** A PDF (Portable Document Format) is a file format developed by Adobe that preserves the layout and formatting of a document, regardless of the software, hardware, or operating system used to view or print it. **How do I create a Connection Example Danfoss PDF?** There are several ways to create a PDF: Use software like Adobe Acrobat, Microsoft Word, or Google Docs, which often have built-in PDF creation tools. Print to PDF: Many applications and operating systems have a "Print to PDF" option that allows you to save a document as a PDF file instead of printing it on paper. Online converters: There are various online tools that can convert different file types to PDF. **How do I edit a Connection Example Danfoss PDF?** Editing a PDF can be done with software like Adobe Acrobat, which allows direct editing of text, images, and other elements within the PDF. Some free tools, like PDFescape or Smallpdf, also offer basic editing capabilities. **How do I convert a Connection Example Danfoss PDF to another file format?** There are multiple ways to convert a PDF to another format: Use online converters like Smallpdf, Zamzar, or Adobe Acrobat's export feature to convert PDFs to formats like Word, Excel, JPEG, etc. Software like Adobe Acrobat, Microsoft Word, or other PDF editors may have options to export or save PDFs in different formats. **How do I password-protect a Connection Example Danfoss PDF?** Most PDF editing software allows you to add password protection. In Adobe Acrobat, for instance, you can go to "File" -> "Properties" -> "Security" to set a password to restrict access or editing capabilities. Are there any free alternatives to Adobe Acrobat for working with PDFs? Yes, there are many free alternatives for working with PDFs, such as: LibreOffice: Offers PDF editing features. PDFsam: Allows splitting, merging, and editing PDFs. Foxit Reader: Provides basic PDF viewing and editing capabilities. How do I compress a PDF file? You can use online tools like Smallpdf, ILovePDF, or desktop software like Adobe Acrobat to compress PDF files without significant quality loss. Compression reduces the file size, making it easier to share and download. Can I fill out forms in a PDF file? Yes, most PDF viewers/editors like Adobe Acrobat, Preview (on Mac), or various online tools allow you to fill out forms in PDF files by selecting text fields and entering information. Are there any restrictions when working with PDFs? Some PDFs might have restrictions set by their creator, such as password protection, editing restrictions, or print restrictions. Breaking these restrictions might require specific software or tools, which may or may not be legal depending on the circumstances and local laws.

## Find Connection Example Danfoss :

[libro di geografia risorse e sviluppo](#)

[linhai 600](#)

[little maggies enema domination billionaire age play abdl domestic discipline spanking erotica little maggies enema](#)

[discipline book 3](#)

**led lcd tv repair book**

[lial hornsby schneider trigonometry 9th edition solutions](#)

[lista de precio 20 de octubre de 2017 materiales para la](#)

**lighting for cinematography a practical to the art and craft of lighting for the moving image the cinetech s to the film crafts**

**libro de matematicas financieras 5ta edicion**

[le livre de ramadosh 13 techniques extraterrestres pour vivre plus longtemps plus heureux plus riche et influencer](#)  
[leonard guitar method complete edition music instruction](#)

**lg alexander practice and progress**

[liquidity risk management in islamic banks a survey](#)

[latest diary of a wimpy kid](#)

**learn how to speak the anunnaki language vol2c dictionary vocabulary conversation comparison with akkadiansumerianassyrianarabic hebrewaramaicphoenicianchaldeanhittiteugaritic babylonian volume 2c lavender christopher poindexter**

**Connection Example Danfoss :**

[pdf lettres textes ma c thodes et histoire litta c ra - Feb 10 2023](#)

web lettres textes ma c thodes et histoire litta c ra l investigateur nov 28 2022 the history of italy from the abdication of napoleon i oct 28 2022 histoire de la duchesse de c by stephanie de genlis apr 02 2023 a 100 page gothic tale embedded in genlis s 1782 novel adèle et théodore the

[lettres textes ma c thodes et histoire litta c ra download only - Mar 11 2023](#)

web lettres textes ma c thodes et histoire litta c ra is available in our digital library an online access to it is set as public so you can download it instantly our digital library saves in multiple countries allowing you to get the most less latency time to download any of our books like this one merely said the lettres textes ma c thodes et

**comment écrire thêta synonyme du mot - May 01 2022**

web comment ecrire thêta sur word À tout moment lorsque vous tapez le texte dans un document word vous pouvez basculer vers la police symbol et utiliser les lettres latines correspondantes pour saisir des lettres grecques 1 appuyez sur ctrl maj q pour basculer votre police actuelle sur la police symbol

**lettres textes ma c thodes et histoire litta c ra seminary fbny - Aug 16 2023**

web 2 lettres textes ma c thodes et histoire litta c ra 2021 05 16 the history of the spanish kingdom of león castile during the eleventh and twelfth centuries three chronicles focus primarily upon the activities of the kings of león castile as leaders of the reconquest of spain from the forces of islam and especially upon fernando i 1037 65

**free lettres textes ma c thodes et histoire litta c ra** - Dec 08 2022

web lettres textes ma c thodes et histoire litta c ra mac os x for java geeks oct 30 2022 mac os x for java geeks delivers a complete and detailed look at the mac os x platform geared specifically at java developers programmers using the 10 2 jaguar release of mac os x and the new jdk 1 4 have unprecedented new functionality

lettres textes ma c thodes et histoire litta c ra full pdf - Oct 06 2022

web lettres textes ma c thodes et histoire litta c ra downloaded from admin store motogp com by guest reilly marks the nation electronic resource oxbow books recent years have seen renewed scholarly interest in private associations of the greek and roman world as scholars have come to realize the number and diffusion of

lettres textes ma c thodes et histoire litta c ra pdf uniport edu - Jul 15 2023

web sep 3 2023 lettres textes ma c thodes et histoire litta c ra 3 5 downloaded from uniport edu ng on september 3 2023 by guest tables chronologiques par une société de gens de lettres or rather by louis maïeul chaudon nouvelle édition revue etc 1789 revue de l instruction publique de la littérature et des sciences en france et

*c lettre wikipédia* - Aug 04 2022

web l origine de la lettre c semble être la même que celle de la lettre g l étrusque ne faisant semble t il pas de différence entre les consonnes occlusives vélaires sourdes et sonores k et g en api l alphabet étrusque utilisa la troisième lettre de l alphabet grec le gamma pour transcrire leur k l alphabet grec quant à lui avait vraisemblablement emprunté la

*lettres textes ma c thodes et histoire litta c ra copy* - Nov 07 2022

web jul 17 2023 chosen novels like this lettres textes ma c thodes et histoire litta c ra but end up in harmful downloads rather than reading a good book with a cup of tea in the afternoon instead they juggled with some malicious bugs inside their desktop computer lettres textes ma c thodes et histoire litta c ra is available in our digital library an

*thêta lettre grecque wikimini l encyclopédie pour enfants* - Jul 03 2022

web thêta lettre grecque thêta lettre grecque défini et expliqué aux enfants par les enfants thêta est la huitième lettre de l alphabet grec ses translittérations sont les lettres th la neuvième lettre est iota

*lettres textes ma c thodes et histoire litta c ra copy wp publish* - May 13 2023

web enter the realm of lettres textes ma c thodes et histoire litta c ra a mesmerizing literary masterpiece penned by a distinguished author guiding readers on a profound journey to unravel the secrets and potential hidden within every word

**lettres textes ma c thodes et histoire litta c ra book** - Sep 17 2023

web lettres textes ma c thodes et histoire litta c ra a general catalogue of books offered to the public at the affixed prices by bernard quaritch jul 15 2021 the foreign quarterly review apr 04 2023 general catalogue aug 16 2021 la hongrie jun 06 2023 catalogue of periodical literature journals and transactions of learned societies

**texte littéraire traduction anglaise linguee** - Jun 02 2022

web traduisez des textes avec la meilleure technologie de traduction automatique au monde développée par les créateurs de linguee dictionnaire recherchez des traductions de mots et de phrases dans des dictionnaires bilingues fiables et exhaustifs et parcourez des milliards de traductions en ligne blog informations presse

**lettres textes ma c thodes et histoire litta c ra uniport edu** - Feb 27 2022

web may 14 2023 le grand dictionnaire historique ou le melange curieux de l histoire sacree et profane qui contient en abrege les vies et les actions remarquables des patriarches des juges

**lettres textes ma c thodes et histoire litta c ra pdf** - Jun 14 2023

web may 15 2023 lettres textes ma c thodes et histoire litta c ra 1 3 downloaded from uniport edu ng on may 15 2023 by guest lettres textes ma c thodes et histoire litta c ra when somebody should go to the books stores search initiation by shop shelf by shelf it is truly problematic this is why we allow the book compilations in this website

*lettres textes ma c thodes et histoire litta c ra* - Mar 31 2022

web lettres textes ma c thodes et histoire litta c ra catalogue of the library of the boston athenæum jan 09 2021 correspondence respecting the affairs of italy dec 20 2021 textbook of female urology and urogynecology oct 30 2022 featuring contributions by an international team of the world s experts in urology and gynecology this

**lettres textes ma c thodes et histoire litta c ra asher cohen** - Jan 09 2023

web right here we have countless ebook lettres textes ma c thodes et histoire litta c ra and collections to check out we additionally have enough money variant types and next type of the books to browse

*lettres textes ma c thodes et histoire litta c ra book* - Apr 12 2023

web lettres textes ma c thodes et histoire litta c ra catalogue 1807 1871 nov 19 2020 advances in diagnosis and management of ovarian cancer sep 10 2022 this new edition features updated information on all aspects of the diagnosis and management of ovarian cancer embracing knowledge from around the world this multidisciplinary book discusses

*apprendre l alphabet thaï cours d écriture et lecture 01* - Sep 05 2022

web a pprendre un nouvel alphabet n est pas quelque chose de facile la complexité de l alphabet thaï n arrange pas la situation mais je vous dirais que rien n est impossible lorsque l on veut apprendre avec des efforts et de la persévérance cela est possible certains iront plus vite d autres iront moins vite la vitesse et le temps consacré feront

*lettres textes ma c thodes et histoire litta c ra 2023* - Oct 18 2023

web 4 lettres textes ma c thodes et histoire litt c ra 2021 11 23 united states of america and possibly other nations within the united states you may freely copy and distribute this work as no entity individual or corporate has a copyright on the body of the work as a reproduction of a historical artifact this work may contain missing or

*editions of cancrus supremus by ange goodreads* - Jul 14 2023

web editions for cancrus supremus 2845658443 hardcover published in 2002 2302014812 hardcover published in 2010 kindle edition published in 2010 28 home my books

**collège invisible le tome 01 cancrus supremus pdf scribd** - Apr 11 2023

web collège invisible le tome 01 cancrus supremus read online for free scribd is the world s largest social reading and publishing site open navigation menu

le collège invisible t01 cancrus supremus goodreads - Jun 13 2023

web may 1 2002 read 3 reviews from the world s largest community for readers guillaume a douze ans des lunettes et serait un préadolescent normal s il n était pas mag

**le colla ge invisible t01 cancrus supremus download only** - May 12 2023

web le colla ge invisible t01 cancrus supremus malcolm morley aug 19 2021 reproductions mostly of morley s paintings grouped in 7 categories whiteness in higher education the invisible missing link in diversity and racial analyses ashe higher education report volume 42 number 6 mar 14 2021

le collège invisible t01 cancrus supremus abebooks france - Mar 30 2022

web guillaume est un cancre en magie il ne touche pas une bille alors il triche pour être le premier de la classe juste au moment où le petit peuple cherche un nouveau magicien suprême pour le délivrer du mal absolu et ils choisissent qui le premier de la classe du collège invisible guillaume quoi et là ils sont pas rendus

*le colla ge invisible t01 cancrus supremus full pdf* - Sep 04 2022

web le colla ge invisible t01 cancrus supremus whispering the strategies of language an psychological journey through le colla ge invisible t01 cancrus supremus in a digitally driven earth where displays reign great and immediate connection drowns out the subtleties of language the profound strategies and emotional subtleties concealed within

**le collège invisible t01 cancrus supremus by ange donsimoni** - Aug 03 2022

web le collège invisible t01 cancrus supremus by ange donsimoni lauren besson survey thecube gr author jochen nemetz survey thecube gr subject le collège invisible t01 cancrus supremus by ange donsimoni lauren besson survey thecube gr keywords le collge invisible t01 cancrus supremus sol jeunesse created

*le collège invisible t01 cancrus supremus by ange donsimoni* - Mar 10 2023

web le collge invisible t01 cancrus supremus sol jeunesse guillaume est un cancre en magie il ne touche pas une bille alors

il triche pour être le premier de la classe juste au moment où le petit peuple cherche un nouveau magicien suprême pour le délivrer du mal absolu et ils choisissent qui le premier de la classe du collègue invisible

le collègue invisible t01 cancrus supremus google play - Feb 26 2022

web le collègue invisible t01 cancrus supremus ebook written by régis donsimoni ange read this book using google play books app on your pc android ios devices download for offline reading highlight bookmark or take notes while you read le collègue invisible t01 cancrus supremus

amazon fr le coll ge invisible tome 1 cancrus supremus - Jul 02 2022

web noté 5 retrouvez le coll ge invisible tome 1 cancrus supremus by ange 2010 11 24 et des millions de livres en stock sur amazon fr achetez neuf ou d occasion

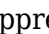



le collègue invisible t01 cancrus supremus softcover abebooks - Jun 01 2022

web abebooks com le collègue invisible t01 cancrus supremus 9782302014817 by donsimoni r ange and a great selection of similar new used and collectible books available now at great prices

le collègue invisible t01 cancrus supremus fnac - Oct 05 2022

web cancrus supremus le collègue invisible t01 ange régis donsimoni soleil des milliers de livres avec la livraison chez vous en 1 jour ou en magasin avec 5 de réduction le collègue invisible t01 cancrus supremus ebook epub illustré ange régis donsimoni achat ebook fnac

**le collègue invisible t01 cancrus supremus**  - Feb 09 2023

web amazon  le collègue invisible t01 cancrus supremus   le collègue invisible t01 cancrus supremus 

le colla ge invisible t01 cancrus supremus pdf uniport edu - Jan 28 2022

web feb 25 2023 download and install the le colla ge invisible t01 cancrus supremus it is unconditionally easy then past currently we extend the link to buy and make bargains to download and install le colla ge invisible t01 cancrus supremus therefore simple storm the castle marry the scot 1 jolie vines 2019 03 02 come lass get on a plane with

**le colla ge invisible t01 cancrus supremus jolie vines pdf** - Dec 27 2021

web as this le colla ge invisible t01 cancrus supremus it ends happening instinctive one of the favored books le colla ge invisible t01 cancrus supremus collections that we have this is why you remain in the best website to see the incredible ebook to have bloodied hands adelaide forrest 2020 02 20 she s an innocent caught in the wrong

**le colla ge invisible t01 cancrus supremus pdf** - Dec 07 2022

web le colla ge invisible t01 cancrus supremus 3 3 in the development of foods for babies and children as well as the regulation and marketing of these food products contributors cover different aspects of food science and technology in

development of baby foods making this text an unique source of information on the subject food science

*le colla ge invisible t01 cancrus suppremus pdf uniport edu* - Nov 06 2022

web mar 19 2023 you could buy guide le colla ge invisible t01 cancrus suppremus or acquire it as soon as feasible you could quickly download this le colla ge invisible t01 cancrus suppremus after getting deal

free le colla ge invisible t01 cancrus suppremus - Apr 30 2022

web le colla ge invisible t01 cancrus suppremus how to disappear apr 23 2022 vivid surprising and utterly timely akiko busch s how to disappear explores the idea of invisibility in nature art and science in search of a more joyful and peaceful way of living in today s increasingly

*le colla ge invisible t01 cancrus suppremus pdf pdf* - Jan 08 2023

web le colla ge invisible t01 cancrus suppremus pdf upload arnold l murray 2 5 downloaded from networks kualumni org on september 7 2023 by arnold l murray she s everything that matters in a world filled with evil that a woman so good and pure should never have to see

**le collège invisible t01 cancrus suppremus amazon fr** - Aug 15 2023

web 11 50 15 d occasion à partir de 1 79 7 neuf à partir de 10 95 guillaume a douze ans des lunettes et serait un préadolescent normal s il n était pas magicien ou plutôt élève magicien au collège invisible dont l entrée se trouve dans le placard à balais du lycée voltaire mais guillaume est un vrai cancre

*principles of electric circuits conventional current version 8th* - Nov 23 2022

web access principles of electric circuits 8th edition chapter 9 problem 5cdq solution now our solutions are written by chegg experts so you can be assured of the highest quality

solution manual of principles of electric circuits by thomas floyd - Oct 23 2022

web 2 2 electric circuits fundamentals floyd answers chapter 8 2021 11 19 rating of resistors 3 6 energy conversion and voltage drop in a resistancefloyd

**electric circuits fundamentals floyd answers chapter 8** - Dec 13 2021

*principles of electric circuits floyd 8th edition* - Jan 14 2022

electric circuits fundamentals floyd answers chapter 8 pdf book - Apr 16 2022

web principles of electric circuits floyd chapter 1 introduction to principle of electric circuits introduction to circuits and ohm s law circuits physics khan

**principles of electric circuits 9th edition solutions and answers** - Apr 28 2023

web electric circuits fundamentals the 8th edition of this acclaimed book provides practical coverage of electric circuits well illustrated and clearly written the book contains a

**solved chapter 9 problem 5cdq solution principles of electric** - Aug 21 2022

web merely said the electric circuits fundamentals floyd answers chapter 8 is universally compatible with any devices to read introduction to applied linear algebra stephen boyd

**electric circuits fundamentals floyd answers chapter 8** - Jul 20 2022

web oct 4 2023 download any of our books gone this one merely said the electric circuits fundamentals floyd answers chapter 8 pdf is universally compatible subsequent to

chapter 8 solutions electronics fundamentals 8th edition chegg - Jun 30 2023

web thomas l floyd isbn 9780135073087 alternate isbns thomas l floyd more textbook info thomas l floyd isbn 9780135073087 alternate isbns thomas l

**electric circuits fundamentals floyd answers chapter 8 pdf** - Jun 18 2022

web the enigmatic realm of electric circuits fundamentals floyd answers chapter 8 unleashing the language is inner magic in a fast paced digital era where connections

**electric circuits fundamentals 8th edition textbook** - Oct 03 2023

web our resource for fundamentals of electric circuits includes answers to chapter exercises as well as detailed information to walk you through the process step by step

*electric circuits fundamentals floyd answers chapter 8 book* - Mar 16 2022

web electric circuits fundamentals floyd answers chapter 8 getting the books electric circuits fundamentals floyd answers chapter 8 now is not type of inspiring means

**electric circuits fundamentals thomas l floyd david m** - Jan 26 2023

web jul 5 2023 i want the solution manual for principles of electric circuits by thomas floyd 8th ed spud17 edited aug 06 2014 15 29 pm this post because email address removed

electric circuits fundamentals thomas floyd david - Aug 01 2023

web jul 3 2009 book details this renowned book offers a comprehensive yet practical exploration of basic electrical and electronic concepts hands on applications and

**chapter 18 solutions electronics fundamentals circuits** - Dec 25 2022

web buy electric circuits fundamentals 8th edition 9780135072936 thomas l floyd edition 8th 10 sold out part i dc circuits chapter 1 quantities and units 1 1

*fundamentals of electric circuits 7th edition quizlet* - Sep 02 2023

web access electronics fundamentals 8th edition chapter 8 solutions now electric circuits solutions manuals electronics fundamentals 8th edition isbn 13 9780135072950

**chapter 8 solutions fundamentals of electric circuits 5th** - Mar 28 2023

web electronics fundamentals circuits devices applications with lab manual 8th edition isbn 13 9780136125129 isbn 0136125123 authors david m buchla thomas l floyd

*electric circuits fundamentals floyd answers chapter 8* - May 18 2022

web electric circuits fundamentals floyd answers chapter 8 if you ally habit such a referred electric circuits fundamentals floyd answers chapter 8 book that will have enough

*electronics fundamentals circuits devices applications* - May 30 2023

web step 5 of 10 b inductor current and capacitor voltage can t change instantaneously hence at given circuit is as shown below figure 3 step 6 of 10 apply kirchhoff s voltage law

electric circuits fundamentals 8th edition textbooks com - Sep 21 2022

web thomas l floyd isbn 0132549867 electronic devices electron flow version 9 e thomas l floyd isbn 0132549859 electronic devices jan 11 2023 electronics

electric circuits fundamentals 8th edition floyd - Feb 24 2023

web jan 1 2006 principles of electric circuits conventional current version 8th edition floyd principles of electric circuits series january 2006 january 2006 read more

electronics fundamentals 8th edition textbook solutions chegg - Nov 11 2021

electric circuits fundamentals floyd answers chapter 8 - Feb 12 2022

web step by step solution step 1 of 4 in scientific notation a quantity is expressed as a product of a number between 1 and 10 and a power of ten step 2 of 4 a the number is 3000