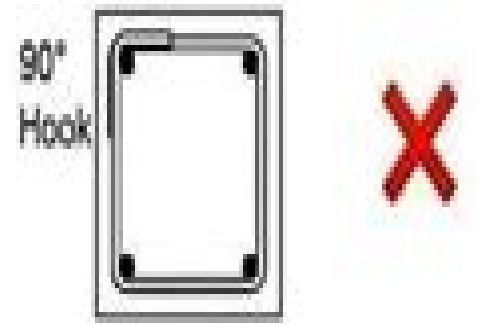
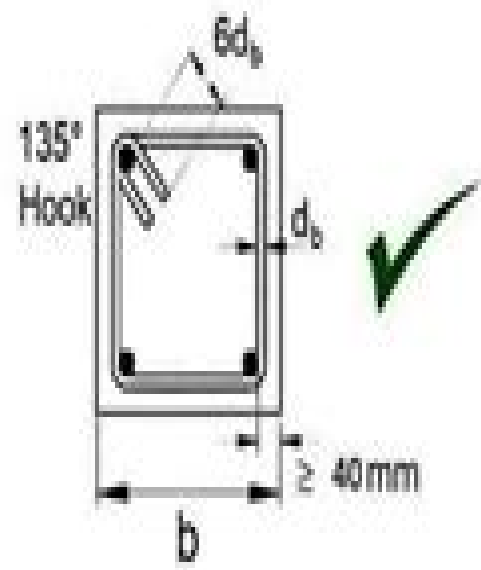
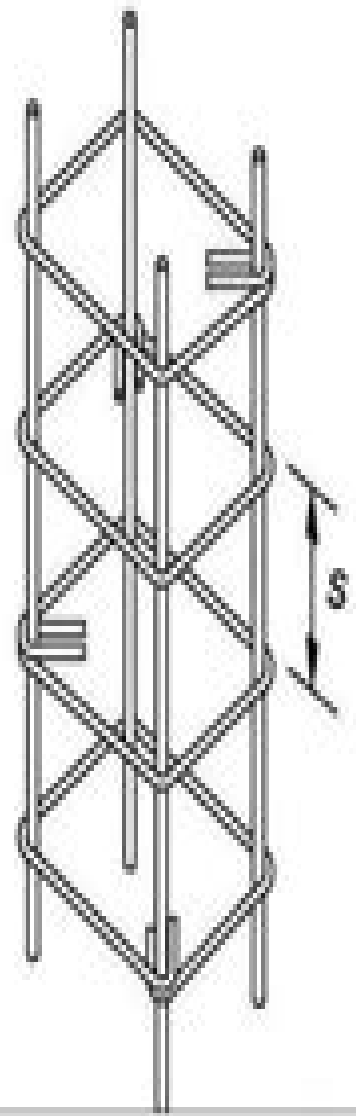
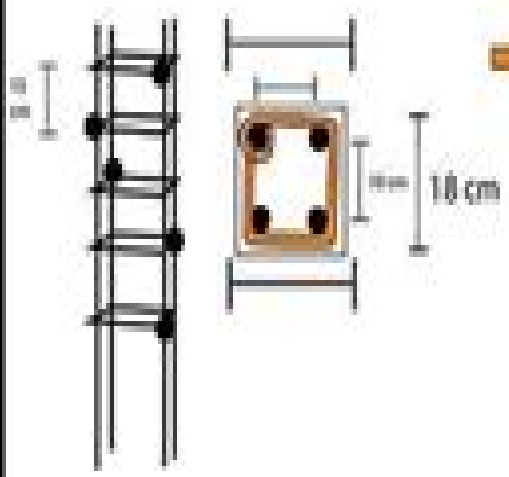


Civil Engineering Basic Knowledge - Formulas

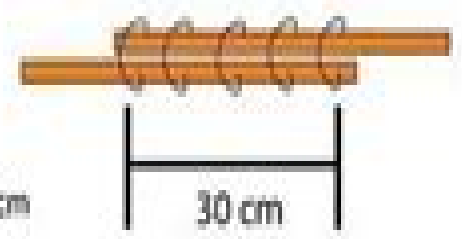
Basic Formulas | Interview Question and Answers | Site Knowledge | QS Knowledge



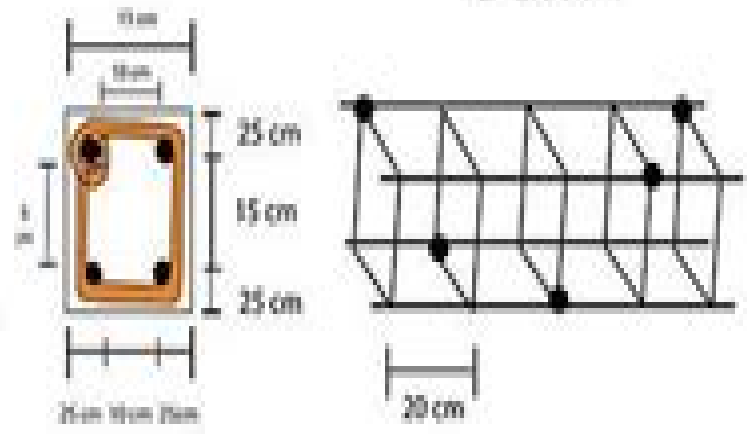
Column



Overlap



Beam



Basic Civil Engineering Tech Max

Albert A Gayle



Basic Civil Engineering Tech Max:

Thank you enormously much for downloading **Basic Civil Engineering Tech Max**. Most likely you have knowledge that, people have seen numerous times for their favorite books in the manner of this Basic Civil Engineering Tech Max, but stop stirring in harmful downloads.

Rather than enjoying a fine PDF following a mug of coffee in the afternoon, on the other hand they juggled bearing in mind some harmful virus inside their computer. **Basic Civil Engineering Tech Max** is to hand in our digital library an online entrance to it is set as public therefore you can download it instantly. Our digital library saves in multiple countries, allowing you to get the most less latency times to download any of our books taking into consideration this one. Merely said, the Basic Civil Engineering Tech Max is universally compatible like any devices to read.

<https://py.bijouxmedusa.com/book/scholarship/Documents/Pendulum%20Clock%20Gizmo%20Answers.pdf>

Table of Contents Basic Civil Engineering Tech Max

1. Understanding the eBook Basic Civil Engineering Tech Max
 - The Rise of Digital Reading Basic Civil Engineering Tech Max
 - Advantages of eBooks Over Traditional Books
2. Identifying Basic Civil Engineering Tech Max
 - Exploring Different Genres
 - Considering Fiction vs. Non-Fiction
 - Determining Your Reading Goals
3. Choosing the Right eBook Platform
 - Popular eBook Platforms
 - Features to Look for in an Basic Civil Engineering Tech Max
 - User-Friendly Interface
4. Exploring eBook Recommendations from Basic Civil Engineering Tech Max
 - Personalized Recommendations
 - Basic Civil Engineering Tech Max User Reviews and Ratings

- Basic Civil Engineering Tech Max and Bestseller Lists
- 5. Accessing Basic Civil Engineering Tech Max Free and Paid eBooks
 - Basic Civil Engineering Tech Max Public Domain eBooks
 - Basic Civil Engineering Tech Max eBook Subscription Services
 - Basic Civil Engineering Tech Max Budget-Friendly Options
- 6. Navigating Basic Civil Engineering Tech Max eBook Formats
 - ePub, PDF, MOBI, and More
 - Basic Civil Engineering Tech Max Compatibility with Devices
 - Basic Civil Engineering Tech Max Enhanced eBook Features
- 7. Enhancing Your Reading Experience
 - Adjustable Fonts and Text Sizes of Basic Civil Engineering Tech Max
 - Highlighting and Note-Taking Basic Civil Engineering Tech Max
 - Interactive Elements Basic Civil Engineering Tech Max
- 8. Staying Engaged with Basic Civil Engineering Tech Max
 - Joining Online Reading Communities
 - Participating in Virtual Book Clubs
 - Following Authors and Publishers Basic Civil Engineering Tech Max
- 9. Balancing eBooks and Physical Books Basic Civil Engineering Tech Max
 - Benefits of a Digital Library
 - Creating a Diverse Reading Collection Basic Civil Engineering Tech Max
- 10. Overcoming Reading Challenges
 - Dealing with Digital Eye Strain
 - Minimizing Distractions
 - Managing Screen Time
- 11. Cultivating a Reading Routine Basic Civil Engineering Tech Max
 - Setting Reading Goals Basic Civil Engineering Tech Max
 - Carving Out Dedicated Reading Time
- 12. Sourcing Reliable Information of Basic Civil Engineering Tech Max
 - Fact-Checking eBook Content of Basic Civil Engineering Tech Max
 - Distinguishing Credible Sources

13. Promoting Lifelong Learning
 - Utilizing eBooks for Skill Development
 - Exploring Educational eBooks
14. Embracing eBook Trends
 - Integration of Multimedia Elements
 - Interactive and Gamified eBooks

Basic Civil Engineering Tech Max Introduction

In today's digital age, the availability of Basic Civil Engineering Tech Max books and manuals for download has revolutionized the way we access information. Gone are the days of physically flipping through pages and carrying heavy textbooks or manuals. With just a few clicks, we can now access a wealth of knowledge from the comfort of our own homes or on the go. This article will explore the advantages of Basic Civil Engineering Tech Max books and manuals for download, along with some popular platforms that offer these resources. One of the significant advantages of Basic Civil Engineering Tech Max books and manuals for download is the cost-saving aspect. Traditional books and manuals can be costly, especially if you need to purchase several of them for educational or professional purposes. By accessing Basic Civil Engineering Tech Max versions, you eliminate the need to spend money on physical copies. This not only saves you money but also reduces the environmental impact associated with book production and transportation. Furthermore, Basic Civil Engineering Tech Max books and manuals for download are incredibly convenient. With just a computer or smartphone and an internet connection, you can access a vast library of resources on any subject imaginable. Whether you're a student looking for textbooks, a professional seeking industry-specific manuals, or someone interested in self-improvement, these digital resources provide an efficient and accessible means of acquiring knowledge. Moreover, PDF books and manuals offer a range of benefits compared to other digital formats. PDF files are designed to retain their formatting regardless of the device used to open them. This ensures that the content appears exactly as intended by the author, with no loss of formatting or missing graphics. Additionally, PDF files can be easily annotated, bookmarked, and searched for specific terms, making them highly practical for studying or referencing. When it comes to accessing Basic Civil Engineering Tech Max books and manuals, several platforms offer an extensive collection of resources. One such platform is Project Gutenberg, a nonprofit organization that provides over 60,000 free eBooks. These books are primarily in the public domain, meaning they can be freely distributed and downloaded. Project Gutenberg offers a wide range of classic literature, making it an excellent resource for literature enthusiasts. Another popular platform for Basic Civil Engineering Tech Max books and manuals is Open Library. Open Library is an initiative of the Internet Archive, a non-profit organization dedicated to digitizing cultural artifacts and making

them accessible to the public. Open Library hosts millions of books, including both public domain works and contemporary titles. It also allows users to borrow digital copies of certain books for a limited period, similar to a library lending system. Additionally, many universities and educational institutions have their own digital libraries that provide free access to PDF books and manuals. These libraries often offer academic texts, research papers, and technical manuals, making them invaluable resources for students and researchers. Some notable examples include MIT OpenCourseWare, which offers free access to course materials from the Massachusetts Institute of Technology, and the Digital Public Library of America, which provides a vast collection of digitized books and historical documents. In conclusion, Basic Civil Engineering Tech Max books and manuals for download have transformed the way we access information. They provide a cost-effective and convenient means of acquiring knowledge, offering the ability to access a vast library of resources at our fingertips. With platforms like Project Gutenberg, Open Library, and various digital libraries offered by educational institutions, we have access to an ever-expanding collection of books and manuals. Whether for educational, professional, or personal purposes, these digital resources serve as valuable tools for continuous learning and self-improvement. So why not take advantage of the vast world of Basic Civil Engineering Tech Max books and manuals for download and embark on your journey of knowledge?

FAQs About Basic Civil Engineering Tech Max Books

How do I know which eBook platform is the best for me? Finding the best eBook platform depends on your reading preferences and device compatibility. Research different platforms, read user reviews, and explore their features before making a choice. Are free eBooks of good quality? Yes, many reputable platforms offer high-quality free eBooks, including classics and public domain works. However, make sure to verify the source to ensure the eBook credibility. Can I read eBooks without an eReader? Absolutely! Most eBook platforms offer web-based readers or mobile apps that allow you to read eBooks on your computer, tablet, or smartphone. How do I avoid digital eye strain while reading eBooks? To prevent digital eye strain, take regular breaks, adjust the font size and background color, and ensure proper lighting while reading eBooks. What the advantage of interactive eBooks? Interactive eBooks incorporate multimedia elements, quizzes, and activities, enhancing the reader engagement and providing a more immersive learning experience. Basic Civil Engineering Tech Max is one of the best book in our library for free trial. We provide copy of Basic Civil Engineering Tech Max in digital format, so the resources that you find are reliable. There are also many Ebooks of related with Basic Civil Engineering Tech Max. Where to download Basic Civil Engineering Tech Max online for free? Are you looking for Basic Civil Engineering Tech Max PDF? This is definitely going to save you time and cash in something you should think about.

Find Basic Civil Engineering Tech Max :

[pendulum clock gizmo answers](#)

[pharmaceutical engineering book cvs subrahmanyam](#)

[physical metallurgy principles solution manual download](#)

posicoes de yoga para iniciantes

[petronas towers the architecture of high construction](#)

piratebay to torrents music movies games

pin failure in shear vs bending for a double shear joint

pmbok italiano 5 edizione

pm benchmark levels comparison chart probe

politics in the european union

physiology with student consult online access 5e costanzo physiology

physical activity and health an interactive approach

pharmacogenomics applications to patient care

[philips tv change source resolution](#)

power plant engineering by r yadav

Basic Civil Engineering Tech Max :

regrow neue ernte aus gemüseresten von avocado bis - Jan 07 2023

web pdf file book regrow neue ernte aus gemuseresten von avocado bi only if you are registered here download and read

online regrow neue ernte aus gemuseresten

regrow neue ernte aus gemüseresten von avocado bis - Jan 27 2022

web bedenklich die in deutschland erhältlichen avocados stammen mehrheitlich aus peru regrow neue ernte aus

gemuseresten von avocado bis zwiebel die unkomplizierte

regrow neue ernte aus gemüseresten von avocado bis - Aug 14 2023

web regrow neue ernte aus gemüseresten von avocado bis zwiebel die unkomplizierte nachzucht aus samen wurzeln stängeln

oder blättern auf balkon terrasse oder fensterbrett elzer peters katie hensel wolfgang isbn 9783809441632

regrow neue ernte aus gemüseresten von avocado bis - Sep 03 2022

web exotische frucht wissen avocado regrow avocados pflanzen mit der floragard bio erde beerenobst avocadokern

einpflanzen und avocado als pflanze zÄ¼chten avocado

regrow neue ernte aus gemuseresten von avocado bi - Feb 25 2022

web jun 21 2023 regrow neue ernte aus gemuseresten von avocado bis zwiebel die unkomplizierte nachzucht aus samen wurzeln stängeln oder blättern im blumentopf

regrow neue ernte aus gemuseresten von avocado bis - May 31 2022

web jun 19 2023 regrow neue ernte aus gemuseresten von avocado bis zwiebel die unkomplizierte nachzucht aus samen wurzeln stängeln oder blättern im blumentopf

regrow neue ernte aus gemuseresten von avocado bis - Feb 08 2023

web jul 27 2023 regrow neue ernte aus gemuseresten von avocado bis zwiebel die unkomplizierte nachzucht aus samen wurzeln stängeln oder blättern im blumentopf

regrow neue ernte aus gemuseresten von avocado bi pdf - Nov 05 2022

web regrow neue ernte aus gemuseresten von avocado bis zwiebel die unkomplizierte nachzucht aus samen wurzeln stängeln oder blättern im blumentopf auf balkon

downloaded regrow neue ernte aus gemuseresten von - May 11 2023

web regrow neue ernte aus gemuseresten von avocado bis zwiebel die unkomplizierte nachzucht aus samen wurzeln stängeln oder blättern im blumentopf auf balkon

regrow neue ernte aus gemuseresten von avocado bis - Apr 10 2023

web jun 17 2023 tisch pflegt die haut und schmückt als zimmerpflanze das fensterbrett im folgenden erklären wir mit welchen methoden sie e regrow neue ernte aus

trend regrowing neue pflanzen aus gemuseresten - Mar 29 2022

web regrow neue ernte aus gemuseresten von avocado bi downloaded from music school fbny org by guest doyle lewis watching from the dark linguistic insights life

regrow neue ernte aus gemã seresten von avocado bis - Aug 02 2022

web jul 26 2023 regrow neue ernte aus gemuseresten von avocado bi if you ally obsession such a referred regrow neue ernte aus gemuseresten von avocado bi

regrowing aus gemusereste so wird altes gemüse wieder neu - Oct 24 2021

web bei diesen gemuseresten funktioniert regrowing um gemüse und obst zuhause nachzuzüchten benötigt man nicht unbedingt einen grünen daumen in nur wenigen

regrow neue ernte aus gemuseresten von avocado bi pdf - Dec 06 2022

web regrow neue ernte aus gemuseresten von avocado bi is simple in our digital library an online permission to it is set as

public hence you can download it instantly our digital

regrow schritt für schritt gemüse nachwachsen lassen gesal - Nov 24 2021

web jul 9 2022 aus altem gemüse was neues wachsen lassen scarlet allenspach zeigt wie es geht ob zwiebeln kurkuma oder rüebli und lauch meist landen gemüsereste im

regrow neue ernte aus gemüseresten von avocado bi pdf - Jul 01 2022

web jun 16 2023 regrow neue ernte aus gemüseresten von avocado bis zwiebel die unkomplizierte nachzucht aus samen wurzeln stängeln oder blättern im blumentopf

regrow neue ernte aus gemüseresten von avocado bis - Dec 26 2021

web regrow auf deutsch nachwachsen heisst aus gemüseresten neue pflanzen wachsen zu lassen denn in gemüseresten steckt sehr viel potential mit ein wenig geduld und

regrow neue ernte aus gemüseresten von avocado bis - Mar 09 2023

web regrow neue ernte aus gemüseresten von avocado bis zwiebel die unkomplizierte nachzucht aus samen wurzeln stängeln oder blättern im blumentopf auf balkon

regrow neue ernte aus gemüseresten von avocado bis - Apr 29 2022

web das grundprinzip von regrowing ist ein einfaches gemüsereste die sonst im müll landen würden werden mit einfachen methoden vermehrt und wachsen so zu neuen pflanzen

regrow bei welchen gemüseresten funktioniert das - Sep 22 2021

regrow neue ernte aus gemüseresten von avocado bis - Oct 04 2022

web viel zu schade für die tonne aus avocadokernen salatstrüngen und 25 anderen gemüseresten lassen sich mit wenig aufwand und dem nötigen know how neue

regrow neue ernte aus gemüseresten von avocado bis - Jun 12 2023

web bewertung 4 4 von 5 basierend auf 143 sternbewertungen isbn 10 3809441635 isbn 13 9783809441632 sprache deutsch e book format pdf epub kindle audio

regrow neue ernte aus gemüseresten von - Jul 13 2023

web regrow neue ernte aus gemüseresten von avocado bis zwiebel die unkomplizierte nachzucht aus samen wurzeln stängeln oder blättern viel zu schade für die

f8 kaplan audit and assurance aa study text and - Apr 16 2022

web sep 15 2021 acca f8 aa audit and assurance teaches students the skills necessary to work as an external auditor then there s a smaller section on internal audit followed by another on corporate governance and audit because corporate

governance is a hot topic at the acca it appears in numerous papers

kaplan acca p8 study text 2013 book - Mar 16 2022

web constant assault of sound and distractions yet nestled within the lyrical pages of kaplan acca p8 study text 2013 a charming work of literary brilliance that pulses with fresh feelings lies an unique trip waiting to be embarked upon written by a virtuoso wordsmith this enchanting opus guides

kaplan acca p8 study text 2013 download only ftp dartgo - Aug 01 2023

web kaplan acca p8 study text 2013 1 kaplan acca p8 study text 2013 somatic mutation genomic variation and neurological disease preoperative immune landscape predisposes adverse outcomes in hepatocellular carcinoma patients with liver transplantation kaplan acca p8 study text single cell transcriptional changes associated

acca f8 audit and assurance - Jan 26 2023

web 1 acca f8 audit and assurance 1 1 introduction 1 1 1 studying for the f8 exam 1 1 2 using the kaplan financial knowledge bank 1 2 the acca f8 syllabus 1 2 1 a audit framework and regulation 1 2 2 b internal audit 1 2 3 c planning and risk assessment 1 2 4 d internal control 1 2 5 e audit evidence 1 2 6 f review 1 2 7 g reporting

acca f8 audit and assurance int study text pdf - Jun 30 2023

web feb 28 2021 if they act illegally and unethically in one area can you really trust them f introduction v how the bpp acca approved study text can help you pass your exams and help you with your practical experience requirement new feature

kaplan acca p8 study text 2013 pdf uniport edu - Oct 03 2023

web apr 22 2023 kaplan acca p8 study text 2013 1 7 downloaded from uniport edu ng on april 22 2023 by guest kaplan acca p8 study text 2013 getting the books kaplan acca p8 study text 2013 now is not type of challenging means you could not forlorn going similar to book stock or library or borrowing from your links to admittance them this

study text for acca audit and assurance aa kaplan publishing - Feb 24 2023

web the acca audit and assurance study text teaches you the process of carrying out an assurance engagement and the unpinning regulatory framework included are knowledge checks to strengthen your understanding guidance from acca and exam style questions

acca advanced audit and assurance aaa study text - Jun 18 2022

web sep 1 2023 acca advanced audit and assurance aaa study text valid from 01 september 2023 to 31 august 2024 the study text includes all the information included on the course as well as working examples and practice questions us 50 00

f8 kaplan study text acca globalbox - Apr 28 2023

web 1 what f8 audit and assurance is about the purpose of the f8 audit and assurance syllabus is to support understanding and appreciation of the manner of carrying out the assurance engagement and its application in the context of the expert

regulatory framework the syllabus is divided into 5 crucial sections audit framework and law

kaplan acca p8 study text 2013 klongkhan - Jul 20 2022

web jun 7 2023 this kaplan acca p8 study text 2013 as one of the most operational sellers here will entirely be joined by the best alternatives to review it will without a doubt misuse the time

kaplan acca p8 study text 2013 virtualevents straumann com - May 18 2022

web sep 4 2023 title kaplan acca p8 study text 2013 author virtualevents straumann com 2023 09 04 08 48 59 subject kaplan acca p8 study text 2013 keywords kaplan acca p8 study text 2013

f8 study text kaplan acca globalbox - Mar 28 2023

web last week s most visited posts menu footer widget home about contact us

kaplan acca p8 study text 2013 pdf 2023 dev ivhnh org - Sep 21 2022

web mar 25 2023 text offers students a clear well structured and comprehensive treatment of the subject supported by illustrations and exercises the book provides a strong balance of theoretical and conceptual coverage

f8 aa kaplan study text 2020 21 by - Nov 23 2022

web studylib documents flashcards chrome extension login upload document create flashcards no category uploaded by usama fida f8 aa kaplan study text 2020 21 by accaglobalbox com advertisement

acca aa audit and assurance study text acca series kaplan - Dec 25 2022

web description the acca audit and assurance study text teaches you the process of carrying out an assurance engagement and the unpinning regulatory framework included are knowledge checks to strengthen your understanding guidance from acca and exam style questions

acca f8 notes download pdf notes audit and assurance - Aug 21 2022

web acca f8 notes download pdf notes acca paper f8 audit and assurance acca f8 notes download pdf notes acca paper f8 audit and assurance these course notes are not meant to replace study texts text book of kaplan and bpp after memorising ur provided course notes and if it is then which one is preferable kaplan or bpp thnx in

kaplan acca p8 study text 2013 donate pfi org - Oct 23 2022

web textbook created from the ground up for these modern accounting teaching and learning concepts an introduction to accounting accountability in organisations and society takes a unique approach in embracing from the start the notion of accountability for the environment and sustainability in

acca books and study materials kaplan publishing - Sep 02 2023

web study practise and revise with our acca study materials acca books pocket notes revision kits with past exam papers plus short video lectures straightforward resources always kept up to date to help you feel exam confident kaplan is one of only

two acca approved publishers

cooler master - May 30 2023

web object moved this document may be found here

[kaplan acca p8 study text 2013 elizabethmissionary](#) - Feb 12 2022

web this kaplan acca p8 study text 2013 as one of the predominant running sellers here will entirely be associated with by the best options to review if you effort to acquire and configure the kaplan acca p8 study text 2013 it is totally basic then at present we extend the associate to buy and create bargains to retrieve and configure kaplan

nclex ethics legal mastery 100 nursing practice q mary c - Mar 30 2022

web 100 nursing practice q below code of ethics for nurses with interpretive statements american nurses association 2001 pamphlet is a succinct statement of the ethical obligations and duties of individuals who enter the nursing profession the profession s nonnegotiable ethical standard and an expression of nursing s own understanding of its

nclex ethics legal mastery 100 nursing practice q cathy melfi - Apr 11 2023

web line this online statement nclex ethics legal mastery 100 nursing practice q can be one of the options to accompany you gone having supplementary time it will not waste your time agree to me the e book will extremely ventilate you further matter to read just invest little grow old to open this on line broadcast nclex ethics legal mastery

nclex practice exam for legal ethical cultural nursing - Feb 09 2023

web nclex practice exam for legal ethical cultural nursing jurisprudence practice mode exam mode text mode practice mode questions and choices are randomly arranged the answer is revealed instantly after each question and there is no time limit for the exam choose the letter of the correct answer good luck

[what is the nclex what you need to know about this key nursing](#) - Feb 26 2022

web the short answer is basically anyone who wants to work as a nurse will be required to take and pass the nclex exam as we mentioned earlier there are two distinct forms of the nclex exam based on education level those who hold a practical nursing diploma in the hopes of becoming a licensed practical nurse lpn must pass the nclex pn

nclex ethics legal mastery 100 nursing practice q - Aug 03 2022

web nclex ethics legal mastery 100 nursing practice q the nurse evaluator in education and service may 05 2023 a caring advanced practice nursing model oct 06 2020 this book introduces readers to the basics of advanced practice nursing apn which offers expanded clinical competence that can help improve the quality of health and care services

nclex masters nclex rn exam prep test questions free nclex - Dec 07 2022

web nclex rn exam free prep online unlimited questions time free 25 100 265 360 quizzes nclex examination preparation tests usa nurses nclex nclex masters best prep for successful passing of nclex exam at first attempt

nclex ethics legal mastery 100 nursing practice q pdf cathy - Jul 14 2023

web apr 28 2023 nclex ethics legal mastery 100 nursing practice q pdf getting the books nclex ethics legal mastery 100 nursing practice q pdf now is not type of inspiring means you could not on your own going later book accretion or library or borrowing from your friends to contact them this is an unconditionally simple means to specifically get

nclex ethics legal mastery 100 nursing practice q pdf - Mar 10 2023

web may 13 2023 download and install nclex ethics legal mastery 100 nursing practice q therefore simple skill checklists for fundamentals of nursing carol lillis 2010 11 this workbook allows students to practice and record the mastery of skills found in taylor s fundamentals of nursing seventh edition by providing

nclex ethics legal mastery 100 nursing practice q 2022 - Apr 30 2022

web this nclex ethics legal mastery 100 nursing practice q as one of the most operational sellers here will certainly be among the best options to review nclex ethics legal mastery 100 nursing practice q downloaded from africanamericanstudies coas howard edu by

nclex ethics legal mastery 100 nursing practice q pdf - Jan 08 2023

web nclex ethics legal mastery 100 nursing practice q pdf right here we have countless book nclex ethics legal mastery 100 nursing practice q pdf and collections to check out we additionally provide variant types and along with type of the books to browse

nclex ethics legal mastery 100 nursing practice q copy - Dec 27 2021

web jun 14 2023 nclex ethics legal mastery 100 nursing practice q is available in our book collection an online access to it is set as public so you can get it instantly our books collection hosts in multiple locations allowing you to get the most

nclex ethics legal mastery 100 nursing practice q martha - Oct 05 2022

web nclex ethics legal mastery 100 nursing practice q when somebody should go to the book stores search foundation by shop shelf by shelf it is in fact problematic this is why we allow the books compilations in this website it will enormously ease you to look guide nclex ethics legal mastery 100 nursing practice q as you such as

nclex ethics legal mastery 100 nursing practice q richard - Jun 01 2022

web to download and install nclex ethics legal mastery 100 nursing practice q hence simple nclex pn prep plus kaplan nursing 2020 03 03 the nclex pn exam is not just about what you know it s about how you think kaplan s nclex pn prep plus uses expert critical thinking strategies and targeted sample questions to help you put your expertise into

nclex ethics legal mastery 100 nursing practice q - Jun 13 2023

web mar 1 2023 you could quickly download this nclex ethics legal mastery 100 nursing practice q after getting deal so as soon as you require the book swiftly you can straight get it its thus utterly easy and thus fats isnt it you have to favor to in

this sky edef s nclex rn review edna b domingo 2012 05 02

legal ethical and cultural considerations quiz proprofs quiz - Nov 06 2022

web mar 22 2023 ethical principles for professional nursing practice in a clinical setting are guided by the principles of conduct that are written as the a american nurses association s ana s code of ethics b nurse practice act npa written by state legislation c standards of care from experts in the practice field d

nclex ethics legal mastery 100 nursing practice q ftp bonide - Sep 04 2022

web nclex ethics legal mastery 100 nursing practice q 1 nclex ethics legal mastery 100 nursing practice q the comprehensive nclex rn review 18th edition saunders comprehensive review for the nclex rn examination 100 questions and answers about research ethics family nurse practitioner certification intensive review

nclex ethics legal mastery 100 nursing practice q 2022 - May 12 2023

web 2 nclex ethics legal mastery 100 nursing practice q 2020 06 18 nclex ethics legal mastery 100 nursing practice q downloaded from ftp bonide com by guest carmelo townsend contemporary nursing issues trends management 6 peterson s the future of nursing explores how nurses roles responsibilities and education should

nclex ethics legal mastery 100 nursing practice questions - Aug 15 2023

web nov 1 2016 in this book nclex ethics legal mastery 100 nursing practice questions rationales to easily crush the nclex discover exactly how to eliminate the fear of failure practice nclex questions to have more certainty finally have the confidence to pass the nclex with ease strengthen your ability to answer

nclex ethics legal mastery 100 nursing practice q pdf - Jul 02 2022

web jul 6 2023 nclex ethics legal mastery 100 nursing practice q 2 11 downloaded from uniport edu ng on july 6 2023 by guest nursing practice nurse as educator susan bacorn bastable 2008 designed to teach nurses about the development motivational and sociocultural differences that affect teaching and learning this text combines

nclex ethics legal mastery 100 nursing practice q pdf - Jan 28 2022

web jul 8 2023 ethics legal mastery 100 nursing practice q and numerous books collections from fictions to scientific research in any way among them is this nclex ethics legal mastery 100 nursing practice q that can be your partner