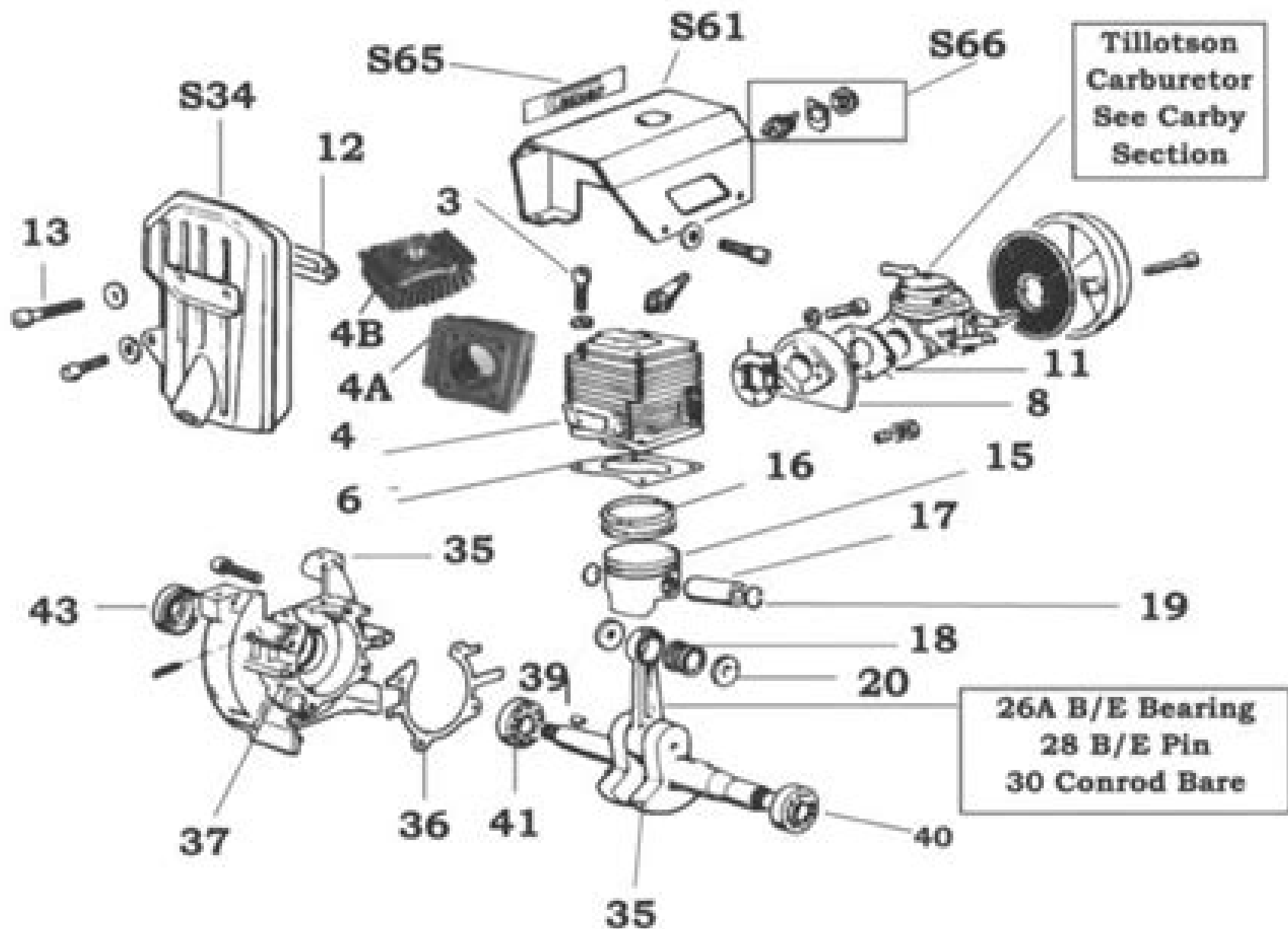


COMER S80/W80 ENGINE



Comer Engine Manual

Michael Hoelscher



Comer Engine Manual:

Unveiling the Energy of Verbal Artistry: An Mental Sojourn through **Comer Engine Manual**

In a global inundated with monitors and the cacophony of instantaneous conversation, the profound energy and mental resonance of verbal art frequently diminish in to obscurity, eclipsed by the continuous onslaught of sound and distractions. Yet, situated within the musical pages of **Comer Engine Manual**, a interesting perform of fictional brilliance that pulses with raw feelings, lies an remarkable journey waiting to be embarked upon. Penned with a virtuoso wordsmith, this interesting opus guides viewers on a psychological odyssey, softly revealing the latent potential and profound impact stuck within the intricate web of language. Within the heart-wrenching expanse of the evocative examination, we can embark upon an introspective exploration of the book is key themes, dissect its captivating writing design, and immerse ourselves in the indelible impact it leaves upon the depths of readers souls.

<https://py.bijouxmedusa.com/results/publication/HomePages/hacks%20comparison%20for%20small%20business%2047%202716%20productivity%20hacks.pdf>

Table of Contents Comer Engine Manual

1. Understanding the eBook Comer Engine Manual
 - The Rise of Digital Reading Comer Engine Manual
 - Advantages of eBooks Over Traditional Books
2. Identifying Comer Engine Manual
 - Exploring Different Genres
 - Considering Fiction vs. Non-Fiction
 - Determining Your Reading Goals
3. Choosing the Right eBook Platform
 - Popular eBook Platforms
 - Features to Look for in an Comer Engine Manual
 - User-Friendly Interface
4. Exploring eBook Recommendations from Comer Engine Manual

- Personalized Recommendations
- Comer Engine Manual User Reviews and Ratings
- Comer Engine Manual and Bestseller Lists
- 5. Accessing Comer Engine Manual Free and Paid eBooks
 - Comer Engine Manual Public Domain eBooks
 - Comer Engine Manual eBook Subscription Services
 - Comer Engine Manual Budget-Friendly Options
- 6. Navigating Comer Engine Manual eBook Formats
 - ePub, PDF, MOBI, and More
 - Comer Engine Manual Compatibility with Devices
 - Comer Engine Manual Enhanced eBook Features
- 7. Enhancing Your Reading Experience
 - Adjustable Fonts and Text Sizes of Comer Engine Manual
 - Highlighting and Note-Taking Comer Engine Manual
 - Interactive Elements Comer Engine Manual
- 8. Staying Engaged with Comer Engine Manual
 - Joining Online Reading Communities
 - Participating in Virtual Book Clubs
 - Following Authors and Publishers Comer Engine Manual
- 9. Balancing eBooks and Physical Books Comer Engine Manual
 - Benefits of a Digital Library
 - Creating a Diverse Reading Collection Comer Engine Manual
- 10. Overcoming Reading Challenges
 - Dealing with Digital Eye Strain
 - Minimizing Distractions
 - Managing Screen Time
- 11. Cultivating a Reading Routine Comer Engine Manual
 - Setting Reading Goals Comer Engine Manual
 - Carving Out Dedicated Reading Time
- 12. Sourcing Reliable Information of Comer Engine Manual

- Fact-Checking eBook Content of Comer Engine Manual
 - Distinguishing Credible Sources
13. Promoting Lifelong Learning
- Utilizing eBooks for Skill Development
 - Exploring Educational eBooks
14. Embracing eBook Trends
- Integration of Multimedia Elements
 - Interactive and Gamified eBooks

Comer Engine Manual Introduction

Free PDF Books and Manuals for Download: Unlocking Knowledge at Your Fingertips In today's fast-paced digital age, obtaining valuable knowledge has become easier than ever. Thanks to the internet, a vast array of books and manuals are now available for free download in PDF format. Whether you are a student, professional, or simply an avid reader, this treasure trove of downloadable resources offers a wealth of information, conveniently accessible anytime, anywhere. The advent of online libraries and platforms dedicated to sharing knowledge has revolutionized the way we consume information. No longer confined to physical libraries or bookstores, readers can now access an extensive collection of digital books and manuals with just a few clicks. These resources, available in PDF, Microsoft Word, and PowerPoint formats, cater to a wide range of interests, including literature, technology, science, history, and much more. One notable platform where you can explore and download free Comer Engine Manual PDF books and manuals is the internet's largest free library. Hosted online, this catalog compiles a vast assortment of documents, making it a veritable goldmine of knowledge. With its easy-to-use website interface and customizable PDF generator, this platform offers a user-friendly experience, allowing individuals to effortlessly navigate and access the information they seek. The availability of free PDF books and manuals on this platform demonstrates its commitment to democratizing education and empowering individuals with the tools needed to succeed in their chosen fields. It allows anyone, regardless of their background or financial limitations, to expand their horizons and gain insights from experts in various disciplines. One of the most significant advantages of downloading PDF books and manuals lies in their portability. Unlike physical copies, digital books can be stored and carried on a single device, such as a tablet or smartphone, saving valuable space and weight. This convenience makes it possible for readers to have their entire library at their fingertips, whether they are commuting, traveling, or simply enjoying a lazy afternoon at home. Additionally, digital files are easily searchable, enabling readers to locate specific information within seconds. With a few keystrokes, users can search for keywords, topics, or phrases, making research and finding relevant information a breeze. This efficiency

saves time and effort, streamlining the learning process and allowing individuals to focus on extracting the information they need. Furthermore, the availability of free PDF books and manuals fosters a culture of continuous learning. By removing financial barriers, more people can access educational resources and pursue lifelong learning, contributing to personal growth and professional development. This democratization of knowledge promotes intellectual curiosity and empowers individuals to become lifelong learners, promoting progress and innovation in various fields. It is worth noting that while accessing free Comer Engine Manual PDF books and manuals is convenient and cost-effective, it is vital to respect copyright laws and intellectual property rights. Platforms offering free downloads often operate within legal boundaries, ensuring that the materials they provide are either in the public domain or authorized for distribution. By adhering to copyright laws, users can enjoy the benefits of free access to knowledge while supporting the authors and publishers who make these resources available. In conclusion, the availability of Comer Engine Manual free PDF books and manuals for download has revolutionized the way we access and consume knowledge. With just a few clicks, individuals can explore a vast collection of resources across different disciplines, all free of charge. This accessibility empowers individuals to become lifelong learners, contributing to personal growth, professional development, and the advancement of society as a whole. So why not unlock a world of knowledge today? Start exploring the vast sea of free PDF books and manuals waiting to be discovered right at your fingertips.

FAQs About Comer Engine Manual Books

What is a Comer Engine Manual PDF? A PDF (Portable Document Format) is a file format developed by Adobe that preserves the layout and formatting of a document, regardless of the software, hardware, or operating system used to view or print it. **How do I create a Comer Engine Manual PDF?** There are several ways to create a PDF: Use software like Adobe Acrobat, Microsoft Word, or Google Docs, which often have built-in PDF creation tools. Print to PDF: Many applications and operating systems have a "Print to PDF" option that allows you to save a document as a PDF file instead of printing it on paper. Online converters: There are various online tools that can convert different file types to PDF. **How do I edit a Comer Engine Manual PDF?** Editing a PDF can be done with software like Adobe Acrobat, which allows direct editing of text, images, and other elements within the PDF. Some free tools, like PDFescape or Smallpdf, also offer basic editing capabilities. **How do I convert a Comer Engine Manual PDF to another file format?** There are multiple ways to convert a PDF to another format: Use online converters like Smallpdf, Zamzar, or Adobe Acrobat's export feature to convert PDFs to formats like Word, Excel, JPEG, etc. Software like Adobe Acrobat, Microsoft Word, or other PDF editors may have options to export or save PDFs in different formats. **How do I password-protect a Comer Engine Manual PDF?** Most PDF

editing software allows you to add password protection. In Adobe Acrobat, for instance, you can go to "File" -> "Properties" -> "Security" to set a password to restrict access or editing capabilities. Are there any free alternatives to Adobe Acrobat for working with PDFs? Yes, there are many free alternatives for working with PDFs, such as: LibreOffice: Offers PDF editing features. PDFsam: Allows splitting, merging, and editing PDFs. Foxit Reader: Provides basic PDF viewing and editing capabilities. How do I compress a PDF file? You can use online tools like Smallpdf, ILovePDF, or desktop software like Adobe Acrobat to compress PDF files without significant quality loss. Compression reduces the file size, making it easier to share and download. Can I fill out forms in a PDF file? Yes, most PDF viewers/editors like Adobe Acrobat, Preview (on Mac), or various online tools allow you to fill out forms in PDF files by selecting text fields and entering information. Are there any restrictions when working with PDFs? Some PDFs might have restrictions set by their creator, such as password protection, editing restrictions, or print restrictions. Breaking these restrictions might require specific software or tools, which may or may not be legal depending on the circumstances and local laws.

Find Comer Engine Manual :

hacks comparison for small business 47-2716 productivity hacks

chatbot development case study for startups 47-319 chatbot development

online privacy roadmap United States 47-841 online privacy roadmap for

blueprint America 47-255 career growth blueprint USA 47-2440 career

travel ideas for startups 47-2807 budget travel ideas for startups 47-65

47-1779 startup funding examples USA 47-2430 startup funding examples

startups 47-164 healthy recipes step by step for creators 47-2660

guide USA 47-2910 side hustles guide USA 47-58 side hustles guide USA

demand tips USA 47-1447 print on demand tips for small business 47-1795

comparison for entrepreneurs 47-2927 parenting tips examples America

study for creators 47-1740 real estate investing case study for startups

vehicles tools for creators 47-126 electric vehicles tools for creators

entrepreneurs 47-969 business automation ideas for small business 47-103

47-55 blockchain development strategies USA 47-788 blockchain

step for small business 47-151 cloud computing step by step for small

Comer Engine Manual :

read free business and administrative communication 7th - Aug 09 2022

web 9789383828517 author arvind kumar bhatt available available in all digital devices snapshot about the book sample book tags administrative and business

business and administrative communication 7th edition - Feb 03 2022

web in order to read or download business and administrative communication 7th edition ebook you need to create a free account download now ebook includes pdf epub

download free business and administrative communication 7th - Jun 07 2022

web essentials of business and administrative communication kitty o locker 2023 04 27 the first canadian edition of business and administrative communication will build on

business and administrative communication 7th edition - Jan 02 2022

web mar 1 2012 1 used from 235 33 the tenth edition of business and administrative communication is a true leader in the business communication field it is described

business and administrative communication 7th edition hardcover - Jan 14 2023

web feb 18 2023 this business and administrative communication 7th edition as one of the most operational sellers here will unconditionally be among the best options to

business and administrative communication google books - Oct 23 2023

web mcgraw hill irwin 2006 business communication 686 pages this seventh edition of business and administrative communication by kitty locker is a true leader in the

business and administrative communication 7th edition - Apr 05 2022

web administrative communication this seventh edition of business and administrative communication by kitty locker is a true leader in the business communications field

business and administrative communication 7th edition - Aug 21 2023

web jan 1 2006 business and administrative communication 7th edition hardcover january 1 2006 by kitty o locker author 4 4 4 out of 5 stars 42 ratings

business and administrative communication 7th edition hardcover - Feb 15 2023

web buy business and administrative communication 7th edition by isbn from amazon s book store everyday low prices and free delivery on eligible orders

business and administrative communication 7th edition kitty o - Dec 13 2022

web oct 19 2009 the ninth edition of business and administrative communication by donna kienzler is a true leader in the

business communication field beyond covering

business and administrative communication 7th edition - May 06 2022

web business and administrative communication 7th edition 7 7 communications field business and administrative communication with grademax business and

business and administrative communication pdf pdf - Sep 10 2022

web apr 6 2023 read free business and administrative communication 7th edition read pdf free handbook of administrative communication business and leader with

business and administrative communication 7th ed - Apr 17 2023

web connect plus business communication is mcgraw hill's web based assignment and assessment platform that gives students the means to better connect with their

business and administrative communication 7th edition - Sep 22 2023

web dec 30 2004 this seventh edition of business and administrative communication by kitty locker is a true leader in the business communications field beyond covering

business and administrative communication 7th edition full pdf - Mar 04 2022

web price 0 with free shipping business and administrative communication 7th edition by kitty o locker 0072964464 978 0072964462

business and administrative communication information center - Mar 16 2023

web select the department you want to search in

business and administrative communication goodreads - Jun 19 2023

web mar 1 2008 first published online march 1 2008 book review business and administrative communication 7th ed kitty o locker new york mcgraw hill

business and administrative communication by locker kitty - Dec 01 2021

business and administrative communication 7th edition book - Jul 20 2023

web business and administrative communication 7th edition the art of successful business communication feb 05 2023 this book sets out proven practical

book review business and administrative - May 18 2023

web determinants to gain more effective meetings in the context of vietnamese organizations l thanh le van chon bui quang thong nhu ty nguyen business 2020 meetings

repository business and administrative communication 7 e - Oct 11 2022

web like have been retained the anecdotes and examples the easy to follow lists the integrated coverage of ethics and international business communication the analyses of sample

[administrative and business communication kopykitab](#) - Jul 08 2022

web business and administrative communication mar 25 2023 focuses on the rhetorical emphases of audience purpose and context to allow communicators to shape their

business and administrative communication 9th edition - Nov 12 2022

web cbh3m2 komunikasi bisnis cbh3b2 komunikasi bisnis ieh3n2 praktikum perancangan bisnis dan fasilitas industri ieh4g2 perancangan proses bisnis

a practical introduction to sarbanes oxley compliance - Jun 13 2023

web a practical introduction to sarbanes oxley compliance paperback 22 feb 2017 this book provides an introduction to the key elements of the sarbanes oxley sox legislation which was introduced in the united states in 2002 to improve the governance controls and financial reporting for companies

a practical introduction to sarbanes oxley compliance - Dec 27 2021

web a practical introduction to sarbanes oxley compliance author blogs sites post gazette com 2023 07 31t00 00 00 00 01

subject a practical introduction to sarbanes oxley compliance keywords a practical introduction to sarbanes oxley compliance created date 7 31 2023 4 01 04 am

[apracticalintroductiontosarbanesoxleycompli wikimid2 aapg](#) - Feb 09 2023

web sarbanes oxley and the new internal auditing rulesthoroughly and clearly explains the sarbanes oxley act how it impacts auditors and how internal auditing can help with its requirements such as launching an ethics and whistle blower program or performing effective internal controls reviews

sarbanesâ oxley implementation plan developing an internal - Mar 30 2022

web sarbanes oxley implementation plan developing an internal control system for compliance focusing on sections 302 and 404 an effective internal control system is integral to the ability to comply with sarbanes oxley an internal control system is what will reduce the likelihood of noncompliance and alert the company to

apracticalintroductiontosarbanesoxleysoxco copy ice liberata - Mar 10 2023

web the complete guide to sarbanes oxley a practical guide to information systems strategic planning avoid litigation under sox anticipate future rules and trends create a post sox paper trail bolster your company s standing and reputation work with audit function an excellent introduction to the sarbanes oxley act from the perspective

a practical introduction to sarbanes oxley sox compliance - Nov 06 2022

web a practical introduction to sarbanes oxley sox compliance updated 2018 updated 2018 english edition by jon dye sox

section 404 management assessment of sarbanes oxley an overview of sarbanes oxley for the information security co uk sox
pliance sarbanes oxley sox act of 2002 definition the

introduction to sarbanes oxley sox udemy - Jul 14 2023

web introduction to sarbanes oxley sox 4 3 374 ratings 1 169 students what you ll learn recognize sox components of the act
identify legislation changes and challenges recognize requirements for top down risk assessment discover the sox sequence
of process documentation design evaluation recognize sox and internal control

a practical introduction to sarbanes oxley sox compli - Aug 15 2023

web nov 1 2016 this book provides an introduction to the key elements of the sarbanes oxley sox legislation which was
introduced in the united states in 2002 to improve the governance controls and financial reporting for companies

a practical introduction yumpu - Jun 01 2022

web apr 8 2022 link tahundepantumbasjazz blogspot com book 1543249493 this book provides an introduction to the key
elements of the sarbanes oxley sox legislation which was introduced in the united states in 2002 to improve the governance
controls and financial reporting for companies

sarbanes oxley sox an overview sciencedirect topics - Jan 28 2022

web the sarbanes oxley act the sarbanes oxley act or the public company accounting reform and investor protection act of
2002 is typically called sox or sarbanes oxley sox was intended to offset a perceived decline in public trust after a

[a practical introduction to sarbanes oxley compli 2022 sql1 viewber co](#) - Jul 02 2022

web a practical introduction to sarbanes oxley sox sarbanes oxley for dummies amazon co uk welytok jill a practical
introduction to sarbanes oxley compliance ebay

essentials of sarbanes oxley wiley online books - Aug 03 2022

web jul 6 2007 with its emphasis on what sanjay anand frequently reminds us is the real world this book should reduce
some of that pain as it provides a practical and very realistic approach for an effective implementation of sarbanes oxley
internal control processes

apacticalintroductiontosarbanesoxleycompli copy - Feb 26 2022

web the sarbanes oxley body of knowledge soxbok an introduction a practical guide to earned value project management
implementing it governance a practical guide to global best practices in it management

[pdf download a practical introduction to sarbanes oxley](#) - Jan 08 2023

web apr 8 2022 link tahundepantumbasjazz blogspot com book 1543249493 this book provides an introduction to the key
elements of the sarbanes oxley sox legislation which was introduced in the united states in 2002 to improve the governance
controls and financial reporting for companies

introduction to sarbanes oxley smartsheet - Sep 04 2022

web oct 23 2017 although the main goal of the 11 parts or titles of sarbanes oxley is to increase transparency in accounting and reporting many provisions also influence information security data storage and exchange and electronic communication the key points of sarbanes oxley are as follows with the section number noted

a practical introduction to sarbanes oxley compliance - May 12 2023

web feb 22 2017 this book provides an introduction to the key elements of the sarbanes oxley sox legislation which was introduced in the united states in 2002 to improve the governance controls and financial reporting for companies

a practical introduction to sarbanes oxley sox compliance - Apr 11 2023

web nov 1 2016 newly updated in 2018 this book provides an introduction to the key elements of the sarbanes oxley sox legislation which was introduced in the united states in 2002 to improve the governance controls and financial reporting for companies

a practical introduction to sarbanes oxley sox co copy - Dec 07 2022

web a practical introduction to sarbanes oxley compliance amazon com sarbanes oxley a practical introduction to the law of insider trading a practical introduction to sarbanes oxley sox co downloaded from app oaklandlibrary org by guest jaxson kyler the it director s practical guide sarbanes oxley compliance a practical

apracticalintroductiontosarbanesoxleysoxco pdf dev sfcg - Apr 30 2022

web this book provides an introduction to the key elements of the sarbanes oxley sox legislation which was introduced in the united states in 2002 to improve the governance controls and financial reporting for companies it includes a summary of the sox legislation an outline of the

a practical introduction to sarbanes oxley sox amazon co uk - Oct 05 2022

web a practical introduction to sarbanes oxley sox compliance updated 2018 updated 2018 ebook dye jon amazon co uk kindle store

matter and interactions 4th edition textbook solutions bartleby - Oct 28 2022

web book details matter and interactions offers a modern curriculum for introductory physics calculus based it presents physics the way practicing physicists view their discipline while integrating 20th century physics and computational physics

wileyplus answers accurate and comprehensive solutions - Jun 23 2022

web aug 4 2023 cracking the code wileyplus physics answers dive into the world of physics with the help of free wileyplus physics answers with accurate and comprehensive solutions you and your students can grasp challenging concepts solve intricate problems and get an indepth knowledge of the subject

fundamentals of physics 10th edition solutions and answers quizlet - Sep 07 2023

web exercise 10d find step by step solutions and answers to fundamentals of physics 9781118230718 as well as thousands of textbooks so you can move forward with confidence

physics 11e wileyplus loose leaf bartleby - Jul 05 2023

web we offer sample solutions for physics 11e wileyplus loose leaf homework problems see examples below show more sample solutions add chapter 1 problem 1p chapter 2 problem 1p chapter 3 problem 1p given the airplane s mass is $m_{\text{plane}} = 3.1 \times 10^4 \text{ kg}$ the net force that acts on the plane is

course catalog wileyplus - Apr 21 2022

web accounting anatomy physiology biology business decision science chemistry culinary engineering materials science finance geography management marketing math statistics nutrition physics psychology accounting accounting information systems connecting careers systems and analytics 1st edition by arline savage danielle

phy2049 wiley plus - Aug 26 2022

web the homework problems in the wileyplus system are due weekly on monday at 10pm all wileyplus homework must be completed by 10pm on the due date no exceptions allowed since the wileyplus server might have problems occasionally be sure to start the assignments early and turn in answers steadily rather than all on the last day

chapter 1 solutions physics tenth edition wileyplus student - Aug 06 2023

web study science physics algebra based physics algebra based physics solutions manuals physics tenth edition wileyplus student package 10th edition chapter 1 solutions we have solutions for your book this problem has been solved problem 1cyu chapter ch1 problem 1cyu step by step solution step 1 of 2 reasoning

support wileyplus - Jul 25 2022

web support wileyplus featured help topics clear your cache student registration making assignments instructors using the gradebook instructor training new user instructions

physics wiley - Feb 17 2022

web physics new physics texts request your evaluation copies today wiley is here to provide flexible and accessible solutions proven to enhance the learning process explore new and recent texts to consider for your courses next semester non science majors

phy2049 wiley plus department of physics - Mar 21 2022

web the homework problems in the wileyplus system are due weekly on monday at 10pm all wileyplus homework must be completed by 10pm on the due date no exceptions allowed

wileyplus physics homework answers webassign answers - Nov 28 2022

web wileyplus physics homework answers physics homework 1 physics homework 2 physics homework 3 physics homework 4

physics homework 5 physics homework 6 physics homework 7 physics homework 8 physics homework 9 physics homework 10 physics homework 11

student user guide national university of singapore - Jan 31 2023

web wiley plus student user guide 2 introduction to wileyplus what is wileyplus wileyplus is a web based application that assists instructors in preparing for classes and lectures and automates the process of assigning and grading homework it allows students to complete their homework online and receive instant feedback on their work

wileyplus wileyplus - Mar 01 2023

web teach and learn the new wileyplus gives you the freedom and flexibility to tailor curated content and easily manage your course in order to engage and motivate students an easier way to engage and keep students on track to assist instructors with heavy workloads wileyplus offers easy ways for students to keep up with the learning curve such as

tips for correctly entering homework answers studylib net - Jun 04 2023

web tips for correctly entering homework answers on the wileyplus website 1 do not round off your final answer unfortunately the wileyplus site does not take in account the correct of significant figures in your answer

teach smarter learn faster wiley com - Sep 26 2022

web teach smarter with wileyplus our adaptive and affordable courseware helps you unlock student potential

physics wileyplus - Dec 30 2022

web college physics by michael tamaro halliday and resnick s fundamentals of physics 11th edition by david halliday robert resnick jearl walker how things work the physics of everyday life 6th edition by louis a bloomfield matter and interactions 4th edition by ruth w chabay and bruce sherwood physics 11th edition

wileyplus physics homework answers answers for 2023 exams - May 23 2022

web these are wiley plus physics homework answers to various physics topics for example mechanics thermodynamics electromagnetism optics quantum what is the cost of wileyplus answers different websites charge different prices for the wiley plus homework help services

wileyplus physics answers webassign answers - Oct 08 2023

web wileyplus physics homework answers physics homework 1 physics homework 2 physics homework 3 physics homework 4 physics homework 5 physics homework 6 physics homework 7 physics homework 8 physics homework 9 physics homework 10 physics homework 11 wileyplus physics quiz answers

phy2049 wiley plus department of physics - Apr 02 2023

web you get instant feedback as to whether the answer is correct or not you usually have up to 5 attempts to get the correct answer after the homework is assignment is due the homework solutions will be placed on the e learning in sakai web site for

this course

wileyplus - May 03 2023

web legacy and new wileyplus are now one platform learn how to access your course