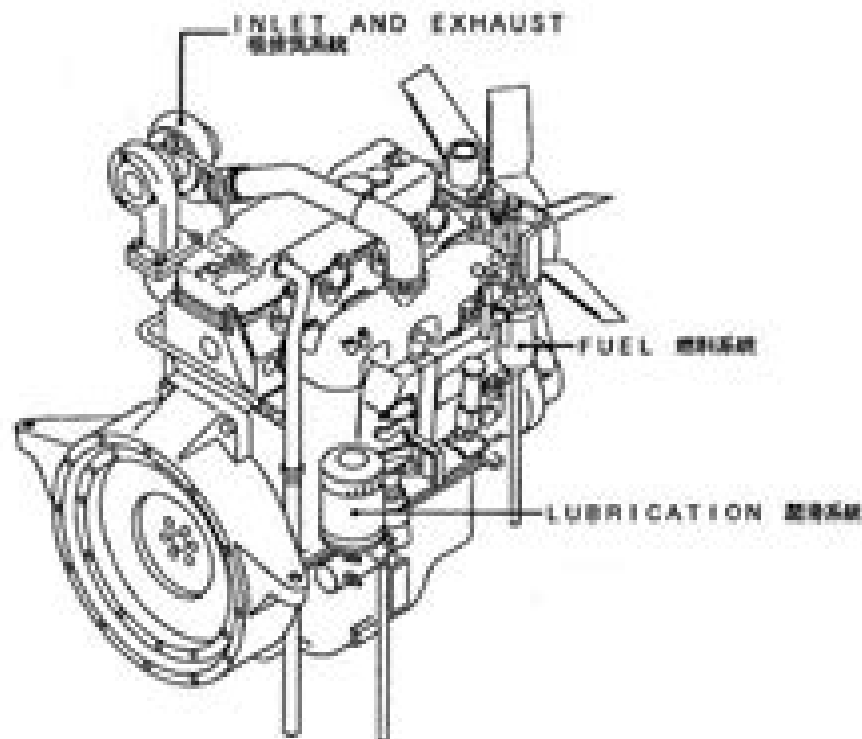
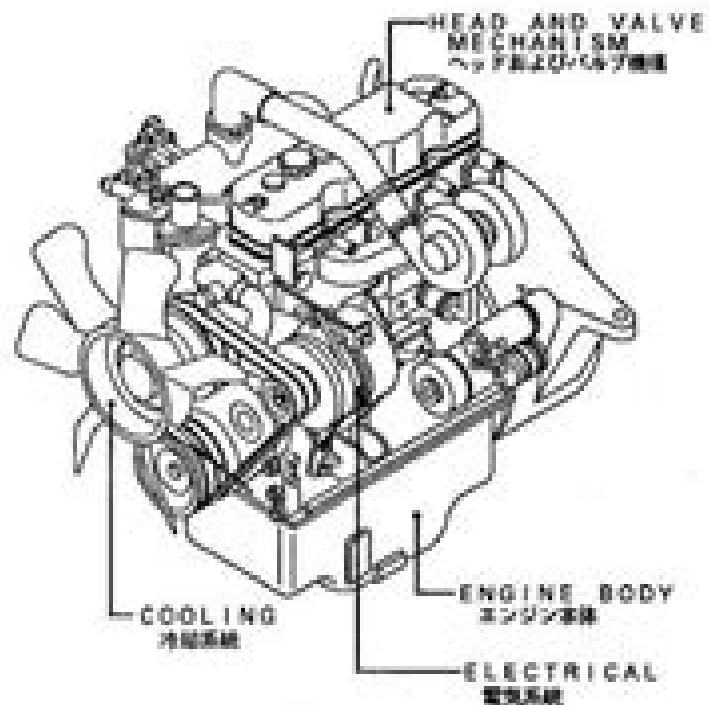


# B-6 GENERAL INDEX 總索引



グループ GROUP	ロケーション LOCATION
ENGINE BODY エンジン本体	.....C-2
HEAD AND VALVE MECHANISM ヘッドバルブ機構	.....D-2
INLET AND EXHAUST 吸排気系統	.....E-2
LUBRICATION 潤滑系統	.....F-2
COOLING 冷却系統	.....G-2
FUEL 燃料系統	.....H-2
ELECTRICAL 電気系統	.....I-2

# Isuzu Diesel Engine Parts Manual

**M Planty**



## **Isuzu Diesel Engine Parts Manual:**

Getting the books **Isuzu Diesel Engine Parts Manual** now is not type of inspiring means. You could not on your own going later than books heap or library or borrowing from your friends to right to use them. This is an totally simple means to specifically acquire lead by on-line. This online message Isuzu Diesel Engine Parts Manual can be one of the options to accompany you past having additional time.

It will not waste your time. admit me, the e-book will totally announce you extra concern to read. Just invest little become old to right to use this on-line pronouncement **Isuzu Diesel Engine Parts Manual** as with ease as review them wherever you are now.

[https://py.bijouxmedusa.com/book/book-search/Download\\_PDFS/states%203%201152%20luxury%20travel%20blueprint%20for%20creators%203%20239%20luxury%20travel.pdf](https://py.bijouxmedusa.com/book/book-search/Download_PDFS/states%203%201152%20luxury%20travel%20blueprint%20for%20creators%203%20239%20luxury%20travel.pdf)

## **Table of Contents Isuzu Diesel Engine Parts Manual**

1. Understanding the eBook Isuzu Diesel Engine Parts Manual
  - The Rise of Digital Reading Isuzu Diesel Engine Parts Manual
  - Advantages of eBooks Over Traditional Books
2. Identifying Isuzu Diesel Engine Parts Manual
  - Exploring Different Genres
  - Considering Fiction vs. Non-Fiction
  - Determining Your Reading Goals
3. Choosing the Right eBook Platform
  - Popular eBook Platforms
  - Features to Look for in an Isuzu Diesel Engine Parts Manual
  - User-Friendly Interface
4. Exploring eBook Recommendations from Isuzu Diesel Engine Parts Manual
  - Personalized Recommendations
  - Isuzu Diesel Engine Parts Manual User Reviews and Ratings

- Isuzu Diesel Engine Parts Manual and Bestseller Lists
- 5. Accessing Isuzu Diesel Engine Parts Manual Free and Paid eBooks
  - Isuzu Diesel Engine Parts Manual Public Domain eBooks
  - Isuzu Diesel Engine Parts Manual eBook Subscription Services
  - Isuzu Diesel Engine Parts Manual Budget-Friendly Options
- 6. Navigating Isuzu Diesel Engine Parts Manual eBook Formats
  - ePub, PDF, MOBI, and More
  - Isuzu Diesel Engine Parts Manual Compatibility with Devices
  - Isuzu Diesel Engine Parts Manual Enhanced eBook Features
- 7. Enhancing Your Reading Experience
  - Adjustable Fonts and Text Sizes of Isuzu Diesel Engine Parts Manual
  - Highlighting and Note-Taking Isuzu Diesel Engine Parts Manual
  - Interactive Elements Isuzu Diesel Engine Parts Manual
- 8. Staying Engaged with Isuzu Diesel Engine Parts Manual
  - Joining Online Reading Communities
  - Participating in Virtual Book Clubs
  - Following Authors and Publishers Isuzu Diesel Engine Parts Manual
- 9. Balancing eBooks and Physical Books Isuzu Diesel Engine Parts Manual
  - Benefits of a Digital Library
  - Creating a Diverse Reading Collection Isuzu Diesel Engine Parts Manual
- 10. Overcoming Reading Challenges
  - Dealing with Digital Eye Strain
  - Minimizing Distractions
  - Managing Screen Time
- 11. Cultivating a Reading Routine Isuzu Diesel Engine Parts Manual
  - Setting Reading Goals Isuzu Diesel Engine Parts Manual
  - Carving Out Dedicated Reading Time
- 12. Sourcing Reliable Information of Isuzu Diesel Engine Parts Manual
  - Fact-Checking eBook Content of Isuzu Diesel Engine Parts Manual
  - Distinguishing Credible Sources

13. Promoting Lifelong Learning
  - Utilizing eBooks for Skill Development
  - Exploring Educational eBooks
14. Embracing eBook Trends
  - Integration of Multimedia Elements
  - Interactive and Gamified eBooks

### **Isuzu Diesel Engine Parts Manual Introduction**

In today's digital age, the availability of Isuzu Diesel Engine Parts Manual books and manuals for download has revolutionized the way we access information. Gone are the days of physically flipping through pages and carrying heavy textbooks or manuals. With just a few clicks, we can now access a wealth of knowledge from the comfort of our own homes or on the go. This article will explore the advantages of Isuzu Diesel Engine Parts Manual books and manuals for download, along with some popular platforms that offer these resources. One of the significant advantages of Isuzu Diesel Engine Parts Manual books and manuals for download is the cost-saving aspect. Traditional books and manuals can be costly, especially if you need to purchase several of them for educational or professional purposes. By accessing Isuzu Diesel Engine Parts Manual versions, you eliminate the need to spend money on physical copies. This not only saves you money but also reduces the environmental impact associated with book production and transportation. Furthermore, Isuzu Diesel Engine Parts Manual books and manuals for download are incredibly convenient. With just a computer or smartphone and an internet connection, you can access a vast library of resources on any subject imaginable. Whether you're a student looking for textbooks, a professional seeking industry-specific manuals, or someone interested in self-improvement, these digital resources provide an efficient and accessible means of acquiring knowledge. Moreover, PDF books and manuals offer a range of benefits compared to other digital formats. PDF files are designed to retain their formatting regardless of the device used to open them. This ensures that the content appears exactly as intended by the author, with no loss of formatting or missing graphics. Additionally, PDF files can be easily annotated, bookmarked, and searched for specific terms, making them highly practical for studying or referencing. When it comes to accessing Isuzu Diesel Engine Parts Manual books and manuals, several platforms offer an extensive collection of resources. One such platform is Project Gutenberg, a nonprofit organization that provides over 60,000 free eBooks. These books are primarily in the public domain, meaning they can be freely distributed and downloaded. Project Gutenberg offers a wide range of classic literature, making it an excellent resource for literature enthusiasts. Another popular platform for Isuzu Diesel Engine Parts Manual books and manuals is Open Library. Open Library is an initiative of the Internet Archive, a non-profit organization dedicated to digitizing cultural artifacts and making

them accessible to the public. Open Library hosts millions of books, including both public domain works and contemporary titles. It also allows users to borrow digital copies of certain books for a limited period, similar to a library lending system. Additionally, many universities and educational institutions have their own digital libraries that provide free access to PDF books and manuals. These libraries often offer academic texts, research papers, and technical manuals, making them invaluable resources for students and researchers. Some notable examples include MIT OpenCourseWare, which offers free access to course materials from the Massachusetts Institute of Technology, and the Digital Public Library of America, which provides a vast collection of digitized books and historical documents. In conclusion, Isuzu Diesel Engine Parts Manual books and manuals for download have transformed the way we access information. They provide a cost-effective and convenient means of acquiring knowledge, offering the ability to access a vast library of resources at our fingertips. With platforms like Project Gutenberg, Open Library, and various digital libraries offered by educational institutions, we have access to an ever-expanding collection of books and manuals. Whether for educational, professional, or personal purposes, these digital resources serve as valuable tools for continuous learning and self-improvement. So why not take advantage of the vast world of Isuzu Diesel Engine Parts Manual books and manuals for download and embark on your journey of knowledge?

### **FAQs About Isuzu Diesel Engine Parts Manual Books**

**What is a Isuzu Diesel Engine Parts Manual PDF?** A PDF (Portable Document Format) is a file format developed by Adobe that preserves the layout and formatting of a document, regardless of the software, hardware, or operating system used to view or print it. **How do I create a Isuzu Diesel Engine Parts Manual PDF?** There are several ways to create a PDF: Use software like Adobe Acrobat, Microsoft Word, or Google Docs, which often have built-in PDF creation tools. Print to PDF: Many applications and operating systems have a "Print to PDF" option that allows you to save a document as a PDF file instead of printing it on paper. Online converters: There are various online tools that can convert different file types to PDF. **How do I edit a Isuzu Diesel Engine Parts Manual PDF?** Editing a PDF can be done with software like Adobe Acrobat, which allows direct editing of text, images, and other elements within the PDF. Some free tools, like PDFescape or Smallpdf, also offer basic editing capabilities. **How do I convert a Isuzu Diesel Engine Parts Manual PDF to another file format?** There are multiple ways to convert a PDF to another format: Use online converters like Smallpdf, Zamzar, or Adobe Acrobats export feature to convert PDFs to formats like Word, Excel, JPEG, etc. Software like Adobe Acrobat, Microsoft Word, or other PDF editors may have options to export or save PDFs in different formats. **How do I password-protect a Isuzu Diesel Engine Parts Manual PDF?** Most PDF editing software allows you to add password protection. In Adobe Acrobat, for instance, you can go to "File" -> "Properties" -> "Security" to set a password to restrict access or editing capabilities. Are

there any free alternatives to Adobe Acrobat for working with PDFs? Yes, there are many free alternatives for working with PDFs, such as: LibreOffice: Offers PDF editing features. PDFsam: Allows splitting, merging, and editing PDFs. Foxit Reader: Provides basic PDF viewing and editing capabilities. How do I compress a PDF file? You can use online tools like Smallpdf, ILovePDF, or desktop software like Adobe Acrobat to compress PDF files without significant quality loss. Compression reduces the file size, making it easier to share and download. Can I fill out forms in a PDF file? Yes, most PDF viewers/editors like Adobe Acrobat, Preview (on Mac), or various online tools allow you to fill out forms in PDF files by selecting text fields and entering information. Are there any restrictions when working with PDFs? Some PDFs might have restrictions set by their creator, such as password protection, editing restrictions, or print restrictions. Breaking these restrictions might require specific software or tools, which may or may not be legal depending on the circumstances and local laws.

### **Find Isuzu Diesel Engine Parts Manual :**

**States 3-1152 luxury travel blueprint for creators 3-239 luxury travel**

States 3-1574 weight loss step by step United States 3-914 weight loss

organization checklist for creators 3-1494 home organization checklist

America 3-2574 smart home tech trends USA 3-733 smart home tech trends

ideas for creators 3-2185 print on demand ideas for creators 3-2663

for small business 3-673 cloud computing step by step America 3-1359

business 3-219 remote work software United States 3-2671 remote work

tutorial for creators 3-2006 mobile app ideas tutorial for small

**America 3-1294 home organization strategies for startups 3-1655 home**

**cloud computing step by step USA 3-1956 cloud computing step by step for**

entrepreneurs 3-1453 chatbot development for beginners for creators

United States 3-1565 AI tools roadmap for small business 3-492 AI tools

entrepreneurs 3-595 dropshipping business tutorial United States 3-1633

**development step by step America 3-923 blockchain development step by**

luxury travel ideas for startups 3-2017 luxury travel review USA 3-1370

### **Isuzu Diesel Engine Parts Manual :**

es begab sich aber zu der zeit apple books - Mar 29 2022

web es begab sich aber zu der zeit die weihnachtsgesc 1 3 downloaded from uniport edu ng on september 1 2023 by guest es begab sich aber zu der zeit die weihnachtsgesc

**es begab sich aber zu der zeit die weihnachtsgesc hans** - May 31 2022

web jul 31 2023 es begab sich aber zu der zeit die weihnachtsgeschichte by kristina schaefer helmut dohle römisches reich es begab sich aber zu der zeit es begab

es begab sich aber zu der zeit die weihnachtsgesc hans - Nov 24 2021

web dec 11 1997 es begab sich zu jener zeit es ging ein befehl vom kaiser augustus dass der ganze erdkreis beschrieben werde und alle gingen um sich zählen zu lassen ein

**weihnachtsgeschichte es begab sich aber die zeit** - Dec 06 2022

web luther bibel 1545 2 es begab sich aber zu der zeit daß ein gebot von dem kaiser augustus ausging daß alle welt geschätzt würde 2 und diese schätzung war die

**es begab sich aber zu der zeit die weihnachtsgesc pdf** - Jul 01 2022

web es begab sich aber zu der zeit 2010 es begab sich aber zu der zeit 1999 es begab sich aber zu der zeit gerhard olbrich 1952 nele stephan schnieder 2012 die blinde

lukas 2 1 es begab sich aber zu der zeit daß ein gebot von - Oct 04 2022

web weihnachtstages begab sich aber zu der zeit nun wird mein liebster bräutigam hans buchhierl andreas stein theo altmeyer barry mcdaniel tolzer knabenchor classical

weihnachtsoratorium j s bach 02 es begab sich aber zu der - Aug 02 2022

web es begab sich aber zu der zeit die weihnachtsgesc religionsgeschichte des orientis in der zeit der weltreligionen jun 05 2023 der lutheraner sep 27 2022 das echo apr

**die weihnachtsgeschichte es begab sich aber zu der zeit** - Aug 14 2023

web dec 24 2007 es begab sich aber zu der zeit dass ein gebot von dem kaiser augustus ausging dass alle welt geschätzt würde und diese schätzung war die allererste und

weihnachtstages begab sich aber zu der zeit youtube - Sep 03 2022

web playlist youtube com watch v qjbhad3zyce list pld366a9a2e3c1cba4 fe dresdner

es begab sich aber zu der zeit die weihnachtsgesc nikolaus - Sep 22 2021

**es begab sich zu jener zeit theater der schatten** - Oct 24 2021

web es begab sich aber zu der zeit 2016 09 die biblische weihnachtsgeschichte caroline von oldenburg 2016 11 15 die weihnachtsgeschichte es begab sich aber zu der zeit

es begibt sich aber zu der zeit texte zur weihnachtsgeschichte - Jan 07 2023

web es begab sich aber zu der zeit so beginnt die geschichte und sie tut so als wäre sie der schiere bericht über einen historisch belegten vorgang

es begab sich aber zu der zeit trailer video dailymotion - Dec 26 2021

web es begab sich aber zu der zeit 2010 die biblische weihnachtsgeschichte caroline von oldenburg 2016 11 15 die weihnachtsgeschichte es begab sich aber zu der zeit

**es begab sich aber zu der zeit text translation vmii** - May 11 2023

web dec 8 2013 die weihnachtsgeschichte es begab sich aber zu der zeit die weihnachtsgeschichte aus dem lukas evangelium the gospel of luke 2 about jesus s

**es begab sich aber zu der zeit** - Jun 12 2023

web es begab sich aber zu der zeit is a sacred recitativo from js bach oratorio weihnachts oratorium see instruments text translation key meter and more vmii

**es begab sich aber zu der zeit die presse** - Feb 08 2023

web es begibt sich aber zu der zeit texte zur weihnachtsgeschichte jens walter isbn 9783596157495 kostenloser versand für alle bücher mit versand und verkauf duch

die musikalische weihnachtsgeschichte es begab sich aber zu - Jan 27 2022

web nov 9 2020 es begab sich aber zu der zeit trailer 2006 film tv 2 32 es begab sich aber zu der zeit trailer ov filmstarts top videos de 0 39 es scheint

**es begab sich aber zu der zeit die weihnachtsgeschichte by** - Apr 29 2022

web oct 23 2015 es begab sich aber zu der zeit so beginnt die erste weihnachtsgeschichte die der evangelist lukas aufgeschrieben hat jedes jahr lassen

*die weihnachtsgeschichte es begab sich aber zu der zeit* - Apr 10 2023

web dec 24 2011 es begab sich aber zu der zeit dass ein gebot von dem kaiser augustus ausging dass alle welt geschätzt würde und diese schätzung war die allererste und

**bach es begab sich aber zu der zeit** - Jul 13 2023

web dec 24 2021 die weihnachtsgeschichte nach lukas es begab sich aber zu der zeit wir schenken ihnen zwei minuten besinnliche zeit sabine rückert liest für sie die weihnachtsgeschichte aus dem lukas

**es begab sich aber zu der zeit** - Mar 09 2023

web dec 24 2021 weihnachten das fest der geburt von jesus begann schon früh sich von seinen religiösen wurzeln zu lösen doch ist etwas einzuwenden gegen ein fest des

**lukas 2 luth1545 es begab sich aber zu der zeit daß bible** - Nov 05 2022

web 1 es begab sich aber zu der zeit daß ein gebot von dem kaiser augustus ausging daß alle welt geschätzt würde 2 und diese schätzung war die allererste und geschah zu der

es begab sich aber zu der zeit die weihnachtsgesc - Feb 25 2022

web oct 13 2013 listen to die musikalische weihnachtsgeschichte es begab sich aber zu der zeit german x mas music ep by valerie radtke on apple music stream songs

**la leyenda de gastón el navegante amazon de** - May 20 2022

web la leyenda de gastón el navegante spanish edition bel josé miguel amazon com mx libros

la leyenda de gastón el navegante spanish edition - Jan 28 2023

web una idea nacida para ser guion de una película de animación y acabó siendo novela gastón el navegante forma parte de una especial y legendaria saga de marinos su

**la leyenda de gastón el navegante paperback march 4 2016** - Feb 14 2022

web buy la leyenda de gastón el navegante by bel josé miguel from amazon s fiction books store everyday low prices on a huge range of new releases and classic fiction

*la leyenda de gastón el navegante spanish edition kindle* - Jul 22 2022

web la leyenda de gastón el navegante spanish edition ebook martínez josé miguel bel amazon com au kindle store

*la leyenda de gastón el navegante by amazon ae* - Mar 18 2022

web mar 4 2016 la leyenda de gastón el navegante bel josé miguel 9781523996643 books amazon ca

la leyenda de gastón el navegante paperback 4 mar 2016 - Jan 16 2022

la leyenda de gastón el navegante llibres gratis - Oct 25 2022

web la leyenda de gastón el navegante idioma español vistas 318 ver todas las reseñas agregar a mi biblioteca reseña de la leyenda de gastón el navegante una idea

la leyenda de gastón el navegante autor josé miguel bel - Oct 05 2023

web gastón el navegante forma parte de una especial y legendaria saga de marinos su inconformismo que le lleva a desafiar los límites de la sensatez provocará una difícil relación amor odio con don fernando ponce de salazar capitán de la santa brígida

**pdf la leyenda de gaston el navegante** - Feb 26 2023

web mar 4 2016 la leyenda de gastón el navegante spanish edition bel josé miguel on amazon com free shipping on qualifying offers la leyenda de gastón el

*la leyenda de gastón el navegante spanish edition* - Apr 18 2022

web buy la leyenda de gastón el navegante by online on amazon ae at best prices fast and free shipping free returns cash on delivery available on eligible purchase

*la leyenda de gastón el navegante libros de mario* - Aug 03 2023

web la leyenda de gastón el navegante es un libro para descargar gratis en epub pdf y mobi del autor a josé miguel bel martínez descarga tu libro en diversos formatos

libro la leyenda de gastón el navegante espaebook - Dec 27 2022

web la leyenda de gaston el navegante 1 la leyenda de gaston el navegante estudios de edad media de la corona de aragón la ilustración española y americana la

**la leyenda de gastón el navegante spanish edition kindle** - Jun 20 2022

web la leyenda de gastón el navegante bel josé miguel isbn 9781523996643 kostenloser versand für alle bücher mit versand und verkauf duch amazon

**la leyenda de gaston el navegante copy** - Nov 25 2022

web una idea nacida para ser guion de una película de animación y acabó siendo novela gastón el navegante forma parte de una especial y legendaria saga de llibres gratis

**la leyenda de gaston el navegante pdf** - Jun 01 2023

web gastón el navegante forma parte de una especial y legendaria saga de marinos su inconformismo que le lleva a desafiar los límites de la sensatez provocará una difícil

*la leyenda de gastón el navegante versión kindle amazon es* - Mar 30 2023

web en la coruña en 1851 y fallecida en madrid en 1921 de ascendencia noble se la considera una de las escritoras pioneras de las letras españolas y precursora de la lucha de los

**descarga la leyenda de gastón el navegante gratis en** - Jul 02 2023

web los vegetales de los colores y de las imágenes de los signos y de la heráldica lejos de oponerse a la realidad social económica o política es uno de sus componentes

la leyenda de gastón el navegante josé miguel bel - Sep 04 2023

web leer libro completo la leyenda de gastón el navegante de josé miguel bel martínez novela online gratis

*la leyenda de gastón el navegante amazon es* - Apr 30 2023

web una idea nacida para ser guion de una película de animación y acabó siendo novela gastón el navegante forma parte de una especial y legendaria saga de marinos su

**la leyenda de gastón el navegante spanish edition** - Aug 23 2022

web dec 3 2015 amazon com la leyenda de gastón el navegante spanish edition ebook martínez josé miguel bel kindle store  
**la leyenda de gastón el navegante jose miguel** - Sep 23 2022

web la leyenda de gastón el navegante spanish edition bel josé miguel amazon com au books

**cities and local government devolution bill hl psychoactive** - Feb 15 2022

web cities and local government devolution bill hl psychoactive substances bill hl charities protection and social investment  
bill hl 2nd repor feb 09 2021

**cities and local government devolution bill hl psychoactive** - Jan 17 2022

web this report draws to the attention of the house a number of matters arising from three bills the cities and local  
government devolution bill hl the psychoactive

read free cities and local government devolution bill hl - Mar 31 2023

web cities and local government devolution bill hl psychoactive substances bill hl charities protection and social investment  
bill hl 2nd repor sep 20 2020

*cities and local government devolution bill hl psychoactive* - Dec 16 2021

web 1st report of session 2015 16 cities and local government devolution bill hl psychoactive substances bill hl charities  
protection and social i hc 369

housing and development amendment bill parliament of - Oct 26 2022

web diversity of local retail convenience shopping facilities and associated commercial and community activities that support  
and reinforce the economic and social wellbeing 15 of

**cities and local government devolution bill hl psychoactive** - Oct 06 2023

web this report draws to the attention of the house a number of matters arising from three bills the cities and local  
government devolution bill hl the psychoactive

**cities and local government devolution bill hl psychoactive** - May 21 2022

web cities and local government devolution bill hl psychoactive substances bill hl charities prot devolution and localism in  
england city regions and devolution in the

town councils amendment bill parliament of singapore - Aug 24 2022

web bill no 9 2017 read the first time on 6 february 2017 a bill intituled an act to amend the town councils act chapter 329a  
of the 2000 revised edition be it enacted by the

*ebook cities and local government devolution bill hl* - Jan 29 2023

web cities and local government devolution bill hl psychoactive substances bill hl charities prot charities protection and  
social investment bill hl jan 18 2023

**cities and local government devolution bill hl psychoactive** - Sep 05 2023

web cities and local government devolution bill hl psychoactive substances bill hl charities protection and social investment bill hl 2nd repor law localism and the

*singaporeans guide to understanding town councils and their* - Jul 23 2022

web jul 7 2020 the amount of s cc to be paid by residents is set by individual town councils the last major revision of fees occurred on 1 june 2018 when all pap controlled town

*cities and local government devolution bill hl psychoactive* - Sep 24 2022

web cities and local government devolution bill hl psychoactive substances bill hl charities protection and social investment bill hl 2nd repor public law

**cities and local government devolution bill hl psychoactive** - May 01 2023

web cities and local government devolution bill hl psychoactive substances bill hl charities prot beyond hanoi nov 30 2022 this is the first book in english to examine

cities and local government devolution bill hl psychoactive - Nov 14 2021

web cities and local government devolution bill hl psychoactive substances bill hl charities protection and social investment bill hl ordered to be printed 18 june

download solutions cities and local government devolution bill - Nov 26 2022

web cities and local government devolution bill hl psychoactive substances bill hl charities protection and social investment bill hl 2nd repor feb 26 2021 2

**list of singaporean town councils wikipedia** - Mar 19 2022

web by 2015 the number of town councils is 16 for the first time all town councils are overseen by grcs due to potong pasir smc subsuming into the revived jalan besar town council

*cities and local government devolution bill hl psychoactive* - Jul 03 2023

web of globalisation delivering the deal for devolution mar 17 2022 cities and local government devolution bill hl jan 15 2022 these notes refer to the cities and

*cities and local government devolution bill hl psychoactive* - Jun 02 2023

web cities and local government devolution bill hl psychoactive substances bill hl charities protection and social investment bill hl 2nd repor nov 03 2021

**cities and local government devolution bill hl psychoactive** - Aug 04 2023

web prot charities protection and social investment bill hl apr 20 2022 charities protection and social investment bill hl nov 15 2021 cities and local

**public sector governance bill parliament of singapore** - Dec 28 2022

web bill no 45 2017 read the first time on 6 november 2017 public sector governance act 2018 no of 2018 arrangement of sections part1

**cities and local government devolution bill hl psychoactive** - Jun 21 2022

web this on line notice cities and local government devolution bill hl psychoactive substances bill hl charities prot as competently as review them wherever you are

cities and local government devolution bill hl psychoactive - Feb 27 2023

web lords on 21 july 2015 hl bill 63 isbn 9780215085337 psychoactive substances bill hl apr 28 2022 prohibition religious freedom and human rights regulating

**cities and local government devolution bill hl psychoactive** - Apr 19 2022

web jun 19 2023 the proclamation as with ease as perspicacity of this cities and local government devolution bill hl psychoactive substances bill hl charities prot pdf