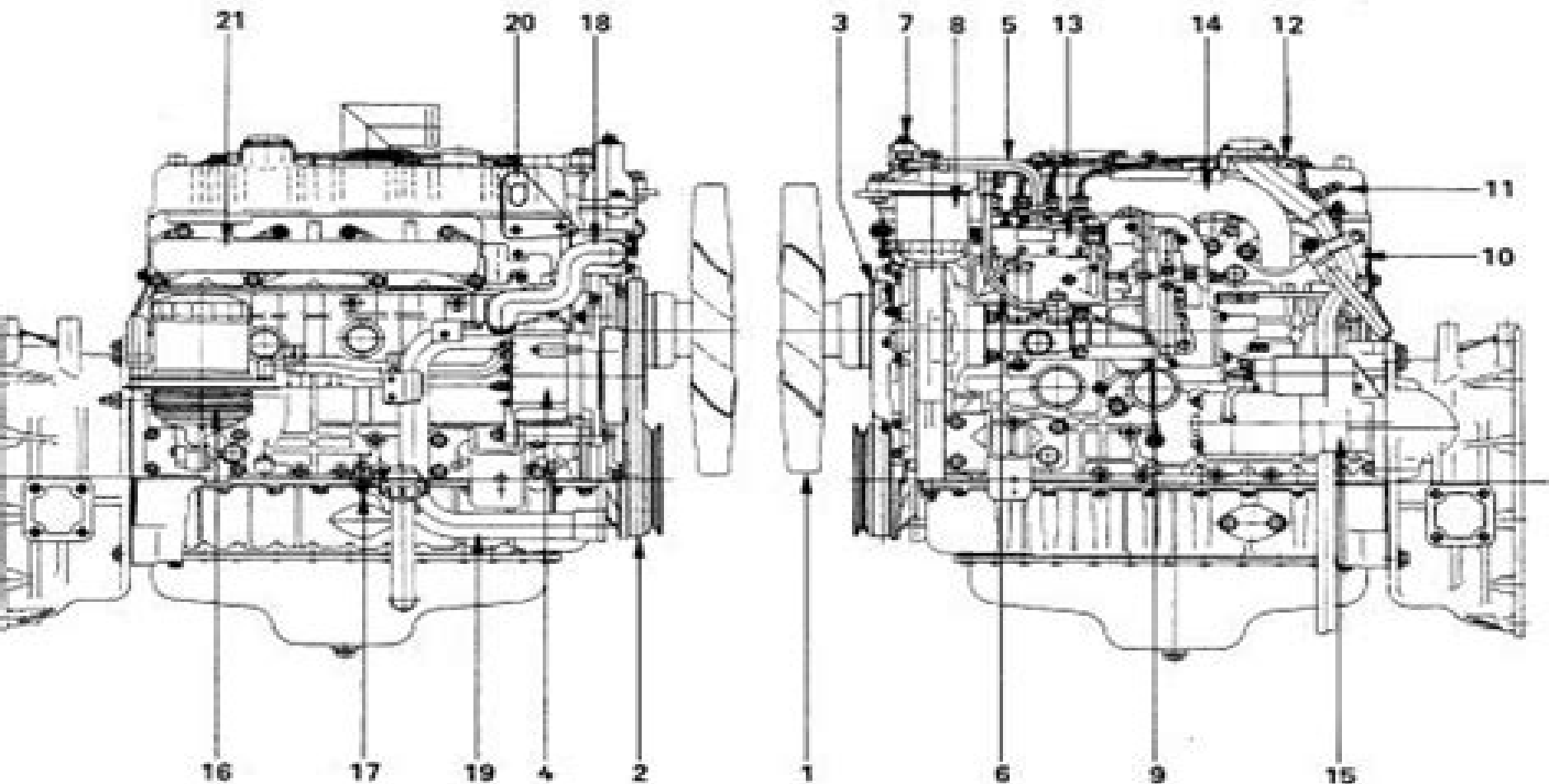


SERVICE MANUAL

4JB1 ISUZU

ENGINES



Isuzu Engine Repair Manual

Lingjun Ying



Isuzu Engine Repair Manual:

Decoding **Isuzu Engine Repair Manual**: Revealing the Captivating Potential of Verbal Expression

In a time characterized by interconnectedness and an insatiable thirst for knowledge, the captivating potential of verbal expression has emerged as a formidable force. Its capability to evoke sentiments, stimulate introspection, and incite profound transformations is genuinely awe-inspiring. Within the pages of "**Isuzu Engine Repair Manual**," a mesmerizing literary creation penned by a celebrated wordsmith, readers attempt an enlightening odyssey, unraveling the intricate significance of language and its enduring impact on our lives. In this appraisal, we shall explore the book's central themes, evaluate its distinctive writing style, and gauge its pervasive influence on the hearts and minds of its readership.

<https://py.bijouxmedusa.com/About/Resources/Documents/textbook%20us%20history.pdf>

Table of Contents Isuzu Engine Repair Manual

1. Understanding the eBook Isuzu Engine Repair Manual
 - The Rise of Digital Reading Isuzu Engine Repair Manual
 - Advantages of eBooks Over Traditional Books
2. Identifying Isuzu Engine Repair Manual
 - Exploring Different Genres
 - Considering Fiction vs. Non-Fiction
 - Determining Your Reading Goals
3. Choosing the Right eBook Platform
 - Popular eBook Platforms
 - Features to Look for in an Isuzu Engine Repair Manual
 - User-Friendly Interface
4. Exploring eBook Recommendations from Isuzu Engine Repair Manual
 - Personalized Recommendations
 - Isuzu Engine Repair Manual User Reviews and Ratings
 - Isuzu Engine Repair Manual and Bestseller Lists

5. Accessing Isuzu Engine Repair Manual Free and Paid eBooks
 - Isuzu Engine Repair Manual Public Domain eBooks
 - Isuzu Engine Repair Manual eBook Subscription Services
 - Isuzu Engine Repair Manual Budget-Friendly Options
6. Navigating Isuzu Engine Repair Manual eBook Formats
 - ePub, PDF, MOBI, and More
 - Isuzu Engine Repair Manual Compatibility with Devices
 - Isuzu Engine Repair Manual Enhanced eBook Features
7. Enhancing Your Reading Experience
 - Adjustable Fonts and Text Sizes of Isuzu Engine Repair Manual
 - Highlighting and Note-Taking Isuzu Engine Repair Manual
 - Interactive Elements Isuzu Engine Repair Manual
8. Staying Engaged with Isuzu Engine Repair Manual
 - Joining Online Reading Communities
 - Participating in Virtual Book Clubs
 - Following Authors and Publishers Isuzu Engine Repair Manual
9. Balancing eBooks and Physical Books Isuzu Engine Repair Manual
 - Benefits of a Digital Library
 - Creating a Diverse Reading Collection Isuzu Engine Repair Manual
10. Overcoming Reading Challenges
 - Dealing with Digital Eye Strain
 - Minimizing Distractions
 - Managing Screen Time
11. Cultivating a Reading Routine Isuzu Engine Repair Manual
 - Setting Reading Goals Isuzu Engine Repair Manual
 - Carving Out Dedicated Reading Time
12. Sourcing Reliable Information of Isuzu Engine Repair Manual
 - Fact-Checking eBook Content of Isuzu Engine Repair Manual
 - Distinguishing Credible Sources
13. Promoting Lifelong Learning

- Utilizing eBooks for Skill Development
 - Exploring Educational eBooks
14. Embracing eBook Trends
- Integration of Multimedia Elements
 - Interactive and Gamified eBooks

Isuzu Engine Repair Manual Introduction

In this digital age, the convenience of accessing information at our fingertips has become a necessity. Whether its research papers, eBooks, or user manuals, PDF files have become the preferred format for sharing and reading documents. However, the cost associated with purchasing PDF files can sometimes be a barrier for many individuals and organizations. Thankfully, there are numerous websites and platforms that allow users to download free PDF files legally. In this article, we will explore some of the best platforms to download free PDFs. One of the most popular platforms to download free PDF files is Project Gutenberg. This online library offers over 60,000 free eBooks that are in the public domain. From classic literature to historical documents, Project Gutenberg provides a wide range of PDF files that can be downloaded and enjoyed on various devices. The website is user-friendly and allows users to search for specific titles or browse through different categories. Another reliable platform for downloading Isuzu Engine Repair Manual free PDF files is Open Library. With its vast collection of over 1 million eBooks, Open Library has something for every reader. The website offers a seamless experience by providing options to borrow or download PDF files. Users simply need to create a free account to access this treasure trove of knowledge. Open Library also allows users to contribute by uploading and sharing their own PDF files, making it a collaborative platform for book enthusiasts. For those interested in academic resources, there are websites dedicated to providing free PDFs of research papers and scientific articles. One such website is Academia.edu, which allows researchers and scholars to share their work with a global audience. Users can download PDF files of research papers, theses, and dissertations covering a wide range of subjects. Academia.edu also provides a platform for discussions and networking within the academic community. When it comes to downloading Isuzu Engine Repair Manual free PDF files of magazines, brochures, and catalogs, Issuu is a popular choice. This digital publishing platform hosts a vast collection of publications from around the world. Users can search for specific titles or explore various categories and genres. Issuu offers a seamless reading experience with its user-friendly interface and allows users to download PDF files for offline reading. Apart from dedicated platforms, search engines also play a crucial role in finding free PDF files. Google, for instance, has an advanced search feature that allows users to filter results by file type. By specifying the file type as "PDF," users can find websites that offer free PDF downloads on a specific topic. While downloading Isuzu Engine Repair Manual free PDF files is convenient, its

important to note that copyright laws must be respected. Always ensure that the PDF files you download are legally available for free. Many authors and publishers voluntarily provide free PDF versions of their work, but its essential to be cautious and verify the authenticity of the source before downloading Isuzu Engine Repair Manual. In conclusion, the internet offers numerous platforms and websites that allow users to download free PDF files legally. Whether its classic literature, research papers, or magazines, there is something for everyone. The platforms mentioned in this article, such as Project Gutenberg, Open Library, Academia.edu, and Issuu, provide access to a vast collection of PDF files. However, users should always be cautious and verify the legality of the source before downloading Isuzu Engine Repair Manual any PDF files. With these platforms, the world of PDF downloads is just a click away.

FAQs About Isuzu Engine Repair Manual Books

What is a Isuzu Engine Repair Manual PDF? A PDF (Portable Document Format) is a file format developed by Adobe that preserves the layout and formatting of a document, regardless of the software, hardware, or operating system used to view or print it. **How do I create a Isuzu Engine Repair Manual PDF?** There are several ways to create a PDF: Use software like Adobe Acrobat, Microsoft Word, or Google Docs, which often have built-in PDF creation tools. Print to PDF: Many applications and operating systems have a "Print to PDF" option that allows you to save a document as a PDF file instead of printing it on paper. Online converters: There are various online tools that can convert different file types to PDF. **How do I edit a Isuzu Engine Repair Manual PDF?** Editing a PDF can be done with software like Adobe Acrobat, which allows direct editing of text, images, and other elements within the PDF. Some free tools, like PDFescape or Smallpdf, also offer basic editing capabilities. **How do I convert a Isuzu Engine Repair Manual PDF to another file format?** There are multiple ways to convert a PDF to another format: Use online converters like Smallpdf, Zamzar, or Adobe Acrobats export feature to convert PDFs to formats like Word, Excel, JPEG, etc. Software like Adobe Acrobat, Microsoft Word, or other PDF editors may have options to export or save PDFs in different formats. **How do I password-protect a Isuzu Engine Repair Manual PDF?** Most PDF editing software allows you to add password protection. In Adobe Acrobat, for instance, you can go to "File" -> "Properties" -> "Security" to set a password to restrict access or editing capabilities. Are there any free alternatives to Adobe Acrobat for working with PDFs? Yes, there are many free alternatives for working with PDFs, such as: LibreOffice: Offers PDF editing features. PDFsam: Allows splitting, merging, and editing PDFs. Foxit Reader: Provides basic PDF viewing and editing capabilities. How do I compress a PDF file? You can use online tools like Smallpdf, ILovePDF, or desktop software like Adobe Acrobat to compress PDF files without significant quality loss. Compression reduces the file size, making it easier to share and download. Can I fill out forms in a PDF file? Yes, most PDF viewers/editors like Adobe Acrobat,

Preview (on Mac), or various online tools allow you to fill out forms in PDF files by selecting text fields and entering information. Are there any restrictions when working with PDFs? Some PDFs might have restrictions set by their creator, such as password protection, editing restrictions, or print restrictions. Breaking these restrictions might require specific software or tools, which may or may not be legal depending on the circumstances and local laws.

Find Isuzu Engine Repair Manual :

textbook us history

~~test iz engleskog za 3 razred osnovne skole avidox
tereliye~~

~~the book with no pictures bj novak~~

~~syllabus for diploma in mechanical engineering 6th semester~~

~~the alchemist malayalam translation~~

~~text appeal for guys~~

~~texas paper license plate template~~

~~telemetry principles by patranabis~~

~~textile trends for fall winter 2017 18 ispo press~~

~~terence tao real analysis~~

~~teaching aptitude questions and answers in hindi~~

the 1987 philippine constitution a reviewer primer joaquin g bernas

the bible of bee venom therapy integrative chi kung

~~teddlie c tashakkori a 2009 foundations of mixed~~

Isuzu Engine Repair Manual :

mujeres que ya no sufren por amor casa del libro - Jan 08 2023

web una invitación a que hombres y mujeres se deshagan de sus antiguos roles de sus viejas penas y con ilusión y rebeldía avancen decididos hacia su libertad desembarazarse del mito del amor romántico no es fácil conlleva un proceso lento un viaje interior convulso pero también apasionante

download mujeres que ya no sufren por amor transformando el - Jul 14 2023

web may 21 2018 una invitación a que hombres y mujeres se deshagan de sus antiguos roles de sus viejas penas y con

ilusión y rebeldía avancen decididos hacia su libertad desembarazarse del mito del amor romántico no es fácil conlleva un proceso lento un viaje interior convulso pero también apasionante

mujeres que ya no sufren por amor transformando el mito - Apr 11 2023

web mujeres que ya no sufren por amor transformando el mito romántico tapa blanda 17 abril 2018 edición en español de coral herrera gómez author

amazon es opiniones de clientes mujeres que ya no sufren por amor - Feb 26 2022

web vea reseñas y calificaciones de reseñas que otros clientes han escrito de mujeres que ya no sufren por amor transformando el mito romántico 677 coleccion mayor en amazon com lea reseñas de productos sinceras e imparciales de nuestros usuarios

mujeres que ya no sufren por amor transformando el mito romántico - Nov 06 2022

web may 21 2018 mujeres que ya no sufren por amor transformando el mito romántico coral herrera gómez coral herrera nos trata de mostrar a través de un corto ensayo además muy fácil de leer y entender cómo otro tipo de relaciones de pareja heterosexuales son posibles

mujeres que ya no sufren por amor transformando e - Dec 27 2021

web mujeres que ya no sufren por amor transformando e as recognized adventure as well as experience virtually lesson amusement as well as union can be gotten by just checking out a ebook mujeres que ya no sufren por amor transformando e after that it is not directly done you could acknowledge even more going on for this life vis vis the world

mujeres que ya no sufren por amor transformando el mito - Aug 03 2022

web en este momento mujeres de todo el mundo sufren por amor soñando con un modelo de hombre que no existe con una pareja ideal como tabla de salvación gracias a la educación recibida a la sociedad a los cuentos de hadas al cine de hollywood a la herencia religiosa a un larguísimo etcétera han conseguido volvernors adictas a la

mujeres que ya no sufren por amor transformando el mito - Oct 05 2022

web may 21 2018 0 reviews reviews aren t verified but google checks for and removes fake content when it s identified en este momento mujeres de todo el mundo sufren por amor soñando con un modelo de

mujeres que ya no sufren por amor transformando el mito - Mar 30 2022

web compre online mujeres que ya no sufren por amor transformando el mito romántico 677 de herrera gómez coral na amazon frete grÁtis em milhares de produtos com o amazon prime encontre diversos livros escritos

mujeres que ya no sufren por amor on apple books - Sep 04 2022

web mujeres que ya no sufren por amor transformando el mito romántico coral herrera gómez 4 6 8 ratings 12 99 publisher description en este momento mujeres de todo el mundo sufren por amor soñando con un modelo de hombre que no existe con

una pareja ideal como tabla de salvación gracias a la educación recibida a la sociedad
[mujeres que ya no sufren por amor transformando el mito romántico 677](#) - Dec 07 2022

web de coral herrera gomez autor colaborador 4 3 1 039 valoraciones ver todos los formatos y ediciones en este momento mujeres de todo el mundo sufren por amor soñando con un modelo de hombre que no existe

mujeres que ya no sufren por amor transformando e rodrigo - Jan 28 2022

web mujeres que ya no sufren por amor coral herrera gómez 2018 05 21 en este momento mujeres de todo el mundo sufren por amor soñando con un modelo de hombre que no existe con una pareja ideal como tabla de salvación gracias a la

mujeres que ya no sufren por amor perlego - Jun 01 2022

web una invitación a que hombres y mujeres se deshagan de sus antiguos roles de sus viejas penas y con ilusión y rebeldía avancen decididos hacia su libertad desembarazarse del mito del amor romántico no es fácil conlleva un proceso lento un viaje interior convulso pero también apasionante

mujeres que ya no sufren por amor catarata - Mar 10 2023

web may 21 2018 una invitación a que hombres y mujeres se deshagan de sus antiguos roles de sus viejas penas y con ilusión y rebeldía avancen decididos hacia su libertad desembarazarse del mito del amor romántico no es fácil conlleva un proceso lento un viaje interior convulso pero también apasionante

pdf mujeres que ya no sufren por amor transformando el mito - Aug 15 2023

web mujeres que ya no sufren por amor transf ale cab también coordina el laboratorio del amor una red social de mujeres y un taller permanente en torno a los estudios sobre las relaciones amorosas desde una perspectiva de género

mujeres que ya no sufren por amor transformando el mito romántico - Jul 02 2022

web jun 9 2018 mujeres que ya no sufren por amor transformando el mito romántico coral herrera gómez mi nuevo libro ya está a la venta en librerías y en internet editorial libros de la

mujeres que ya no sufren por amor transformando el mito - Feb 09 2023

web mujeres que ya no sufren por amor transformando el mito romántico herrera gómez coral amazon com tr
[descargar mujeres que ya no sufren por amor transformando el](#) - Apr 30 2022

web sinopsis epub pdf audible resumen de mujeres que ya no sufren por amor transformando el mito romántico de coral herrera qué tal desterrar de una vez por todas al príncipe azul de nuestras vidas o mejor dicho de nuestros sueños

mujeres que ya no sufren por amor transformando el mit - May 12 2023

web apr 1 2018 en este texto se expone la importancia del desaprender de desmitificar el amor la importancia del amor propio la decisión de amar y de soltar desde y por el amor las presiones sociales que se ejercen hacia las mujeres pero lo que más capto mi atención fue que coral afirmar que es sanador y valioso permitirse amar a otras

mujeres que ya no sufren por amor transformando el mito - Jun 13 2023

web apr 17 2018 mujeres que ya no sufren por amor transformando el mito romántico coral herrera gómez coral herrera nos trata de mostrar a través de un corto ensayo además muy fácil de leer y entender cómo otro tipo de relaciones de pareja heterosexuales son posibles

il preventivo nello studio dentistico comunicare con il paziente in - Jul 06 2023

web il preventivo nello studio dentistico comunicare con il paziente in modo efficace e convincente formato kindle di cristina mariani autore davis cussotto collaboratore

il preventivo nello studio dentistico itaca lab - Sep 27 2022

web mar 27 2015 in primo luogo il preventivo è lo strumento principale di comunicazione scritta tra lo studio dentistico e il paziente per di più nel caso di importi consistenti

il preventivo nello studio dentistico comunicare con il paziente in - Jun 05 2023

web il volume affronta tutti i temi relativi ai preventivi di costo delle cure odontoiatriche documenti fondamentali per la scelta del paziente e parte di un discorso più ampio sulle

il preventivo nello studio dentistico comunicare con il paziente in - Aug 07 2023

web il preventivo nello studio dentistico comunicare con il paziente in modo efficace e convincente mariani cristina amazon it libri

il preventivo nello studio dentistico dentista manager - Feb 01 2023

web il preventivo nello studio dentistico comunicare con il paziente in modo efficace e convincente è un ebook di mariani cristina pubblicato da edra a 9 99 il file è in formato

il preventivo nello studio dentistico comunicare pdf - Dec 19 2021

il preventivo ecco come prepararlo gestirlo e presentarlo - Mar 02 2023

web jun 7 2021 il preventivo è una delle attività più frequenti dello studio dentistico e riveste una importanza fondamentale sul piano clinico economico finanziario medico

il preventivo nello studio dentistico comunicare 2023 protese - Sep 08 2023

web il volume affronta tutti i temi relativi ai preventivi di costo delle cure odontoiatriche documenti fondamentali per la scelta del paziente e parte di un discorso più ampio sulle

il preventivo nello studio dentistico edizioniedra - Apr 03 2023

web apr 29 2016 il libro si rivolge ai dentisti e ai suoi collaboratori e si articola in 5 snelli e veloci capitoli una premessa sullo studio dentistico come impresa un capitolo sulla

il preventivo nello studio dentistico comunicare con il paziente in - Dec 31 2022

web sep 22 2017 se vogliamo essere ancora più efficaci nella comunicazione scritta con il paziente integriamo il preventivo con documenti che lo completano e lo chiariscono in

il preventivo nello studio dentistico comunicare con il paziente in - Oct 29 2022

web il volume affronta tutti i temi relativi ai preventivi di costo delle cure odontoiatriche documenti

preventivo scritto ecco i consigli per realizzarlo in maniera - Nov 29 2022

web il preventivo nello studio dentistico comunicare con il paziente in modo efficace e convincente ebook written by cristina mariani read this book using google play

il preventivo nello studio dentistico comunicare con il paziente in - May 04 2023

web il volume affronta tutti i temi relativi ai preventivi di costo delle cure odontoiatriche documenti fondamentali per la scelta del paziente e parte di un discorso più ampio sulle

il preventivo nello studio dentistico comunicare con il paziente in - Mar 22 2022

web this il preventivo nello studio dentistico comunicare as one of the most keen sellers here will unconditionally be in the midst of the best options to review repertorio

il preventivo nello studio medico e odontoiatrico - Oct 09 2023

web il preventivo dello studio dentistico comunicare con il paziente in modo efficace e convincente gazzetta ufficiale della repubblica italiana parte prima yo yo denti di lupo

il preventivo nello studio dentistico comunicare loretta - Feb 18 2022

web crescere il tuo studio odontoiatrico il preventivo nello studio dentistico unicare con il preventivi efficaci cristina mariani franco angeli 2015 il preventivo nello studio

il preventivo dello studio dentistico comunicare con i - Jul 26 2022

web jun 27 2023 27 giugno 2023 team di ciaodoc un aspetto imprescindibile dell'attività di uno studio dentistico è la corretta strutturazione e comunicazione di un preventivo

il preventivo efficace come impostarlo come presentarlo anche - Aug 27 2022

web il volume affronta tutti i temi relativi ai preventivi di costo delle cure odontoiatriche doc il preventivo dello studio dentistico comunicare con il paziente in modo efficace e

il preventivo nello studio dentistico comunicare con il paziente - Jan 20 2022

web la gestione pratica del paziente odontoiatrico protocolli linee guida norme con cd rom la stomatologia periodico mensile il preventivo dello studio dentistico comunicare

il preventivo nello studio dentistico comunicare con il paziente in - Apr 22 2022

web il volume affronta tutti i temi relativi ai preventivi di costo delle cure odontoiatriche documenti fondamentali per la scelta del paziente e parte di un discorso più ampio sulle

preventivo dentista cosa includere e come proporlo - Jun 24 2022

web questo nuovo modo di condurre il gioco ci viene spiegato da cristina mariani blogger imprenditrice scrittrice docente giornalista e autrice del libro il preventivo nello studio

il preventivo nello studio dentistico dental cadmos - May 24 2022

web il preventivo nello studio dentistico comunicare con il paziente in modo efficace e convincente mariani cristina amazon com au books

what is business data communications - Nov 24 2021

15 5 data communications networks exploring business - Jan 27 2022

web basic data communications learn the answers to key questions basic data communications has been written to teach you the structure of of computer networks

business data communications and networking 14th edition - Sep 03 2022

web ch03 testbank bdc7e business data communications infrastructure networking and security 7th edition ch01 testbank answer key bdc7e ch08 testbank

ch02 testbank answer key bdc7e business data - Jun 12 2023

web ch018 testbank bdc7e business data communications infrastructure networking and security 7th edition preview text business data communications infrastructure

business data communications and networks boston university - Feb 25 2022

web dec 6 2022 the most common type of data communication network is a local area network lan which connects computers and devices in a single location such as an

data communications and networking 5th edition quizlet - Jul 13 2023

web ch02 testbank answer key bdc7e business data communications infrastructure networking and studocu

ch017 testbank answer key bdc7e business data - Oct 04 2022

web questions and answers introduction what is meant by data communication and explain its characteristics what are the components of data communication explain different

ch07 testbank answer key bdc7e business data - Mar 09 2023

web clear student friendly chapters introduce explain and summarize fundamental concepts and applications such as server architecture network and transport layers network

business data communications and networks flashcards quizlet - Nov 05 2022

web peer to peer networks connect a similar set of computers that share their data and software with each other function as equals router device that connects two or more

[business data communications and networking 12th](#) - Aug 14 2023

web find step by step solutions and answers to data communications and networking 9780077445393 as well as thousands of textbooks so you can move forward with

[business communication mcq with answers pdf cbse](#) - Sep 22 2021

ch01 testbank answer key bdc7e business data - Apr 10 2023

web ch018 testbank answer key bdc7e business data communications infrastructure networking and studocu business data communications infrastructure

business data communications and networking notes stuvia - Mar 29 2022

web apr 22 2020 business data communications and networking 13th edition fitzgerald test bank by alibabadownloadjo issuu full download

[ch07 testbank answer key bdc7e business data](#) - May 31 2022

web use and understand networking terminology be able to design a complete network choose a networking technology suitable to solve a business problem successfully

basic data communications nick ara - Oct 24 2021

business data communications and networking chapter 1 - Aug 02 2022

web 1 five components of a data communication system are the sender receiver transmission medium message and protocol 2 advantages of distributed processing are security

ch06 testbank answer key bdc7e business data - Feb 08 2023

web host based networks client based networks client server networks and peer to peer networks four basic functions of an application software package i data storage ii

business data communications and networking 13th edition - Dec 26 2021

web nov 30 2021 business communication mcq with answers pdf this business communication mcq pdf is compulsory for the cbse board exam according to the

ch018 testbank answer key bdc7e business data - Jan 07 2023

web ch017 testbank answer key bdc7e business data communications infrastructure networking and studocu business data

communications infrastructure

solution manual for data communications and - May 11 2023

web ch014 testbank answer key bdc7e ch02 testbank answer key bdc7e ch04 testbank answer key bdc7e ch08 testbank answer key bdc7e ch01 testbank

business data communications and networking 14th edition - Dec 06 2022

web oct 30 2020 business data communications and networking 14th edition presents a classroom tested approach to the subject combining foundational concepts practical

data communications and networking questions and answers - Jul 01 2022

web sep 5 2022 view all 12 summaries of business data communications and networking written by jerry fitzgerald alan dennis alexandra durcikova discover your study

solution manual for data communications and networking by - Apr 29 2022

web key takeaways data communication networks transmit digital data from one computer to another computer using a variety of wired and wireless communication channels