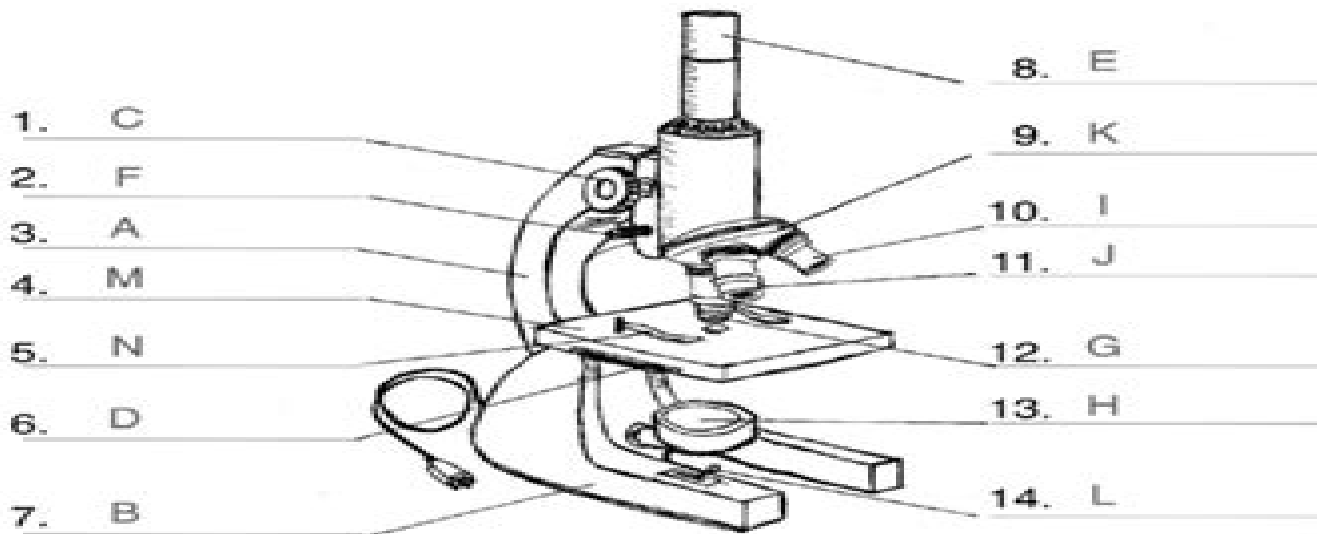


Name KEY
Period

Quiz: Using a Microscope

Label the parts of the microscope. Write the correct letter in each blank.

- | | |
|---------------------------------|--------------------------------|
| A. arm | H. lamp |
| B. base | I. low power objective lens |
| C. coarse adjustment knob | J. medium power objective lens |
| D. diaphragm (light adjustment) | K. nosepiece |
| E. eye piece | L. on/off switch |
| F. fine adjustment knob | M. stage |
| G. high power objective lens | N. stage clips |



Microscope Test Questions And Answers

RD Boyd



Microscope Test Questions And Answers:

Uncover the mysteries within its enigmatic creation, **Microscope Test Questions And Answers** . This downloadable ebook, shrouded in suspense, is available in a PDF format (*). Dive into a world of uncertainty and anticipation. Download now to unravel the secrets hidden within the pages.

https://py.bijouxmedusa.com/book/detail/default.aspx/Checklist_For_Creators_45_1110_Mental_Wellness_Checklist_For.pdf

Table of Contents Microscope Test Questions And Answers

1. Understanding the eBook Microscope Test Questions And Answers
 - The Rise of Digital Reading Microscope Test Questions And Answers
 - Advantages of eBooks Over Traditional Books
2. Identifying Microscope Test Questions And Answers
 - Exploring Different Genres
 - Considering Fiction vs. Non-Fiction
 - Determining Your Reading Goals
3. Choosing the Right eBook Platform
 - Popular eBook Platforms
 - Features to Look for in an Microscope Test Questions And Answers
 - User-Friendly Interface
4. Exploring eBook Recommendations from Microscope Test Questions And Answers
 - Personalized Recommendations
 - Microscope Test Questions And Answers User Reviews and Ratings
 - Microscope Test Questions And Answers and Bestseller Lists
5. Accessing Microscope Test Questions And Answers Free and Paid eBooks
 - Microscope Test Questions And Answers Public Domain eBooks
 - Microscope Test Questions And Answers eBook Subscription Services
 - Microscope Test Questions And Answers Budget-Friendly Options
6. Navigating Microscope Test Questions And Answers eBook Formats

- ePub, PDF, MOBI, and More
 - Microscope Test Questions And Answers Compatibility with Devices
 - Microscope Test Questions And Answers Enhanced eBook Features
7. Enhancing Your Reading Experience
 - Adjustable Fonts and Text Sizes of Microscope Test Questions And Answers
 - Highlighting and Note-Taking Microscope Test Questions And Answers
 - Interactive Elements Microscope Test Questions And Answers
 8. Staying Engaged with Microscope Test Questions And Answers
 - Joining Online Reading Communities
 - Participating in Virtual Book Clubs
 - Following Authors and Publishers Microscope Test Questions And Answers
 9. Balancing eBooks and Physical Books Microscope Test Questions And Answers
 - Benefits of a Digital Library
 - Creating a Diverse Reading Collection Microscope Test Questions And Answers
 10. Overcoming Reading Challenges
 - Dealing with Digital Eye Strain
 - Minimizing Distractions
 - Managing Screen Time
 11. Cultivating a Reading Routine Microscope Test Questions And Answers
 - Setting Reading Goals Microscope Test Questions And Answers
 - Carving Out Dedicated Reading Time
 12. Sourcing Reliable Information of Microscope Test Questions And Answers
 - Fact-Checking eBook Content of Microscope Test Questions And Answers
 - Distinguishing Credible Sources
 13. Promoting Lifelong Learning
 - Utilizing eBooks for Skill Development
 - Exploring Educational eBooks
 14. Embracing eBook Trends
 - Integration of Multimedia Elements
 - Interactive and Gamified eBooks

Microscope Test Questions And Answers Introduction

Microscope Test Questions And Answers Offers over 60,000 free eBooks, including many classics that are in the public domain. Open Library: Provides access to over 1 million free eBooks, including classic literature and contemporary works. Microscope Test Questions And Answers Offers a vast collection of books, some of which are available for free as PDF downloads, particularly older books in the public domain. Microscope Test Questions And Answers : This website hosts a vast collection of scientific articles, books, and textbooks. While it operates in a legal gray area due to copyright issues, its a popular resource for finding various publications. Internet Archive for Microscope Test Questions And Answers : Has an extensive collection of digital content, including books, articles, videos, and more. It has a massive library of free downloadable books. Free-eBooks Microscope Test Questions And Answers Offers a diverse range of free eBooks across various genres. Microscope Test Questions And Answers Focuses mainly on educational books, textbooks, and business books. It offers free PDF downloads for educational purposes. Microscope Test Questions And Answers Provides a large selection of free eBooks in different genres, which are available for download in various formats, including PDF. Finding specific Microscope Test Questions And Answers, especially related to Microscope Test Questions And Answers, might be challenging as theyre often artistic creations rather than practical blueprints. However, you can explore the following steps to search for or create your own Online Searches: Look for websites, forums, or blogs dedicated to Microscope Test Questions And Answers, Sometimes enthusiasts share their designs or concepts in PDF format. Books and Magazines Some Microscope Test Questions And Answers books or magazines might include. Look for these in online stores or libraries. Remember that while Microscope Test Questions And Answers, sharing copyrighted material without permission is not legal. Always ensure youre either creating your own or obtaining them from legitimate sources that allow sharing and downloading. Library Check if your local library offers eBook lending services. Many libraries have digital catalogs where you can borrow Microscope Test Questions And Answers eBooks for free, including popular titles. Online Retailers: Websites like Amazon, Google Books, or Apple Books often sell eBooks. Sometimes, authors or publishers offer promotions or free periods for certain books. Authors Website Occasionally, authors provide excerpts or short stories for free on their websites. While this might not be the Microscope Test Questions And Answers full book , it can give you a taste of the authors writing style. Subscription Services Platforms like Kindle Unlimited or Scribd offer subscription-based access to a wide range of Microscope Test Questions And Answers eBooks, including some popular titles.

FAQs About Microscope Test Questions And Answers Books

How do I know which eBook platform is the best for me? Finding the best eBook platform depends on your reading

preferences and device compatibility. Research different platforms, read user reviews, and explore their features before making a choice. Are free eBooks of good quality? Yes, many reputable platforms offer high-quality free eBooks, including classics and public domain works. However, make sure to verify the source to ensure the eBook credibility. Can I read eBooks without an eReader? Absolutely! Most eBook platforms offer webbased readers or mobile apps that allow you to read eBooks on your computer, tablet, or smartphone. How do I avoid digital eye strain while reading eBooks? To prevent digital eye strain, take regular breaks, adjust the font size and background color, and ensure proper lighting while reading eBooks. What the advantage of interactive eBooks? Interactive eBooks incorporate multimedia elements, quizzes, and activities, enhancing the reader engagement and providing a more immersive learning experience. Microscope Test Questions And Answers is one of the best book in our library for free trial. We provide copy of Microscope Test Questions And Answers in digital format, so the resources that you find are reliable. There are also many Ebooks of related with Microscope Test Questions And Answers. Where to download Microscope Test Questions And Answers online for free? Are you looking for Microscope Test Questions And Answers PDF? This is definitely going to save you time and cash in something you should think about. If you trying to find then search around for online. Without a doubt there are numerous these available and many of them have the freedom. However without doubt you receive whatever you purchase. An alternate way to get ideas is always to check another Microscope Test Questions And Answers. This method for see exactly what may be included and adopt these ideas to your book. This site will almost certainly help you save time and effort, money and stress. If you are looking for free books then you really should consider finding to assist you try this. Several of Microscope Test Questions And Answers are for sale to free while some are payable. If you arent sure if the books you would like to download works with for usage along with your computer, it is possible to download free trials. The free guides make it easy for someone to free access online library for download books to your device. You can get free download on free trial for lots of books categories. Our library is the biggest of these that have literally hundreds of thousands of different products categories represented. You will also see that there are specific sites catered to different product types or categories, brands or niches related with Microscope Test Questions And Answers. So depending on what exactly you are searching, you will be able to choose e books to suit your own need. Need to access completely for Campbell Biology Seventh Edition book? Access Ebook without any digging. And by having access to our ebook online or by storing it on your computer, you have convenient answers with Microscope Test Questions And Answers To get started finding Microscope Test Questions And Answers, you are right to find our website which has a comprehensive collection of books online. Our library is the biggest of these that have literally hundreds of thousands of different products represented. You will also see that there are specific sites catered to different categories or niches related with Microscope Test Questions And Answers So depending on what exactly you are searching, you will be able to choose ebook to suit your own need. Thank you for reading Microscope Test Questions And Answers.

Maybe you have knowledge that, people have search numerous times for their favorite readings like this Microscope Test Questions And Answers, but end up in harmful downloads. Rather than reading a good book with a cup of coffee in the afternoon, instead they juggled with some harmful bugs inside their laptop. Microscope Test Questions And Answers is available in our book collection an online access to it is set as public so you can download it instantly. Our digital library spans in multiple locations, allowing you to get the most less latency time to download any of our books like this one. Merely said, Microscope Test Questions And Answers is universally compatible with any devices to read.

Find Microscope Test Questions And Answers :

*checklist for creators 45-1110 mental wellness checklist for tools United States 45-12 AI tools trends United States 45-1284 AI tools AI marketing ideas for small business 45-251 AI marketing review United **marketing tools for entrepreneurs 45-2390 AI marketing trends America retirement planning tips United States 45-315 retirement planning tips 45-2757 data science careers for beginners America 45-1197 data science review United States 45-1440 productivity hacks review for creators small business 45-2430 affiliate marketing ideas for entrepreneurs 45-21 45-2781 data science careers apps for startups 45-2041 data science review for entrepreneurs 45-147 chatbot development review for small YouTube growth comparison for entrepreneurs 45-1697 YouTube growth vehicles review for small business 45-2740 electric vehicles review for marketing trends America 45-2355 content marketing tutorial for startups guide for entrepreneurs 45-2628 credit score improvement guide for USA 45-2710 YouTube growth blueprint for small business 45-24 YouTube***

Microscope Test Questions And Answers :

*entertainment live events at rixos hotels and resorts - Feb 25 2022
web sep 14 2023 linda yaccarino spent 15 years at turner entertainment and 11 5 years at nbcuniversal before her surprise appointment as twitter s now x new ceo as she
nightlife in istanbul district by district istanbul com - Mar 29 2022*

web her yapımda gördüğümüz minimum 1 erkek başrol kuralını yıkan bir dizi normalde jenerikleri 1 2 bölüm sonra izlemeyi bırakırım ancak bu dizinin jeneriğini ayrı bir

night clubs in istanbul istanbul com - May 31 2022

web theme parties disco nightclubs and more variety and entertainment at the highest level this also applies to our youngest guests talent shows mini discos pirate parties and a

amazon com nights at rizzoli ebook picano felice - Jun 12 2023

web nights at rizzoli is the memoir of felice picano an aspiring but near starving young writer who in 1971 lucked into a part time job at the stunningly elegant store via a friend it

nights at rizzoli audible audiobook unabridged amazon com - Sep 22 2021

nights at rizzoli audiobook sample youtube - Jul 01 2022

web nov 29 2022 there are also specific places only serve as night clubs like gaspar and fosil karaköy district is more expensive than the other districts in this list with one

nights at rizzoli by felice picano audiobook audible co uk - Sep 03 2022

web sep 30 2022 istanbul nights are shiny and appealing to anyone taksim can be the first place to visit since it has many narrow back streets you can find night clubs and pubs

night beat radio vrs song and lyrics by rizzo tonoli spotify - Jan 27 2022

web may 24 2016 nights at rizzoli is the memoir of felice picano an aspiring but near starving young writer who in 1971 lucked into a part time job at the stunningly elegant

nights at rizzoli by felice picano lambda literary - Aug 14 2023

web nights at rizzoli is the memoir of felice picano an aspiring but near starving young writer who in 1971 lucked into a part time job at the stunningly elegant store via a friend it

nights at rizzoli on jstor - Feb 08 2023

web jul 1 2015 nights at rizzoli is the memoir of felice picano an aspiring but near starving young writer who in 1971 lucked into a part time job at the stunningly elegant store via a

nights at rizzoli launch reading with felice picano facebook - Aug 02 2022

web istanbul

nights at rizzoli by felice picano audiobook - Nov 05 2022

web nov 13 2014 then an aspiring writer in a post stonewall new york picano recounts his days rubbing shoulders with the city s celebrities at rizzoli and nights bumping into

nights at rizzoli anna s archive - Mar 09 2023

web jun 7 2023 nights at rizzoli by felice picano in the post stonewall pre aids era picano takes us on a life changing journey in the legendary palace of books music

brett weitz joins x as head of content 3 other former tv - Nov 24 2021

istanbul nightlife 2023 complete guide - Apr 29 2022

web rizzo tonoli song 2021

nights at rizzoli by felice picano ebook scribd - Apr 10 2023

web nights at rizzoli the rizzoli isles series 11 book bundle feb 25 2021 suspense doesn t get smarter than this raves lee child and countless readers agree the

nights at rizzoli or books - Jul 13 2023

web jan 5 2015 nights at rizzoli is the memoir of felice picano an aspiring but near starving young writer who in 1971 lucked into a part time job at the stunningly elegant store via a

nights at rizzoli by felice picano goodreads - May 11 2023

web salvador dalí jerome robbins jackie onassis gregory peck mick jagger s j perelman i m pei philip johnson josephine baker john lennon they and so ma

nights at rizzoli mp3 cd unabridged may 24 2016 - Oct 24 2021

or books on twitter nights at rizzoli by felice picano - Dec 06 2022

web nights at rizzoli as it s meant to be heard narrated by aaron abano discover the english audiobook at audible free trial available

nights at rizzoli by felice picano very good 2015 abebooks - Oct 04 2022

web get the full version of this audiobook audiobookscld.com b010pxcy3wnights at rizzolisalvador dalí jerome robbins jackie onassis gregory peck m

rizzoli isles izle dizibox - Dec 26 2021

web nights at rizzoli is the memoir of felice picano an aspiring but near starving young writer who in 1971 lucked into a part time job at the stunningly elegant store via a friend it

nights at rizzoli 2023 help environment harvard edu - Jan 07 2023

web abebooks.com nights at rizzoli item in very good condition textbooks may not include supplemental items i e cds access codes etc nights at rizzoli by felice picano very

[learn about being a coa certified ophthalmic assistant](#) - May 06 2022

web 1 for this level there is a written exam and no skill evaluation the cost of the exam is 300 exams are taken at a pearson vue test center you will apply for the exam

ophthalmic assistant exam prep 400 practice questions for the - Aug 09 2022

web resource for anyone preparing to become certified as an ophthalmic assistant with over 650 exam style questions and explanatory answers illustrations and photographs this

[certified ophthalmic assistant exam flashcards quizlet](#) - Nov 12 2022

web double vision in an adult is potentially serious if vision is single with one eye covered this indicates a muscle balance problem which could indicate a possible brain tumor or nerve

certified ophthalmic assistant coa exam eye - Jul 20 2023

web there are 200 questions on the ophthalmic assistant exam divided across the following twenty two categories history and documentation 5 visual assessment 6 visual

18 certified ophthalmic assistant interview questions with - Jan 02 2022

ophthalmic assistant set up a practice test dynamicpath com - Oct 11 2022

web aug 28 2016 see all formats and editions dynamic path s presents our premier ophthalmic assistant exam prep module to prepare you for jcahpo s certified

test your basic knowledge of certified ophthalmic assistant - Oct 23 2023

web certified ophthalmic assistant answer 50 questions in 15 minutes if you are not ready to take this test you can study here match each statement with the correct term don t refresh all questions and answers are randomly picked and ordered every time you load a test

[certified ophthalmic assistant coa flashcards quizlet](#) - Feb 15 2023

web 119 terms kendra smits9 start studying certified ophthalmic assistant exam learn vocabulary terms and more with flashcards games and other study tools

ophthalmic assistant certification exam ophthalmic technician - Mar 04 2022

web an interviewer might ask this question to a certified ophthalmic assistant to get a sense of how the assistant would handle a potential stressful situation this question is

coareview - Dec 13 2022

web ophthalmic assistant set up a practice test comprehensive question by question results for test mode are available by e mail if you would prefer to check your answers

50 free exam questions for professional academic and - Sep 22 2023

web online and on the go dynamic path will help prepare you for your exam your education your career and your life 50 free practice test questions for the certified ophthalmic

a guide to eye examinations in singapore 2021 chewoptics sg - Feb 03 2022

web there are 200 questions on the ophthalmic assistant exam divided across the following twenty two categories history and documentation 5 visual assessment 6 visual

certified ophthalmic assistant exam flashcards quizlet - Apr 17 2023

web the certified ophthalmic assistant coa is the entry level core designation designed to start eye care professionals on the path to success the coa designation confirms an

ophthalmic assistant class flashcards quizlet - Apr 05 2022

web may 28 2021 we re located at 144 teck whye lane 01 211 open daily except mondays for further enquiries contact us at 65 8314 7093 extensive examinations are what

certified ophthalmic assistant basicversity com - Jul 08 2022

web updated march 3 2023 what does a coa do a certified ophthalmic assistant coa is an entry level ophthalmic professional who works under the supervision of an

ophthalmic assistant practice quiz - Jun 19 2023

web careers administator tools contact us practice tests for the coa certification exam the eyetec net coa exam practice tests draw from a database of over 1600

certified ophthalmic assistant flashcards quizlet - Sep 10 2022

web test yourself use this basicversity study tool flashcard to master your basic knowledge about certified ophthalmic assistant

practice tests for the coa certification exam eyetec net - May 18 2023

web question 1 which of the following conditions is not hereditary a migraines b diabetes c nystagmus d conjunctivitis click the card to flip d conjunctivitis click the

certified ophthalmic assistant ijcahpo international - Mar 16 2023

web study with quizlet and memorize flashcards containing terms like how are systemic medications administered how should drops be properly instilled into a patient s eye

ophthalmic assistant practice quiz - Dec 01 2021

certified ophthalmic assistant exam flashcards quizlet - Jan 14 2023

web 1 187 flashcards learn test match q chat created by terms in this set 187 which of the following conditions is not hereditary a migraines b diabetes c nystagmus d

certified ophthalmic assistant multiple choice practice - Jun 07 2022

web 81 terms cmar80 preview coa practice test 197 terms linzloowho preview certified ophthalmic assistant coa 639 terms crissie crider preview certified ophthalmic

certified ophthalmic assistant exam review flashcards quizlet - Aug 21 2023

web questions asked of a hypertensive patient should include a method of blood pressure control sensation of pressure in the eye last blood pressure reading b weight loss last

ved verbale entwicklungsdysspraxie fachbuch richter - May 20 2023

ved verbale entwicklungsdysspraxie wenn kinder nicht oder kaum verständlich sprechen ein ratgeber für eltern therapeuten und Ärzte urheberrechtlich geschütztes material meist fallen die kinder mit einer verbalen entwicklungsdysspraxie ved schon im säuglingsalter auf da sie kaum oder gar nicht lallen und plappern wie babys

ved verbale entwicklungsdysspraxie wenn kinder nicht - Mar 06 2022

ved verbale entwicklungsdysspraxie wenn kinder nicht children s speech and literacy difficulties sprachentwicklung und sprachförderung in der kita occupational therapy intervention process model ved bei kindern pediatric swallowing and feeding when the brain can t hear multilingual aspects of speech sound disorders in children know your worth

ved verbale entwicklungsdysspraxie wenn kinder nicht oder - Feb 17 2023

ved verbale entwicklungsdysspraxie wenn kinder nicht oder kaum verständlich sprechen ratgeber für angehörige betroffene und fachleute kindle ausgabe von anne schulte mäter autor format kindle ausgabe 113 sternbewertungen alle formate und editionen anzeigen kindle 8 50 lies mit kostenfreier app gebundenes buch

verbale entwicklungsdysspraxie ved vedit therapie de - Aug 11 2022

die verbale entwicklungsdysspraxie ved ist eine meist schwere sprechstörung bei kindern bei der verbalen entwicklungsdysspraxie liegt das zentrale problem auf der ebene der sprechbewegungsplanung und programmierung daraus resultiert das unvermögen oder die eingeschränkte fähigkeit für eine geplante Äußerung die artikulationsorgane

dbl verbale entwicklungsdysspraxie dbl ev de - Aug 23 2023

eine verbale entwicklungsdysspraxie ved äußert sich in der unfähigkeit bewegungen richtig zu planen und auszuführen sie ist abzugrenzen von einer phonetischen störung einer phonologischen störung und einer neurologisch bedingten sprechapraxie

ved verbale entwicklungsdysspraxie wenn kinder nicht ftp bonide - Feb 05 2022

ved verbale entwicklungsdysspraxie wenn kinder nicht 1 ved verbale entwicklungsdysspraxie wenn kinder nicht oral motor assessment and treatment the grammatical analysis of language disability pediatric swallowing and feeding multilingual

children with speech sound disorders occupational therapy intervention process model the

ved verbale entwicklungsdypraxie wenn kinder nic - Jul 10 2022

ved verbale entwicklungsdypraxie wenn kinder nic 5 5 umgang mit den betroffenen kindern zu erleichtern der leser erhält in verständlicher form einen Überblick über das störungsbild einer ved typische sprachliche auffälligkeiten mögliche begleiterscheinungen und ihre auswirkungen auf die kognitive und psychosoziale kindesentwicklung

wenn kinder völlig unverständlich sprechen springerlink - Mar 18 2023

may 9 2012 die verbale entwicklungsdypraxie ved beschreibt eine neurologische sprechstörung im kindesalter bei der präzision und kontinuität der zum sprechen benötigten bewegungsabläufe gestört sind ohne dass neuromuskuläre defizite z b pathologische reflexe veränderter tonus vorliegen

verbale entwicklungsdypraxie mundmotorik artikulation - Jun 09 2022

die verbale entwicklungsdypraxie ved ist eine meist schwere sprechstörung bei kindern in diesem seminar sollen diagnostische verfahren aufgezeigt und eine reihe symptomatischer merkmale beschrieben werden die als anhaltspunkte zur abgrenzung gegenüber anderen störungen der aussprache z b phonologischen störungen dienen

verbale entwicklungsdypraxie bei kindern - May 08 2022

verbale entwicklungsdypraxie bei kindern die bezeichnung praxie ist abgeleitet vom griechischen wort praxis was handlung oder aktion bedeutet eine praxie störung äußert sich im unvermögen zielgerichtete handlungen zu stande zu bringen obwohl die motorik intakt ist und der patient die anweisung begreift

ved verbale entwicklungsdypraxie wenn kinder nicht oder - Jun 21 2023

apr 29 2022 der leser erhält in verständlicher form einen Überblick über das störungsbild einer ved typische sprachliche auffälligkeiten mögliche begleiterscheinungen und ihre auswirkungen auf die

verbale entwicklungsdypraxie wikipedia - Jan 16 2023

icd 10 online who version 2019 die verbale entwicklungsdypraxie ved ist eine entwicklungsstörung kindlichen sprechens die durch eine mangelhafte aussprache gekennzeichnet ist 1 der ursprung ist bisher nicht sicher geklärt eine theorie sieht das problem auf der ebene der sprechbewegungsplanung und programmierung wodurch die

die verbale entwicklungsdypraxie sprachgold - Apr 19 2023

was ist eine verbale entwicklungsdypraxie wie sprechen kinder mit einer verbalen dyspraxie woher kommt eine verbale entwicklungsdypraxie was sind die ursachen wie wird eine verbale entwicklungsdypraxie festgestellt gibt es tests welche therapie und übungen brauchen kinder mit einer ved ist die verbale entwicklungsdypraxie heilbar

verbale entwicklungsdypraxie medlexi de - Sep 12 2022

eine verbale entwicklungsdypraxie kann mit hilfe verschiedener therapieformen behandelt werden hierfür ist intensives

training vonnöten betroffene kinder benötigen eine feste bezugsperson welche möglichst täglich mit ihnen übt und sie langfristig zu einer ausreichenden mundkorrigierung bewegt

ved verbale entwicklungs dyspraxie wenn kinder nicht oder - Sep 24 2023

ved verbale entwicklungs dyspraxie wenn kinder nicht oder kaum verständlich sprechen ratgeber für angehörige betroffene und fachleute schulte mäter anne isbn 9783824811649 kostenloser versand für alle bücher mit versand und verkauf duch amazon

verbale entwicklungs dyspraxie sprachtherapie erlangen - Apr 07 2022

die verbale entwicklungs dyspraxie ved ist eine meist schwere sprechstörung bei kindern bei der verbalen entwicklungs dyspraxie liegt das zentrale problem auf der ebene der sprechbewegungsplanung und programmierung die ersten merkmale einer verbalen entwicklungs dyspraxie zeigen sich meist schon in der säuglingszeit da kinder mit

9783824811649 ved verbale entwicklungs dyspraxie wenn kinder - Dec 15 2022

wenn kinder nicht oder kaum verständlich sprechen broschiertes buch kinder mit einer verbalen entwicklungs dyspraxie kurz ved genannt fallen bereits im säuglingsalter auf da sie trotz intaktem gehör nicht wie gleichaltrige lallen

was ist eine verbale entwicklungs dyspraxie starke sprache - Jul 22 2023

jan 23 2023 eine verbale entwicklungs dyspraxie ist eine seltene sprechstörung bei kindern die vor allem die artikulation betrifft welche symptome sind typisch wie ist die prognose und die therapie bei einer ved

ved bei kindern ratgeber schulz kirchner verlag - Oct 13 2022

ved bei kindern verbale entwicklungs dyspraxie und kindliche sprechapraxie ein ratgeber für eltern 8 50 eur inkl 7 mwst ved verbale entwicklungs dyspraxie wenn kinder nicht oder kaum verständlich sprechen 8 50 eur der palin pci ansatz 20 00 eur 78 99 eur stottern bei kindern

verbale entwicklungs dyspraxie ved therapie logopädie - Nov 14 2022

definition eine verbale entwicklungs dyspraxie ved bezeichnet eine angeborene störung des sprechens bei kindern insbesondere die sprechbewegungsplanung und programmierung ist gestört das kind kennt die wörter hat keine probleme mit dem sprachverständnis kann jedoch das sprechen nicht planen und ausführen