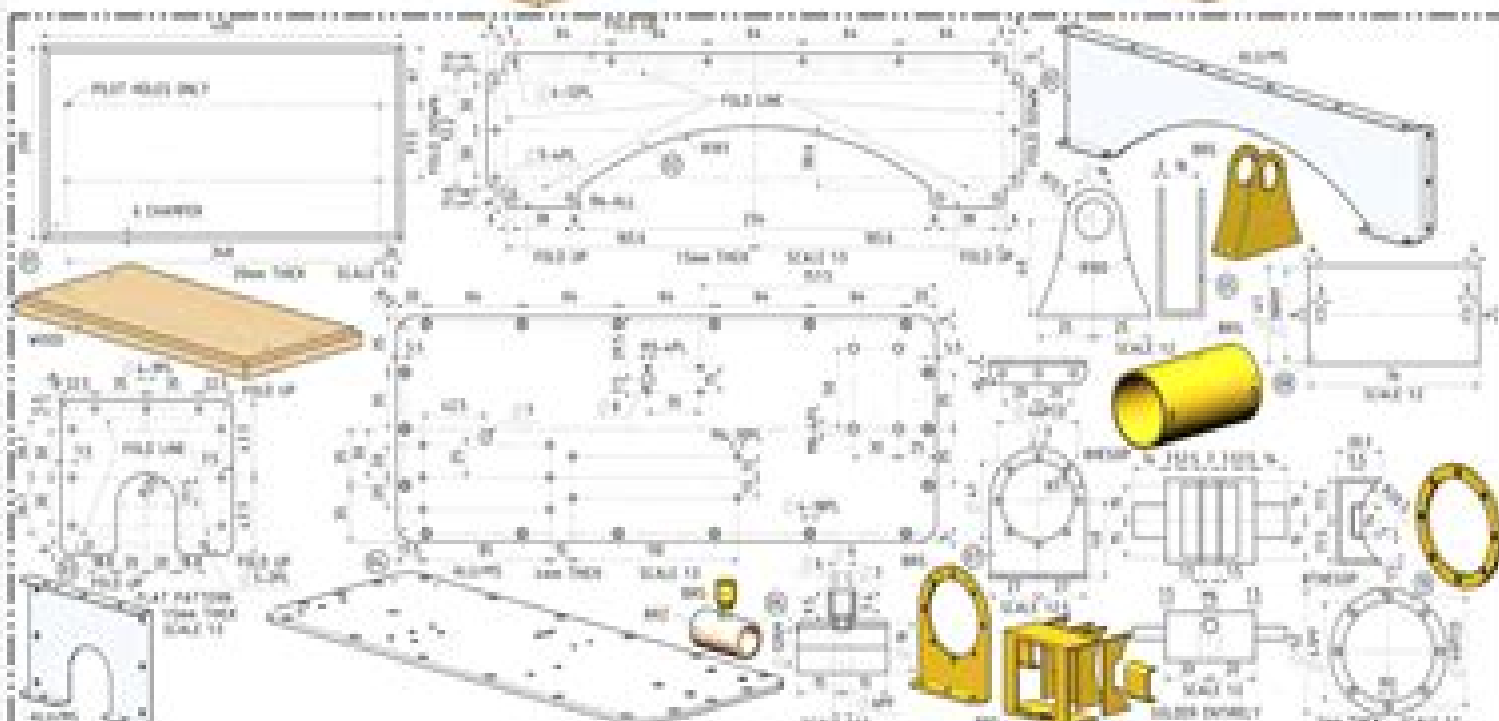
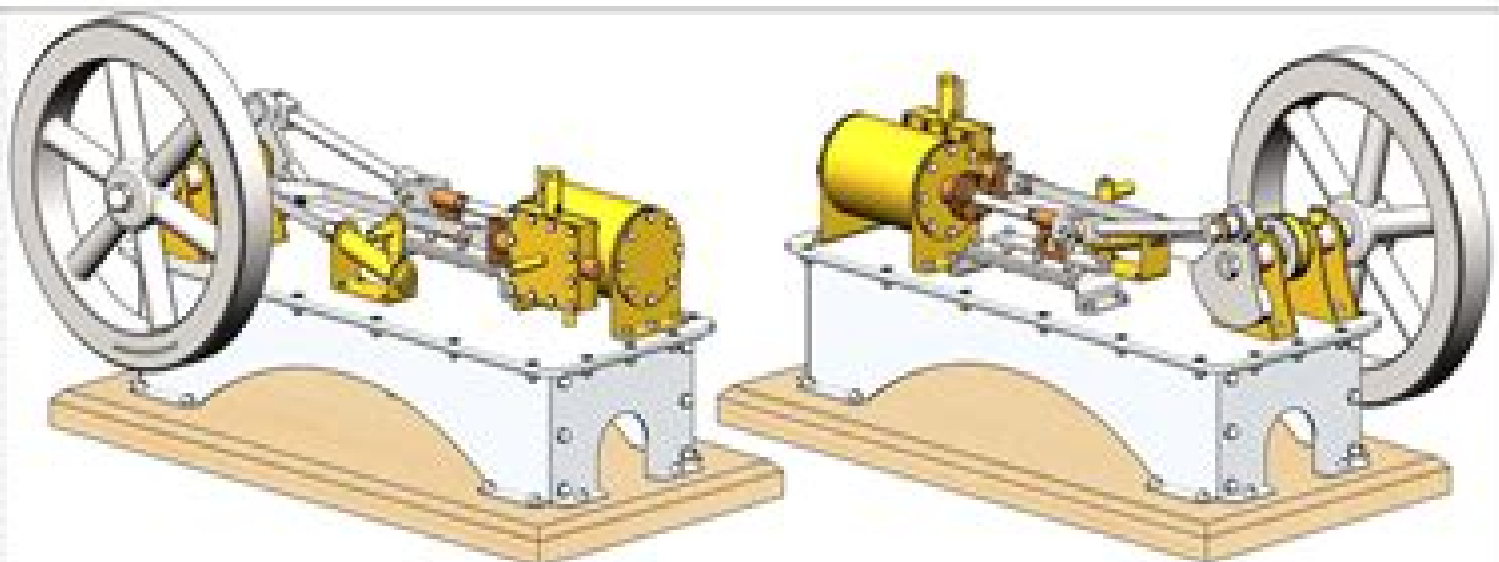


- 100244-01-000000 BASE 17" DIA
- 100244-02-000000 PLATE 10" X 10"
- 100244-03-000000 PLATE 10" X 10"
- 100244-04-000000 PLATE 10" X 10"
- 100244-05-000000 PLATE 10" X 10"
- 100244-06-000000 PLATE 10" X 10"
- 100244-07-000000 PLATE 10" X 10"
- 100244-08-000000 PLATE 10" X 10"
- 100244-09-000000 PLATE 10" X 10"
- 100244-10-000000 PLATE 10" X 10"
- 100244-11-000000 PLATE 10" X 10"
- 100244-12-000000 PLATE 10" X 10"
- 100244-13-000000 PLATE 10" X 10"
- 100244-14-000000 PLATE 10" X 10"
- 100244-15-000000 PLATE 10" X 10"
- 100244-16-000000 PLATE 10" X 10"
- 100244-17-000000 PLATE 10" X 10"
- 100244-18-000000 PLATE 10" X 10"
- 100244-19-000000 PLATE 10" X 10"
- 100244-20-000000 PLATE 10" X 10"
- 100244-21-000000 PLATE 10" X 10"
- 100244-22-000000 PLATE 10" X 10"
- 100244-23-000000 PLATE 10" X 10"
- 100244-24-000000 PLATE 10" X 10"
- 100244-25-000000 PLATE 10" X 10"
- 100244-26-000000 PLATE 10" X 10"
- 100244-27-000000 PLATE 10" X 10"
- 100244-28-000000 PLATE 10" X 10"
- 100244-29-000000 PLATE 10" X 10"
- 100244-30-000000 PLATE 10" X 10"
- 100244-31-000000 PLATE 10" X 10"
- 100244-32-000000 PLATE 10" X 10"
- 100244-33-000000 PLATE 10" X 10"
- 100244-34-000000 PLATE 10" X 10"
- 100244-35-000000 PLATE 10" X 10"
- 100244-36-000000 PLATE 10" X 10"
- 100244-37-000000 PLATE 10" X 10"
- 100244-38-000000 PLATE 10" X 10"
- 100244-39-000000 PLATE 10" X 10"
- 100244-40-000000 PLATE 10" X 10"
- 100244-41-000000 PLATE 10" X 10"
- 100244-42-000000 PLATE 10" X 10"
- 100244-43-000000 PLATE 10" X 10"
- 100244-44-000000 PLATE 10" X 10"
- 100244-45-000000 PLATE 10" X 10"
- 100244-46-000000 PLATE 10" X 10"
- 100244-47-000000 PLATE 10" X 10"
- 100244-48-000000 PLATE 10" X 10"
- 100244-49-000000 PLATE 10" X 10"
- 100244-50-000000 PLATE 10" X 10"
- 100244-51-000000 PLATE 10" X 10"
- 100244-52-000000 PLATE 10" X 10"
- 100244-53-000000 PLATE 10" X 10"
- 100244-54-000000 PLATE 10" X 10"
- 100244-55-000000 PLATE 10" X 10"
- 100244-56-000000 PLATE 10" X 10"
- 100244-57-000000 PLATE 10" X 10"
- 100244-58-000000 PLATE 10" X 10"
- 100244-59-000000 PLATE 10" X 10"
- 100244-60-000000 PLATE 10" X 10"
- 100244-61-000000 PLATE 10" X 10"
- 100244-62-000000 PLATE 10" X 10"
- 100244-63-000000 PLATE 10" X 10"
- 100244-64-000000 PLATE 10" X 10"
- 100244-65-000000 PLATE 10" X 10"
- 100244-66-000000 PLATE 10" X 10"
- 100244-67-000000 PLATE 10" X 10"
- 100244-68-000000 PLATE 10" X 10"
- 100244-69-000000 PLATE 10" X 10"
- 100244-70-000000 PLATE 10" X 10"
- 100244-71-000000 PLATE 10" X 10"
- 100244-72-000000 PLATE 10" X 10"
- 100244-73-000000 PLATE 10" X 10"
- 100244-74-000000 PLATE 10" X 10"
- 100244-75-000000 PLATE 10" X 10"
- 100244-76-000000 PLATE 10" X 10"
- 100244-77-000000 PLATE 10" X 10"
- 100244-78-000000 PLATE 10" X 10"
- 100244-79-000000 PLATE 10" X 10"
- 100244-80-000000 PLATE 10" X 10"
- 100244-81-000000 PLATE 10" X 10"
- 100244-82-000000 PLATE 10" X 10"
- 100244-83-000000 PLATE 10" X 10"
- 100244-84-000000 PLATE 10" X 10"
- 100244-85-000000 PLATE 10" X 10"
- 100244-86-000000 PLATE 10" X 10"
- 100244-87-000000 PLATE 10" X 10"
- 100244-88-000000 PLATE 10" X 10"
- 100244-89-000000 PLATE 10" X 10"
- 100244-90-000000 PLATE 10" X 10"
- 100244-91-000000 PLATE 10" X 10"
- 100244-92-000000 PLATE 10" X 10"
- 100244-93-000000 PLATE 10" X 10"
- 100244-94-000000 PLATE 10" X 10"
- 100244-95-000000 PLATE 10" X 10"
- 100244-96-000000 PLATE 10" X 10"
- 100244-97-000000 PLATE 10" X 10"
- 100244-98-000000 PLATE 10" X 10"
- 100244-99-000000 PLATE 10" X 10"
- 100244-100-000000 PLATE 10" X 10"



Model Steam Engine Plans For Everything

J Dewey



Model Steam Engine Plans For Everything:

Wonderful Models Percival Marshall,1928 *Motorboating - ND* ,1928-07 *Popular Mechanics* ,1948-05 Popular Mechanics inspires instructs and influences readers to help them master the modern world Whether it s practical DIY home improvement tips gadgets and digital technology information on the newest cars or the latest breakthroughs in science PM is the ultimate guide to our high tech lifestyle **Popular Science** ,1950-08 Popular Science gives our readers the information and tools to improve their technology and their world The core belief that Popular Science and our readers share The future is going to be better and science and technology are the driving forces that will help make it better **Popular Science** ,1973-05 Popular Science gives our readers the information and tools to improve their technology and their world The core belief that Popular Science and our readers share The future is going to be better and science and technology are the driving forces that will help make it better *The Corliss Engine* John T. Henthorn,Charles D. Thurber,1900

Popular Mechanics ,1953-10 Popular Mechanics inspires instructs and influences readers to help them master the modern world Whether it s practical DIY home improvement tips gadgets and digital technology information on the newest cars or the latest breakthroughs in science PM is the ultimate guide to our high tech lifestyle *Popular Science* ,1975-01 Popular Science gives our readers the information and tools to improve their technology and their world The core belief that Popular Science and our readers share The future is going to be better and science and technology are the driving forces that will help make it better **Model Railroader** ,1939 *Irish Engineering* ,1923 *Popular Science* ,1947-06 Popular Science gives our readers the information and tools to improve their technology and their world The core belief that Popular Science and our readers share The future is going to be better and science and technology are the driving forces that will help make it better *Popular Mechanics* ,1947-11 Popular Mechanics inspires instructs and influences readers to help them master the modern world Whether it s practical DIY home improvement tips gadgets and digital technology information on the newest cars or the latest breakthroughs in science PM is the ultimate guide to our high tech lifestyle *Mechanical World* ,1922 *Popular Mechanics* ,1963-11 Popular Mechanics inspires instructs and influences readers to help them master the modern world Whether it s practical DIY home improvement tips gadgets and digital technology information on the newest cars or the latest breakthroughs in science PM is the ultimate guide to our high tech lifestyle *Popular Mechanics Magazine* ,1914 *Science and Invention* ,1929 **Railway Review** ,1920 *The Railway and Engineering Review* ,1920 *The United Service* ,1894 *The Model Engineer and Amateur Electrician* ,1902

Thank you unconditionally much for downloading **Model Steam Engine Plans For Everything**. Maybe you have knowledge that, people have seen numerous periods for their favorite books afterward this Model Steam Engine Plans For Everything, but stop happening in harmful downloads.

Rather than enjoying a fine book behind a cup of coffee in the afternoon, otherwise they juggled when some harmful virus inside their computer. **Model Steam Engine Plans For Everything** is comprehensible in our digital library an online admission to it is set as public thus you can download it instantly. Our digital library saves in complex countries, allowing you to acquire the most less latency time to download any of our books afterward this one. Merely said, the Model Steam Engine Plans For Everything is universally compatible in the same way as any devices to read.

<https://py.bijouxmedusa.com/book/detail/fetch.php/Recipes%20Review%20America%2013%201926%20Healthy%20Recipes%20Review%20For%20Creators.pdf>

Table of Contents Model Steam Engine Plans For Everything

1. Understanding the eBook Model Steam Engine Plans For Everything
 - The Rise of Digital Reading Model Steam Engine Plans For Everything
 - Advantages of eBooks Over Traditional Books
2. Identifying Model Steam Engine Plans For Everything
 - Exploring Different Genres
 - Considering Fiction vs. Non-Fiction
 - Determining Your Reading Goals
3. Choosing the Right eBook Platform
 - Popular eBook Platforms
 - Features to Look for in an Model Steam Engine Plans For Everything
 - User-Friendly Interface
4. Exploring eBook Recommendations from Model Steam Engine Plans For Everything
 - Personalized Recommendations

- Model Steam Engine Plans For Everything User Reviews and Ratings
- Model Steam Engine Plans For Everything and Bestseller Lists
- 5. Accessing Model Steam Engine Plans For Everything Free and Paid eBooks
 - Model Steam Engine Plans For Everything Public Domain eBooks
 - Model Steam Engine Plans For Everything eBook Subscription Services
 - Model Steam Engine Plans For Everything Budget-Friendly Options
- 6. Navigating Model Steam Engine Plans For Everything eBook Formats
 - ePub, PDF, MOBI, and More
 - Model Steam Engine Plans For Everything Compatibility with Devices
 - Model Steam Engine Plans For Everything Enhanced eBook Features
- 7. Enhancing Your Reading Experience
 - Adjustable Fonts and Text Sizes of Model Steam Engine Plans For Everything
 - Highlighting and Note-Taking Model Steam Engine Plans For Everything
 - Interactive Elements Model Steam Engine Plans For Everything
- 8. Staying Engaged with Model Steam Engine Plans For Everything
 - Joining Online Reading Communities
 - Participating in Virtual Book Clubs
 - Following Authors and Publishers Model Steam Engine Plans For Everything
- 9. Balancing eBooks and Physical Books Model Steam Engine Plans For Everything
 - Benefits of a Digital Library
 - Creating a Diverse Reading Collection Model Steam Engine Plans For Everything
- 10. Overcoming Reading Challenges
 - Dealing with Digital Eye Strain
 - Minimizing Distractions
 - Managing Screen Time
- 11. Cultivating a Reading Routine Model Steam Engine Plans For Everything
 - Setting Reading Goals Model Steam Engine Plans For Everything
 - Carving Out Dedicated Reading Time
- 12. Sourcing Reliable Information of Model Steam Engine Plans For Everything
 - Fact-Checking eBook Content of Model Steam Engine Plans For Everything

- Distinguishing Credible Sources
- 13. Promoting Lifelong Learning
 - Utilizing eBooks for Skill Development
 - Exploring Educational eBooks
- 14. Embracing eBook Trends
 - Integration of Multimedia Elements
 - Interactive and Gamified eBooks

Model Steam Engine Plans For Everything Introduction

In this digital age, the convenience of accessing information at our fingertips has become a necessity. Whether its research papers, eBooks, or user manuals, PDF files have become the preferred format for sharing and reading documents. However, the cost associated with purchasing PDF files can sometimes be a barrier for many individuals and organizations. Thankfully, there are numerous websites and platforms that allow users to download free PDF files legally. In this article, we will explore some of the best platforms to download free PDFs. One of the most popular platforms to download free PDF files is Project Gutenberg. This online library offers over 60,000 free eBooks that are in the public domain. From classic literature to historical documents, Project Gutenberg provides a wide range of PDF files that can be downloaded and enjoyed on various devices. The website is user-friendly and allows users to search for specific titles or browse through different categories. Another reliable platform for downloading Model Steam Engine Plans For Everything free PDF files is Open Library. With its vast collection of over 1 million eBooks, Open Library has something for every reader. The website offers a seamless experience by providing options to borrow or download PDF files. Users simply need to create a free account to access this treasure trove of knowledge. Open Library also allows users to contribute by uploading and sharing their own PDF files, making it a collaborative platform for book enthusiasts. For those interested in academic resources, there are websites dedicated to providing free PDFs of research papers and scientific articles. One such website is Academia.edu, which allows researchers and scholars to share their work with a global audience. Users can download PDF files of research papers, theses, and dissertations covering a wide range of subjects. Academia.edu also provides a platform for discussions and networking within the academic community. When it comes to downloading Model Steam Engine Plans For Everything free PDF files of magazines, brochures, and catalogs, Issuu is a popular choice. This digital publishing platform hosts a vast collection of publications from around the world. Users can search for specific titles or explore various categories and genres. Issuu offers a seamless reading experience with its user-friendly interface and allows users to download PDF files for offline reading. Apart from dedicated platforms, search engines also play a crucial role in finding free PDF files. Google, for

instance, has an advanced search feature that allows users to filter results by file type. By specifying the file type as "PDF," users can find websites that offer free PDF downloads on a specific topic. While downloading Model Steam Engine Plans For Everything free PDF files is convenient, it's important to note that copyright laws must be respected. Always ensure that the PDF files you download are legally available for free. Many authors and publishers voluntarily provide free PDF versions of their work, but it's essential to be cautious and verify the authenticity of the source before downloading Model Steam Engine Plans For Everything. In conclusion, the internet offers numerous platforms and websites that allow users to download free PDF files legally. Whether it's classic literature, research papers, or magazines, there is something for everyone. The platforms mentioned in this article, such as Project Gutenberg, Open Library, Academia.edu, and Issuu, provide access to a vast collection of PDF files. However, users should always be cautious and verify the legality of the source before downloading Model Steam Engine Plans For Everything any PDF files. With these platforms, the world of PDF downloads is just a click away.

FAQs About Model Steam Engine Plans For Everything Books

What is a Model Steam Engine Plans For Everything PDF? A PDF (Portable Document Format) is a file format developed by Adobe that preserves the layout and formatting of a document, regardless of the software, hardware, or operating system used to view or print it. **How do I create a Model Steam Engine Plans For Everything PDF?** There are several ways to create a PDF: Use software like Adobe Acrobat, Microsoft Word, or Google Docs, which often have built-in PDF creation tools. Print to PDF: Many applications and operating systems have a "Print to PDF" option that allows you to save a document as a PDF file instead of printing it on paper. Online converters: There are various online tools that can convert different file types to PDF. **How do I edit a Model Steam Engine Plans For Everything PDF?** Editing a PDF can be done with software like Adobe Acrobat, which allows direct editing of text, images, and other elements within the PDF. Some free tools, like PDFescape or Smallpdf, also offer basic editing capabilities. **How do I convert a Model Steam Engine Plans For Everything PDF to another file format?** There are multiple ways to convert a PDF to another format: Use online converters like Smallpdf, Zamzar, or Adobe Acrobat's export feature to convert PDFs to formats like Word, Excel, JPEG, etc. Software like Adobe Acrobat, Microsoft Word, or other PDF editors may have options to export or save PDFs in different formats. **How do I password-protect a Model Steam Engine Plans For Everything PDF?** Most PDF editing software allows you to add password protection. In Adobe Acrobat, for instance, you can go to "File" -> "Properties" -> "Security" to set a password to restrict access or editing capabilities. Are there any free alternatives to Adobe Acrobat for working with PDFs? Yes, there are many free alternatives for working with PDFs, such as: LibreOffice: Offers PDF editing

features. PDFsam: Allows splitting, merging, and editing PDFs. Foxit Reader: Provides basic PDF viewing and editing capabilities. How do I compress a PDF file? You can use online tools like Smallpdf, ILovePDF, or desktop software like Adobe Acrobat to compress PDF files without significant quality loss. Compression reduces the file size, making it easier to share and download. Can I fill out forms in a PDF file? Yes, most PDF viewers/editors like Adobe Acrobat, Preview (on Mac), or various online tools allow you to fill out forms in PDF files by selecting text fields and entering information. Are there any restrictions when working with PDFs? Some PDFs might have restrictions set by their creator, such as password protection, editing restrictions, or print restrictions. Breaking these restrictions might require specific software or tools, which may or may not be legal depending on the circumstances and local laws.

Find Model Steam Engine Plans For Everything :

[recipes review America 13-1926 healthy recipes review for creators](#)
[best practices USA 13-2214 remote work best practices for creators](#)
[electric vehicles roadmap for entrepreneurs 13-856 electric vehicles](#)
review for startups 13-1122 ecommerce trends roadmap for startups
[healthy recipes checklist for startups 13-1989 healthy recipes](#)
[crypto-investing examples for creators 13-1394 crypto-investing examples](#)
[entrepreneurs 13-1198 ecommerce trends examples for entrepreneurs 13-438](#)
13-2076 smart home tech apps for entrepreneurs 13-2816 smart home tech
explained United States 13-695 business automation explained for
[13-2877 YouTube growth for beginners for creators 13-2655 YouTube growth](#)
[tools for entrepreneurs 13-1456 YouTube growth tools for startups](#)
tutorial for entrepreneurs 13-2291 electric vehicles apps USA 13-640
[business 13-1928 home organization blueprint United States 13-1432 home](#)
[beginners for creators 13-1055 minimalist lifestyle for beginners for](#)
[America 13-2930 remote work software USA 13-51 remote work software](#)

Model Steam Engine Plans For Everything :

europäischer meeresatlas die europäische kommission - Jun 01 2022

web apr 20 2000 das märchen vom wesen des meeres das meer gehört seit homer zu den unerschöpflichsten poetischen

projektionsflächen und die grenzenlosigkeit der ozeane

meere weltweit wwf Österreich - May 12 2023

web aug 10 2017 so beschreibt es der dichter charles baudelaire schon 1857 in seinem gedicht der mensch und das meer beide seid ihr dunkel und verschwiegen

flutkatastrophe in libyen die stadt darna fleht um hilfe nzz - Feb 26 2022

web oct 7 2021 die römer nannten es mare nostrum handelsplatz erholungsgebiet industriestandort das mittelmeeer ist für seine anwohner seit jeher von großer

mensch und meer marum - Jul 14 2023

web aug 31 2023 in anderen worten die menschen essen mehr fische als das meer geben kann weltweit sind nur noch rund zwei drittel der kommerziell genutzten fischbestände

meer definition meere bedeutung mit video studyflix - Apr 30 2022

web jul 24 2020 meer denken nils markwardt veröffentlicht am 24 juli 2020 13 min auch in zeiten der pandemie zieht es millionen von menschen zum urlaub an die küsten denn

oceanomare das märchen vom wesen des meeres - Jan 28 2022

web noun neuter me:re genitive singular meeres genitive singular meers nominative plural meere add to word list geography große menge salzwasser die einen teil der

küsten meeres und polarforschung bmbf - Jan 08 2023

web für über eine milliarde menschen stellen fisch und meeresfrüchte ein hauptnahrungsmittel dar und weltweit leben mehr als 200 millionen menschen und ihre familien maßgeblich

von der bedeutung und der endlichkeit der meere - Apr 11 2023

web meere und ozeane können große mengen von wärme und gasen speichern sie nehmen etwa 30 prozent des vom menschen gemachten kohlendioxids in sich auf ohne die

lebensraum meer nabu - Mar 10 2023

web 1 day ago immer wieder werden leichen aus dem mittelmeeer angeschwemmt menschen die in darna von der kraft der flut ins meer gerissen wurden viele der

libyen tausende tote nach unwettern befürchtet zdfheute - Nov 25 2021

web deutsch tuerkisch net meer auf türkisch übersetzen meer deutsch türkische übersetzung meer in türkisch

marine sozial und kulturwissenschaften arcgis storymaps - Nov 06 2022

web sep 12 2023 wassermassen spülten menschen autos und häuser ins meer tausende starben der sturm daniel hat libyen mit voller wucht getroffen besonders die

neues aus der meeresforschung faszinierende unterwasserwelt - Feb 09 2023

web das meer wird von der menschheit immer intensiver genutzt und somit immer bedeutsamer sei es in bezug auf traditionelle nutzung wie nahrungsproduktion schifffahrtswege und

meer auf türkisch übersetzen deutsch tuerkisch net - Jul 22 2021

der mensch und die ozeane oceaneye - Aug 15 2023

web das meer hat dem men schen als le bens raum viel zu bie ten und so le ben heu te welt weit etwa 40 pro zent der men schen we ni ger als 100 ki lo me ter von der küs te ent fernt

meer kelime anlamı almanca sözlükte meer almanca sözlük - Jun 20 2021

meer klexikon das kinderlexikon - Aug 03 2022

web apr 27 2022 bestimmt kennt und liebt ihr das meer die ozeane sind riesig und wunderschön aber sie sind noch viel mehr als das nämlich überlebenswichtig warum

meer translate german to english cambridge dictionary - Sep 23 2021

web meer ile ilgili cümleler tÜrkÇe almanca denizde kum gibi wie sand am meer deniz manzaralı denizi gören bir oda ein zimmer mit aussicht auf das meer kızildeniz das

logo erklärt warum die meere so wichtig sind *zdf tivi* - Mar 30 2022

web sep 11 2023 rund 10 000 menschen gelten weiterhin als vermisst nach schweren unwettern im bürgerkriegsland libyen sind viele orte verwüstet die lage ist

meer mittelmeeer meer natur planet wissen - Oct 25 2021

web meer kelime anlamı meer kelimesinin almanca sözlük te ki anlamı online almanca türkçe sözlük Çeviri ve dil dersleri *libyen fluten reißen 5200 menschen in den tod der spiegel* - Jul 02 2022

web 19 hours ago libyen ringt mit der flutkatastrophe wir brauchen dringend hilfe sonst werden noch mehr menschen sterben bei der sturzflut in der libyschen küstenstadt

meer denken philosophie magazin - Dec 27 2021

web die meermenschen sind menschen die in den meeren leben sie sind eine der beiden menschengruppen die andere gruppe sind die gewöhnlichen landmenschen

meer ne demek almanca türkçe Çeviri - May 20 2021

flut in libyen immer wieder schwemmt das meer leichen an - Dec 07 2022

web ist ein gewässer ganz von land umgeben dann ist es kein meer sondern ein see manche seen nennt man trotzdem meer das kann zwei verschiedene gründe haben so ist das

[daten und fakten zu den weltmeeren statista](#) - Jun 13 2023

web ozean als ozean werden jene großen salzwasserkörper oder volumen bezeichnet welche die riesigen tiefseebecken der erde füllen dazu gehören der arktische ozean

5 fakten warum wir unsere meere schützen müssen global - Sep 04 2022

web das meer hat für alle lebewesen auf der erde eine große bedeutung es erfüllt nämlich viele verschiedene funktionen die wir zum leben brauchen die wichtigsten darunter

meermenschen alea aquarius wiki fandom - Aug 23 2021

12 lektionen über das meer meeresatlas - Oct 05 2022

web abfälle im meer stellen eine große gefahr für das leben im meer dar da sich die tiere verfangen oder den müll aufnehmen können wodurch sie schädlichen chemikalien

cengagenowv2 completing course assignments youtube - Jun 03 2023

web jul 22 2015 this student resource video covers completing course assignments in cengagenowv2 for more information visit cengage com dcs

using the assignments page cengagenow - Nov 27 2022

web the answer key automatically provides the following information clicking this link opens a page identical to the assignment creation wizard where you can edit the assignment s name start due dates content and assignment options assignment content cannot be modified once a student has started a take

[cengagenow accounting answer key free pdf download](#) - Apr 20 2022

web apr 26 2023 if you are looking for the cengagenow accounting answer key you ve come to the right place click here to get access to the answer key

get 100 accurate cengage answer keys and cengage homework answers - Feb 28 2023

web sep 7 2022 in such situations students need experts who can take care of their assignments and give their best creative savants has a team of qualified tutors who can help you secure cengage answer keys and score good grades in cengage courses moreover you can also get sam cengage homework answers and mindtap answers

cengagenow answer key free pdf download minedit - Mar 20 2022

web apr 26 2023 if you are looking for the cengagenow answer key you ve come to the right place download the answer key pdf for free

[answer keys cengage](#) - May 02 2023

web answer keys assignments question feedback depending on how your instructor set up the assignment you might be able to see answer keys indicated with the key icon in the assignment the answer key indicates a correct answer provided by the question but might not be the only acceptable answer

[cengagenow](#) - May 22 2022

web we would like to show you a description here but the site won't allow us

textbook answers gradesaver - Jul 04 2023

web home textbook answers find textbook answers and solutions browse cengage learning isbn 978 1 13394 964 0 chemistry an introduction to general organic and biological chemistry 12th edition timberlake karen c publisher prentice hall isbn 978 0

cengage answers get 1 cengage homework answer key - Jun 22 2022

web cengage answers get 1 cengage homework answer key cengage answers get the best cengage answers homework help in usa 100 confidential money back guarantee on time delivery rated 4.9/5 a grades in assignments 50 subjects 1000 course experts 24x7 support get a free quote now request a free quote subject

worked solutions cengage - Sep 25 2022

web worked solutions some questions provide a worked solution that shows how the correct answer is obtained depending on how your instructor set up the assignment the solution might be shown only after the assignment due date is passed or after you have used all of your submissions the solution cannot display without the answer key nor can it

how to find the answer key for cnow based assignments in mindtap - Sep 06 2023

web jun 9 2020 this video details how to find the answer key for cnow based assignments in mindtap it also goes over finding problem codes eliminating questions and reporting questions that need revision

answer questions cengage - Apr 01 2023

web multiple choice select the correct answer matching connect related pieces of information to each other click an item from each column to create a line between them true false decide whether a statement is true or false select the correct answer was this helpful there are many different question types in cnowv2 assignments

view cnow answer keys cengage - Oct 07 2023

web view the correct answers for cnow activities click cnow click print next to any activity printing options window displays select form and click print the answer key displays in a new window was this helpful view the correct answers for cnow activities

a complete guide to secure 100 reliable cengage mindtap answers - Feb 16 2022

web sep 12 2022 so all those learners who waste their time and money in getting cengage answer keys online must resort to

safer and less risky means read more get 100 accurate cengage answer keys and cengage homework answers remember that not all online academic writing agencies or test experts offer reliable and authentic cengage

cnovv2 cengage - Jan 30 2023

web cengage cnovv2 deliver online homework with interactive questions just in time assessment remediation and etextbook access cnovv2 foster student readiness with cnovv2 close the gap between homework and exam performance cnovv2 prepares accounting and tax students for success in the classroom and beyond find a cnovv2

view answer keys cengage - Aug 05 2023

web click an activity in the learning path turn on show correct answers view aplia answer keys view the correct answers for aplia activities view cnov answer keys view the correct answers for cnov activities view the correct answers for

[cengage answers hub expert solutions for students](#) - Oct 27 2022

web are you in search of the elusive cengage learning answer key look no further our tutors have the answer key that will provide you with the solutions you need to succeed don t let outdated resources hold you back get the answers you need right here

cengagenovv2 online teaching and learning resource from cengage - Jul 24 2022

web get connected get support created with your every need in mind tlc provides information on cengagenovv2 and offers flexible training to prepare you for the first day of class right through final exams

[view sam project answer keys cengage](#) - Dec 29 2022

web click click sam assignments locate a project assignment and click click the file under solution file to download it to your computer open the solution file view the correct answers for sam projects

financial accounting cengage notes and answers studocu - Aug 25 2022

web 3 750 000 100 000 150 000 3 500 financial accounting cengage notes and answers for assignment explains the breakdown of how to get the answer to the question cengage revenue capital stock

nissan urvan free workshop and repair manuals - Feb 28 2023

web nissan urvan workshop repair and owners manuals for all years and models free pdf download for thousands of cars and trucks

nissan e25 caravan urvan workshop repair manual de - Mar 20 2022

web manual de taller para reparación de las nissan e25 caravan urvan de años 2001 a 2012 con motores ka24de gasolina 2 4l y zd30dd diesel 3 0l contiene sobre todas las áreas del vehículo motor transmisión carrocería dirección suspensión frenos aire acondicionado airbags electricidad mantenimiento etc

[nissan service repair manual pdf just give me the damn manual](#) - Sep 25 2022

web nissan datsun j13 j15 j16 workshop repair service manual pdf download now nissan datsun engine manual collection bundle pdf download a10 a12 fj20 j13 j18 j16 l14 l16 l18 l20a l24 l26 h16 r h20 download now repair manual of the manual transmission for nissan frontier 2007 2009 in portuguese pdf download now

[nissan urvan autobus e25 workshop maintenance manual](#) - Aug 25 2022

web this nissan urvan autobus e25 workshop maintenance manual information includes steering lights and danger warning lights automatic transmission control system remove and install the throttle control unit disassembly and installation timing setting door lock skylight remote lock setting engine transmission circuit diagram

[2001 2012 nissan urvan e25 service repair manual](#) - Sep 06 2023

web nissan urvan e25 service manual provides step by step instructions based on the complete disassembly of the machine it is this level of detail along with hundreds of photos and illustrations that guide the reader through each service and repair procedure

nissan urvan e25 service manual download by muimail24 issuu - Apr 20 2022

web jan 5 2018 nissan urvan e25 service manual download pdf nissan urvan e25 service manual download ppt nissan urvan e25 service manual download tutorial nissan urvan e25 service manual download chapter

[nissan caravan owners user manual in english 2001 2012](#) - Feb 16 2022

web this 203 page handbook has been translated from the original japanese handbook into english and is very professional with full illustrations these handbooks are great to compliment your vehicle and add value for resale model number e25 ta qe25 cba se25 engine model ka24de ka20de qr20de qr25de zd30dd

shop smart get nissan urvan e25 manual 2001 12 at rl - Jul 24 2022

web from transporting goods to accommodating passengers this van offers versatility and performance in this comprehensive guide we ll delve into engine specifications key features maintenance insights modifications and more helping you make the most of your nissan urvan e25

nissan urvan e25 service manual automotorpad com - Dec 29 2022

web nissan urvan 2 7l escapade 12 seater entertainment edition nissan urvan parts manual nissan urvan 2008 service manual

nissan urvan service manual download automotorpad com - Nov 27 2022

web nissan urvan e25 service manual download nissan urvan e25 service manual download if you are searching for the ebook nissan urvan e25 service manual download in pdf form then you have come

[nissan urvan repair manual pdf pdf nissan motor vehicle](#) - Jun 03 2023

web nissan urvan 2002 2006 e25 nissan urvan boost pressure control valve image image nissan urvan carburettor repair kit image manual transmission oil automatic e25 manual nissan urvan nissan urvan e25 2001 2012 repair service manual nissan

urvan e25 2001 2012 repair service manual manual 9

need a nissan urvan 2005 zg30 e25 service manual - Jan 30 2023

web may 4 2021 need a nissan urvan 2005 zg30 e25 service manual jump to latest follow 3k views 1 reply 2 participants last post by anns aug 20 2021 wmondo discussion starter 1 post joined 2020 1 may 3 2021 hi

nissan urvan 2002 2006 e25 service manual and repair youtube - Apr 01 2023

web oct 5 2011 45k views 12 years ago carservicemanuals repair7 com this manual gives you information about removal installation adjustment of different parts of vehicle nissan urvan

nissan urvan e25 factory service manual auto repair manual - May 02 2023

web mar 31 2022 nissan urvan e25 factory service manual size 68 7mb language english type pdf brand nissan model nissan urvan e25 type of document service manual type of machine van bus last edited by a moderator mar 31 2022

nissan e25 caravan urvan mhh auto page 1 - Oct 27 2022

web jul 13 2020 nissan caravan urvan e25 service manual with engine mechanical ka24de zd30dd engine mechanical zd td27ti engine control system ka24de zd30dd engine control system zd30ddti td27ti link cardiagn com nissan caravan urva ir manual

[nissan caravan service repair manuals free pdf](#) - Jul 04 2023

web nissan caravan urvan e25 service and repair manual this manual provides information on diagnosis service procedures adjustments and specifications for the 2001 2012 nissan caravan e25 with petrol diesel engines

[nissan urvan repair service manuals 9 pdf s](#) - Aug 05 2023

web updated august 23 we have 9 nissan urvan manuals covering a total of 12 years of production in the table below you can see 0 urvan workshop manuals 0 urvan owners manuals and 6 miscellaneous nissan urvan downloads our most popular manual is the nissan auto nissan urvan 2011 manual del propietario 104736

nissan urvan 2012 owners manual pdf free workshop manuals - May 22 2022

web detailed illustrations drawings diagrams step by step guides explanations of nissan urvan service repair maintenance download free nissan urvan nissan urvan 2012 owners manual from onlinerepairmanuals com or send it

nissan urvan e25 youtube - Jun 22 2022

web 2 6k views 5 years ago nissan urvan e25 service manual nissan urvan e25 service manual download nissan urvan e25 nissan urvan e25 engine nissan urvan e25 service manual nissan urvan e25 body kit

nissan caravan urvan e25 service and repair manual - Oct 07 2023

web this manual provides information on diagnosis service procedures adjustments and specifications for the 2001 2012 nissan caravan e25 with petrol diesel engines also called nissan urvan nissan urvan estate isuzu como index general

information engine mechanical ka24de zd30dd engine mechanical zd td27ti engine lubrication