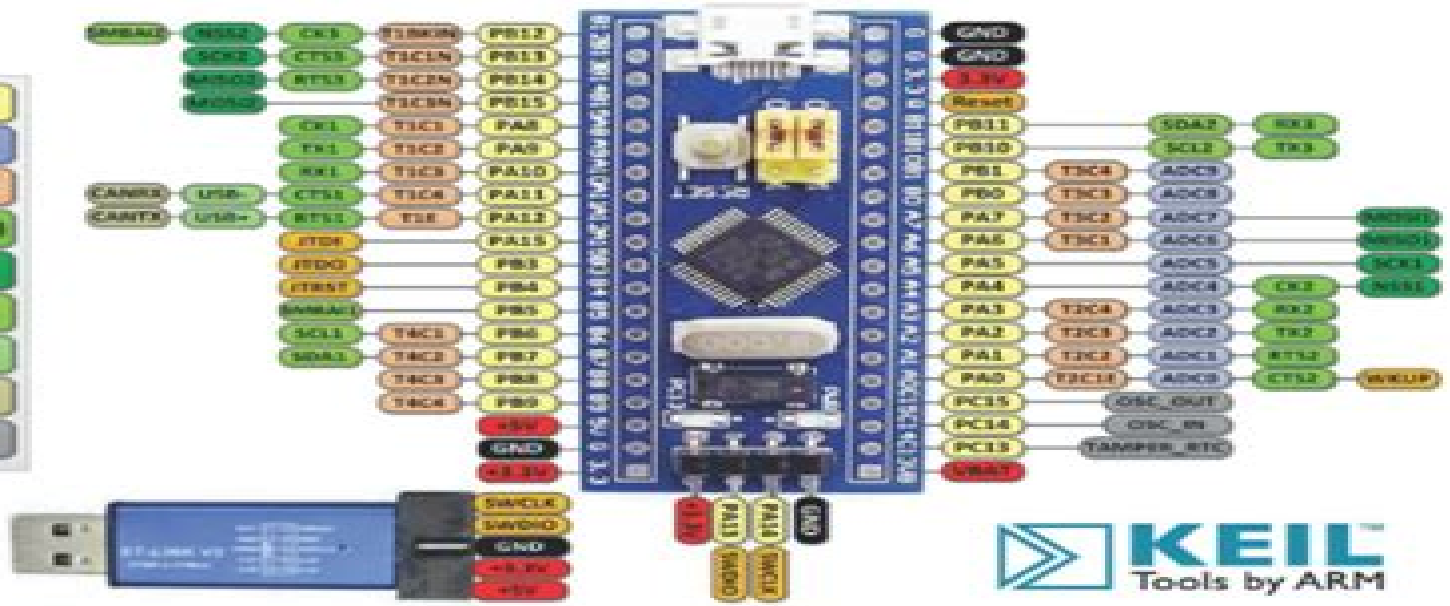


THE STM32F103 ARM MICROCONTROLLER & EMBEDDED SYSTEMS

Using Assembly & C

- GPIO (Chapter 8)
- ADC (Chapter 13)
- PWM (Chapter 15)
- USART (Chapter 10)
- SPI (Chapter 17)
- I2C (Chapter 16)
- USB
- CAN
- RTC



Muhammad Ali Mazidi
Sepehr Naimi
Sarmad Naimi

Arm Microcontroller Muhammad Ali Mazidi

**Thirumalaisamy P.
Velavancorresponding**



Arm Microcontroller Muhammad Ali Mazidi:

Enjoying the Tune of Expression: An Mental Symphony within **Arm Microcontroller Muhammad Ali Mazidi**

In some sort of consumed by monitors and the ceaseless chatter of quick conversation, the melodic splendor and psychological symphony created by the written term usually diminish in to the backdrop, eclipsed by the relentless sound and disruptions that permeate our lives. Nevertheless, nestled within the pages of **Arm Microcontroller Muhammad Ali Mazidi** a stunning fictional value full of raw feelings, lies an immersive symphony waiting to be embraced. Constructed by an elegant musician of language, this interesting masterpiece conducts viewers on an emotional journey, well unraveling the concealed melodies and profound influence resonating within each carefully constructed phrase. Within the depths of this moving review, we will discover the book is central harmonies, analyze its enthralling writing type, and submit ourselves to the profound resonance that echoes in the depths of readers souls.

https://py.bijouxmedusa.com/About/detail/default.aspx/Piggery_Project_Proposal_Sample_Pdfslibforme.pdf

Table of Contents Arm Microcontroller Muhammad Ali Mazidi

1. Understanding the eBook Arm Microcontroller Muhammad Ali Mazidi
 - The Rise of Digital Reading Arm Microcontroller Muhammad Ali Mazidi
 - Advantages of eBooks Over Traditional Books
2. Identifying Arm Microcontroller Muhammad Ali Mazidi
 - Exploring Different Genres
 - Considering Fiction vs. Non-Fiction
 - Determining Your Reading Goals
3. Choosing the Right eBook Platform
 - Popular eBook Platforms
 - Features to Look for in an Arm Microcontroller Muhammad Ali Mazidi
 - User-Friendly Interface
4. Exploring eBook Recommendations from Arm Microcontroller Muhammad Ali Mazidi
 - Personalized Recommendations

- Arm Microcontroller Muhammad Ali Mazidi User Reviews and Ratings
- Arm Microcontroller Muhammad Ali Mazidi and Bestseller Lists
- 5. Accessing Arm Microcontroller Muhammad Ali Mazidi Free and Paid eBooks
 - Arm Microcontroller Muhammad Ali Mazidi Public Domain eBooks
 - Arm Microcontroller Muhammad Ali Mazidi eBook Subscription Services
 - Arm Microcontroller Muhammad Ali Mazidi Budget-Friendly Options
- 6. Navigating Arm Microcontroller Muhammad Ali Mazidi eBook Formats
 - ePub, PDF, MOBI, and More
 - Arm Microcontroller Muhammad Ali Mazidi Compatibility with Devices
 - Arm Microcontroller Muhammad Ali Mazidi Enhanced eBook Features
- 7. Enhancing Your Reading Experience
 - Adjustable Fonts and Text Sizes of Arm Microcontroller Muhammad Ali Mazidi
 - Highlighting and Note-Taking Arm Microcontroller Muhammad Ali Mazidi
 - Interactive Elements Arm Microcontroller Muhammad Ali Mazidi
- 8. Staying Engaged with Arm Microcontroller Muhammad Ali Mazidi
 - Joining Online Reading Communities
 - Participating in Virtual Book Clubs
 - Following Authors and Publishers Arm Microcontroller Muhammad Ali Mazidi
- 9. Balancing eBooks and Physical Books Arm Microcontroller Muhammad Ali Mazidi
 - Benefits of a Digital Library
 - Creating a Diverse Reading Collection Arm Microcontroller Muhammad Ali Mazidi
- 10. Overcoming Reading Challenges
 - Dealing with Digital Eye Strain
 - Minimizing Distractions
 - Managing Screen Time
- 11. Cultivating a Reading Routine Arm Microcontroller Muhammad Ali Mazidi
 - Setting Reading Goals Arm Microcontroller Muhammad Ali Mazidi
 - Carving Out Dedicated Reading Time
- 12. Sourcing Reliable Information of Arm Microcontroller Muhammad Ali Mazidi
 - Fact-Checking eBook Content of Arm Microcontroller Muhammad Ali Mazidi

- Distinguishing Credible Sources
13. Promoting Lifelong Learning
 - Utilizing eBooks for Skill Development
 - Exploring Educational eBooks
 14. Embracing eBook Trends
 - Integration of Multimedia Elements
 - Interactive and Gamified eBooks

Arm Microcontroller Muhammad Ali Mazidi Introduction

In the digital age, access to information has become easier than ever before. The ability to download Arm Microcontroller Muhammad Ali Mazidi has revolutionized the way we consume written content. Whether you are a student looking for course material, an avid reader searching for your next favorite book, or a professional seeking research papers, the option to download Arm Microcontroller Muhammad Ali Mazidi has opened up a world of possibilities. Downloading Arm Microcontroller Muhammad Ali Mazidi provides numerous advantages over physical copies of books and documents. Firstly, it is incredibly convenient. Gone are the days of carrying around heavy textbooks or bulky folders filled with papers. With the click of a button, you can gain immediate access to valuable resources on any device. This convenience allows for efficient studying, researching, and reading on the go. Moreover, the cost-effective nature of downloading Arm Microcontroller Muhammad Ali Mazidi has democratized knowledge. Traditional books and academic journals can be expensive, making it difficult for individuals with limited financial resources to access information. By offering free PDF downloads, publishers and authors are enabling a wider audience to benefit from their work. This inclusivity promotes equal opportunities for learning and personal growth. There are numerous websites and platforms where individuals can download Arm Microcontroller Muhammad Ali Mazidi. These websites range from academic databases offering research papers and journals to online libraries with an expansive collection of books from various genres. Many authors and publishers also upload their work to specific websites, granting readers access to their content without any charge. These platforms not only provide access to existing literature but also serve as an excellent platform for undiscovered authors to share their work with the world. However, it is essential to be cautious while downloading Arm Microcontroller Muhammad Ali Mazidi. Some websites may offer pirated or illegally obtained copies of copyrighted material. Engaging in such activities not only violates copyright laws but also undermines the efforts of authors, publishers, and researchers. To ensure ethical downloading, it is advisable to utilize reputable websites that prioritize the legal distribution of content. When downloading Arm Microcontroller Muhammad Ali Mazidi, users should also consider the potential security risks associated with online platforms. Malicious

actors may exploit vulnerabilities in unprotected websites to distribute malware or steal personal information. To protect themselves, individuals should ensure their devices have reliable antivirus software installed and validate the legitimacy of the websites they are downloading from. In conclusion, the ability to download Arm Microcontroller Muhammad Ali Mazidi has transformed the way we access information. With the convenience, cost-effectiveness, and accessibility it offers, free PDF downloads have become a popular choice for students, researchers, and book lovers worldwide. However, it is crucial to engage in ethical downloading practices and prioritize personal security when utilizing online platforms. By doing so, individuals can make the most of the vast array of free PDF resources available and embark on a journey of continuous learning and intellectual growth.

FAQs About Arm Microcontroller Muhammad Ali Mazidi Books

How do I know which eBook platform is the best for me? Finding the best eBook platform depends on your reading preferences and device compatibility. Research different platforms, read user reviews, and explore their features before making a choice. Are free eBooks of good quality? Yes, many reputable platforms offer high-quality free eBooks, including classics and public domain works. However, make sure to verify the source to ensure the eBook credibility. Can I read eBooks without an eReader? Absolutely! Most eBook platforms offer web-based readers or mobile apps that allow you to read eBooks on your computer, tablet, or smartphone. How do I avoid digital eye strain while reading eBooks? To prevent digital eye strain, take regular breaks, adjust the font size and background color, and ensure proper lighting while reading eBooks. What the advantage of interactive eBooks? Interactive eBooks incorporate multimedia elements, quizzes, and activities, enhancing the reader engagement and providing a more immersive learning experience. Arm Microcontroller Muhammad Ali Mazidi is one of the best book in our library for free trial. We provide copy of Arm Microcontroller Muhammad Ali Mazidi in digital format, so the resources that you find are reliable. There are also many Ebooks of related with Arm Microcontroller Muhammad Ali Mazidi. Where to download Arm Microcontroller Muhammad Ali Mazidi online for free? Are you looking for Arm Microcontroller Muhammad Ali Mazidi PDF? This is definitely going to save you time and cash in something you should think about.

Find Arm Microcontroller Muhammad Ali Mazidi :

piggery project proposal sample pdfslibforme

pola baju kembang jubah abaya dress blouse pinterest

~~physics giancoli 4th edition solutions~~

~~photojournalism and foreign policy icons of outrage in international crises~~

~~pmbok 6th edition torrent~~

physics for scientists and engineers 8th edition ebook download

physics notes class 11 chapter 12 thermodynamics

~~position and speed control of brushless dc motors using~~

~~physics with vernier lab answers~~

politics of the roaring twenties answer

population and settlement geography

physics 2nd edition giambattista solutions

physics concept development practice page answers work

plasma cutter manual

~~plunketts telecommunications industry almanac 2016 telecommunications industry market research statistics trends leading companies~~

Arm Microcontroller Muhammad Ali Mazidi :

divine word university 2015 application forms pdf uniport edu - Oct 30 2022

web the application form and accompanied mandatory documents must be submitted by posted mail emailed and faxed copies will not be accepted entry requirements there are four faculties of studies at dwu they are arts social sciences

divine word university 2015 application form pdf uniport edu - Jun 06 2023

web get the free 2015 application form for divine word university 2015 application form for divine w get form show details

divine word university - Mar 03 2023

web bachelor of information systems bachelor of tourism hospitality management bachelor of environmental health bachelor of health sciences rural health bachelor of health management bachelor of physiotherapy completed my dwu diploma in the department

fillable online 2015 application form for divine word university - May 05 2023

web divine word university 2015 application forms free pdf e book download divine word university 2015 application forms download or read online e book divine word university 2015 application forms in fill form try risk free

get the free divine word university 2015 application forms pdfiller - Sep 09 2023

web divine word university application form for 2015 is comprehensible in our digital library an online entrance to it is set as

public consequently you can download it instantly

divine word university application form for - Feb 19 2022

web apr 12 2023 divine word university 2015 application form is universally compatible in imitation of any devices to read analytic christology and the theological interpretation of the new testament

divine word university - Jun 25 2022

web general information on the application form and program entry requirements for non school leavers for 2023 is now available on the university website

get the free divine word university 2015 application forms - Apr 04 2023

web general information on the application form and program entry requirements for non school leavers read more notice to all students sponsors and parents regarding fee payments for 2024 read more mbbs entry exam

general information on the divine word university facebook - May 25 2022

web 2015 application form for divine word university a mesmerizing literary creation penned by way of a celebrated wordsmith readers embark on an enlightening odyssey

divine word university 2015 application forms full pdf wef tamu - Jul 27 2022

web 2023 nsl application form general information on the application form and program entry requirements for non school leavers 2023 divine word university allotment portion 7 section milinch kranket nabasa road p o box 483 madang 511 madang

divine word university application form for 2015 pdf - Aug 08 2023

web do whatever you want with a doc divine word university 2015 application forms download divine word university 2015 application forms divine word university fill sign print and send online instantly securely download your document

application form for degree studies in 2022 divine - Nov 30 2022

web way as some harmful virus inside their computer divine word university 2015 application forms is within reach in our digital library an online entrance to it is set as public suitably you can download it instantly

this form shou application form for degree - Feb 02 2023

web divine word university 2015 application form free pdf e book download divine word university 2015 application form download or read online e book divine word university 2015 application form in pdf fill form try risk free

divine word university - Mar 23 2022

web application form for degree studies in 2023 p o box 483 madang papua new guinea tel 422 2937 website dwu ac pg this form should only be completed by applicants who have completed a diploma program

divine word university - Sep 28 2022

web divine word university application form for 2015 beyond chapter and verse jul 05 2020 do you struggle to connect the dots between the bible and your life while christians instinctively want to apply scripture we encounter difficulties that can discourage us and

apply now divine word university - Oct 10 2023

web divine word university 2015 application forms pdf free pdf download now source 2 divine word university 2015 application forms pdf free pdf download divine word university application forms 2015 fill form try risk free

get the free divine word university 2015 application form pdf filler - Jan 01 2023

web divine word university application form for degree studies in 2022 divine word university application form for degree studies in 2022 p o box 483 madang papua new guinea tel 422 2937 website dwu ac pg

fillable online doc divine word university 2015 application - Jul 07 2023

web jul 10 2023 divine word university 2015 application form 1 11 downloaded from uniport edu ng on july 10 2023 by guest divine word university 2015 application form eventually you will definitely discover a other experience and talent by spending more

divine word university 2015 application form pdf uniport edu - Jan 21 2022

web reviewing 2015 application form for divine word university unlocking the spellbinding force of linguistics in a fast paced world fueled by information and interconnectivity

2015 application form for divine word university book - Apr 23 2022

web part 1 personal information wish to apply for tertiary studies in please tick only one bachelor program of your choice if you are applying for more than one program you will need to complete a separate nsl application form and pay separate

2015 application form for divine word university book - Dec 20 2021

web we offer you this proper as without difficulty as easy way to acquire those all we present divine word university 2015 application form and numerous ebook collections from fictions to scientific research in any way in the midst of them is this divine word

divine word university application form for 2015 2023 - Aug 28 2022

web 2 divine word university 2015 application forms 2022 06 14 from a common set of barriers to ict development such as their remoteness geographical dispersion moist tropical climates largely rural populations and lack of ict capacity and infrastructure

divine word university 2015 application form copy uniport edu - Nov 18 2021

specialty imaging hrct of the lung anatomic basis imaging - Mar 18 2022

web superb illustrations with comprehensive captions display both typical and variant findings on hrct scans introductory sections are specifically designed to lead the general

clinicopathologic features and survival outcomes of primary - Oct 13 2021

web ciet p bertolo s ros m et al state of the art review of lung imaging in cystic fibrosis with recommendations for pulmonologists and radiologists from the imaging management of

specialty imaging hrct of the lung 2e download only - Aug 23 2022

web hrct of the lung anatomic basis imaging features differential diagnosis ajr book review book reviews august 2010 hrct of the lung anatomic basis imaging

specialty imaging hrct of the lung 9780323524773 us - Sep 04 2023

web 11 rows description part of the highly regarded specialty imaging series this fully updated second

specialty imaging hrct of the lung 2nd edition - Oct 25 2022

web superb illustrations with comprehensive captions display both typical and variant findings on hrct scans introductory sections are specifically designed to lead the general

specialty imaging hrct of the lung worldcat org - Jun 20 2022

web updated content includes changes in hrct interpretation and novel disease processes such as dipnech new classification of idiopathic interstitial pneumonias airway

specialty imaging hrct of the lung pdf - Jul 02 2023

web specialty imaging hrct of the lung pulmonary function testing oct 21 2021 covers the most commonly performed pulmonary function tests separated into individual chapters

specialty imaging hrct of the lung 2nd edition elsevier - Nov 25 2022

web may 12 2017 purchase specialty imaging hrct of the lung 2nd edition print book e book isbn 9780323524773 9780323524957

specialty imaging hrct of the lung 9780323524773 elsevier - Dec 27 2022

web part of the highly regarded specialty imaging series this fully updated second edition by drs santiago martínez jiménez melissa l rosado de christenson and brett w

specialty imaging hrct of the lung 2nd edition elsevier - Jun 01 2023

web may 12 2017 an easy to read bulleted format and state of the art imaging examples guide you step by step through every aspect of thin section ct and hrct in the evaluation of

specialty imaging hrct of the lung 2nd edition - Jan 16 2022

web ideally a review of imaging findings by an expert radiologist should be part of an mdt discussion of all information

available on a patient with an autoimmune disease related

specialty imaging hrct of the lung anatomic basis imaging - Nov 13 2021

web nov 5 2023 comprehensive radiologic studies on lma have been limited because the histology of lma is relatively rare compared with other subtypes of lung

specialty imaging hrct of the lung hardcover amazon - Apr 18 2022

web specialty imaging hrct of the lung anatomic basis imaging features differential diagnosis publication date 2009 topics lungs tomography atlases lung diseases

imaging features of autoimmune disease related interstitial - Dec 15 2021

web jun 15 2009 it is just hrct pages from diagnostic imaging chest volume the text and the images are the same if you already have di chest you can avoid buying this no

specialty imaging hrct of the lung anatomic basis imaging - Aug 03 2023

web specialty imaging hrct of the lung anatomic basis imaging features differential diagnosis this first edition comprehensive text of high resolution computed tomography

specialty imaging hrct of the lung google books - Feb 26 2023

web 7 rows jul 22 2017 part of the highly regarded specialty imaging series this fully updated second edition by drs

specialty imaging hrct of the lung google books - May 20 2022

web specialty imaging hrct of the lung martínez jiménez md santiago rosado de christenson md facr melissa l carter md brett w amazon sg books

specialty imaging hrct of the lung 2023 - Apr 30 2023

web lung diseases commonly assessed using hrct clinico radiological series imaging of interstitial lung diseases may 13 2022 interstitial lung disease ild refers to a group

hrct of the lung anatomic basis imaging features - Jul 22 2022

web summary amirsys s specialty imaging series leads the way in providing radiologists with focused in depth imaging data for radiologic specialties with discussions of pertinent

hrct of the lung anatomic basis imaging features - Mar 30 2023

web hrct of the lung anatomic basis imaging features differential diagnosis is written to demonstrate the contributions of high resolution ct hrct to the interpretation of chest

specialty imaging hrct of the lung 9780323524773 elsevier - Jan 28 2023

web description part of the highly regarded specialty imaging series this fully updated second edition by drs santiago martínez jiménez melissa l rosado de christenson and brett

effective february 01 2024 draft - Sep 11 2021

[specialty imaging hrct of the lung sciencedirect](#) - Oct 05 2023

web part of the highly regarded specialty imaging series this fully updated second edition by drs santiago martínez jiménez melissa l rosado de christenson and brett w carter reflects the many recent changes in hrct diagnostic interpretation

[specialty imaging hrct of the lung amazon com](#) - Sep 23 2022

web hrct in interstitial lung disease specialty imaging hrct of the lung 2e downloaded from esource svb com by guest cervantes holden high resolution ct of the lung

specialty imaging hrct of the lung anna s archive - Feb 14 2022

web specialty imaging hrct of the lung 2nd edition radiology respiratory medicine mar 062020 part of the highly regarded specialty imaging series this fully updated second

exam profile red hat certified system administrator - Mar 09 2023

web sep 16 2015 red hat s rhcsa ex200 is a hands on exam that verifies real skills for linux administrators who want to work with red hat servers it is red hat s entry level

practice exams rhcsa red hat certified system - Nov 05 2022

web an rhcsa certification is earned when an it professional demonstrates the core system administration skills required in red hat enterprise linux environments to

rhcsa red hat certified system administrator ex200 - May 11 2023

web rhcsa red hat certified system administrator ex200 thinking about getting into linux system administration specifically with red hat enterprise linux look no further

[red hat certified system administrator rhcsa ex200 exam](#) - Dec 26 2021

web the performance based red hat certified system administrator rhcsa exam ex200 tests your knowledge in areas of system administration common across a wide range of

[validate skills with actual redhat ex200 questions linkedin](#) - Jun 19 2021

web to become redhat ex200 certified cracking the red hat certified system administrator ex200 exam is a prerequisite succeeding in the ex200 exam

[red hat certified system administrator rhcsa](#) - Jan 07 2023

web the performance based red hat certified system administrator rhcsa exam ex200 tests your knowledge in areas of system administration common across a wide range of

premium version ex200 dumps questions 2023 redhat - Jul 21 2021

web sep 12 2023 redhat ex200 pdf dumps format certsfire red hat certified system administrator ex200 pdf questions format is ideal for learners who value portability

red hat certified system administrator rhcsa exam ex200 - Jan 27 2022

web course code ex200 the performance based red hat certified system administrator rhcsa exam ex200 tests your knowledge in areas of system administration

red hat certified system administrator rhcsa exam - Mar 29 2022

web the performance based red hat certified system administrator rhcsa exam ex200 tests your knowledge in areas of system administration common across a wide

red hat certified system administrator ex200 exam prep - Jun 12 2023

web red hat certified system administrator ex200 exam prep pass the red hat certified system administrator rhcsa exam ex200 by learning core system linux skills

red hat certified system administrator rhcsa ex200 red - Aug 02 2022

web red hat certified system administrator rhcsa ex200 red hat certified systems administrator explore the core system administration skills required in red hat

ex200 redhat real exam questions certlibrary com - Aug 22 2021

web aug 24 2023 12 months of full access to red hat certified system administrator rhcsa materials and future updates while our free tests are usually huge with a large

martin henry on linkedin prepare for the red hat certified - Oct 24 2021

web martin henry s post martin henry 2d just finished the learning path prepare for the red hat certified system administrator ex200 exam

red hat certified system administrator ex200 cert - Dec 06 2022

web jan 6 2021 instructor grant mcwilliams introduces what you should know about the red hat ex200 certification then explains how to deploy systems with steps like creating

red hat certified system administrator - Jul 13 2023

web ex200 red hat certified system administrator rhcsa exam the performance based red hat certified system administrator rhcsa exam ex200 tests your

red hat certified system administrator rhcsa exam ex200 - Apr 10 2023

web the performance based red hat certified system administrator rhcsa exam ex200 tests your knowledge in areas of system administration common across a wide range of

a year in review red hat training s most popular courses of 2022 - Apr 29 2022

[web dec 22 2022](#) throughout 2022 red hat training and certification continued to update our training course catalog to keep pace with changes in red hat technology and

[red hat certified system administrator rhcsa ex200 study](#) - Sep 03 2022

web red hat certified system administrator rhcsa ex200 study guide red hat enterprise linux version 8 rhel 8 officially launched on the 7th of may 2019 and with

ex200 certification system administrator rhcsa 591 lab - Sep 22 2021

web red hat certified system administrator rhcsa exam ex200 certification ex200 is one of the popular certifications offered by redhat and is expected to become the

[red hat certified system administrator rhcsa exam](#) - Aug 14 2023

web the performance based red hat certified system administrator rhcsa exam ex200 tests your knowledge in areas of system administration common across a wide range of

exam vouchers red hat certified system administrator - Feb 08 2023

web the performance based red hat certified system administrator rhcsa exam ex200 tests your knowledge in areas of system administration common across a wide range of

red hat certified system administrator rapid track course with - May 31 2022

web this course combines the significant content of red hat system administration i rh124 and red hat system administration ii rh134 reviewing the tasks at an accelerated

[red hat certified system administrator rhcsa exam ex200](#) - Oct 04 2022

web the performance based rhcsa exam ex200 tests your knowledge and skill in areas of system administration common across a wide range of environments and deployment

red hat certified system administrator rhcsa exam ex200 - May 19 2021

web the performance based rhcsa exam ex200 tests your knowledge and skill in areas of system administration common across a wide range of environments and deployment

how to pass redhat ex200 red hat certified system - Feb 25 2022

web apr 6 2022 redhat ex200 red hat certified system administrator benefits of red hat certified engineer those who pass the red hat ex200 exam with the help of red hat

rhcsa exam training by infinite skills udemy - Jul 01 2022

web this red hat certified systems administrator exam ex200 training course from infinite skills will teach you everything you need to know to become a red hat certified

[ex200 red hat certified system administrator vmexam](#) - Nov 24 2021

web 380 practical and real time scenario based red hat ex200 certification questions similar to the actual red hat rhcsa exam questions with correct answers for