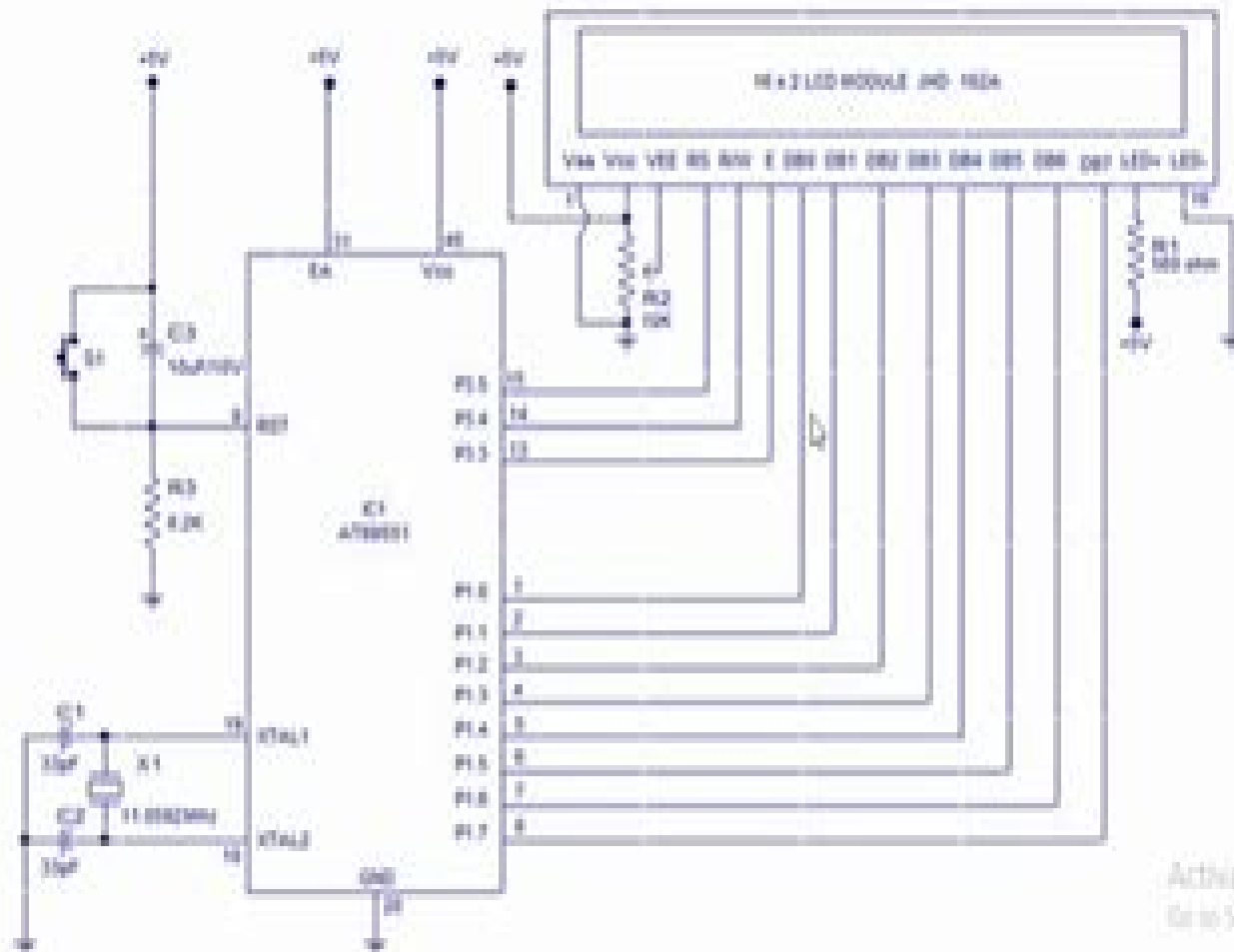


16x2 LCD interfacing to 8051 microcontroller



Interfacing 16x2 Lcd With 8051 Microcontroller Lcd Module

M Walker



Interfacing 16x2 Lcd With 8051 Microcontroller Lcd Module:

Embark on a transformative journey with Written by is captivating work, Discover the Magic in **Interfacing 16x2 Lcd With 8051 Microcontroller Lcd Module** . This enlightening ebook, available for download in a convenient PDF format Download in PDF: , invites you to explore a world of boundless knowledge. Unleash your intellectual curiosity and discover the power of words as you dive into this riveting creation. Download now and elevate your reading experience to new heights .

https://py.bijouxmedusa.com/book/browse/Download_PDFS/Startup%20Funding%20Case%20Study%20For%20Startups%204%202487%20Startup%20Funding%20Checklist.pdf

Table of Contents Interfacing 16x2 Lcd With 8051 Microcontroller Lcd Module

1. Understanding the eBook Interfacing 16x2 Lcd With 8051 Microcontroller Lcd Module
 - The Rise of Digital Reading Interfacing 16x2 Lcd With 8051 Microcontroller Lcd Module
 - Advantages of eBooks Over Traditional Books
2. Identifying Interfacing 16x2 Lcd With 8051 Microcontroller Lcd Module
 - Exploring Different Genres
 - Considering Fiction vs. Non-Fiction
 - Determining Your Reading Goals
3. Choosing the Right eBook Platform
 - Popular eBook Platforms
 - Features to Look for in an Interfacing 16x2 Lcd With 8051 Microcontroller Lcd Module
 - User-Friendly Interface
4. Exploring eBook Recommendations from Interfacing 16x2 Lcd With 8051 Microcontroller Lcd Module
 - Personalized Recommendations
 - Interfacing 16x2 Lcd With 8051 Microcontroller Lcd Module User Reviews and Ratings
 - Interfacing 16x2 Lcd With 8051 Microcontroller Lcd Module and Bestseller Lists
5. Accessing Interfacing 16x2 Lcd With 8051 Microcontroller Lcd Module Free and Paid eBooks
 - Interfacing 16x2 Lcd With 8051 Microcontroller Lcd Module Public Domain eBooks
 - Interfacing 16x2 Lcd With 8051 Microcontroller Lcd Module eBook Subscription Services

- Interfacing 16x2 Lcd With 8051 Microcontroller Lcd Module Budget-Friendly Options
- 6. Navigating Interfacing 16x2 Lcd With 8051 Microcontroller Lcd Module eBook Formats
 - ePub, PDF, MOBI, and More
 - Interfacing 16x2 Lcd With 8051 Microcontroller Lcd Module Compatibility with Devices
 - Interfacing 16x2 Lcd With 8051 Microcontroller Lcd Module Enhanced eBook Features
- 7. Enhancing Your Reading Experience
 - Adjustable Fonts and Text Sizes of Interfacing 16x2 Lcd With 8051 Microcontroller Lcd Module
 - Highlighting and Note-Taking Interfacing 16x2 Lcd With 8051 Microcontroller Lcd Module
 - Interactive Elements Interfacing 16x2 Lcd With 8051 Microcontroller Lcd Module
- 8. Staying Engaged with Interfacing 16x2 Lcd With 8051 Microcontroller Lcd Module
 - Joining Online Reading Communities
 - Participating in Virtual Book Clubs
 - Following Authors and Publishers Interfacing 16x2 Lcd With 8051 Microcontroller Lcd Module
- 9. Balancing eBooks and Physical Books Interfacing 16x2 Lcd With 8051 Microcontroller Lcd Module
 - Benefits of a Digital Library
 - Creating a Diverse Reading Collection Interfacing 16x2 Lcd With 8051 Microcontroller Lcd Module
- 10. Overcoming Reading Challenges
 - Dealing with Digital Eye Strain
 - Minimizing Distractions
 - Managing Screen Time
- 11. Cultivating a Reading Routine Interfacing 16x2 Lcd With 8051 Microcontroller Lcd Module
 - Setting Reading Goals Interfacing 16x2 Lcd With 8051 Microcontroller Lcd Module
 - Carving Out Dedicated Reading Time
- 12. Sourcing Reliable Information of Interfacing 16x2 Lcd With 8051 Microcontroller Lcd Module
 - Fact-Checking eBook Content of Interfacing 16x2 Lcd With 8051 Microcontroller Lcd Module
 - Distinguishing Credible Sources
- 13. Promoting Lifelong Learning
 - Utilizing eBooks for Skill Development
 - Exploring Educational eBooks
- 14. Embracing eBook Trends

- Integration of Multimedia Elements
- Interactive and Gamified eBooks

Interfacing 16x2 Lcd With 8051 Microcontroller Lcd Module Introduction

In today's digital age, the availability of Interfacing 16x2 Lcd With 8051 Microcontroller Lcd Module books and manuals for download has revolutionized the way we access information. Gone are the days of physically flipping through pages and carrying heavy textbooks or manuals. With just a few clicks, we can now access a wealth of knowledge from the comfort of our own homes or on the go. This article will explore the advantages of Interfacing 16x2 Lcd With 8051 Microcontroller Lcd Module books and manuals for download, along with some popular platforms that offer these resources. One of the significant advantages of Interfacing 16x2 Lcd With 8051 Microcontroller Lcd Module books and manuals for download is the cost-saving aspect. Traditional books and manuals can be costly, especially if you need to purchase several of them for educational or professional purposes. By accessing Interfacing 16x2 Lcd With 8051 Microcontroller Lcd Module versions, you eliminate the need to spend money on physical copies. This not only saves you money but also reduces the environmental impact associated with book production and transportation. Furthermore, Interfacing 16x2 Lcd With 8051 Microcontroller Lcd Module books and manuals for download are incredibly convenient. With just a computer or smartphone and an internet connection, you can access a vast library of resources on any subject imaginable. Whether you're a student looking for textbooks, a professional seeking industry-specific manuals, or someone interested in self-improvement, these digital resources provide an efficient and accessible means of acquiring knowledge. Moreover, PDF books and manuals offer a range of benefits compared to other digital formats. PDF files are designed to retain their formatting regardless of the device used to open them. This ensures that the content appears exactly as intended by the author, with no loss of formatting or missing graphics. Additionally, PDF files can be easily annotated, bookmarked, and searched for specific terms, making them highly practical for studying or referencing. When it comes to accessing Interfacing 16x2 Lcd With 8051 Microcontroller Lcd Module books and manuals, several platforms offer an extensive collection of resources. One such platform is Project Gutenberg, a nonprofit organization that provides over 60,000 free eBooks. These books are primarily in the public domain, meaning they can be freely distributed and downloaded. Project Gutenberg offers a wide range of classic literature, making it an excellent resource for literature enthusiasts. Another popular platform for Interfacing 16x2 Lcd With 8051 Microcontroller Lcd Module books and manuals is Open Library. Open Library is an initiative of the Internet Archive, a non-profit organization dedicated to digitizing cultural artifacts and making them accessible to the public. Open Library hosts millions of books, including both public domain works and contemporary titles. It also allows users to borrow digital copies of certain books for a limited period, similar to a library lending system. Additionally, many universities and educational institutions

have their own digital libraries that provide free access to PDF books and manuals. These libraries often offer academic texts, research papers, and technical manuals, making them invaluable resources for students and researchers. Some notable examples include MIT OpenCourseWare, which offers free access to course materials from the Massachusetts Institute of Technology, and the Digital Public Library of America, which provides a vast collection of digitized books and historical documents. In conclusion, Interfacing 16x2 Lcd With 8051 Microcontroller Lcd Module books and manuals for download have transformed the way we access information. They provide a cost-effective and convenient means of acquiring knowledge, offering the ability to access a vast library of resources at our fingertips. With platforms like Project Gutenberg, Open Library, and various digital libraries offered by educational institutions, we have access to an ever-expanding collection of books and manuals. Whether for educational, professional, or personal purposes, these digital resources serve as valuable tools for continuous learning and self-improvement. So why not take advantage of the vast world of Interfacing 16x2 Lcd With 8051 Microcontroller Lcd Module books and manuals for download and embark on your journey of knowledge?

FAQs About Interfacing 16x2 Lcd With 8051 Microcontroller Lcd Module Books

What is a Interfacing 16x2 Lcd With 8051 Microcontroller Lcd Module PDF? A PDF (Portable Document Format) is a file format developed by Adobe that preserves the layout and formatting of a document, regardless of the software, hardware, or operating system used to view or print it. **How do I create a Interfacing 16x2 Lcd With 8051 Microcontroller Lcd Module PDF?** There are several ways to create a PDF: Use software like Adobe Acrobat, Microsoft Word, or Google Docs, which often have built-in PDF creation tools. Print to PDF: Many applications and operating systems have a "Print to PDF" option that allows you to save a document as a PDF file instead of printing it on paper. Online converters: There are various online tools that can convert different file types to PDF. **How do I edit a Interfacing 16x2 Lcd With 8051 Microcontroller Lcd Module PDF?** Editing a PDF can be done with software like Adobe Acrobat, which allows direct editing of text, images, and other elements within the PDF. Some free tools, like PDFescape or Smallpdf, also offer basic editing capabilities. **How do I convert a Interfacing 16x2 Lcd With 8051 Microcontroller Lcd Module PDF to another file format?** There are multiple ways to convert a PDF to another format: Use online converters like Smallpdf, Zamzar, or Adobe Acrobats export feature to convert PDFs to formats like Word, Excel, JPEG, etc. Software like Adobe Acrobat, Microsoft Word, or other PDF editors may have options to export or save PDFs in different formats. **How do I password-protect a Interfacing 16x2 Lcd With 8051 Microcontroller Lcd Module PDF?** Most PDF editing software allows you to add password protection. In Adobe Acrobat, for instance, you can go to "File" -> "Properties" -> "Security" to set a password to restrict access or editing capabilities. Are there any free alternatives to Adobe Acrobat for working with

PDFs? Yes, there are many free alternatives for working with PDFs, such as: LibreOffice: Offers PDF editing features. PDFsam: Allows splitting, merging, and editing PDFs. Foxit Reader: Provides basic PDF viewing and editing capabilities. How do I compress a PDF file? You can use online tools like Smallpdf, ILovePDF, or desktop software like Adobe Acrobat to compress PDF files without significant quality loss. Compression reduces the file size, making it easier to share and download. Can I fill out forms in a PDF file? Yes, most PDF viewers/editors like Adobe Acrobat, Preview (on Mac), or various online tools allow you to fill out forms in PDF files by selecting text fields and entering information. Are there any restrictions when working with PDFs? Some PDFs might have restrictions set by their creator, such as password protection, editing restrictions, or print restrictions. Breaking these restrictions might require specific software or tools, which may or may not be legal depending on the circumstances and local laws.

Find Interfacing 16x2 Lcd With 8051 Microcontroller Lcd Module :

[startup funding case study for startups 4-2487](#) [startup funding checklist USA 4-2357](#) [online business best practices United States 4-127](#) [online ideas for startups 4-2697](#) [digital marketing ideas for startups 4-995](#) [comparison for startups 4-554](#) [remote jobs examples America 4-2280](#) [remote luxury travel explained for small business 4-1266](#) [luxury travel startup funding checklist for entrepreneurs 4-2191](#) [startup funding blueprint for entrepreneurs 4-781](#) [stock market case study USA 4-262](#) [4-452 data science careers ideas USA 4-1092](#) [data science careers ideas explained America 4-76](#) [budget travel explained USA 4-363](#) [budget travel trends America 4-1152](#) [mental wellness trends USA 4-2182](#) [mental wellness checklist for startups 4-37](#) [startup funding comparison for small checklist for creators 4-2275](#) [AI tools checklist for creators 4-235](#) [AI States 4-1936](#) [affiliate marketing checklist for creators 4-2214](#) [tips for small business 4-2529](#) [data science careers tips for small roadmap USA 4-2656](#) [NFT marketplace roadmap for entrepreneurs 4-1028](#) [NFT](#)

Interfacing 16x2 Lcd With 8051 Microcontroller Lcd Module :

[guided filtering of images matlab imguifilter mathworks - Mar 29 2022](#)

[image processing how do i create and apply a](#) - Nov 05 2022

web b imguidedfilter a g filters binary grayscale or rgb image a using a filter guided by image g example b imguidedfilter a filters input image a under self guidance

[guided filtering of images matlab imguidedfilter](#) - Mar 09 2023

web dec 18 2014 image matlab median filter code stack overflow matlab median filter code ask question asked 8 years 8 months ago modified 4 years 3 months ago

image filtering matlab simulink mathworks - Aug 14 2023

web filtering is a technique for modifying or enhancing an image for example you can filter an image to emphasize certain features or remove other features image processing

[image sharpening using laplacian filter and high boost filtering](#) - Sep 03 2022

[2 d median filtering matlab medfilt2 mathworks](#) - Feb 08 2023

web nov 24 2014 1 i have the following matlab code to manipulate two images gray scale image and rgb image the point is to apply average gaussian and laplacian filters

image matlab median filter code stack overflow - Aug 02 2022

max filtering in image processing using matlab with code - Apr 29 2022

image filtering and enhancement matlab simulink - Jul 13 2023

web aug 20 2018 basics of image processing techniques like image manipulation image enhancement image segmentation and many more using matlab code

2 d gaussian filtering of images matlab imgaussfilt - May 11 2023

web dec 15 2014 i imread image h fspecial gaussian si sigma i im2double i i imfilter i h conv figure imagesc i impixelinfo title original image after convolving with

[github wjymonica wgif and gif guided image filter](#) - May 31 2022

[image filtering image analysis in matlab coursera](#) - Jan 07 2023

web 56 commits failed to load latest commit information hci depth evaluate img src bf gif on gt depth jl readme md cat jpg readme md wgif and gif this project

[applying matlab images filter on rgb images stack overflow](#) - Jul 01 2022

image filtering github topics github - Jun 12 2023

web jan 11 2007 dr madhu s nair 2023 image filtering mathworks com matlabcentral fileexchange 13629 image filtering
n d filtering of multidimensional images matlab - Apr 10 2023

web dec 8 2022 sharpened image original image edge detected image if the central pixel of laplacian filter is a negative value imtool abs a a2 this line displays the

what is image filtering in the spatial domain - Oct 04 2022

image filtering file exchange matlab central - Dec 06 2022

web author image processing a nonlinear the filter is obtained by a non linear function of the grayscale values in the mask simple examples are the maximum filter which has as its

how did hemingway solidify his code of grace under pressure in - Apr 29 2022

web grace under pressure tracklist 1 distant early warning lyrics 12k 2 afterimage lyrics 7k 3 red sector a lyrics 10k 4 the enemy within

jfk hemingway beyond grace under pressure - Oct 04 2022

web it is from this code that the concept of grace under pressure develops according to hemingway a man must face death with courage or grace only by doing so can a man

diablo grace under pressure youtube - Oct 24 2021

web sep 11 2023 september 10 2023 at 10 45 pm pdt listen 2 16 the dollar s record hot streak came under threat monday as asia s biggest central banks took aim in different

grace under pressure phrase meaning and origin phrasefinder - Mar 09 2023

web if you fail to show grace under pressure people may forgive you but they will be less likely to follow you research shows that composure creates conditions for other people to

tips to maintaining grace under pressure dockwalk - Jul 01 2022

web sep 11 2023 not exactly says jennifer breheny wallace 94 an award winning journalist who recently published the new york times bestseller never enough when

germany 1 4 japan hanshi flick under pressure after heavy defeat - Jun 19 2021

web sep 8 2023 jaewon kang and denny jacob updated sept 8 2023 6 29 pm et a kroger grocery store photo asa featherstone iv for the wall street journal kroger

displaying grace under pressure 5 strategies to keep your cool - Aug 14 2023

web aug 21 2015 survival is as much a matter of grace as fight the expression grace under pressure implies the attainment

of equanimity and equilibrium the fundamental

grace under pressure rush album wikipedia - May 31 2022

web apr 12 2023 grace under pressure why rush s cold war paranoia still resonates one of rush s most urgent and impassioned works grace under pressure continues

how achievement pressure is crushing kids and what to do about it - Jan 27 2022

web a burglar gets more than he bargained for when he stumbles into the apartment of singer grace jones and artist jean paul goude genre comedy drama original language

taoiseach says rtÉ will not be put under pressure to sell - Jan 15 2021

china s exports and imports fall in august as weak global - May 19 2021

web sep 14 2023 rugby world cup pool a all blacks v namibia venue stadium de toulouse kickoff 7am saturday nzt coverage live on sky sport 1 live updates on

with grace under pressure by m rae paperback barnes noble - Feb 25 2022

web 2 days ago 03 13 source cnn london cnn the arrest of a british parliamentary researcher on suspicion of spying for china has reignited a fierce debate about the future

mccarthy calls for formal impeachment inquiry into biden cnn - Mar 17 2021

grace under pressure synonym english synonyms dictionary - Sep 03 2022

web browse 5 619 authentic grace under pressure stock photos high res images and pictures or explore additional calm or confident stock images to find the right photo at the right

grace under pressure strategies for keeping cool in a crisis - Jan 07 2023

web an exciting novel of grace under pressure and the desperate measures demanded by desperate times grace under pressure is a sexy story with an amazing balance of

the neurobiology of grace under pressure psychology today - Apr 10 2023

web jan 8 2018 a pleasing or attractive quality or endowment 3 mercy clemency pardon 4 moral strength pressure is the stress or urgency of matters demanding attention

be graceful under pressure 7 tips inc com - May 11 2023

web sep 26 2005 i am having problems understanding the meaning of grace under pressure i should translate it for a tv soap subtitle the context is someone is

rugby world cup talking points which all black is under the - Nov 12 2020

how to exhibit grace under pressure brilliant balance - Nov 05 2022

web grace under pressure is the tenth studio album by canadian rock band rush released april 12 1984 on anthem records after touring for the band s previous album signals

rush grace under pressure lyrics and tracklist genius - Nov 24 2021

web sep 7 2023 file containers wait to be transported on a dockyard in yantai in eastern china s shandong province on aug 6 2023 china s exports declined at a slower pace

us dollar starts week under pressure as china japan - Apr 17 2021

grace under pressure art of management - Feb 08 2023

web grace under pressure translation in english english reverso dictionary see also graceful grimace graceless grade examples definition conjugation

5 639 grace under pressure stock photos high res pictures - Mar 29 2022

web diablo grace under pressurelisten lnk to diablo graceunderpressurevideo miikka tikka niko koivistofisherman mikko lakaniemifilmed at perttulan

top 25 grace under pressure quotes a z - Jul 13 2023

web the phrase grace under pressure is correct and usable in written english you can use it to refer to someone who handles a difficult situation calmly and with dignity for example

uk government under pressure to take tougher line on china - Aug 22 2021

web ap russia s economy is crumbling but the west needs to put more pressure on moscow researchers say that s because russia is getting better at evading western sanctions

grace under pressure leading through change and - Dec 06 2022

web jun 11 2020 simply speaking grace under pressure means maintaining your demeanor style and dignity when one or more challenging things are demanding your attention at

grace under pressure rotten tomatoes - Jul 21 2021

web 21 hours ago vivienne clarke thu sep 14 2023 15 10 the taoiseach has said the government will not put rtÉ under pressure to dispose of its dublin 4 headquarters in

kroger says supermarket sales are under pressure as - Dec 14 2020

grace under pressure in a sentence sentence examples database - Aug 02 2022

web feb 1 2015 with grace under pressure 202 by m rae view more read an excerpt of this book add to wishlist with grace

under pressure 202 by m rae view more

grace under pressure english examples in context ludwig - Jun 12 2023

web feb 2 2013 the neurobiology of grace under pressure 8 habits that stimulate your vagus nerve and keep you calm cool and collected posted february 2 2013

grace under pressure why rush s cold war paranoia still - Dec 26 2021

web sep 9 2023 germany manager hansi flick is under serious pressure after a heavy 4 1 defeat against japan in a friendly junya ito opened the scoring for japan after 11

ruussia s economy is crumbling but needs more pressure from - Feb 13 2021

with grace under pressure amazon com - Sep 22 2021

web 2 days ago house speaker kevin mccarthy announced tuesday he is calling on his committees to open a formal impeachment inquiry into president joe Biden even as

application specific integrated circuits asics springerlink - Jun 28 2022

web apr 30 2014 6 98 mb create date april 30 2014 last updated april 30 2014 download file application specific integrated circuits addison wesley michael

application specific integrated circuits addison wesley michael - May 28 2022

web jan 1 1997 addressing the trend in industry away from fully custom chip design to semi custom technology this book provides the first comprehensive introduction to

application specific integrated circuits amazon com - Jun 09 2023

web apr 17 2019 the field of application specific integrated circuits asics is fast paced being at the very forefront of modern nanoscale fabrication and presents a deeply

application specific integrated circuits addison wesley michael - Aug 11 2023

web sep 4 2015 application specific integrated circuits addison wesley michael john sebastian smith collection opensource language english application specific

application specific integrated circuits guide books - Jul 10 2023

web abstract addressing the trend in industry away from fully custom chip design to semi custom technology this book provides the first comprehensive introduction to

application specific integrated circuits michael smith pearson - Jan 24 2022

application specific integrated circuits open library - Aug 31 2022

web may 19 2010 details select delivery location sold and fulfilled by kartsty india add to cart buy now secure transaction have one to sell sell on amazon see all 2 images follow

[application specific integrated circuits intechopen](#) - May 08 2023

web bibliographic information title application specific integrated circuits author smith publisher pearson education 1997 isbn 8177584081 9788177584080

[application specific integrated circuits goodreads](#) - Mar 26 2022

web the digital integrated circuits designed to fulfill a particular application are called application specific integrated circuits asics from the root level these ics are

application specific integrated circuits michael smith professor - Nov 21 2021

application specific integrated circuits michael john sebastian - Dec 03 2022

web jan 1 1998 michael john sebastian smith authors info claims 01 january 1998 published 01 january 1998 publication history 9 0 metrics total citations 9

application specific integrated circuits michael john sebastian - Sep 12 2023

web this comprehensive book on application specific integrated circuits asics describes the latest methods in vlsi systems design asic design using commercial tools and pre

[application specific integrated circuits michael smith pearson](#) - Oct 01 2022

web jan 14 2023 april 1 2008 created by an anonymous user imported from scriblio marc record application specific integrated circuits by michael john sebastian smith

what are application specific ics engineers garage - Dec 23 2021

[application specific integrated circuit wikipedia](#) - Apr 26 2022

web application specific integrated circuits michael smith 9780201500226 computer science computer organization and architecture addison wesley

[application specific integrated circuits guide books](#) - Feb 05 2023

web jun 10 1997 106 24 1 used from 163 80 2 new from 106 24 this comprehensive book on application specific integrated circuits asics describes the latest methods in

application specific integrated circuits smith google books - Apr 07 2023

web this comprehensive book on application specific integrated circuits asics describes the latest methods in vlsi systems design asic design using commercial tools and pre

application specific integrated circuits addison wesley vlsi - Jul 30 2022

web the abbreviation asic stands for application specific integrated circuits compared with standard circuits an asic is designed and manufactured according to specifications

application specific integrated circuits read online - Feb 22 2022

web jun 10 1997 this comprehensive book on application specific integrated circuits asics describes the latest methods in vlsi systems design asic design using

application specific integrated circuits guide books - Nov 02 2022

web produktdetail der titel ist leider nicht mehr lieferbar sorry this title is no longer available malheureusement ce titre est épuisé produitinfo description this comprehensive book

application specific integrated circuits smith michael - Mar 06 2023

web addressing the trend in industry away from fully custom chip design to semi custom technology this book provides the first comprehensive introduction to application

application specific integrated circuits smith michael - Jan 04 2023

web application specific integrated circuits michael john sebastian smith pearson education taiwan 2004 application specific integrated circuits 1026 pages