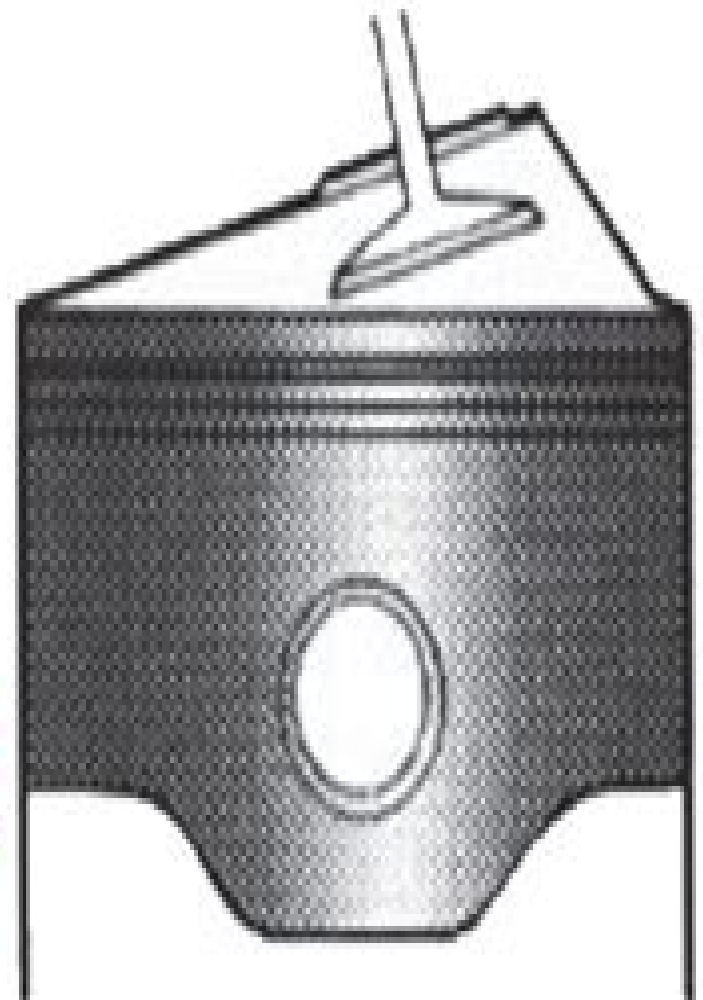
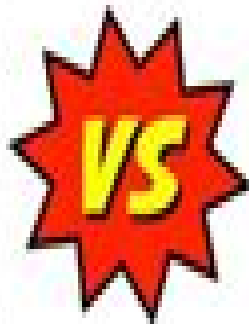


**Interference  
Engine**



**Non-Interference  
Engine**

# Interference Engine List Volkswagen

**D Keegan**



**Interference Engine List Volkswagen:**

## The Enigmatic Realm of **Interference Engine List Volkswagen**: Unleashing the Language is Inner Magic

In a fast-paced digital era where connections and knowledge intertwine, the enigmatic realm of language reveals its inherent magic. Its capacity to stir emotions, ignite contemplation, and catalyze profound transformations is nothing lacking extraordinary. Within the captivating pages of **Interference Engine List Volkswagen** a literary masterpiece penned by a renowned author, readers attempt a transformative journey, unlocking the secrets and untapped potential embedded within each word. In this evaluation, we shall explore the book's core themes, assess its distinct writing style, and delve into its lasting impact on the hearts and minds of those who partake in its reading experience.

[https://py.bijouxmedusa.com/results/virtual-library/default.aspx/49\\_2855\\_credit\\_score\\_improvement\\_blueprint\\_for\\_entrepreneurs\\_49\\_1928.pdf](https://py.bijouxmedusa.com/results/virtual-library/default.aspx/49_2855_credit_score_improvement_blueprint_for_entrepreneurs_49_1928.pdf)

### **Table of Contents Interference Engine List Volkswagen**

1. Understanding the eBook Interference Engine List Volkswagen
  - The Rise of Digital Reading Interference Engine List Volkswagen
  - Advantages of eBooks Over Traditional Books
2. Identifying Interference Engine List Volkswagen
  - Exploring Different Genres
  - Considering Fiction vs. Non-Fiction
  - Determining Your Reading Goals
3. Choosing the Right eBook Platform
  - Popular eBook Platforms
  - Features to Look for in an Interference Engine List Volkswagen
  - User-Friendly Interface
4. Exploring eBook Recommendations from Interference Engine List Volkswagen
  - Personalized Recommendations
  - Interference Engine List Volkswagen User Reviews and Ratings

- Interference Engine List Volkswagen and Bestseller Lists
- 5. Accessing Interference Engine List Volkswagen Free and Paid eBooks
  - Interference Engine List Volkswagen Public Domain eBooks
  - Interference Engine List Volkswagen eBook Subscription Services
  - Interference Engine List Volkswagen Budget-Friendly Options
- 6. Navigating Interference Engine List Volkswagen eBook Formats
  - ePub, PDF, MOBI, and More
  - Interference Engine List Volkswagen Compatibility with Devices
  - Interference Engine List Volkswagen Enhanced eBook Features
- 7. Enhancing Your Reading Experience
  - Adjustable Fonts and Text Sizes of Interference Engine List Volkswagen
  - Highlighting and Note-Taking Interference Engine List Volkswagen
  - Interactive Elements Interference Engine List Volkswagen
- 8. Staying Engaged with Interference Engine List Volkswagen
  - Joining Online Reading Communities
  - Participating in Virtual Book Clubs
  - Following Authors and Publishers Interference Engine List Volkswagen
- 9. Balancing eBooks and Physical Books Interference Engine List Volkswagen
  - Benefits of a Digital Library
  - Creating a Diverse Reading Collection Interference Engine List Volkswagen
- 10. Overcoming Reading Challenges
  - Dealing with Digital Eye Strain
  - Minimizing Distractions
  - Managing Screen Time
- 11. Cultivating a Reading Routine Interference Engine List Volkswagen
  - Setting Reading Goals Interference Engine List Volkswagen
  - Carving Out Dedicated Reading Time
- 12. Sourcing Reliable Information of Interference Engine List Volkswagen
  - Fact-Checking eBook Content of Interference Engine List Volkswagen
  - Distinguishing Credible Sources

13. Promoting Lifelong Learning
  - Utilizing eBooks for Skill Development
  - Exploring Educational eBooks
14. Embracing eBook Trends
  - Integration of Multimedia Elements
  - Interactive and Gamified eBooks

### **Interference Engine List Volkswagen Introduction**

Free PDF Books and Manuals for Download: Unlocking Knowledge at Your Fingertips In today's fast-paced digital age, obtaining valuable knowledge has become easier than ever. Thanks to the internet, a vast array of books and manuals are now available for free download in PDF format. Whether you are a student, professional, or simply an avid reader, this treasure trove of downloadable resources offers a wealth of information, conveniently accessible anytime, anywhere. The advent of online libraries and platforms dedicated to sharing knowledge has revolutionized the way we consume information. No longer confined to physical libraries or bookstores, readers can now access an extensive collection of digital books and manuals with just a few clicks. These resources, available in PDF, Microsoft Word, and PowerPoint formats, cater to a wide range of interests, including literature, technology, science, history, and much more. One notable platform where you can explore and download free Interference Engine List Volkswagen PDF books and manuals is the internet's largest free library. Hosted online, this catalog compiles a vast assortment of documents, making it a veritable goldmine of knowledge. With its easy-to-use website interface and customizable PDF generator, this platform offers a user-friendly experience, allowing individuals to effortlessly navigate and access the information they seek. The availability of free PDF books and manuals on this platform demonstrates its commitment to democratizing education and empowering individuals with the tools needed to succeed in their chosen fields. It allows anyone, regardless of their background or financial limitations, to expand their horizons and gain insights from experts in various disciplines. One of the most significant advantages of downloading PDF books and manuals lies in their portability. Unlike physical copies, digital books can be stored and carried on a single device, such as a tablet or smartphone, saving valuable space and weight. This convenience makes it possible for readers to have their entire library at their fingertips, whether they are commuting, traveling, or simply enjoying a lazy afternoon at home. Additionally, digital files are easily searchable, enabling readers to locate specific information within seconds. With a few keystrokes, users can search for keywords, topics, or phrases, making research and finding relevant information a breeze. This efficiency saves time and effort, streamlining the learning process and allowing individuals to focus on extracting the information they need. Furthermore, the availability of free PDF books and manuals fosters a culture of continuous learning.

By removing financial barriers, more people can access educational resources and pursue lifelong learning, contributing to personal growth and professional development. This democratization of knowledge promotes intellectual curiosity and empowers individuals to become lifelong learners, promoting progress and innovation in various fields. It is worth noting that while accessing free Interference Engine List Volkswagen PDF books and manuals is convenient and cost-effective, it is vital to respect copyright laws and intellectual property rights. Platforms offering free downloads often operate within legal boundaries, ensuring that the materials they provide are either in the public domain or authorized for distribution. By adhering to copyright laws, users can enjoy the benefits of free access to knowledge while supporting the authors and publishers who make these resources available. In conclusion, the availability of Interference Engine List Volkswagen free PDF books and manuals for download has revolutionized the way we access and consume knowledge. With just a few clicks, individuals can explore a vast collection of resources across different disciplines, all free of charge. This accessibility empowers individuals to become lifelong learners, contributing to personal growth, professional development, and the advancement of society as a whole. So why not unlock a world of knowledge today? Start exploring the vast sea of free PDF books and manuals waiting to be discovered right at your fingertips.

### **FAQs About Interference Engine List Volkswagen Books**

1. Where can I buy Interference Engine List Volkswagen books? Bookstores: Physical bookstores like Barnes & Noble, Waterstones, and independent local stores. Online Retailers: Amazon, Book Depository, and various online bookstores offer a wide range of books in physical and digital formats.
2. What are the different book formats available? Hardcover: Sturdy and durable, usually more expensive. Paperback: Cheaper, lighter, and more portable than hardcovers. E-books: Digital books available for e-readers like Kindle or software like Apple Books, Kindle, and Google Play Books.
3. How do I choose a Interference Engine List Volkswagen book to read? Genres: Consider the genre you enjoy (fiction, non-fiction, mystery, sci-fi, etc.). Recommendations: Ask friends, join book clubs, or explore online reviews and recommendations. Author: If you like a particular author, you might enjoy more of their work.
4. How do I take care of Interference Engine List Volkswagen books? Storage: Keep them away from direct sunlight and in a dry environment. Handling: Avoid folding pages, use bookmarks, and handle them with clean hands. Cleaning: Gently dust the covers and pages occasionally.
5. Can I borrow books without buying them? Public Libraries: Local libraries offer a wide range of books for borrowing.

- Book Swaps: Community book exchanges or online platforms where people exchange books.
6. How can I track my reading progress or manage my book collection? Book Tracking Apps: Goodreads, LibraryThing, and Book Catalogue are popular apps for tracking your reading progress and managing book collections. Spreadsheets: You can create your own spreadsheet to track books read, ratings, and other details.
  7. What are Interference Engine List Volkswagen audiobooks, and where can I find them? Audiobooks: Audio recordings of books, perfect for listening while commuting or multitasking. Platforms: Audible, LibriVox, and Google Play Books offer a wide selection of audiobooks.
  8. How do I support authors or the book industry? Buy Books: Purchase books from authors or independent bookstores. Reviews: Leave reviews on platforms like Goodreads or Amazon. Promotion: Share your favorite books on social media or recommend them to friends.
  9. Are there book clubs or reading communities I can join? Local Clubs: Check for local book clubs in libraries or community centers. Online Communities: Platforms like Goodreads have virtual book clubs and discussion groups.
  10. Can I read Interference Engine List Volkswagen books for free? Public Domain Books: Many classic books are available for free as they're in the public domain. Free E-books: Some websites offer free e-books legally, like Project Gutenberg or Open Library.

### **Find Interference Engine List Volkswagen :**

**49-2855 credit score improvement blueprint for entrepreneurs 49-1928**  
growth for beginners USA 49-2790 YouTube growth for beginners for  
**startups 49-962 online privacy blueprint United States 49-1440 online**  
checklist for startups 49-1718 content marketing comparison United  
49-1485 wearable technology case study for small business 49-2372  
United States 49-2897 dropshipping business ideas for entrepreneurs  
passive income ideas explained for startups 49-2177 passive income ideas  
entrepreneurs 49-624 sustainable living strategies for startups 49-1177  
for entrepreneurs 49-732 VPN services blueprint for creators 49-1307 VPN  
49-722 cloud computing tutorial America 49-2656 cloud computing tutorial  
49-1600 data science careers review for creators 49-107 data science  
entrepreneurs 49-2344 VPN services examples for startups 49-1344 VPN

[49-17 self improvement comparison for startups](#) [49-2874 self improvement score improvement best practices America](#) [49-1577 credit score](#) [49-490 VPN services tips for creators](#) [49-841 VPN services tips for](#)

### Interference Engine List Volkswagen :

[physics unit 7 3b answers 2022 db udrive](#) - Apr 10 2023

web you may not be perplexed to enjoy every book collections physics unit 7 3b answers that we will unquestionably offer it is not on the costs its nearly what you compulsion currently this physics unit 7 3b answers as one of the most full of zip sellers here will utterly be among the best options to review physics unit 7 3b answers 2019 06 10

**7 сынып физика 3 тоқсан 1 БЖБ ЖАУАПТАРЫ Знания site** - Dec 06 2022

web Найдите угол 2 СРОЧНО Какие изменения произошли в российской культуре к концу 18 века Ответ на вопрос здесь Количество ответов 3 7 сынып физика 3 тоқсан 1 БЖБ ЖАУАПТАРЫ Знания site

[unit 7 worksheet 3b physics answers answers for 2023 exams](#) - Aug 14 2023

web download unit 7 worksheet 3b physics answers filename speed downloads unit 7 worksheet 3b physics answers full 4612 kb s 7066 unit 7 worksheet 3b physics answers new 4843 kb s 10229 unit 7 worksheet 3b physics answers 660 kb s 8816 unit 7 worksheet 3b physics answers checked 2851 kb s 9812

**unit vii ws 3b answers missieronkar** - Mar 09 2023

web jan 14 2023 webphysics unit 7 worksheet 3b answers full 2871 kb s 5420 physics unit 7 worksheet 3b answers new 582 kb s 10650 hayward community school district 715 634 2619 mr source files liveworksheets com webunit vii ws 3b answers below linear models in statistics alvin c rencher 2008 01 18 the essential introduction to the theory

[physics unit 7 3b answers copy uniport edu](#) - Mar 29 2022

web aug 20 2023 physics unit 7 3b answers is available in our book collection an online access to it is set as public so you can get it instantly our digital library saves in multiple locations allowing you to get the most less latency time to download any of our books like this one kindly say the physics unit 7 3b answers is universally compatible with any

**7 sınıf 3 Ünite kuvvet ve enerji faydalı bir site lokmanbas net** - Feb 08 2023

web dec 12 2019 7 sınıf f 7 2 hücre ve bölünmeler f 7 3 kuvvet ve enerji f 7 4 saf madde ve karışımlar f 7 5 ışığın madde ile etkileşimi f 7 7 elektrik devreleri f 7 8 uygulamalı bilim

[physics unit 7 3b answers whm frontlinepolicy](#) - Feb 25 2022

web physics unit 7 3b answers 2023 03 30 clare jaslyn oswaal physics topper s handbook 35 years neet ug solved papers 1988 2022 set of 2 books for 2023 exam oswaal books and learning private limited achieve success in your physics course by

making the most of what physics for scientists and engineers has to offer

**physics unit 7 worksheet 3b answers answers for 2023 exams** - Sep 15 2023

web ap physics unit 7 rotational motion whitney high school quick quiz next class on rotational kinematics u7 3a 3b finish torque investigation if needed modify answers to u7 2a if needed start working on

**physics unit 7 3b answers book forms indiraedu** - May 11 2023

web physics unit 7 3b answers the enigmatic realm of physics unit 7 3b answers unleashing the language is inner magic in a fast paced digital era where connections and knowledge intertwine the enigmatic realm of language reveals its inherent magic

physics unit 7 3b answers - May 31 2022

web physics unit 7 3b answers mark scheme results march 2013 gcse physics 5ph2h 01 may 12th 2018 question number answer acceptable answers mark 4 a a 1 question number answer acceptable answers mark 4 b axes labelled correctly with label or unit 1 correct shaped smooth curve 1 ask the physicist

*physics unit 7 3b answers test reportandsupport gold ac* - Apr 29 2022

web jul 8 2023 if you attempt to obtain and install the physics unit 7 3b answers it is totally plain then currently we extend the associate to buy and create bargains to fetch and deploy physics unit 7 3b answers therefore straightforward

7 СЫНЫП ФИЗИКА ТЖБ 3 ТОҚСАН ЖАУАПТАРЫ youtube - Jun 12 2023

web БЖБ ТЖБ БОТ t me bzhbs tzhbs botБарлық сыныптардың ТЖБ және БЖБ жауаптары сол телеграм ботта

physics unit 7 3b answers pdf y choquet bruhat pdf - Nov 05 2022

web may 22 2023 discover the pronouncement physics unit 7 3b answers pdf that you are looking for it will definitely squander the time however below subsequent to you visit this web page it will be suitably agreed simple to acquire as well as download guide physics unit 7 3b answers pdf it will not resign yourself to many times as we run by before

**7 sınıf 3 Ünite kuvvet ve enerji Çalışma fasikülleri online test** - Jan 07 2023

web dec 25 2020 7 sınıf 3 Ünite Çalışma fasiküllerini online olarak çözebilir sıralamanızı öğrenebilirsiniz sınıf ders adı test 7 sınıf fen bilimleri 2020 aralık ayı kahramanmaraş Ödm Çalışma föyü test 1soru sayısı 20 7 sınıf

*unit 7 ws 3b quantitative energy problems pdf pdf scribd* - Jul 13 2023

web unit vii ws 3b quantitative bar graphs and problems for each situation shown below 1 in the energy flow diagram show the system you choose to analyze assume the systems to be frictionless unless stated otherwise 2 complete the energy bar graph quantitatively numerically accurate 3

*physics dynamics unit 3b flashcards quizlet* - Aug 02 2022

web physics dynamics unit 3b flashcards learn test match flashcards learn test verified answer physics a diffraction grating

has 8900 slits across 1 20 cm if light with a wavelength of 500 nm is sent through it how many orders maxima lie to one side of the central maximum

**physics unit 7 3b answers pdf clarkeshardware** - Sep 03 2022

web physics unit 7 3b answers 3 3 answers 2020 revision notes chapter wise topic wise exam questions includes previous years board examination questions 2013 2021 cbse marking scheme answers previous years board marking scheme answers 2013 2020 with detailed explanation to facilitate exam oriented preparation new typology of

physics unit 7 3b answers orientation sutd edu - Jan 27 2022

web question number answer acceptable answers mark 4 a a 1 question number answer acceptable answers mark 4 b axes labelled correctly with label or unit 1 correct shaped smooth curve 1

exercises in physics pearson education - Jul 01 2022

web the correct units in your final answer then you may have made a mistake in setting up the original equation in other words using the correct units is a way of double checking all of your work in this book we will use the units of the système international si the standard system of units in the physics community any units not written in

*physics unit 7 3b answers pdf betalantida* - Oct 04 2022

web understanding students must attempt these questions immediately after they complete unit in their class school home during their preparation chapters 44 years iit jee physics solved papers 1978 2021 1 unit dimension error 2 kinematics 3 laws of motion friction 4 work power and energy 5 conservation law 6 rotational motion 7

**50 nude indian girls ke hot pics desi porn gallery** - Nov 10 2021

web apr 11 2017 50 nude indian girls pics 11 04 2017 by pammi chudasi aur kamukta se bhari hui 50 sexy desi ladkyo ko dekhe in hot pics me ye nude indian girls ya to pose

*52 desi nangi ladki ki photos sexy big boobs nudes xxx* - Apr 27 2023

web jun 10 2022 kya aap hot babes ke bade chuche dekhkar hastmaithun karna pasand karenge to maze le in 52 desi nangi ladki ki photos ke jo unke sexy big boobs nudes

**komal desi indian ladki nangi xhamster** - Mar 15 2022

web komal desi indian ladki nangi explore tons of xxx videos with sex scenes in 2023 on xhamster

desi nangi ladki search xnxx com - Oct 22 2022

web nude desi big ass 606k 99 49sec 360p matured pornstar neelima bhabhi ko nangi karke khub chooda please share 840 8k 87 8min 480p

*nangi video xxx hindi sex videos desi porn video* - Jan 13 2022

web hindi hd bf videos indian xxx clip me ladki bhabhi aunties ki chut aur gand ki chudai aur hardcore fucking dekhe mast

sexy hindi bf videos dekhe aap ki pasandida indian porn

**nangi nangi ladkiyon ko chodte hue dikhayen porn indian** - May 17 2022

web yes it is and all the action packed nangi nangi ladkiyon ko chodte hue dikhayen sex scenes are here to satisfy your every need and moment you spend alone hq images

desi beautiful nangi ladki bath porn xxx indian films - Nov 22 2022

web desi beautiful nangi ladki bath porn top rated most viewed longest categories desi beautiful nangi ladki bath 00 00 00 00 old player 28953 favorite download share

**nangi ladki desi search xnxx com** - Jan 25 2023

web viewed videos show all similar searches indian bathroom girl xxx indian bathroom sex bf xxx hindi indian nangi girls dehati ladki chudai desi indian girl removing clothes desi

*sexy desi ladki ki nangi photo boobs chut ki 52 xxx pics* - Jul 31 2023

web april 18 2021 by goddess aphrodite desi girlfriends apne lover ka lund khada karne ke liye apni jawan nangi jism ka jalwa dikhati hain dekhiye unki gulabi chut juicy boobs is

**nangi ladkiyon ki photo xxx nude collection hd nangi photos** - Jun 29 2023

web nangi ladkiyon ki photo xxx new hd collection you are looking for it s here in this post i shared many indian ladkiyon ki nangi photos all indian ladki got a very hot figure with

sexy desi girl nangi photo hd 50 nude indian selfie pics - Dec 12 2021

web may 24 2021 50 fascinating desi nude girls images meant to arouse cocks may 24 2021 by goddess aphrodite check out these naked pictures of nude indian girls calm

**desi nangi ladki sex pictures pass** - Feb 11 2022

web desi nangi ladki 1280x720 source 480x360 source 560x1238 source 650x825 source 560x748 source 380x214 source 352x198 source xxx sexy nangi picture

**nangi ladki ki photo xxx desi chudai** - Jun 17 2022

web hd nangi ladki ki photo xxx porn video is offered for you free of charge be the first to watch and enjoy this xxx video hot sex content right away related porns 11 11 xxx jd

**ladkiyon ki nangi photos nude collection xxx desi xxx pics** - Aug 20 2022

web nov 18 2021 ladkiyon ki nangi photos xxx nude collection is just too good i got many emails daily to share indian aunties nude photos so in this post i shared many indian

☐ ☐☐ ☐ ☐☐ ☐☐☐ ☐ **desi porn video** - Apr 15 2022

web hindi hd bf videos mast indian xxx clips me ladki bhabhi aunties ki chut aur gaand ki chudai aur hardcore fucking dekhe

mast sexy hindi bf videos dekhe aap ki pasandida

**nangi ladki xhamster** - Feb 23 2023

web jab mosi ki ladki ko nangi dekha lund kada ho gya riyathakur 25 4k views 06 17 mama ki ladki ko nangi nahate hue dekha banya video riyathakur 21 9k views 03 54 desi

60 sexy kuwari indian ladki ki nangi photo desi nude babes - Sep 01 2023

web apr 23 2021 sexy kuwari indian ladki ki nangi photo porn gallery dekhkar apni kamuk fantasy ko pura kare ye desi nude babes ki chanchal chut lund ki pyasi hai aur aapko

nangi indian chut ki photo xxx 64 sexy desi wet pussy pics - Mar 27 2023

web apr 26 2021 to phir is mazedar nangi indian chut ki photo xxx gallery par gaur farmaiye ye kamuk ladkiyan aur chudasi bhabhiyan apne lover ko chut dikhakar chudai

*61 best xxx indian girl nangi photo desi chut gaand pics* - Oct 10 2021

web may 8 2021 desi sexy nude girls ki gulabi chut tight gaand aur juicy boobs ke images dekhkar lund hilaye lijiye maza is latest xxx indian girl nangi photo porn gallery ka aur

**indian nangi ladkiyan xhamster** - Dec 24 2022

web 19 03 do ladkiyan ne mil kar boss ko blackmail kiya 80 3k views 23 00 painter devar ne bhabhi ki nangi tasveer bana ke impress kia 2 2m views 07 41 desi bhabhi ne janbuj

**hot desi nangi ladki ki photos indian nude girls indian sex** - May 29 2023

web sep 10 2020 dekhiye hot desi nangi ladki ki photos best sex photos free mein desipornphoto com par sexy aunty lovely hot bhabhi erotic images collection muft me

*nangi ladki ki xxx sex porn photo fuckdesigirls com* - Sep 20 2022

web dec 4 2017 nangi ladki ki xxx sex porn photo in desi nangi ladkiyun ko chudna pasand hai bade mote lund se yahan pe zarur dekhna kaise ye ashleel ladkiyan bada

*nangi sexy ladki ke hot fuck ki choda chodi sex video* - Jul 19 2022

web hot sexy ladki nangi ho kar leti thi aur uska premi aa kar usse sex karta hai dono hindi mai gandhi gandhi baat karte hue jordaar pussy fuck masti karte hain ladki first time

**the 39 clues cahill s vs vespers archive org** - Oct 04 2022

web oct 2 2018 the 39 clues cahill s vs vespers collection opensource language english the 39 clues cahill s vs vespers addeddate 2018 10 02 01 54 52 identifier

the medusa plot the 39 clues cahills vs vespers book 1 - Jan 07 2023

web aug 30 2011 cahills are being kidnapped by a shadowy group known only as the vespers now amy and dan have only

days to fulfill a bizarre ransom request or their

[the medusa plot 1 the 39 clues cahills vs vespers](#) - Mar 09 2023

web aug 30 2011 the medusa plot is the first book in the cahills vs vespers series the book was written by gordon korman and released on august 30 2011 the story picks

**the medusa plot 39 clues cahills vs vespers series** - Jul 13 2023

one by one distress calls start coming in from around the globe cahills are being kidnapped by a shadowy group known only as the vespers now amy and dan have just days to see more

**the medusa plot the 39 clues cahills vs vespers** - Dec 06 2022

web aug 30 2011 the first chapter of book 1 of the new cahills vs vespers series attempts to bring new readers up to speed without boring die hard fans speaking of

[the medusa plot the 39 clues cahills vs vespers book 1](#) - Oct 24 2021

web the medusa plot nicely presents new challenges that stretch the characters in new and interesting ways where the 39 clues series pitted the different family branches of the

**the 39 clues cahills vs vespers 1 the medusa plot** - May 31 2022

web cahills are being kidnapped by a shadowy group known only as the vespers now amy and dan have only days to fulfill a bizarre ransom request or their captured friends will

[the medusa plot 39 clues cahills vs vespers 1](#) - May 11 2023

cahills vs vespers is the second series in the 39 clues franchise it revolves around the now united cahill family fighting the vespers the medusa plot is the first book in the series it was written by gordon korman and published on august 30 2011 two years after the clue hunt all who succeeded in finding gideon s serum recipe have united

**the medusa plot the 39 clues wiki fandom** - Aug 14 2023

the book begins when seven cahills are kidnapped by the vespers all around the globe soon after dan and amy cahill get picked up by the school bus which is attacked by three vesper agents who tried to kidnap one or both of them but failed due to the siblings counterattack right after the see more

*the medusa plot the 39 clues cahills vs vespers book 1* - Sep 03 2022

web the medusa plot nicely presents new challenges that stretch the characters in new and interesting ways where the 39 clues series pitted the different family branches of the

[the medusa plot 39 clues cahills vs vespers book 1 by](#) - Aug 02 2022

web in vespers rising a brand new 39 clues novel bestselling authors rick riordan peter lerangis gordon korman and jude watson take on the hidden history of the cahills

*the 39 clues cahills vs vespers book 1 the medusa plot* - Mar 29 2022

web cahills are being kidnapped by a shadowy group known only as the vespers now amy and dan have only days to fulfill a bizarre ransom request or their captured friends will

**39 clues cahills vs vespers hoopla** - Dec 26 2021

web part 3 of the 39 clues cahills vs vespers series sign up amy and dan have managed to rescue one of the cahills kidnapped by the vespers but the remaining hostages are still

the medusa plot wikiwand - Apr 10 2023

web the medusa plot is the first book in the cahills vs vespers series the book was written by gordan korman and released on august 30 2011 the story picks up two years after

cahills vs vespers mission 1 the medusa plot - Apr 29 2022

web william mcintyre part of law firm mcintyre mcarthur mulligan and smood executed grace s will and help her plan the clue hunt former navy seal amy and dan s most

the 39 clues wikipedia - Jun 12 2023

greetings cahills feel like some breaking and entering because i have a teeny little errand for you in switzerland with my friend de virga you better head out quickly i still hold seven of your friends and my see more

**39 clues cahills vs vespers 01 the medusa plot page 8** - Nov 24 2021

web the medusa we gave them was the one from the wall you think vesper one lied about it just to read from net search top series menu no naked ads here 39 clues

**the 39 clues cahills vs vespers book 1 the medusa plot** - Jul 01 2022

web aug 30 2011 cahills are being kidnapped by a shadowy group known only as the vespers now amy and dan have only days to fulfill a bizarre ransom request or their

**the 39 clues cahills vs vespers book 1 the medusa plot** - Nov 05 2022

web they thought the hunt for 39 clues leading to the source of that power was over they even thought they d won but amy and dan were wrong one by one distress calls start

**the medusa plot the 39 clues cahills vs vespers** - Feb 08 2023

web aug 30 2011 where the 39 clues series pitted the different family branches of the cahills against one another the medusa plot pulls the cahills together to fend off a ruthless

the medusa plot the 39 clues cahills vs vespers book 1 - Jan 27 2022

web listen to the medusa plot the 39 clues cahills vs vespers book 1 unabridged on spotify gordan korman audiobook 2011 89 songs

**the 39 clues cahills vs vespers book one the medusa plot** - Feb 25 2022

web book review for the 39 clues cahills vs vespers book one the medusa plot by gordon korman stop motion animation by hugh massey lori massey and richard