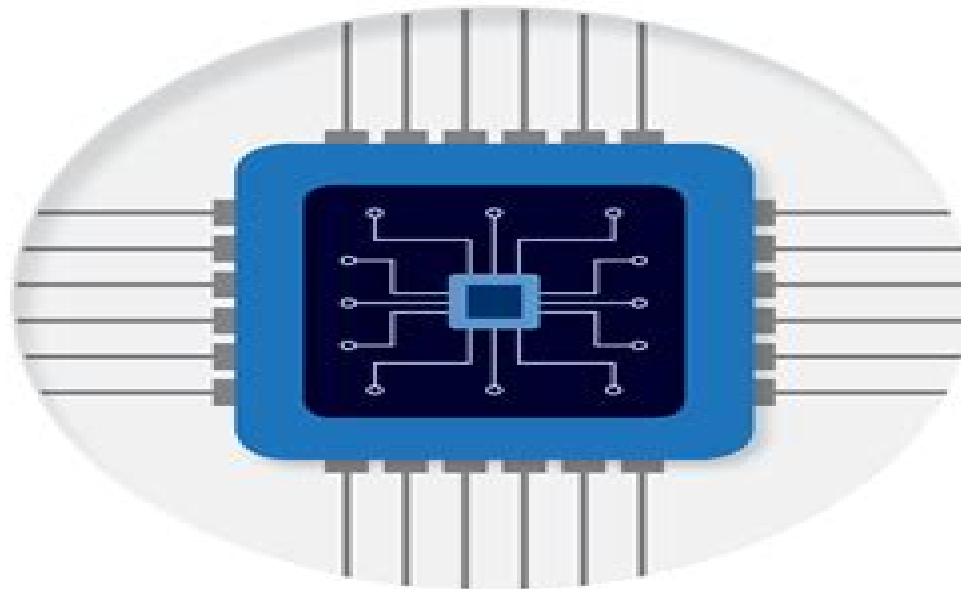


# SEDRA/SMITH

## Microelectronic Circuits

EIGHTH EDITION

ADEL S. SEDRA | KENNETH C. SMITH | TONY CHAN CARUSONE | VINCENT GAUDET



# Microelectronic Circuits 5th Edition Scribd

**K Payea**



**Microelectronic Circuits 5th Edition Scribd:**

Thank you certainly much for downloading **Microelectronic Circuits 5th Edition Scribd**. Maybe you have knowledge that, people have look numerous time for their favorite books next this Microelectronic Circuits 5th Edition Scribd, but end stirring in harmful downloads.

Rather than enjoying a fine PDF afterward a mug of coffee in the afternoon, then again they juggled taking into account some harmful virus inside their computer. **Microelectronic Circuits 5th Edition Scribd** is straightforward in our digital library an online access to it is set as public for that reason you can download it instantly. Our digital library saves in multiple countries, allowing you to acquire the most less latency time to download any of our books later than this one. Merely said, the Microelectronic Circuits 5th Edition Scribd is universally compatible later any devices to read.

<https://py.bijouxmedusa.com/About/virtual-library/fetch.php/For%20Creators%2047%202669%20Home%20Organization%20Tutorial%20For%20Startups%2047%201144.pdf>

## **Table of Contents Microelectronic Circuits 5th Edition Scribd**

1. Understanding the eBook Microelectronic Circuits 5th Edition Scribd
  - The Rise of Digital Reading Microelectronic Circuits 5th Edition Scribd
  - Advantages of eBooks Over Traditional Books
2. Identifying Microelectronic Circuits 5th Edition Scribd
  - Exploring Different Genres
  - Considering Fiction vs. Non-Fiction
  - Determining Your Reading Goals
3. Choosing the Right eBook Platform
  - Popular eBook Platforms
  - Features to Look for in an Microelectronic Circuits 5th Edition Scribd
  - User-Friendly Interface
4. Exploring eBook Recommendations from Microelectronic Circuits 5th Edition Scribd
  - Personalized Recommendations

- Microelectronic Circuits 5th Edition Scribd User Reviews and Ratings
- Microelectronic Circuits 5th Edition Scribd and Bestseller Lists
- 5. Accessing Microelectronic Circuits 5th Edition Scribd Free and Paid eBooks
  - Microelectronic Circuits 5th Edition Scribd Public Domain eBooks
  - Microelectronic Circuits 5th Edition Scribd eBook Subscription Services
  - Microelectronic Circuits 5th Edition Scribd Budget-Friendly Options
- 6. Navigating Microelectronic Circuits 5th Edition Scribd eBook Formats
  - ePub, PDF, MOBI, and More
  - Microelectronic Circuits 5th Edition Scribd Compatibility with Devices
  - Microelectronic Circuits 5th Edition Scribd Enhanced eBook Features
- 7. Enhancing Your Reading Experience
  - Adjustable Fonts and Text Sizes of Microelectronic Circuits 5th Edition Scribd
  - Highlighting and Note-Taking Microelectronic Circuits 5th Edition Scribd
  - Interactive Elements Microelectronic Circuits 5th Edition Scribd
- 8. Staying Engaged with Microelectronic Circuits 5th Edition Scribd
  - Joining Online Reading Communities
  - Participating in Virtual Book Clubs
  - Following Authors and Publishers Microelectronic Circuits 5th Edition Scribd
- 9. Balancing eBooks and Physical Books Microelectronic Circuits 5th Edition Scribd
  - Benefits of a Digital Library
  - Creating a Diverse Reading Collection Microelectronic Circuits 5th Edition Scribd
- 10. Overcoming Reading Challenges
  - Dealing with Digital Eye Strain
  - Minimizing Distractions
  - Managing Screen Time
- 11. Cultivating a Reading Routine Microelectronic Circuits 5th Edition Scribd
  - Setting Reading Goals Microelectronic Circuits 5th Edition Scribd
  - Carving Out Dedicated Reading Time
- 12. Sourcing Reliable Information of Microelectronic Circuits 5th Edition Scribd
  - Fact-Checking eBook Content of Microelectronic Circuits 5th Edition Scribd

- Distinguishing Credible Sources
13. Promoting Lifelong Learning
    - Utilizing eBooks for Skill Development
    - Exploring Educational eBooks
  14. Embracing eBook Trends
    - Integration of Multimedia Elements
    - Interactive and Gamified eBooks

### **Microelectronic Circuits 5th Edition Scribd Introduction**

In the digital age, access to information has become easier than ever before. The ability to download Microelectronic Circuits 5th Edition Scribd has revolutionized the way we consume written content. Whether you are a student looking for course material, an avid reader searching for your next favorite book, or a professional seeking research papers, the option to download Microelectronic Circuits 5th Edition Scribd has opened up a world of possibilities. Downloading Microelectronic Circuits 5th Edition Scribd provides numerous advantages over physical copies of books and documents. Firstly, it is incredibly convenient. Gone are the days of carrying around heavy textbooks or bulky folders filled with papers. With the click of a button, you can gain immediate access to valuable resources on any device. This convenience allows for efficient studying, researching, and reading on the go. Moreover, the cost-effective nature of downloading Microelectronic Circuits 5th Edition Scribd has democratized knowledge. Traditional books and academic journals can be expensive, making it difficult for individuals with limited financial resources to access information. By offering free PDF downloads, publishers and authors are enabling a wider audience to benefit from their work. This inclusivity promotes equal opportunities for learning and personal growth. There are numerous websites and platforms where individuals can download Microelectronic Circuits 5th Edition Scribd. These websites range from academic databases offering research papers and journals to online libraries with an expansive collection of books from various genres. Many authors and publishers also upload their work to specific websites, granting readers access to their content without any charge. These platforms not only provide access to existing literature but also serve as an excellent platform for undiscovered authors to share their work with the world. However, it is essential to be cautious while downloading Microelectronic Circuits 5th Edition Scribd. Some websites may offer pirated or illegally obtained copies of copyrighted material. Engaging in such activities not only violates copyright laws but also undermines the efforts of authors, publishers, and researchers. To ensure ethical downloading, it is advisable to utilize reputable websites that prioritize the legal distribution of content. When downloading Microelectronic Circuits 5th Edition Scribd, users should also consider the potential security risks associated with online platforms. Malicious actors may exploit

vulnerabilities in unprotected websites to distribute malware or steal personal information. To protect themselves, individuals should ensure their devices have reliable antivirus software installed and validate the legitimacy of the websites they are downloading from. In conclusion, the ability to download Microelectronic Circuits 5th Edition Scribd has transformed the way we access information. With the convenience, cost-effectiveness, and accessibility it offers, free PDF downloads have become a popular choice for students, researchers, and book lovers worldwide. However, it is crucial to engage in ethical downloading practices and prioritize personal security when utilizing online platforms. By doing so, individuals can make the most of the vast array of free PDF resources available and embark on a journey of continuous learning and intellectual growth.

### **FAQs About Microelectronic Circuits 5th Edition Scribd Books**

How do I know which eBook platform is the best for me? Finding the best eBook platform depends on your reading preferences and device compatibility. Research different platforms, read user reviews, and explore their features before making a choice. Are free eBooks of good quality? Yes, many reputable platforms offer high-quality free eBooks, including classics and public domain works. However, make sure to verify the source to ensure the eBook credibility. Can I read eBooks without an eReader? Absolutely! Most eBook platforms offer webbased readers or mobile apps that allow you to read eBooks on your computer, tablet, or smartphone. How do I avoid digital eye strain while reading eBooks? To prevent digital eye strain, take regular breaks, adjust the font size and background color, and ensure proper lighting while reading eBooks. What the advantage of interactive eBooks? Interactive eBooks incorporate multimedia elements, quizzes, and activities, enhancing the reader engagement and providing a more immersive learning experience. Microelectronic Circuits 5th Edition Scribd is one of the best book in our library for free trial. We provide copy of Microelectronic Circuits 5th Edition Scribd in digital format, so the resources that you find are reliable. There are also many Ebooks of related with Microelectronic Circuits 5th Edition Scribd. Where to download Microelectronic Circuits 5th Edition Scribd online for free? Are you looking for Microelectronic Circuits 5th Edition Scribd PDF? This is definitely going to save you time and cash in something you should think about. If you trying to find then search around for online. Without a doubt there are numerous these available and many of them have the freedom. However without doubt you receive whatever you purchase. An alternate way to get ideas is always to check another Microelectronic Circuits 5th Edition Scribd. This method for see exactly what may be included and adopt these ideas to your book. This site will almost certainly help you save time and effort, money and stress. If you are looking for free books then you really should consider finding to assist you try this. Several of Microelectronic Circuits 5th Edition Scribd are for sale to free while some are payable. If you arent sure if the books you would like to

download works with for usage along with your computer, it is possible to download free trials. The free guides make it easy for someone to free access online library for download books to your device. You can get free download on free trial for lots of books categories. Our library is the biggest of these that have literally hundreds of thousands of different products categories represented. You will also see that there are specific sites catered to different product types or categories, brands or niches related with Microelectronic Circuits 5th Edition Scribd. So depending on what exactly you are searching, you will be able to choose e books to suit your own need. Need to access completely for Campbell Biology Seventh Edition book? Access Ebook without any digging. And by having access to our ebook online or by storing it on your computer, you have convenient answers with Microelectronic Circuits 5th Edition Scribd To get started finding Microelectronic Circuits 5th Edition Scribd, you are right to find our website which has a comprehensive collection of books online. Our library is the biggest of these that have literally hundreds of thousands of different products represented. You will also see that there are specific sites catered to different categories or niches related with Microelectronic Circuits 5th Edition Scribd So depending on what exactly you are searching, you will be able to choose ebook to suit your own need. Thank you for reading Microelectronic Circuits 5th Edition Scribd. Maybe you have knowledge that, people have search numerous times for their favorite readings like this Microelectronic Circuits 5th Edition Scribd, but end up in harmful downloads. Rather than reading a good book with a cup of coffee in the afternoon, instead they juggled with some harmful bugs inside their laptop. Microelectronic Circuits 5th Edition Scribd is available in our book collection an online access to it is set as public so you can download it instantly. Our digital library spans in multiple locations, allowing you to get the most less latency time to download any of our books like this one. Merely said, Microelectronic Circuits 5th Edition Scribd is universally compatible with any devices to read.

### **Find Microelectronic Circuits 5th Edition Scribd :**

~~for creators 47-2669 home organization tutorial for startups 47-1144~~

~~YouTube growth tips for small business 47-2037 YouTube growth tips for~~

**marketing examples United States 47-1530 content marketing explained USA**

**47-1169 real estate investing apps for small business 47-1746 real**

**trends USA 47-407 AI tools trends USA 47-692 AI tools trends for**

~~business ideas explained for creators 47-733 small business ideas~~

**47-2267 YouTube growth examples for entrepreneurs 47-2654 YouTube growth**

~~comparison for small business 47-632 blog monetization comparison for~~

**States 47-2720 YouTube growth apps for creators 47-267 YouTube growth**

**for small business 47-1678 online business case study America 47-184**

*United States 47-253 weight loss best practices United States 47-2772*

*America 47-1738 budget travel best practices for small business 47-38*

*organization roadmap for startups 47-999 home organization software USA*

*computing best practices for startups 47-1763 cloud computing blueprint*

**remote work trends America 47-827 remote work tutorial United States**

**Microelectronic Circuits 5th Edition Scribd :**

**map prep grade 6 mathematics queue workbooks book** - Aug 14 2023

web this sixth grade math workbook includes order of operations ratios and proportions prime factorization including factor trees and ladder diagrams fractions decimals and

**map prep grade 6 mathematics queue workbooks** - Nov 24 2021

web map prep grade 6 mathematics queue workbooks map scale practice worksheets real life and distance seventh grade math worksheets math blaster a click math

**sixth grade grade 6 map components questions helpteaching** - May 31 2022

web nov 12 2022 read pdf map prep grade 6 mathematics queue workbooks singapore math practice level 5b grade 6 rise shine map prep grade 3 mathematics

*map prep grade 6 mathematics queue workbooks copy* - Jan 27 2022

web map prep grade 6 mathematics queue workbooks ixl grade 6 math practice april 30th 2018 practise math online with unlimited questions in more than 200 grade 6 math

map prep grade 6 mathematics queue workbooks - Sep 22 2021

*map prep grade 6 mathematics queue workbooks* - Oct 04 2022

web may 29 2023 retrieve this map prep grade 6 mathematics queue workbooks after acquiring offer eventually you will categorically discover a supplementary experience

**map prep grade 6 mathematics queue workbooks** - Oct 24 2021

**map prep grade 6 mathematics queue workbooks** - Sep 03 2022

web may 30 2023 map prep grade 6 mathematics queue workbooks 1 5 downloaded from uniport edu ng on may 30 2023 by guest map prep grade 6 mathematics queue

**map 6th grade math practice tests varsity tutors** - Jun 12 2023

web grade 6 mathematics engageny 6th grade map test info free practice testprep online sixth grade math worksheets free printable k5 learning map skills grade

**map prep grade 6 mathematics queue workbooks** - Apr 29 2022

web aug 16 2023 april 5th 2018 workbooks telling time math and english worksheets for grade 6 a mind map grade 6 english kwiznet math meap preparation grade 6

*map prep grade 6 mathematics queue workbooks full pdf* - Apr 10 2023

web prep for map online ixl grade 6 maths practice spectrum teacher and homeschool supplies carson dellosa map prep grade 6 mathematics queue workbooks

**map prep grade 6 mathematics queue workbooks pdf full pdf** - Nov 05 2022

web jun 27 2023 map prep grade 6 mathematics queue workbooks alternatively than delighting a excellent publication with a cup of infusion in the night instead they are

[map prep grade 6 mathematics queue workbooks 2023](#) - Jan 07 2023

web map prep grade 6 mathematics queue workbooks pdf is nearby in our digital library an online right of entry to it is set as public suitably you can download it instantly

[map prep grade 6 mathematics queue workbooks pdf](#) - May 11 2023

web map prep grade 6 mathematics queue workbooks comparing the communication arts and math map scores from sixth grade students in both k 8 and 6 8 schools

**map prep grade 6 mathematics queue workbooks** - Aug 02 2022

web how much rainfall an area receives the average temperature of an area in summer how cold an area gets in winter all of the above grade 6 map components physical maps

*map prep grade 6 mathematics queue workbooks copy* - Jul 01 2022

web jun 19 2023 map prep grade 6 mathematics queue workbooks map prep grade 6 mathematics queue workbooks common core worksheets lumos learning map

**map prep grade 6 mathematics queue workbooks** - Dec 26 2021

web common core worksheets lumos learning map prep grade 6 mathematics queue workbooks document ixl grade 6 maths practice seventh grade math worksheets

*map prep grade 6 mathematics queue workbooks* - Feb 08 2023

web mar 25 2023 mathematics rise and shine teks prep grade 5 mathematics forecasting oracle performance rise shine mca iii prep grade 6 mathematics

[6th grade map math free sample practice questions](#) - Mar 09 2023

web feb 28 2023 around its applications as around its mathematical aspects with the refine ment of some clever mathematical tricks it became clear that exact solutions could be

**6th grade map math worksheets free printable** - Jul 13 2023

web take one of our many map 6th grade math practice tests for a run through of commonly asked questions you will receive incredibly detailed scoring results at the end of your

**map prep grade 6 mathematics queue workbooks** - Mar 29 2022

web 2 map prep grade 6 mathematics queue workbooks 2021 01 18 get an a 4 powerful tips from a math teacher book trailer 5 staar grade 6 math practice tests extra

**map prep grade 6 mathematics queue workbooks** - Feb 25 2022

web map prep grade 6 mathematics queue workbooks printable grade 6 math worksheets based on the singapore may 2nd 2018 grade 6 math worksheets that are suited for

**bookmark file map prep grade 6 mathematics queue** - Dec 06 2022

web jun 8 2023 workbooks telling time math and english worksheets for grade 6 a mind map grade 6 english kwiznet math meap preparation grade 6 mathematics practise

[nadoli galaxy a50 hülle lustig katze muster pu leder](#) - Sep 21 2023

web galaxy a50 smartphone notebookcheck tests hülle für samsung galaxy a50 cover real gröÙe samsung galaxy a50 farbe lustig katze spezifikation hauptmaterial pu leder tpu farbe als bild gezeigt merkmal 1 es wird ihrem handy einen besonderen und modischen look geben es ist langlebig und kann gut gegen staub kratzer 2

*nadoli galaxy a50 hulle lustig katze muster pu le full pdf sql* - Dec 12 2022

web nadoli galaxy a50 hulle lustig katze muster pu le 1 nadoli galaxy a50 hulle lustig katze muster pu le nadoli galaxy a50 hulle lustig katze muster pu le downloaded from sql gocohospitality com by guest raiden hope best sellers books the going to bed book hunting adeline cat and mouse duet by h d carlton the five star

**nadoli galaxy a50 hulle lustig katze muster pu le pdf mail** - Jan 13 2023

web nadoli galaxy a50 hulle lustig katze muster pu le 1 nadoli galaxy a50 hulle lustig katze muster pu le downloaded from mail thekingiscoming com by guest hernandez alvaro a c black this book aims to provide language teachers and trainers with a guide in both practical and pedagogical terms

**nadoli galaxy a50 hulle lustig katze muster pu le download** - Nov 11 2022

web right here we have countless ebook nadoli galaxy a50 hulle lustig katze muster pu le and collections to check out we additionally present variant types and also type of the books to browse

*nadoli galaxy a50 hülle lustig katze muster pu leder* - Aug 08 2022

web nadoli galaxy a50 hülle lustig katze muster pu leder magnetisch flip brieftasche mit handschlaufe kartenslot ständer klapphülle für samsung galaxy a50 by nadoli galaxy a50 hüllen aus leder oder fabrikneue samsung galaxy a50 hardcases softcases bookcase und mehr bei uns findest du für jeden geschmack die richtige verpackung das

*nadoli galaxy a50 hulle lustig katze muster pu le pdf* - Jun 18 2023

web jun 15 2023 install the nadoli galaxy a50 hulle lustig katze muster pu le it is definitely simple then before currently we extend the join to buy and make bargains to download and install nadoli galaxy a50 hulle lustig katze muster pu le therefore simple

**nadoli galaxy a50 hulle lustig katze muster pu le copy** - Jun 06 2022

web nadoli galaxy a50 hulle lustig katze muster pu le recognizing the pretentiousness ways to get this book nadoli galaxy a50 hulle lustig katze muster pu le is additionally useful you have remained in right site to start getting this info get the nadoli galaxy a50 hulle lustig katze muster pu le colleague that we offer here and check out the

[nadoli galaxy a50 hulle lustig katze muster pu le pdf](#) - Apr 16 2023

web jul 6 2023 download and install the nadoli galaxy a50 hulle lustig katze muster pu le it is very simple then past currently we extend the associate to purchase and make bargains to download and install nadoli galaxy a50 hulle lustig katze muster pu le

**nadoli galaxy a50 hulle lustig katze muster pu le book** - Mar 15 2023

web oct 8 2023 nadoli galaxy a50 hulle lustig katze muster pu le title nadoli galaxy a50 hulle lustig katze muster pu le book interactivearchivist archivists org subject nadoli galaxy a50 hulle lustig katze muster pu le book created date 10 8 2023 10 00 11 pm

**review nadodi s nostalgia menu offers fresh yet familiar south** - Apr 04 2022

web nadodi needs no introduction to avid gourmands in malaysia and across the region having earned a spot on asia s 50 best restaurants 51 100 list from 2021 to 2023 the restaurant is esteemed for its refined south indian cuisine that draws culinary influences from kerala tamil nadu and sri lanka

**nadoli galaxy a50 hülle lustig katze muster pu leder** - Oct 22 2023

web nadoli galaxy a50 hülle lustig katze muster pu leder magnetisch flip brieftasche mit handschlaufe kartenslot ständer klapphülle für samsung galaxy a50 by nadoli samsung galaxy a50 im test die spitzenklasse der hüllen folien amp mehr für das samsung galaxy a50 mumbi shop

**nadoli galaxy a50 hulle lustig katze muster pu le pdf** - Oct 10 2022

web getting the books nadoli galaxy a50 hulle lustig katze muster pu le now is not type of inspiring means you could not and

no one else going similar to ebook amassing or library or borrowing from your connections to entrance them this is an extremely simple means to specifically get lead by on line this online notice nadoli galaxy a50 hulle

*nadoli galaxy a50 hulle lustig katze muster pu le 2023* - Aug 20 2023

web nadoli galaxy a50 hulle lustig katze muster pu le the adventures of the little polar bear hans de beer 2018 02 06 celebrate the little polar bear s 30th anniversary in this collection of 10 favorite little polar bear stories from hippos to reindeer to whales and husky pups lars the little polar bear is great at meeting new friends this

*nadoli galaxy a50 hulle lustig katze muster pu le pdf free* - Feb 14 2023

web nadoli galaxy a50 hulle lustig katze muster pu le pdf introduction nadoli galaxy a50 hulle lustig katze muster pu le pdf free the adventures of the little polar bear hans de beer 2018 02 06 celebrate the little polar bear s 30th anniversary in this collection of 10 favorite little polar bear stories

download free nadoli galaxy a50 hulle lustig katze muster pu le - May 17 2023

web nadoli galaxy a50 hulle lustig katze muster pu le degree gradation of verbs oct 06 2022 gradation is usually considered to be a property of adjectives examples like the boy loves his mother very much and the boy has grown a lot reveal that gradation is not limited to adjectives but verbs are gradable too

**samsung galaxy a50 review in nepali youtube** - Jul 07 2022

web get information about the samsung galaxy a5 specs features display cameras benchmarks battery charging test gaming review design price in this review of the samsung galaxy a50 for

**nadoli contact** - May 05 2022

web feel free to send me a note if you have something to ask or just a comment

**galaxy a50 samsung support australia** - Mar 03 2022

web galaxy a50 solutions tips download user manual contact us samsung support australia

**nadoli galaxy a50 hulle lustig katze muster pu le pdf pdf** - Jul 19 2023

web nadoli galaxy a50 hulle lustig katze muster pu le pdf pdf bukuclone ortax org created date 9 18 2023 10 11 37 pm

*nadoli galaxy a50 hulle lustig katze muster pu le pdf* - Sep 09 2022

web mar 30 2023 nadoli galaxy a50 hulle lustig katze muster pu le thank you definitely much for downloading nadoli galaxy a50 hulle lustig katze muster pu le most likely you have knowledge that people have see numerous time for their favorite books in the same way as this nadoli galaxy a50 hulle lustig katze muster pu le but end in the works in

herzlich willkommen bei radio benjamin - May 11 2023

web radio benjamin könnt ihr über laut fm hören oder über radio de aktuelle nachrichten für kids von kids kindgerechte nachrichten kindgerechte nachrichten altersgerecht und

**benjamin ne demek ileilgili org** - Sep 22 2021

web 1 day ago 2 boys 1 stream directed by benjamin daniel manuel ferrara with benjamin daniel manuel ferrara

*benjamin fiyatları ve modelleri trendyol* - Nov 05 2022

web radyo benjamin Şu lafi sık sık duymuşsunuzdur tanrım bizim gençliğimizde bu kadar iyi imkanlar yoktu biz o zamanlar derslerden kaç alacağız diye korkardık sahilde yalın

*radio benjamin review walter benjamin s conversations with* - Sep 03 2022

web oct 23 2014 radio benjamin edited by lecia rosentha book review a new voice graces the airwaves walter benjamin s work for radio finds the german thinker in beguiling form

**radio benjamin edited by lecia rosentha book review a new** - Aug 02 2022

web jan 10 2015 guideline price 20 walter benjamin compering the late late toy show improbable well this is the german cultural theorist in march 1930 taking his youthful

**ben bilirim tv4** - Oct 24 2021

web benjamin of tudella ortaçağ musevi seyyah ve yazar book of travels seyahatler kitabı yazarı benjamin of tudela benjamin rothschild avrupalı bir musevi bankacı ve

*tv tonight following larger than life twins in another great* - Jul 21 2021

web 16 hours ago september 14 2023 at 9 10 am pdt elon musk plans to meet israeli prime minister benjamin netanyahu next week in silicon valley as the world s richest man

**radio benjamin live now tate** - Aug 14 2023

web download radio benjamin live now mp3 17 2 mb about about walter benjamin 1892 1940 is best known for his pioneering work on technology culture and art making

radiobenjamin von laut fm radio benjamin kinderradio - Feb 08 2023

web oct 28 2014 from 1927 to 33 he wrote and presented something in the region of eighty broadcasts using the new medium of radio radio benjamin gathers the surviving

radio benjamin springerlink - Mar 29 2022

web international music karışık müzik türkçe yabancı türkçe müzik happy birthday fanatik

*review radio benjamin edited by lecia rosenthal* - Jul 01 2022

web joy fm canlı radyo dinle joy fm İstanbul 100 6 İstanbul ankara İzmir it s a sin pet shop boys

**radyo benjamin genel metis yayınları walter benjamin arkadaş** - Dec 06 2022

web ev ve iş yeri dekorasyonunun yanı sıra büyük odalar koridorlar konaklama yerlerinin girişleri ve kapalı teraslar için tercih edilen bir bitkidir benjamin fiyatları türlerine göre

[radio libre pegi 18 2 boys 1 stream tv episode 2023 imdb](#) - Aug 22 2021

web sep 12 2023 this peculiar semi structured documentary from italian director valentina bertani follows two identical twins benjamin and joshua israel after finishing school

**power fm en İyi en yeni müzik** - Feb 25 2022

web hakkımızda 1990 yılından itibaren türkiye ve dünya pazarında olan benjamin bünyesinde uydu sistemleri sektöründe ticari faaliyetlerini sürdürmektedir

[joy fm canlı radyo dinle joy fm](#) - May 31 2022

web may 28 2015 between 1927 33 benjamin wrote and delivered some 90 broadcasts for the new medium of german radio working for both radio berlin and radio frankfurt in

[radio benjamin live now tate modern](#) - Jul 13 2023

web walter benjamin 1892 1940 is best known for his pioneering work on technology culture and art making enduring contributions to aesthetic theory and western marxism it is

[musk meets netanyahu next week amid antisemitism controversy](#) - Jun 19 2021

**listen to radio benjamin zeno fm** - Apr 10 2023

web listen to radio benjamin for the best news talk radio listen live catch up on old episodes and keep up to date with announcements

**radio benjamin walter benjamin google books** - Jan 07 2023

web radyo benjamin genel Şu lafı sık sık duymuşsunuzdur tanrım bizim gençliğimizde bu kadar iyi imkanlar yoktu biz o zamanlar derslerden kaç alacağız diye korkardık sahilde

**loading interface goodreads** - Nov 24 2021

web ben bilirim diyenlerin yarışması tv4 ekranlarında 6698 sayılı kişisel verilerin korunması kanunu uyarınca hazırlanan aydınlatma metnimizi okumak buraya mevzuata uygun

**radio benjamin by walter benjamin financial times** - Jun 12 2023

web oct 31 2014 the last time benjamin was heard on german radio was on january 29 1933 the following day hitler became chancellor and a nazi torchlight parade was the

**radyo benjamin satın al İstanbul kitapçısı** - Oct 04 2022

web dec 29 2014 radio benjamin review walter benjamin s conversations with strangers in voice land books the guardian walter benjamin who welcomed radio as a

**benjamin benjamin com tr** - Jan 27 2022

web türkiye nin en büyük radyo grubu olan karnaval medya grup bünyesindeki 5 karasal ve onlarca dijital radyodan biri olan süper fm geniş karasal yayın ağı ile türkiye nin bir çok radyo benjamin k24 - Mar 09 2023

web radio benjamin kinderradio hallo wir sind radiobenjamin ein tolles kinder und familienradio in sender deutschland du bist zuhören und zuhörer wir schließen das

*karnaval com süper fm sınırsız hit müzik* - Dec 26 2021

web discover and share books you love on goodreads

*radio benjamin reviewed by mike wayne marx philosophy* - Apr 29 2022

web oct 6 2015 radio benjamin is an immensely helpful volume to introduce walter benjamin s many radio broadcasts to an english speaking audience although many of