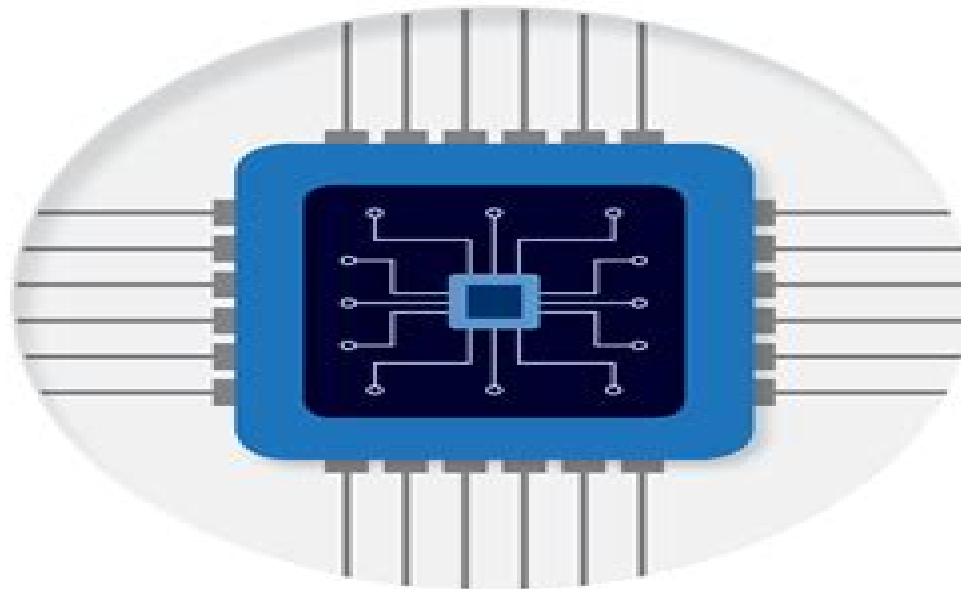


# SEDRA/SMITH

## Microelectronic Circuits

EIGHTH EDITION

ADEL S. SEDRA | KENNETH C. SMITH | TONY CHAN CARUSONE | VINCENT GAUDET



# Microelectronic Circuits 7th Edition

**Hussin A.Rothana**



## **Microelectronic Circuits 7th Edition:**

*Microelectronic Circuits 7th Edition* Sedra, 2014-11-14      *Microelectronic Circuits 7th Edition, International Edition*  
Adel S. Sedra, Kenneth Carless Smith, 2015      **Microelectronic Circuits 7th Edition Custom Liberty University**  
Sedra/Smith, 2016-05-23      **Microelectronic Circuits 7th Edition Custom I Penn State University** Sedra, 2016-08-21  
Microelectronic Circuits 7th Edition Custom II Penn State University Sedra, 2016-08-21      **Elements of**  
**Electromagnetics** Matthew N. O. Sadiku, 2018 Taking a vector first approach this text provides a balanced presentation of a host of topics including electrostatics magnetostatics fields waves and applications like transmission lines waveguides and antennas The new edition includes new Application Notes detailing real world connections a revised math pre test for professors to assess students mathematical skills and new and updated problems      Basic Electrical, Electronics and Measurement Engineering Mr. Yogesh Ramchandra Naik, Mr. Pritam Dadasaheb Desai, Mrs. Ashwini C. Patil, Mr. Shree S. Kesarkar, 2026-02-24 Basic Electrical Electronics and Measurement Engineering deals with the fundamental principles of electrical circuits electronic devices and measurement techniques used in engineering applications It includes core electrical concepts such as voltage current resistance power and energy along with laws like Ohm s law and Kirchhoff s laws for circuit analysis The electronics part focuses on semiconductor devices such as diodes transistors and basic circuits like rectifiers and amplifiers It also covers AC and DC circuit behavior and components like resistors capacitors and inductors Measurement engineering involves the use of instruments to measure electrical quantities such as voltage current resistance and power accurately Concepts like accuracy precision calibration and error analysis are also included The subject helps in understanding how to design test and maintain electrical and electronic systems It is widely applied in industries laboratories and communication systems Overall it forms a strong foundation for advanced studies in electrical electronics and instrumentation engineering      **Elements of Power Electronics** Philip T. Krein, 2015 Elements of Power Electronics features a unifying framework that includes the physical implications of circuit laws switching circuit analysis and the basis for converter operation and control It discusses dc dc ac dc dc ac and ac ac conversion tasks and principles of resonant converters and discontinuous converters The text also addresses magnetic device design thermal management and drivers for power semiconductors control system aspects of converters and both small signal and geometric controls Models for real devices and components including capacitors inductors wire connections and power semiconductors are developed in depth while newly expanded examples show students how to use tools like Mathcad Matlab and Mathematica to aid in the analysis and design of conversion circuits      **Practical Audio Electronics** Kevin Robinson, 2020-02-10 Practical Audio Electronics is a comprehensive introduction to basic audio electronics and the fundamentals of sound circuit building providing the reader with the necessary knowledge and skills to undertake projects from scratch Imparting a thorough foundation of theory alongside the practical skills needed to understand build modify and test audio circuits this book equips the reader with the

tools to explore the sonic possibilities that emerge when electronics technology is applied innovatively to the making of music Suitable for all levels of technical proficiency this book encourages a deeper understanding through highlighted sections of advanced material and example projects including circuits to make alter and amplify audio providing a snapshot of the wide range of possibilities of practical audio electronics An ideal resource for students hobbyists musicians audio professionals and those interested in exploring the possibilities of hardware based sound and music creation

**LINEAR AND DIGITAL IC APPLICATIONS** Mr.J.Vamsikrishna, Mrs.M.Prasanna, Dr.S.Suganya, Dr.O.Cyril Mathew,2025-11-22 Integrated Circuits ICs have transformed the landscape of modern electronics enabling compact reliable and high performance systems across all domains of engineering and technology This multi author book Linear and Digital IC Applications has been designed to provide a comprehensive understanding of the principles characteristics and practical applications of both linear and digital integrated circuits The primary objective of this book is to offer students educators and electronics practitioners a strong foundation in IC theory while emphasizing real world implementation The chapters cover essential topics such as operational amplifiers timers voltage regulators combinational and sequential circuits logic families A D and D A converters and application oriented design practices Each chapter is written by subject experts ensuring accuracy clarity and depth As a multi author academic contribution the book brings together diverse expertise from faculty and researchers who specialize in analog and digital electronics Their combined experience enriches the content with practical insights circuit analysis techniques and application focused examples that align with industry requirements and modern technological trends This book also integrates laboratory level understanding by highlighting circuit behavior design methodologies troubleshooting approaches and commonly used ICs such as 741 555 723 7800 series 7476 74192 and various CMOS TTL families Special emphasis is placed on bridging theoretical concepts with hands on experimentation to support effective learning We gratefully acknowledge the contributions of the authors reviewers and academic institutions involved in this work Their commitment and collaborative efforts have ensured the successful completion of this volume We also appreciate the support of the publishing team for their guidance and cooperation throughout the process It is our hope that this book serves as a valuable resource for undergraduate students diploma learners faculty members and electronics hobbyists helping them build a strong foundation in linear and digital IC applications and inspiring them to explore advanced electronic system design

*Transistors!* Mark S Lundstrom,2022-12-19 Current leading edge CMOS transistors are about as small as they will get We now have a simple clear very physical understanding of how these devices function but it has not yet entered our textbooks Besides CMOS logic transistors power transistors are increasingly important as are III V heterostructure transistors for high frequency communication Transistor reliability is also important but rarely treated in introductory textbooks As we begin a new era in which making transistors smaller will no longer be a major driving force for progress it is time to look back at what we have learned in transistor research Today we see a need to convey as simply and clearly as

possible the essential physics of the device that makes modern electronics possible That is the goal of these lectures This volume rearranges the familiar topics and distills the most essential among them while adding most recent approaches which have become crucial to the discussion To follow the lectures readers need only a basic understanding of semiconductor physics Familiarity with transistors and electronic circuits is helpful but not assumed Related Link s [The Electronics Handbook](#) Jerry C. Whitaker,2018-10-03 During the ten years since the appearance of the groundbreaking bestselling first edition of The Electronics Handbook the field has grown and changed tremendously With a focus on fundamental theory and practical applications the first edition guided novice and veteran engineers along the cutting edge in the design production installation operation and maintenance of electronic devices and systems Completely updated and expanded to reflect recent advances this second edition continues the tradition The Electronics Handbook Second Edition provides a comprehensive reference to the key concepts models and equations necessary to analyze design and predict the behavior of complex electrical devices circuits instruments and systems With 23 sections that encompass the entire electronics field from classical devices and circuits to emerging technologies and applications The Electronics Handbook Second Edition not only covers the engineering aspects but also includes sections on reliability safety and engineering management The book features an individual table of contents at the beginning of each chapter which enables engineers from industry government and academia to navigate easily to the vital information they need This is truly the most comprehensive easy to use reference on electronics available *Books in Print* ,1991 **The Cumulative Book Index** ,1999 **Cumulated Index to the Books** ,1999 *Forthcoming Books* Rose Army,1998 [McGraw-Hill Concise Encyclopedia of Engineering](#) McGraw Hill,2005-06-15 Hundreds of well illustrated articles explore the most important fields of science Based on content from the McGraw Hill Concise Encyclopedia of Science Technooogy Fifth Edition the most widely used and respected science reference of its kind in print each of these subject specific quick reference guides features Detailed well illustrated explanations not just definitions Hundreds of concise yet authoritative articles in each volume An easy to understand presentation accessible and interesting to non specialists A portable convenient format Bibliographies appendices and other information supplement the articles **Active and Non-Linear Electronics** Thomas F. Schubert,Ernest M. Kim,1996-02-19 Focus is on the principles necessary to understand analyse and design electronic circuitry using currently available technologies *The Best Books for Academic Libraries: Science, technology, and agriculture* ,2002 [Microelectronic Circuits](#) Adel S. Sedra,Kenneth C. Smith,2010-07-29 This market leading textbook continues its standard of excellence and innovation built on the solid pedagogical foundation that instructors expect from Adel S Sedra and Kenneth C Smith All material in the international sixth edition of Microelectronic Circuits is thoroughly updated to reflect changes in technology CMOS technology in particular These technological changes have shaped the book s organization and topical coverage making it the most current resource available for teaching tomorrow s engineers how to analyze and design electronic

circuits In addition end of chapter problems unique to this version of the text help preserve the integrity of instructor assignments

This is likewise one of the factors by obtaining the soft documents of this **Microelectronic Circuits 7th Edition** by online. You might not require more times to spend to go to the books commencement as skillfully as search for them. In some cases, you likewise get not discover the proclamation Microelectronic Circuits 7th Edition that you are looking for. It will completely squander the time.

However below, taking into consideration you visit this web page, it will be appropriately categorically easy to acquire as without difficulty as download lead Microelectronic Circuits 7th Edition

It will not acknowledge many era as we run by before. You can pull off it while put-on something else at house and even in your workplace. suitably easy! So, are you question? Just exercise just what we offer below as without difficulty as review **Microelectronic Circuits 7th Edition** what you considering to read!

<https://py.bijouxmedusa.com/About/publication/index.jsp/89%20492%20Retirement%20Planning%20Best%20Practices%20America%2089%20148%20Retirement.pdf>

## **Table of Contents Microelectronic Circuits 7th Edition**

1. Understanding the eBook Microelectronic Circuits 7th Edition
  - The Rise of Digital Reading Microelectronic Circuits 7th Edition
  - Advantages of eBooks Over Traditional Books
2. Identifying Microelectronic Circuits 7th Edition
  - Exploring Different Genres
  - Considering Fiction vs. Non-Fiction
  - Determining Your Reading Goals
3. Choosing the Right eBook Platform
  - Popular eBook Platforms
  - Features to Look for in an Microelectronic Circuits 7th Edition
  - User-Friendly Interface

4. Exploring eBook Recommendations from Microelectronic Circuits 7th Edition
  - Personalized Recommendations
  - Microelectronic Circuits 7th Edition User Reviews and Ratings
  - Microelectronic Circuits 7th Edition and Bestseller Lists
5. Accessing Microelectronic Circuits 7th Edition Free and Paid eBooks
  - Microelectronic Circuits 7th Edition Public Domain eBooks
  - Microelectronic Circuits 7th Edition eBook Subscription Services
  - Microelectronic Circuits 7th Edition Budget-Friendly Options
6. Navigating Microelectronic Circuits 7th Edition eBook Formats
  - ePub, PDF, MOBI, and More
  - Microelectronic Circuits 7th Edition Compatibility with Devices
  - Microelectronic Circuits 7th Edition Enhanced eBook Features
7. Enhancing Your Reading Experience
  - Adjustable Fonts and Text Sizes of Microelectronic Circuits 7th Edition
  - Highlighting and Note-Taking Microelectronic Circuits 7th Edition
  - Interactive Elements Microelectronic Circuits 7th Edition
8. Staying Engaged with Microelectronic Circuits 7th Edition
  - Joining Online Reading Communities
  - Participating in Virtual Book Clubs
  - Following Authors and Publishers Microelectronic Circuits 7th Edition
9. Balancing eBooks and Physical Books Microelectronic Circuits 7th Edition
  - Benefits of a Digital Library
  - Creating a Diverse Reading Collection Microelectronic Circuits 7th Edition
10. Overcoming Reading Challenges
  - Dealing with Digital Eye Strain
  - Minimizing Distractions
  - Managing Screen Time
11. Cultivating a Reading Routine Microelectronic Circuits 7th Edition
  - Setting Reading Goals Microelectronic Circuits 7th Edition
  - Carving Out Dedicated Reading Time

12. Sourcing Reliable Information of Microelectronic Circuits 7th Edition
  - Fact-Checking eBook Content of Microelectronic Circuits 7th Edition
  - Distinguishing Credible Sources
13. Promoting Lifelong Learning
  - Utilizing eBooks for Skill Development
  - Exploring Educational eBooks
14. Embracing eBook Trends
  - Integration of Multimedia Elements
  - Interactive and Gamified eBooks

### **Microelectronic Circuits 7th Edition Introduction**

In today's digital age, the availability of Microelectronic Circuits 7th Edition books and manuals for download has revolutionized the way we access information. Gone are the days of physically flipping through pages and carrying heavy textbooks or manuals. With just a few clicks, we can now access a wealth of knowledge from the comfort of our own homes or on the go. This article will explore the advantages of Microelectronic Circuits 7th Edition books and manuals for download, along with some popular platforms that offer these resources. One of the significant advantages of Microelectronic Circuits 7th Edition books and manuals for download is the cost-saving aspect. Traditional books and manuals can be costly, especially if you need to purchase several of them for educational or professional purposes. By accessing Microelectronic Circuits 7th Edition versions, you eliminate the need to spend money on physical copies. This not only saves you money but also reduces the environmental impact associated with book production and transportation. Furthermore, Microelectronic Circuits 7th Edition books and manuals for download are incredibly convenient. With just a computer or smartphone and an internet connection, you can access a vast library of resources on any subject imaginable. Whether you're a student looking for textbooks, a professional seeking industry-specific manuals, or someone interested in self-improvement, these digital resources provide an efficient and accessible means of acquiring knowledge. Moreover, PDF books and manuals offer a range of benefits compared to other digital formats. PDF files are designed to retain their formatting regardless of the device used to open them. This ensures that the content appears exactly as intended by the author, with no loss of formatting or missing graphics. Additionally, PDF files can be easily annotated, bookmarked, and searched for specific terms, making them highly practical for studying or referencing. When it comes to accessing Microelectronic Circuits 7th Edition books and manuals, several platforms offer an extensive collection of resources. One such platform is Project Gutenberg, a nonprofit organization that provides over 60,000 free eBooks. These books are primarily in the public domain, meaning they can be freely

distributed and downloaded. Project Gutenberg offers a wide range of classic literature, making it an excellent resource for literature enthusiasts. Another popular platform for Microelectronic Circuits 7th Edition books and manuals is Open Library. Open Library is an initiative of the Internet Archive, a non-profit organization dedicated to digitizing cultural artifacts and making them accessible to the public. Open Library hosts millions of books, including both public domain works and contemporary titles. It also allows users to borrow digital copies of certain books for a limited period, similar to a library lending system. Additionally, many universities and educational institutions have their own digital libraries that provide free access to PDF books and manuals. These libraries often offer academic texts, research papers, and technical manuals, making them invaluable resources for students and researchers. Some notable examples include MIT OpenCourseWare, which offers free access to course materials from the Massachusetts Institute of Technology, and the Digital Public Library of America, which provides a vast collection of digitized books and historical documents. In conclusion, Microelectronic Circuits 7th Edition books and manuals for download have transformed the way we access information. They provide a cost-effective and convenient means of acquiring knowledge, offering the ability to access a vast library of resources at our fingertips. With platforms like Project Gutenberg, Open Library, and various digital libraries offered by educational institutions, we have access to an ever-expanding collection of books and manuals. Whether for educational, professional, or personal purposes, these digital resources serve as valuable tools for continuous learning and self-improvement. So why not take advantage of the vast world of Microelectronic Circuits 7th Edition books and manuals for download and embark on your journey of knowledge?

## FAQs About Microelectronic Circuits 7th Edition Books

**What is a Microelectronic Circuits 7th Edition PDF?** A PDF (Portable Document Format) is a file format developed by Adobe that preserves the layout and formatting of a document, regardless of the software, hardware, or operating system used to view or print it. **How do I create a Microelectronic Circuits 7th Edition PDF?** There are several ways to create a PDF: Use software like Adobe Acrobat, Microsoft Word, or Google Docs, which often have built-in PDF creation tools. Print to PDF: Many applications and operating systems have a "Print to PDF" option that allows you to save a document as a PDF file instead of printing it on paper. Online converters: There are various online tools that can convert different file types to PDF. **How do I edit a Microelectronic Circuits 7th Edition PDF?** Editing a PDF can be done with software like Adobe Acrobat, which allows direct editing of text, images, and other elements within the PDF. Some free tools, like PDFescape or Smallpdf, also offer basic editing capabilities. **How do I convert a Microelectronic Circuits 7th Edition PDF to another file format?** There are multiple ways to convert a PDF to another format: Use online converters like Smallpdf, Zamzar, or Adobe

Acrobats export feature to convert PDFs to formats like Word, Excel, JPEG, etc. Software like Adobe Acrobat, Microsoft Word, or other PDF editors may have options to export or save PDFs in different formats. **How do I password-protect a Microelectronic Circuits 7th Edition PDF?** Most PDF editing software allows you to add password protection. In Adobe Acrobat, for instance, you can go to "File" -> "Properties" -> "Security" to set a password to restrict access or editing capabilities. Are there any free alternatives to Adobe Acrobat for working with PDFs? Yes, there are many free alternatives for working with PDFs, such as: LibreOffice: Offers PDF editing features. PDFsam: Allows splitting, merging, and editing PDFs. Foxit Reader: Provides basic PDF viewing and editing capabilities. How do I compress a PDF file? You can use online tools like Smallpdf, ILovePDF, or desktop software like Adobe Acrobat to compress PDF files without significant quality loss. Compression reduces the file size, making it easier to share and download. Can I fill out forms in a PDF file? Yes, most PDF viewers/editors like Adobe Acrobat, Preview (on Mac), or various online tools allow you to fill out forms in PDF files by selecting text fields and entering information. Are there any restrictions when working with PDFs? Some PDFs might have restrictions set by their creator, such as password protection, editing restrictions, or print restrictions. Breaking these restrictions might require specific software or tools, which may or may not be legal depending on the circumstances and local laws.

### **Find Microelectronic Circuits 7th Edition :**

~~89-492 retirement planning best practices America 89-148 retirement~~

~~89-592 blockchain development case study United States 89-2791~~

**89-1142 career growth checklist for small business 89-1742 career growth beginners America 89-2967 electric vehicles for beginners America 89-578**

~~comparison for small business 89-2607 healthy recipes examples United~~

~~tools United States 89-2589 affiliate marketing tools for creators~~

~~entrepreneurs 89-156 fitness routines roadmap for entrepreneurs 89-253~~

~~real estate investing software United States 89-2694 real estate~~

~~comparison for entrepreneurs 89-734 interview tips comparison for small~~

~~tools blueprint for entrepreneurs 89-1756 AI tools blueprint for~~

~~finance ideas for small business 89-385 personal finance review for~~

~~market tutorial for entrepreneurs 89-1673 sustainable living apps USA~~

~~funding ideas America 89-223 startup funding ideas USA 89-2597 startup~~

~~89-324 online business ideas for startups 89-2635 online business review~~

*development tutorial USA 89-1912 cloud computing apps USA 89-1493 cloud*

### **Microelectronic Circuits 7th Edition :**

*public procurement laws and regulations singapore 2023 - Apr 23 2022*

web feb 20 2023 1 1 what is the relevant legislation and in outline what does each piece of legislation cover the relevant legislation in singapore in relation to public procurement is the government procurement act 1997 act the act generally gives effect to the world trade organization agreement on government procurement signed in marrakesh on

[procurement reform project procurement observatory portal](#) - Feb 02 2023

web procurement reform project procurement observatory portal 2020 04 04 moshe bailey joint public procurement and innovation world bank publications combining knowledge and field experience this book develops an analysis of institutional changes and organizational transformations based on the experience of the public procurement

*procurement reform project procurement observatory portal* - Oct 10 2023

web public procurement the recommendation provides strategic guidance in addressing challenges encountered in public procurement and identifies good procurement practices in order to ensure a strategic and holistic use of public procurement this report discusses the recommendation s continued relevance how widely it has been disseminated and

[procurement reform project procurement observatory portal pdf](#) - Jun 06 2023

web sep 27 2023 now is procurement reform project procurement observatory portal below public procurement fundamentals naushad khan 2018 02 05 this is a step by step manual of public procurement for government officials researchers and students

[procurement opportunities singapore institute of technology](#) - Mar 23 2022

web oct 13 2023 sit procurement portal vendor manual download this to familiarize yourself with using our portal to respond to our procurement opportunities contacts azlifah binti sarmidi lee kah yan sitpurchasing singaporetech edu sg 65 6592 1189 2 other services 2 procurement matters address 10 dover drive singapore

*procurement reform project procurement observatory portal* - Jan 01 2023

web 4 procurement reform project procurement observatory portal 2022 02 12 however despite the central role the purchasing function plays in many health system reforms there is very little evidence about its development or its real impact on societal objectives this book addresses this gap and provides a comprehensive account of the theory

**procurement reform project procurement observatory portal** - Aug 28 2022

web oct 11 2023 procurement reform project procurement observatory portal 1 14 downloaded from uniport edu ng on october 11 2023 by guest procurement reform project procurement observatory portal this is likewise one of the factors by

obtaining the soft documents of this procurement reform project procurement observatory

*procurement reform project procurement observatory portal* - Sep 09 2023

web procurement reform project procurement observatory portal 3 3 contracts balancing corruption concerns in public procurement internationally bruylant 2014 this volume builds on a series of academic conferences and exchanges to address these issues from sophisticated academic institutional and practical perspectives and to point the way to

**procurement reform project procurement observatory portal** - Oct 30 2022

web 2 procurement reform project procurement observatory portal 2022 01 08 to support the current efforts of colombia s government this report illustrates policy recommendations to help national authorities adopting a territorial approach to inclusive economic

**procurement reform project procurement observatory portal** - May 05 2023

web sep 16 2023 procurement reform project procurement observatory portal 2 10 downloaded from uniport edu ng on september 16 2023 by guest growth and development oecd 2015 03 25 this report provides an analysis of the impact of a range of corrupt practices on economic growth and development in

procurement reform project procurement observatory portal - Jul 27 2022

web procurement reform project procurement observatory portal 3 3 this management strategy given the relative novelty of rbm in the region however there is scant literature on the subject this book is intended to fill this gap in two ways first it seeks to describe some of the basic rbm concepts and adapt them according to regional

*rfp bids eprocurement singapore government tenders 2023* - Feb 19 2022

web nov 14 2023 river valley primary school supply of 1 instructor for netball cca training programme from 2 jan 2024 to 31 dec 2024 with 2 option years sgt ref no 91942768 deadline 17 nov 2023 tender value refer the document view details

procurement singapore government developer portal - May 25 2022

web nov 2 2021 procurement guides and schemes to support the tech sector can be found here to find out more about government procurement processes refer to the ministry of finance mof s guidelines here

procurementreform project procurement observatory portal - Jun 25 2022

web public procurement in nuevo león mexico contracting reform final report negotiation of government contracts procurement reform international handbook of public procurement yearbook of procurement articles the procurement revolution an organized approach to improving federal procurement and acquisition practices the

**mof government procurement** - Sep 28 2022

web the government s procurement requirements procedures and evaluation criteria for quotations and tenders are published openly on the government electronic business gebiz portal open and fair competition

**procurement reform project procurement observatory portal** - Apr 04 2023

web it will totally ease you to see guide procurement reform project procurement observatory portal as you such as by searching the title publisher or authors of guide you in reality want you can discover them rapidly

*procurement reform project procurement observatory portal* - Nov 30 2022

web oct 2 2023 those all we give procurement reform project procurement observatory portal and numerous books collections from fictions to scientific research in any way in the midst of them is this procurement reform project procurement observatory portal that can be your partner systems approaches to public sector challenges working with

**procurement reform project procurement observatory portal** - Mar 03 2023

web oct 6 2023 procurement reform project procurement observatory portal 1 9 downloaded from uniport edu ng on october 6 2023 by guest procurement reform project procurement observatory portal thank you unconditionally much for downloading procurement reform project procurement observatory portal maybe

**procurement reform project procurement observatory portal** - Aug 08 2023

web an introduction to purchasing reform in das may 17 2023 procurement reform computer file contract reporting project terms of reference mar 15 2023 capital project procurement reform jul 19 2023 procurement reform program 2022 jan 01 2022 building commitment to reform through strategic communication nov 18 2020

procurement reform project procurement observatory portal - Jul 07 2023

web 4 procurement reform project procurement observatory portal 2023 04 23 important demand side instrument these trends have been especially pronounced in the european union there as this book will argue existing legislation governing public procurement presents obstacles to the use of public technology procurement as a means of

**pourquoi et comment fait on attention inshea** - May 18 2023

pourquoi et comment fait on attention faire attention est ce si simple quels liens l attention entretient elle avec la perception la conscience et la mémoire peut on vraiment

*pourquoi et comment fait on attention lecteurs com* - Mar 04 2022

mar 5 2009 pourquoi et comment fait on attention pourquoi et comment fait on attention faire attention est ce si simple quels liens l attention entretient elle avec la

qu est ce que l attention la fondation la main à la - Jun 19 2023

pourquoi et comment fait on attention résumé s chokron 2009 ce fascicule permet en 60 pages de s initier rapidement aux notions nécessaires pour comprendre ce qu est

**pourquoi et comment fait on attention sylvie chokron bnfa** - Apr 17 2023

aug 14 2020 l attention nous permet de moduler nos perceptions du monde qu il s agisse du monde extérieur à travers les

six sens ou le monde intérieur sensation émotions pensées

**pourquoi et comment fait on attention sylvie chokron** - Nov 12 2022

l'attention est un facteur de l'efficacité cognitive qu'il s'agisse de percevoir de mémoriser ou de résoudre des problèmes les ressources attentionnelles dont on dispose dépendent des

l'attention plus ou moins que la perception [openedition journals](#) - May 06 2022

mar 5 2009 pourquoi et comment fait on attention faire attention est ce si simple quels liens l'attention entretient elle avec la perception la pourquoi et comment fait on

**les clés de l'attention et de la concentration vous par macif** - Aug 09 2022

pourquoi et comment fait on attention faire attention est ce si simple quels liens l'attention entretient elle avec la perception la conscience et la mémoire peut on vraiment

*pourquoi et comment fait on attention* [google books](#) - Jul 20 2023

faire attention est ce si simple quels liens l'attention entretient elle avec la perception la conscience et la mémoire peut on vraiment faire attention à deux choses en même

**l'attention et la concentration** - Jul 08 2022

l'attention est définie comme un être dirigé continu sur un objet bien que dans la perception des effractions soudaines et fugaces attirent notre attention et provoquent un changement de

**pourquoi et comment fait on attention livre pas cher sylvie** - Jun 07 2022

faire attention est ce si simple quels liens l'attention entretient elle avec la perception la conscience et la mémoire peut on vraiment faire attention à deux choses en même temps

*pourquoi et comment fait on attention poche fnac* - Oct 11 2022

mar 28 2019 en 1890 le psychologue et philosophe william james 1 l'un des pères de la psychologie moderne propose une définition de l'attention dans son ouvrage the principles

**mécanismes de l'attention les comprendre pour mieux** - Mar 16 2023

pourquoi et comment fait on attention sylvie chokron livre chokron sylvie auteur édité par ed le pommier paris 2009 fort utilisée dans des expressions du langage courant faire

laura smet ce que je dirais à la laura d'avant c'est de faire - Aug 29 2021

15 hours ago magnificogiganticuskalgan le 23 10 2023 à 02 49 la plupart des habitants de gaza ont voté pour le hamas et lorsque celui arrive donc au pouvoir à ce moment là tous le

**pourquoi et comment fait on attention france loisirs suisse** - Jan 02 2022

18 octobre 2023 il ne s'agit pas d'une tragédie lointaine les liens entre Israël et les États-Unis sont profonds a déclaré mardi

10 octobre le président américain joe biden dans l

**les quatre types d attention nos pensées** - Feb 03 2022

je vous parle souvent de l attention fonction cognitive nécessaire à la mémorisation et à l autonomie à domicile parce que vous êtes nombreux à avoir des proches qui ont des

**guerre israël hamas tsahal fait monter la pression avant** - Jun 26 2021

oct 18 2023 les funérailles se mettent au vert comment faire pour éviter la consommation de gaz d une crémation contribuant au réchauffement climatique ou la pollution liée aux

**pourquoi et comment fait on attention broché au meilleur prix** - May 26 2021

comprendre ce qu est l attention et son impact sur les - Feb 15 2023

le contrôle attentionnel est la capacité d une personne à diriger son attention à choisir ce à quoi elle prête attention et ce qu elle veut ignorer 1 concept généralités le contrôle est lié à

**guerre israël hamas pourquoi l onu n intervient elle pas** - Sep 29 2021

1 day ago et comme pour nous le surpoids présente des risques pour leur santé c est pourquoi il est important de ne pas prendre à la légère une prise de poids chez votre animal

*pourquoi et comment fait on attention goodreads* - Apr 05 2022

feb 13 2023 souvent la récompense n est pas immédiate c est pourquoi on associe ce type d attention à différents obstacles la motivation la fatigue l ennui le bâclage attention

pourquoi et comment fait on attention sylvie chokron - Jan 14 2023

mar 9 2009 pourquoi et comment fait on attention faire attention est ce si simple quels liens l attention entretient elle avec la perception la conscience et la mémoire peut

contrôle attentionnel wikipédia - Dec 13 2022

faire attention est ce si simple quels liens l attention entretient elle avec la perception la conscience et la mémoire peut on vraiment faire attention à deux choses en même temps

*pourquoi le surpoids de votre chien ou de votre chat doit vous* - Jul 28 2021

pourquoi et comment fait on attention broché achat en ligne au meilleur prix sur e leclerc retrait gratuit dans de 700 magasins

**pourquoi et comment fait on attention autonome à domicile** - Dec 01 2021

2 days ago pourquoi l onu n intervient elle pas les correspondants de la bbc répondent aux questions sur le conflit entre israël et le hamas

**pourquoi et comment fait on attention amazon fr** - Sep 22 2023

retrouvez pourquoi et comment fait on attention et des millions de livres en stock sur amazon fr achetez neuf ou d occasion  
amazon fr pourquoi et comment fait on attention chokron sylvie livres

**attention wikipédia** - Sep 10 2022

pourquoi et comment fait on attention sylvie chokron éditeur le pommier 2009 plan d intervention pour les difficultés d  
attention hristine drouin andré huppé editions henelière

**pourquoi les États unis soutiennent ils israël bbc** - Oct 31 2021

oct 19 2023 tout le monde passe par là il faut savoir gérer ne pas se sous estimer avancer continuer à y croire faire des  
choses qui nourrissent ce que je dirais à la laura d avant c est

*quelle est la façon la plus verte de mourir bbc* - Apr 24 2021

pourquoi et comment fait on attention librairie eyrolles - Aug 21 2023

pourquoi et comment fait on attention faire attention est ce si simple quels liens l attention entretient elle avec la perception  
la conscience et la mémoire peut on vraiment

*the myth of the twentieth century archive org* - Jun 30 2023

web nov 7 2011 the myth of the twentieth century german der mythus des zwanzigsten jahrhunderts by alfred rosenberg  
one of the principal ideologues of the nazi party and

*myth of the 20th century podcast 001 257 archive org* - Jun 18 2022

web twentieth century mythologies traces the study of myth over the last century presenting the key theories of mythology  
and critiquing traditional definitions of myth the volume

**the myth of the 20th century alfred rosenberg archive org** - Sep 02 2023

web rosenberg s the myth of the twentieth century demands reassessment the time is right for a serious treatment the first  
ever in fact of this monumentally important work the

*modernity and myth chapter 14 the cambridge history of* - Apr 16 2022

web oct 27 2011 in the twentieth century camus claims murder has become reasonable theoretically defensible and justified  
by doctrine people have grown accustomed to

**the myth of the twentieth century google books** - May 30 2023

web the myth of the twentieth century german der mythus des zwanzigsten jahrhunderts is a 1930 book by alfred rosenberg  
one of the principal ideologues of the nazi party

**myth of the twentieth century wikipedia** - Sep 21 2022

web myth of the 20th century podcast episodes 001 257 archived as of march 2023 details note that the podcast altered their episode numbering with episode 011 nixon

[the myth of the twentieth century wikipedia](#) - Oct 03 2023

web mar 9 2021 the myth is the myth of the blood which under the sign of the swastika released the world revolution it is the awakening of the soul of the race which after a

[myths of the twentieth century vqr online](#) - Dec 13 2021

*the myth of the twentieth century google books* - Nov 23 2022

web one hundred years ago as the nineteenth century ended predictions of what the twentieth would hold were varied and often contradictory some prophesied the final

[albert camus stanford encyclopedia of philosophy](#) - Jan 14 2022

**the myth of the 20th century alfred rosenberg google books** - Jan 26 2023

web the myth of the twentieth century an evaluation of the spiritual alfred rosenberg google books based on a selective reading of earlier works of philosophers neo

**the myth of the twentieth century the rise and fall of jstor** - Aug 21 2022

web the myth of the twentieth century quotes showing 1 5 of 5 a determined will grounded on a clear order of rank of values coupled with organic strength of outlook will also one

*the myth of the twentieth century google books* - Apr 28 2023

web the myth of the twentieth century is a 1930 book by alfred rosenberg a nazi theorist and official who was convicted of crimes against humanity and other crimes at the

**the myth of the twentieth century wikiquote** - Jul 20 2022

web myths are thought to be primordial and universal modernity along with its cultural and artistic complement modernism is both urgently present and geopolitically particular

*the myth of the 20th century paperback barnes* - Oct 23 2022

web apr 19 2018 the myth of the twentieth century 1930 der mythus des zwanzigsten jahrhunderts is a book by alfred rosenberg one of the principal ideologues of the nazi

*the myth of the 20th century alfred rosenberg google books* - Mar 28 2023

web the myth of the 20th century alfred rosenberg black kite publishing 2017 history 472 pages alfred rosenberg was one of the principal ideologues of the nazi party and editor

**the myth of the twentieth century google books** - Dec 25 2022

web language links are at the top of the page across from the title

**the myth of the twentieth century quotes by alfred rosenberg** - May 18 2022

web the myth of the twentieth century aryanism

**the myth of the twentieth century by alfred** - Aug 01 2023

web may 22 2019 the myth of the twentieth century regarded as the second most important book to come out of nazi germany alfred rosenberg s der mythus des

**the myth of the twentieth century alchetron** - Nov 11 2021

**the myth of the twentieth century aryanism** - Feb 12 2022

web nov 4 2022 the myth of the twentieth century german der mythus des zwanzigsten jahrhunderts is a 1930 book by alfred rosenberg one of the principal ideologues of the

twentieth century mythologies cambridge university press - Mar 16 2022

web mar 31 2010 by robert c binkley issue summer 1937 the story of the tower of babel has for the twentieth century a profound and desolating relevance it is told in the book

*the myth of the twentieth century wikiwand* - Feb 24 2023

web the myth of the twentieth century an evaluation of the spiritual intellectual confrontations of our age alfred rosenberg historical review press 2004