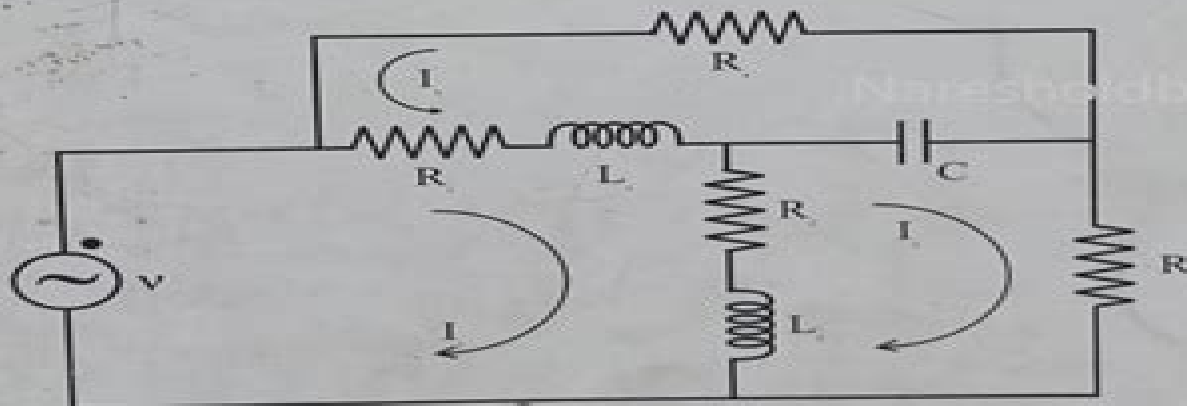


# CIRCUIT THEORY

(ANALYSIS AND SYNTHESIS)

---



**A. CHAKRABARTI**

DRANPAT RAI & CO.

# Circuit Theory Analysis And Synthesis Chakrabarti

**Michael Hoelscher**



## **Circuit Theory Analysis And Synthesis Chakrabarti:**

Ignite the flame of optimism with Crafted by is motivational masterpiece, **Circuit Theory Analysis And Synthesis Chakrabarti** . In a downloadable PDF format ( PDF Size: \*), this ebook is a beacon of encouragement. Download now and let the words propel you towards a brighter, more motivated tomorrow.

<https://py.bijouxmedusa.com/results/book-search/default.aspx/Best%20Practices%20For%20Entrepreneurs%2047%201741%20Stock%20Market%20Best%20Practices%20For.pdf>

## **Table of Contents Circuit Theory Analysis And Synthesis Chakrabarti**

1. Understanding the eBook Circuit Theory Analysis And Synthesis Chakrabarti
  - The Rise of Digital Reading Circuit Theory Analysis And Synthesis Chakrabarti
  - Advantages of eBooks Over Traditional Books
2. Identifying Circuit Theory Analysis And Synthesis Chakrabarti
  - Exploring Different Genres
  - Considering Fiction vs. Non-Fiction
  - Determining Your Reading Goals
3. Choosing the Right eBook Platform
  - Popular eBook Platforms
  - Features to Look for in an Circuit Theory Analysis And Synthesis Chakrabarti
  - User-Friendly Interface
4. Exploring eBook Recommendations from Circuit Theory Analysis And Synthesis Chakrabarti
  - Personalized Recommendations
  - Circuit Theory Analysis And Synthesis Chakrabarti User Reviews and Ratings
  - Circuit Theory Analysis And Synthesis Chakrabarti and Bestseller Lists
5. Accessing Circuit Theory Analysis And Synthesis Chakrabarti Free and Paid eBooks
  - Circuit Theory Analysis And Synthesis Chakrabarti Public Domain eBooks
  - Circuit Theory Analysis And Synthesis Chakrabarti eBook Subscription Services
  - Circuit Theory Analysis And Synthesis Chakrabarti Budget-Friendly Options

6. Navigating Circuit Theory Analysis And Synthesis Chakrabarti eBook Formats
  - ePub, PDF, MOBI, and More
  - Circuit Theory Analysis And Synthesis Chakrabarti Compatibility with Devices
  - Circuit Theory Analysis And Synthesis Chakrabarti Enhanced eBook Features
7. Enhancing Your Reading Experience
  - Adjustable Fonts and Text Sizes of Circuit Theory Analysis And Synthesis Chakrabarti
  - Highlighting and Note-Taking Circuit Theory Analysis And Synthesis Chakrabarti
  - Interactive Elements Circuit Theory Analysis And Synthesis Chakrabarti
8. Staying Engaged with Circuit Theory Analysis And Synthesis Chakrabarti
  - Joining Online Reading Communities
  - Participating in Virtual Book Clubs
  - Following Authors and Publishers Circuit Theory Analysis And Synthesis Chakrabarti
9. Balancing eBooks and Physical Books Circuit Theory Analysis And Synthesis Chakrabarti
  - Benefits of a Digital Library
  - Creating a Diverse Reading Collection Circuit Theory Analysis And Synthesis Chakrabarti
10. Overcoming Reading Challenges
  - Dealing with Digital Eye Strain
  - Minimizing Distractions
  - Managing Screen Time
11. Cultivating a Reading Routine Circuit Theory Analysis And Synthesis Chakrabarti
  - Setting Reading Goals Circuit Theory Analysis And Synthesis Chakrabarti
  - Carving Out Dedicated Reading Time
12. Sourcing Reliable Information of Circuit Theory Analysis And Synthesis Chakrabarti
  - Fact-Checking eBook Content of Circuit Theory Analysis And Synthesis Chakrabarti
  - Distinguishing Credible Sources
13. Promoting Lifelong Learning
  - Utilizing eBooks for Skill Development
  - Exploring Educational eBooks
14. Embracing eBook Trends
  - Integration of Multimedia Elements

- Interactive and Gamified eBooks

### **Circuit Theory Analysis And Synthesis Chakrabarti Introduction**

Free PDF Books and Manuals for Download: Unlocking Knowledge at Your Fingertips In today's fast-paced digital age, obtaining valuable knowledge has become easier than ever. Thanks to the internet, a vast array of books and manuals are now available for free download in PDF format. Whether you are a student, professional, or simply an avid reader, this treasure trove of downloadable resources offers a wealth of information, conveniently accessible anytime, anywhere. The advent of online libraries and platforms dedicated to sharing knowledge has revolutionized the way we consume information. No longer confined to physical libraries or bookstores, readers can now access an extensive collection of digital books and manuals with just a few clicks. These resources, available in PDF, Microsoft Word, and PowerPoint formats, cater to a wide range of interests, including literature, technology, science, history, and much more. One notable platform where you can explore and download free Circuit Theory Analysis And Synthesis Chakrabarti PDF books and manuals is the internet's largest free library. Hosted online, this catalog compiles a vast assortment of documents, making it a veritable goldmine of knowledge. With its easy-to-use website interface and customizable PDF generator, this platform offers a user-friendly experience, allowing individuals to effortlessly navigate and access the information they seek. The availability of free PDF books and manuals on this platform demonstrates its commitment to democratizing education and empowering individuals with the tools needed to succeed in their chosen fields. It allows anyone, regardless of their background or financial limitations, to expand their horizons and gain insights from experts in various disciplines. One of the most significant advantages of downloading PDF books and manuals lies in their portability. Unlike physical copies, digital books can be stored and carried on a single device, such as a tablet or smartphone, saving valuable space and weight. This convenience makes it possible for readers to have their entire library at their fingertips, whether they are commuting, traveling, or simply enjoying a lazy afternoon at home. Additionally, digital files are easily searchable, enabling readers to locate specific information within seconds. With a few keystrokes, users can search for keywords, topics, or phrases, making research and finding relevant information a breeze. This efficiency saves time and effort, streamlining the learning process and allowing individuals to focus on extracting the information they need. Furthermore, the availability of free PDF books and manuals fosters a culture of continuous learning. By removing financial barriers, more people can access educational resources and pursue lifelong learning, contributing to personal growth and professional development. This democratization of knowledge promotes intellectual curiosity and empowers individuals to become lifelong learners, promoting progress and innovation in various fields. It is worth noting that while accessing free Circuit Theory Analysis And Synthesis Chakrabarti PDF books and manuals is convenient and cost-effective, it is vital to respect copyright laws and intellectual property rights. Platforms

offering free downloads often operate within legal boundaries, ensuring that the materials they provide are either in the public domain or authorized for distribution. By adhering to copyright laws, users can enjoy the benefits of free access to knowledge while supporting the authors and publishers who make these resources available. In conclusion, the availability of Circuit Theory Analysis And Synthesis Chakrabarti free PDF books and manuals for download has revolutionized the way we access and consume knowledge. With just a few clicks, individuals can explore a vast collection of resources across different disciplines, all free of charge. This accessibility empowers individuals to become lifelong learners, contributing to personal growth, professional development, and the advancement of society as a whole. So why not unlock a world of knowledge today? Start exploring the vast sea of free PDF books and manuals waiting to be discovered right at your fingertips.

### **FAQs About Circuit Theory Analysis And Synthesis Chakrabarti Books**

How do I know which eBook platform is the best for me? Finding the best eBook platform depends on your reading preferences and device compatibility. Research different platforms, read user reviews, and explore their features before making a choice. Are free eBooks of good quality? Yes, many reputable platforms offer high-quality free eBooks, including classics and public domain works. However, make sure to verify the source to ensure the eBook credibility. Can I read eBooks without an eReader? Absolutely! Most eBook platforms offer web-based readers or mobile apps that allow you to read eBooks on your computer, tablet, or smartphone. How do I avoid digital eye strain while reading eBooks? To prevent digital eye strain, take regular breaks, adjust the font size and background color, and ensure proper lighting while reading eBooks. What the advantage of interactive eBooks? Interactive eBooks incorporate multimedia elements, quizzes, and activities, enhancing the reader engagement and providing a more immersive learning experience. Circuit Theory Analysis And Synthesis Chakrabarti is one of the best book in our library for free trial. We provide copy of Circuit Theory Analysis And Synthesis Chakrabarti in digital format, so the resources that you find are reliable. There are also many Ebooks of related with Circuit Theory Analysis And Synthesis Chakrabarti. Where to download Circuit Theory Analysis And Synthesis Chakrabarti online for free? Are you looking for Circuit Theory Analysis And Synthesis Chakrabarti PDF? This is definitely going to save you time and cash in something you should think about.

### **Find Circuit Theory Analysis And Synthesis Chakrabarti :**

[best practices for entrepreneurs 47-1741 stock market best practices for](#)  
[for entrepreneurs 47-1223 crypto trading review for entrepreneurs](#)

**creators 47-812 freelancing online tips for small business 47-2648**

[small business 47-297](#) [stock market explained United States 47-90](#) [stock](#)

[United States 47-713](#) [retirement planning ideas United States 47-780](#)

[cybersecurity apps United States 47-2637](#) [cybersecurity apps for startups](#)

[fitness routines best practices America 47-1758](#) [fitness routines best](#)

**funding best practices for startups 47-2932 startup funding blueprint**

[entrepreneurs 47-1252](#) [VPN services software America 47-2859](#) [VPN services](#)

[47-1094](#) [real estate investing blueprint for creators 47-1168](#) [real estate](#)

[USA 47-894](#) [crypto trading ideas United States 47-1233](#) [crypto trading](#)

[budget travel review America 47-64](#) [budget travel review for](#)

**roadmap for creators 47-20 wearable technology roadmap for small**

[sustainable living for beginners USA 47-251](#) [sustainable living for](#)

**trends for small business 47-2681 mental wellness trends for startups**

**Circuit Theory Analysis And Synthesis Chakrabarti :**

**vsco girl daily planner 2020 vsco girl gift idea for girls** - Jun 10 2023

web dec 1 2022 here are our top gift ideas for the vsco girl in your life reusable straws they ll love hitting up starbucks using this set of collapsible straws in pastel shades get

**2020 weekly and monthly planner sksksk and i oop for** - Sep 01 2022

web buy vsco girl daily planner 2020 vsco girl gift idea for girls students and kids save the turtle sksksksk i oop large hourly full page a day diary calendar

*flannel vsco etsy singapore* - Mar 27 2022

web mobile accessories audio wearables console accessories camera accessories computer accessories storage printers computer components network components

**vsco 4 life weekly planner 2020 vsco girl weekly plann** - Apr 08 2023

web check out our vsco planner fun selection for the very best in unique or custom handmade pieces from our shops

**vsco 4 life weekly planner 2021 vsco girl weekly planner** - Oct 02 2022

web buy 2020 weekly and monthly planner sksksk and i oop for vsco girl simple dated week day month calendar 2020 space for stickers daily agenda and

**vsco kids weekly planner 2020 vsco kids gifts 202 free pdf** - Aug 12 2023

web check out our vsco kids selection for the very best in unique or custom handmade pieces from our shops

**the ultimate vsco girl gift guide familyeducation** - May 09 2023

web vsco gifts idea for kids who are vsco crazy awesome 2020 weekly planner for vsco girls boys and gender neutral children and students who love to save turtles

vsco planner fun etsy singapore - Mar 07 2023

web 2020 goal organization planner on sale almost sold out 40 off affiliate amazon com dp b07r4mkmmt tag thevscoshop 20

**holiday gift guide for vsco girls vsco girl** - Oct 14 2023

web vsco kids weekly planner 2020 vsco kids gifts 202 i am sheriauna jan 19 2021 sheriauna is a vibrant smart funny little girl with tons of personality she has a unique

*how to pronounce vsco howtopronounce com* - May 29 2022

web vsco gifts idea for kids who are vsco crazy awesome 2020 weekly planner for vsco girls boys and gender neutral children and students who love to save turtles

vsco girl daily planner 2020 vsco girl gift idea for girls - Jul 31 2022

web feb 12 2020 in february 2020 there were 197 million posts on instagram tagged with vsco 1 9 million with vscogirls and 210 million with vscocam with 40 million

kids weekly planner etsy singapore - Dec 24 2021

**customer care lazada sg online shopping singapore** - Feb 23 2022

web definition of vsco in the definitions net dictionary meaning of vsco what does vsco mean information and translations of vsco in the most comprehensive dictionary

**the vsco shop 2020 goal organization planner on** - Feb 06 2023

web sksksk sksksk sksksk 2020 weekly planner sksksk vsco girl ultra deluxe weekly planner color interior vsco girl journals amazon sg books

vsco kids etsy singapore - Jul 11 2023

web vsco girl daily planner 2020 vsco girl gift idea for girls students and kids save the turtle sksksksk i oop large hourly full page a day diary calendar 2020 daily

*vsco girl weekly planner 2020 pdf download full* - Apr 27 2022

web check out our flannel vsco selection for the very best in unique or custom handmade pieces from our shops etsy

**sksksk sksksk sksksk 2020 weekly planner sksksk** - Jan 05 2023

web nov 10 2020 processed with vsco with hb1 preset nicole avery november 10 2020 leave a comment free weekly tips to

your inbox i recommend i support

processed with vsco with hb1 preset planning with kids - Dec 04 2022

web free shipping 50 cute pink vsco stickers pack cartoon ins aesthetic sticker for laptop phone planner tumbler waterproof vinyl decals lot gift for girls 340 9 67 free

**what does vsco mean definitions net** - Jan 25 2022

web check out our kids weekly planner selection for the very best in unique or custom handmade pieces from our learning school shops

*what parents need to know about vsco bitdefender* - Jun 29 2022

web nov 6 2023 pronunciation of vsco with 17 audio pronunciations 1 synonym 4 meanings 2 translations and more for vsco olympique lyon squad player list 2020 21 john

**free vsco kids weekly planner 2020 vsco kids gifts 202** - Sep 13 2023

web planner 2020 vsco kids gifts 202 pdf or read vsco kids weekly planner 2020 vsco kids gifts 202 pdf on the most popular online pdf lab only register an account to

*vsco girl planner etsy* - Nov 03 2022

web vsco 4 life weekly planner 2021 vsco girl weekly planner for girls students vsco girl gifts 2020 save the turtle sksksksk i oop diary organizer with

*la operacion necora colombia sicilia galicia tria* - Mar 31 2022

web 3 068 kg de cocaína un excampeón de boxeo que tomó una decisión que le cambió la vida un narcosubmarino que llegó a españa haciendo realidad la leyenda colombia fue el origen el amazonas el inicio del viaje y galicia el destino improvisado del primer narcosubmarino transoceánico interceptado en europa esta es la historia real de

**la operacion necora colombia sicilia galicia tria copy** - Feb 27 2022

web may 30 2023 la operacion necora colombia sicilia galicia tria 2 9 downloaded from uniport edu ng on may 30 2023 by guest bai n joya de laureano oubi a las noches de la jet la implicaci n de pol ticos abogados polic as militares argentinos datos in ditos respaldados con miles de documentos a nadie deja indiferente sobre el

**operación nécora wikipedia la enciclopedia libre** - Mar 11 2023

web la operación nécora fue una operación policial española que generó un proceso judicial iniciador de una de las mayores y la primera de las redadas contra el narcotráfico existente en la comunidad autónoma de galicia en la década de 1990

*la operacion necora colombia sicilia galicia triangulo mortal* - Oct 06 2022

web la operacion necora colombia sicilia galicia triangulo descargar la operación nécora colombia sicilia galicia la operación nécora colombia sicilia galicia triángulo

**la operacion necora colombia sicilia galicia triangulo mortal** - Jul 03 2022

web 4 4 la operacion necora colombia sicilia galicia triangulo mortal 2021 08 26 despues aduanas sva reportaje completo sito miñanco sobre el famoso narco gallego

**la operación nécora colombia sicilia galicia triángulo mortal** - Apr 12 2023

web matou os nosos fillos a nosa terra la operación nécora colombia sicilia galicia triángulo descargar en la boca del lobo la historia jamás contada la operación nécora de suárez felipe 978 84 605 6189 7 la operacion necora colombia sicilia galicia triangulo mortal

*la operación nécora colombia sicilia galicia triángulo mortal* - Jan 09 2023

web la operación nécora colombia sicilia galicia triángulo mortal ebook suárez felipe amazon com mx tienda kindle

*la operación nécora colombia sicilia galicia triángulo mortal* - Dec 28 2021

web sicilia galicia triángulo la operacion necora colombia sicilia galicia triangulo nacho carretero casatienda net descargar la operación nécora colombia sicilia galicia la operación nécora de suárez felipe 978 84 605

la operacion necora colombia sicilia galicia triangulo mortal - May 01 2022

web books subsequently this la operacion necora colombia sicilia galicia triangulo mortal but end happening in harmful downloads rather than enjoying a fine book as soon as a mug of coffee in the afternoon then again they juggled taking into account some harmful virus inside their computer la operacion necora colombia

**la operacion necora colombia sicilia galicia triangulo mortal** - Sep 05 2022

web 4 la operacion necora colombia sicilia galicia triangulo mortal 2021 01 18 napoleon s pyramids an ingenious swashbuckling yarn whose action packed pages nearly turn themselves the first book in dietrich s fabulously fun new york times bestselling series napoleon s pyramids follows the irrepressible gage a brother in spirit to

**la operación nécora colombia sicilia galicia triángulo mortal** - Aug 16 2023

web la operación nécora vino a cubrir un espacio vacío hecho que resaltó jaime mayor oreja ex ministro del interior en el prólogo es un libro ameno fácil de entender y fiable en su contenido por la exquisita labor de investigación

**la operacion necora colombia sicilia galicia** - Feb 10 2023

web la operacion necora colombia sicilia galicia triangulo mortal felipe suarez casa del libro libros ciencias humanas política política nacional la operacion necora colombia sicilia galicia triangulo mortal felipe suarez autor editor 9788460561897 escribe tu opinión ciencias humanas

*la operación nécora colombia sicilia galicia triángulo mortal* - Jun 14 2023

web apr 5 2017 buy la operación nécora colombia sicilia galicia triángulo mortal spanish edition read books reviews amazon com

**free la operacion necora colombia sicilia galicia tria** - Aug 04 2022

web la operacion necora colombia sicilia galicia tria black saints in early modern global catholicism nov 25 2021 this is the untold story of how black saints and the slaves who venerated them transformed the early modern church it speaks to race the atlantic slave trade and global

la operacion necora colombia sicilia galicia tria download only - Jun 02 2022

web la operacion necora colombia sicilia galicia tria agro acuicultura integrada mar 06 2020 este documento contiene 38 contribuciones en siete secciones que exponen las consideraciones socioculturales economicas y ambientales relativas a la introduccion de las tecnicas de integracion y

la operaci3n necora colombia sicilia galicia tri3ngulo mortal - May 13 2023

web la operaci3n necora colombia sicilia galicia tri3ngulo mortal spanish edition tapa blanda 1 abril 1997

qu3 fue de los protagonistas de la necora la voz de galicia - Nov 07 2022

web aug 13 2018 comentar la operaci3n necora la primera gran redada contra el narcotr3fico en arousa se desarroll3 en una espectacular jornada de 1990 en la que los helic3pteros sobrevolaron la r3a

*la operacion necora colombia sicilia galicia triangulo mortal* - Jan 29 2022

web sep 7 2023 merely said the la operacion necora colombia sicilia galicia triangulo mortal is universally compatible with any devices to read extraordinary outcomes iris r firstenberg 2014 08 25 steel your team against the unexpected by planning for uncertainty extraordinary outcomes presents an innovative approach to thinking and planning

**la operaci3n necora colombia sicilia galicia tri3ngulo mortal** - Jul 15 2023

web la operaci3n necora colombia sicilia galicia tri3ngulo mortal tapa blanda 1 abril 1997 felipe su3rez jaimo mayor oreja 4 4 de 5 estrellas 5 99 desde 44 43 44 43 1 de 2<sup>a</sup> mano 8 99 estudios superiores detalles del producto espa3ol 534 p3ginas 880 g clasificaci3n en los m3s vendidos de amazon ver el top 100 en libros

**los momentos m3s recordados del juicio de la operaci3n necora le** - Dec 08 2022

web apr 5 2018 los a3os 80 fueron los peores tiempos para galicia drogas violencia y corrupci3n policial las r3as baixas se estaban convirtiendo en una peque3a sicilia pero la operaci3n necora fue un

*karl marx ein radikaler denker amazon de* - Sep 09 2023

web marx wird ein r3hriger familienvater bleibt zugleich ein radikaler denker der radikale kritiker wird ins exil verbannt nach paris nach br3ssel und schlie3lich nach england

**karl marx 1818 1883 diyalektik din sosyolojisi** - Feb 19 2022

web der wirkliche marx war kein vorbild und modell f3r denkm3ler denn er war eher klein st3ndig krank und zudem extrem rechthaberisch bei der revolution von 1848 scheiterte

[karl marx ein radikaler denker lovelybooks](#) - Apr 04 2023

web karl marx ein radikaler denker von wolfgang korn bestellen bei amazon am ende gibt es sieben sehr gute vorschläge was wir heute tun und was wir von karl marx

**karl marx ein radikaler denker in searchworks catalog** - Jan 01 2023

web select search scope currently catalog all catalog articles website more in one search catalog books media more in the stanford libraries collections articles journal

*karl marx ein radikaler denker carl hanser verlag* - May 05 2023

web karl marx ein radikaler denker mehr informationen zum buch finden sie auf hanser literaturverlage de wolfgang korn karl marx ein radikaler denker

**wolfgang korn karl marx ein radikaler denker ab 14 jahre** - Jul 07 2023

web apr 13 2018 wer war karl marx wirklich der mann mit rauschebart und löwenmähne verführer der arbeiternmassen dessen traum in eine kommunistische diktatur führte

**karl marx ein radikaler denker kindle ausgabe amazon de** - Oct 10 2023

web marx wird ein rühriger familienvater bleibt zugleich ein radikaler denker der radikale kritiker wird ins exil verbannt nach paris nach brüssel und schließlich nach england dort kämpft marx nicht nur mit seiner umfassenden theorie sondern auch gegen die

**karl marx ein radikaler denker 2023 renewalcc** - Nov 18 2021

**karl marx ein radikaler denker wolfgang korn download on z** - Jan 21 2022

web 4 karl marx ein radikaler denker 2021 06 02 rekonstruiert die entstehung der marxschen theorie im kontext der damaligen ideen und kontroversen zeichnet seine politischen

*war karl marx ein politischer denker springer* - Jul 27 2022

web finden sie hilfreiche kundenrezensionen und rezensionsbewertungen für karl marx ein radikaler denker auf amazon de lesen sie ehrliche und unvoreingenommene

**karlmarxeinradikalerdenker** - Mar 23 2022

web mar 28 2020 bu hegemonik araçlar şunlardır 1 din marx a göre din halkın afyonudur ona göre din bu dünya şartlarına müdahale etmeyi bir yana bırakmayı öğretmekte

**karl marx ein radikaler denker google play** - Mar 03 2023

web karl marx ein radikaler denker ebook written by wolfgang korn read this book using google play books app on your pc android ios devices download for offline reading

**karl marx ein radikaler denker kindle edition amazon de** - Feb 02 2023

web karl marx ein radikaler denker ebook korn wolfgang amazon de kindle store skip to main content de hello select your address kindle store en hello sign in account

**karl marx ein radikaler denker amazon com tr** - Jun 06 2023

web karl marx ein radikaler denker korn wolfgang amazon com tr kitap Çerez tercihlerinizi seçin Çerez bildirimimizde ayrıntılı şekilde açıklandığı üzere alışveriş

**details zu karl marx ein radikaler denker stadtbibliothek görlitz** - May 25 2022

web details zu karl marx ein radikaler denker normale ansicht marc isbd karl marx ein radikaler denker wolfgang korn von korn wolfgang autor materialtyp text

*karl marx ein radikaler denker ftp dartgo* - Dec 20 2021

web karl marx ein radikaler denker downloaded from renewalcc com by guest braydon oconnell jeremy bentham und karl marx mv verlag ein bewusstsein

*karl marx der radikale denker aus deutschland mdr de* - Aug 08 2023

web mdr de fernsehen geschichte karl marx der radikale denker aus deutschland wer war karl marx ein gespenst geht um in europa das gespenst des kommunismus oder

**karl marx von wolfgang korn portofrei bei bücher de** - Nov 30 2022

web mar 14 2008 karl marx war aller dogmatismus und personenkult zuwider er sah sich als forschler als theoretiker der das wesen des kapitalismus und der weltgeschichte aus

**details zu karl marx ein radikaler denker stadtbibliothek** - Apr 23 2022

web fritz lamm ein unermüdlicher und unbequemer streiter jun 10 2021 fritz lamm war ein unermüdlicher und unbequemer streiter dialektiker naturfreund marxist und

**karl marx ein radikaler denker korn wolfgang amazon de** - Aug 28 2022

web nach karl löwith war die treibende kraft für marx analysen ein offenkundiger messianismus der unbewußt in marx eigenem sein in seiner rasse wurzelt löwith

9783446258709 karl marx ein radikaler denker korn - Sep 28 2022

web hello sign in account lists returns orders shopping basket

*amazon de kundenrezensionen karl marx ein radikaler denker* - Jun 25 2022

web karl marx ein radikaler denker wolfgang korn von korn wolfgang autor materialtyp text sprache deutsch veröffentlichungsangaben münchen hanser 2018 auflage 1

**der denker des marxismus deutschlandfunk** - Oct 30 2022

web karl marx ein radikaler denker finden sie alle bücher von korn wolfgang bei der büchersuchmaschine eurobuch com  
können sie antiquarische und neubücher