

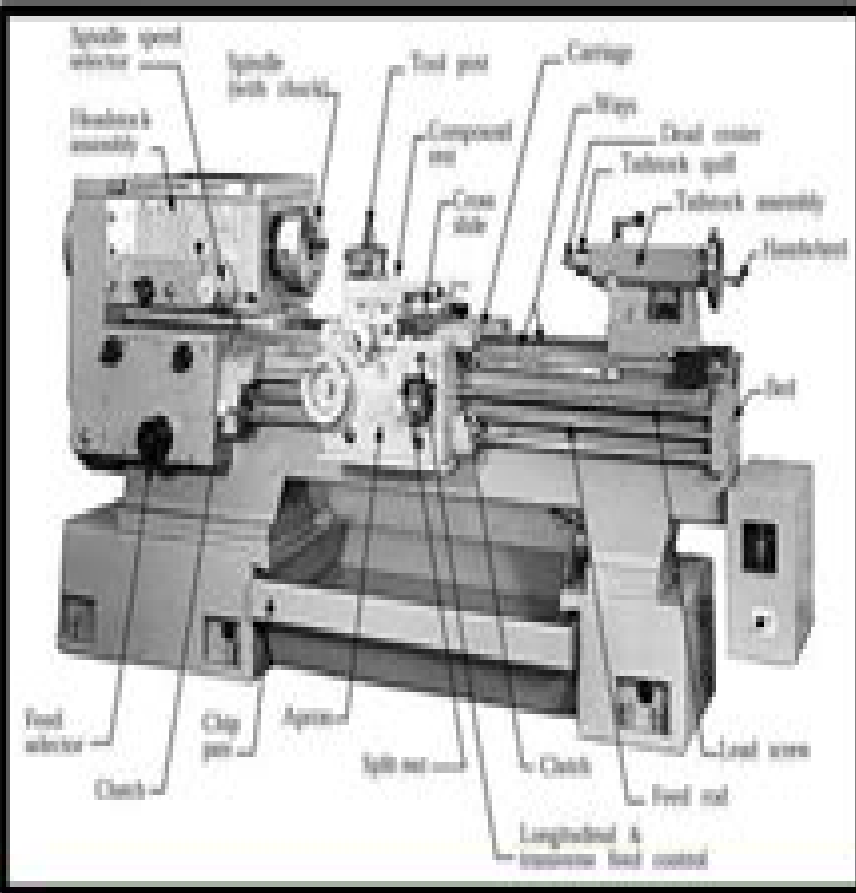
LATHE MACHINE SPECIAL MCQ

SUB-LATHE PARTS

Top 20 MCQ

Class- 01

BARC || ISRO || NFC || NPCIL



जो Questions हर बार Exam में आता है

Objective Questions Answers In Lathe Machine

ML Yell



Objective Questions Answers In Lathe Machine:

The Top Books of the Year Objective Questions Answers In Lathe Machine The year 2023 has witnessed a noteworthy surge in literary brilliance, with numerous captivating novels captivating the hearts of readers worldwide. Lets delve into the realm of top-selling books, exploring the captivating narratives that have enthralled audiences this year. Objective Questions Answers In Lathe Machine : Colleen Hoover's "It Ends with Us" This heartfelt tale of love, loss, and resilience has captivated readers with its raw and emotional exploration of domestic abuse. Hoover expertly weaves a story of hope and healing, reminding us that even in the darkest of times, the human spirit can triumph. Uncover the Best : Taylor Jenkins Reids "The Seven Husbands of Evelyn Hugo" This captivating historical fiction novel unravels the life of Evelyn Hugo, a Hollywood icon who defies expectations and societal norms to pursue her dreams. Reids absorbing storytelling and compelling characters transport readers to a bygone era, immersing them in a world of glamour, ambition, and self-discovery. Discover the Magic : Delia Owens "Where the Crawdads Sing" This mesmerizing coming-of-age story follows Kya Clark, a young woman who grows up alone in the marshes of North Carolina. Owens crafts a tale of resilience, survival, and the transformative power of nature, captivating readers with its evocative prose and mesmerizing setting. These top-selling novels represent just a fraction of the literary treasures that have emerged in 2023. Whether you seek tales of romance, adventure, or personal growth, the world of literature offers an abundance of compelling stories waiting to be discovered. The novel begins with Richard Papan, a bright but troubled young man, arriving at Hampden College. Richard is immediately drawn to the group of students who call themselves the Classics Club. The club is led by Henry Winter, a brilliant and charismatic young man. Henry is obsessed with Greek mythology and philosophy, and he quickly draws Richard into his world. The other members of the Classics Club are equally as fascinating. Bunny Corcoran is a wealthy and spoiled young man who is always looking for a good time. Charles Tavis is a quiet and reserved young man who is deeply in love with Henry. Camilla Macaulay is a beautiful and intelligent young woman who is drawn to the power and danger of the Classics Club. The students are all deeply in love with Morrow, and they are willing to do anything to please him. Morrow is a complex and mysterious figure, and he seems to be manipulating the students for his own purposes. As the students become more involved with Morrow, they begin to commit increasingly dangerous acts. The Secret History is a brilliant and gripping novel that will keep you speculating until the very end. The novel is a warning tale about the dangers of obsession and the power of evil.

https://py.bijouxmedusa.com/About/uploaded-files/fetch.php/Startups_87_2332_Wearable_Technology_Tools_For_Entrepreneurs_87_465.pdf

Table of Contents Objective Questions Answers In Lathe Machine

1. Understanding the eBook Objective Questions Answers In Lathe Machine
 - The Rise of Digital Reading Objective Questions Answers In Lathe Machine
 - Advantages of eBooks Over Traditional Books
2. Identifying Objective Questions Answers In Lathe Machine
 - Exploring Different Genres
 - Considering Fiction vs. Non-Fiction
 - Determining Your Reading Goals
3. Choosing the Right eBook Platform
 - Popular eBook Platforms
 - Features to Look for in an Objective Questions Answers In Lathe Machine
 - User-Friendly Interface
4. Exploring eBook Recommendations from Objective Questions Answers In Lathe Machine
 - Personalized Recommendations
 - Objective Questions Answers In Lathe Machine User Reviews and Ratings
 - Objective Questions Answers In Lathe Machine and Bestseller Lists
5. Accessing Objective Questions Answers In Lathe Machine Free and Paid eBooks
 - Objective Questions Answers In Lathe Machine Public Domain eBooks
 - Objective Questions Answers In Lathe Machine eBook Subscription Services
 - Objective Questions Answers In Lathe Machine Budget-Friendly Options
6. Navigating Objective Questions Answers In Lathe Machine eBook Formats
 - ePub, PDF, MOBI, and More
 - Objective Questions Answers In Lathe Machine Compatibility with Devices
 - Objective Questions Answers In Lathe Machine Enhanced eBook Features
7. Enhancing Your Reading Experience
 - Adjustable Fonts and Text Sizes of Objective Questions Answers In Lathe Machine
 - Highlighting and Note-Taking Objective Questions Answers In Lathe Machine
 - Interactive Elements Objective Questions Answers In Lathe Machine
8. Staying Engaged with Objective Questions Answers In Lathe Machine

- Joining Online Reading Communities
 - Participating in Virtual Book Clubs
 - Following Authors and Publishers Objective Questions Answers In Lathe Machine
9. Balancing eBooks and Physical Books Objective Questions Answers In Lathe Machine
- Benefits of a Digital Library
 - Creating a Diverse Reading Collection Objective Questions Answers In Lathe Machine
10. Overcoming Reading Challenges
- Dealing with Digital Eye Strain
 - Minimizing Distractions
 - Managing Screen Time
11. Cultivating a Reading Routine Objective Questions Answers In Lathe Machine
- Setting Reading Goals Objective Questions Answers In Lathe Machine
 - Carving Out Dedicated Reading Time
12. Sourcing Reliable Information of Objective Questions Answers In Lathe Machine
- Fact-Checking eBook Content of Objective Questions Answers In Lathe Machine
 - Distinguishing Credible Sources
13. Promoting Lifelong Learning
- Utilizing eBooks for Skill Development
 - Exploring Educational eBooks
14. Embracing eBook Trends
- Integration of Multimedia Elements
 - Interactive and Gamified eBooks

Objective Questions Answers In Lathe Machine Introduction

In today's digital age, the availability of Objective Questions Answers In Lathe Machine books and manuals for download has revolutionized the way we access information. Gone are the days of physically flipping through pages and carrying heavy textbooks or manuals. With just a few clicks, we can now access a wealth of knowledge from the comfort of our own homes or on the go. This article will explore the advantages of Objective Questions Answers In Lathe Machine books and manuals for download, along with some popular platforms that offer these resources. One of the significant advantages of Objective Questions Answers In Lathe Machine books and manuals for download is the cost-saving aspect. Traditional books and

manuals can be costly, especially if you need to purchase several of them for educational or professional purposes. By accessing Objective Questions Answers In Lathe Machine versions, you eliminate the need to spend money on physical copies. This not only saves you money but also reduces the environmental impact associated with book production and transportation. Furthermore, Objective Questions Answers In Lathe Machine books and manuals for download are incredibly convenient. With just a computer or smartphone and an internet connection, you can access a vast library of resources on any subject imaginable. Whether you're a student looking for textbooks, a professional seeking industry-specific manuals, or someone interested in self-improvement, these digital resources provide an efficient and accessible means of acquiring knowledge. Moreover, PDF books and manuals offer a range of benefits compared to other digital formats. PDF files are designed to retain their formatting regardless of the device used to open them. This ensures that the content appears exactly as intended by the author, with no loss of formatting or missing graphics. Additionally, PDF files can be easily annotated, bookmarked, and searched for specific terms, making them highly practical for studying or referencing. When it comes to accessing Objective Questions Answers In Lathe Machine books and manuals, several platforms offer an extensive collection of resources. One such platform is Project Gutenberg, a nonprofit organization that provides over 60,000 free eBooks. These books are primarily in the public domain, meaning they can be freely distributed and downloaded. Project Gutenberg offers a wide range of classic literature, making it an excellent resource for literature enthusiasts. Another popular platform for Objective Questions Answers In Lathe Machine books and manuals is Open Library. Open Library is an initiative of the Internet Archive, a non-profit organization dedicated to digitizing cultural artifacts and making them accessible to the public. Open Library hosts millions of books, including both public domain works and contemporary titles. It also allows users to borrow digital copies of certain books for a limited period, similar to a library lending system. Additionally, many universities and educational institutions have their own digital libraries that provide free access to PDF books and manuals. These libraries often offer academic texts, research papers, and technical manuals, making them invaluable resources for students and researchers. Some notable examples include MIT OpenCourseWare, which offers free access to course materials from the Massachusetts Institute of Technology, and the Digital Public Library of America, which provides a vast collection of digitized books and historical documents. In conclusion, Objective Questions Answers In Lathe Machine books and manuals for download have transformed the way we access information. They provide a cost-effective and convenient means of acquiring knowledge, offering the ability to access a vast library of resources at our fingertips. With platforms like Project Gutenberg, Open Library, and various digital libraries offered by educational institutions, we have access to an ever-expanding collection of books and manuals. Whether for educational, professional, or personal purposes, these digital resources serve as valuable tools for continuous learning and self-improvement. So why not take advantage of the vast world of Objective Questions Answers In Lathe Machine books and manuals for download and embark on your journey of

knowledge?

FAQs About Objective Questions Answers In Lathe Machine Books

How do I know which eBook platform is the best for me? Finding the best eBook platform depends on your reading preferences and device compatibility. Research different platforms, read user reviews, and explore their features before making a choice. Are free eBooks of good quality? Yes, many reputable platforms offer high-quality free eBooks, including classics and public domain works. However, make sure to verify the source to ensure the eBook credibility. Can I read eBooks without an eReader? Absolutely! Most eBook platforms offer web-based readers or mobile apps that allow you to read eBooks on your computer, tablet, or smartphone. How do I avoid digital eye strain while reading eBooks? To prevent digital eye strain, take regular breaks, adjust the font size and background color, and ensure proper lighting while reading eBooks. What the advantage of interactive eBooks? Interactive eBooks incorporate multimedia elements, quizzes, and activities, enhancing the reader engagement and providing a more immersive learning experience. Objective Questions Answers In Lathe Machine is one of the best book in our library for free trial. We provide copy of Objective Questions Answers In Lathe Machine in digital format, so the resources that you find are reliable. There are also many Ebooks of related with Objective Questions Answers In Lathe Machine. Where to download Objective Questions Answers In Lathe Machine online for free? Are you looking for Objective Questions Answers In Lathe Machine PDF? This is definitely going to save you time and cash in something you should think about.

Find Objective Questions Answers In Lathe Machine :

startups 87-2332 wearable technology tools for entrepreneurs 87-465

United States 87-2519 sustainable living tools for entrepreneurs 87-91

blockchain development software United States 87-424 blockchain

learning basics explained for startups 87-1501 machine learning basics

87-1248 crypto trading review for entrepreneurs 87-2703 crypto trading

SEO strategy blueprint USA 87-2887 SEO strategy checklist for creators

case study United States 87-2281 budget travel case study for small

tech ideas USA 87-1845 smart home tech ideas for small business 87-1077

entrepreneurs 87-1024 self improvement roadmap USA 87-1203 self

87-2165 real estate investing guide United States 87-1538 real estate small business 87-1481 retirement planning ideas USA 87-1330 retirement startups 87-2339 home organization guide America 87-1688 home comparison America 87-1445 smart home tech comparison for startups review America 87-1820 mobile app ideas review USA 87-2344 mobile app strategies for small business 87-295 self improvement tips United States

Objective Questions Answers In Lathe Machine :

el verano en que me enamoré serie 2022 sensacine com - Dec 20 2021

web el verano en que me enamoré es una serie de jenny han con lola tung belly jackie chung laurel encuentra todos los detalles de las 3 temporadas y de los 25 episodios

el verano que me llevo a ti premio literario amaz copy - Mar 03 2023

web jan 23 2023 el verano que me llevo a ti premio literario amaz 1 el verano que me llevo a ti premio literario amaz when people should go to the book stores search

el verano que me llevo a ti premio literario amaz full pdf - Jun 25 2022

web el verano que me llevo a ti premio literario amaz downloaded from beta yellowwoodstore com by guest west bryan a spanish grammar editorial cultiva

el verano que me llevó a ti premio literario amazon 2019 una - Jan 01 2023

web pienso en el camino que me lleva a ti carta para pedir amor de verano el punto letras mus br lo que el viento se llevo otoño la forma en que te acercas la mano a la boca dice mucho reseña el verano que me llevó a ti el verano que me llevó a ti premio literario 2019 los contratos sanitarios que el verano se llevó la revista la puerta

el verano que me llevo a ti premio literario amaz - Jan 21 2022

web el verano que me llevo a ti premio literario amaz yeah reviewing a ebook el verano que me llevo a ti premio literario amaz could ensue your close friends listings this

el verano que me llevó a ti premio literario amazon 2019 una - Sep 09 2023

web el verano que me llevó a ti premio literario amazon 2019 una novela lgtb sobre amores de verano dani y marcos reverté villar patricia amazon es libros

el verano que me llevó a ti dani y marcos nº 1 amazon es - Jun 06 2023

web el verano que me llevó a ti dani y marcos nº 1 versión kindle aquel mes de agosto me regaló muchas primeras veces mi primera vez de acampada mi primera escapada de

[el verano que me llevo a ti premio literario amaz copy](#) - Apr 23 2022

web mar 19 2023 el verano que me llevo a ti premio literario amaz 2 9 downloaded from uniport edu ng on march 19 2023 by guest durante el período de tiempo representado

el verano que me llevo a ti premio literario amaz pdf - Nov 18 2021

web may 18 2023 el verano que me llevo a ti premio literario amaz 1 10 downloaded from uniport edu ng on may 18 2023 by guest el verano que me llevo a ti premio

[libro el verano que me llevó a ti premio literario ama 51kd](#) - Feb 02 2023

web 51kdk2stitulo el verano que me llevó a ti premio literario amazon 2019 una novela lgtb sobre amores de verano spanish edition autor patricia reverté villaridioma

[el verano que me llevo a ti premio literario amaz pdf](#) - May 05 2023

web el verano que me llevo a ti premio literario amaz alai la bruja de umbe la perplejidad del quetzal obras novísima edición ilustrada contiene la galatea

el verano que me llevo a ti premio literario amaz full pdf - Jul 27 2022

web el verano que me llevo a ti premio literario amaz mexican women and the other side of immigration feb 09 2023 weaving narratives with gendered analysis and

el verano que me llevo a ti premio literario amaz pdf - Feb 19 2022

web may 23 2023 el verano que me llevo a ti premio literario amaz 2 8 downloaded from uniport edu ng on may 23 2023 by guest magia en la nieve sarah morgan 2015 10 29

el verano que me llevo a ti premio literario amaz download - Oct 30 2022

web 2 el verano que me llevo a ti premio literario amaz 2023 06 20 cuando alai la vieja bruja despertó sobresaltada no recordaba nada no sabía dónde estaba ni quien era ni

el verano que me llevó a ti premio literario amazon 2019 una - Oct 10 2023

web el verano que me llevó a ti premio literario amazon 2019 una novela lgtb sobre amores de verano dani y marcos band 1 reverté villar patricia amazon com tr kitap

el verano que me llevo a ti premio literario amaz 2023 - May 25 2022

web el verano que me llevo a ti premio literario amaz 63 dias todos frente al espejo donde se acaba el norte el verano que inventamos la nieve gringoismos mi vida a 40

amazon es opiniones de clientes el verano que me llevó a ti - Apr 04 2023

web vea reseñas y calificaciones de reseñas que otros clientes han escrito de el verano que me llevó a ti premio literario amazon 2019 una novela lgtb sobre amores de verano

el verano que me llevo a ti premio literario amaz pdf copy - Nov 30 2022

web apr 25 2023 el verano que me llevo a ti premio literario amaz pdf is available in our book collection an online access to it is set as public so you can download it instantly

el verano que me llevo a ti premio literario amaz 2022 app - Aug 28 2022

web el verano que me llevo a ti premio literario amaz 5 5 decisiones que toman los hombres de su círculo familiar una tarde de sábado carolina es abordada por su abuela quien comienza a revelarle la verdad sobre sus antepasados esta narración se extiende por meses y en ella se intercalan hechos que ocurrieron hace unos cien años con otros

el verano que me llevo a ti premio literario amaz full pdf - Sep 28 2022

web el verano que me llevo a ti premio literario amaz downloaded from stage gapinc com by guest barron anna río arriba heinemann en los relatos de dunsany las

el verano que me llevo a ti premio literario amaz - Mar 23 2022

web proclamation el verano que me llevo a ti premio literario amaz that you are looking for it will unquestionably squander the time however below past you visit this web

el verano que me llevó a ti premio literario amazon 2019 una - Jul 07 2023

web el verano que me llevó a ti premio literario amazon 2019 una novela lgtb sobre amores de verano spanish edition reverté villar patricia amazon com mx libros

el verano que me llevó a ti premio literario amazon 2019 - Aug 08 2023

web el verano que me llevó a ti premio literario amazon 2019 una novela lgtb sobre amores de verano

5 sınıf matematik soru bankası mozaik yayınları - Dec 29 2022

web 118 15 tl 15 İndirim daha fazla mozaik yayınları daha fazla 5 sınıf matematik adet sepete ekle 23 10 2023 tarihine kadar kargoda listeye ekle yorum yap fiyat alarmı

mathemagic book categories cj fallon - Apr 01 2023

web what are the main features of mathemagic complete coverage of the mathematics curriculum logical sequence and presentation regular revision through look back pages and chapters interest level and fun element with regular solve the puzzles pages consolidation through carefully planned shadow books are there support materials yes

ncert solutions for class 5 maths free chapterwise pdf - Jun 03 2023

web maths ncert solutions for class 5 explain all the basic concepts like large numbers factors h c f and l c m tests of divisibility fractions decimals averages percentages simple interest profit and loss time unitary method metric measures bills temperature geometry and more

mathemagic 5 answers pdf form signnow - May 22 2022

web mathemagic 5 answers pdf jan 15 2020 only simple props required from playing cards and matches to coins no magic or mathematical skills needed no magic or mathematical skills needed olympiad ehf

[cj fallon resources](#) - Jun 22 2022

web buncheim a audio cd 1 rian 17 page 14 bun go barr bunchéim a buncheim a audio cd 1 rian 18 page 14 bun go barr bunchéim a buncheim a audio cd 1 rian 19 page 14 bun go barr bunchéim a buncheim a audio cd 1 rian 20 page 14 here you will see a list of all resources in the cj fallon library organised by book series

[mathemagic 5 answers pdf fill online printable fillable blank](#) - May 02 2023

web 01 start by opening the maformmagic 5 answers pdf file on your device 02 read through the instructions provided at the beginning of the form to familiarize yourself with the requirements 03 begin filling out the form by entering your personal information in the designated fields

a complete numeracy programme for primary - Jul 24 2022

web 5 six thousand and eighty one 6 nine thousand and nine topic place value page 10 a 1 2 ten thousands 1 thousand 8 hundreds 7 tens 9 units t th th h t u 2 1 8 7 9 2 6 ten thousands 7 thousands 4 hundreds 0 tens 0 units t th th h t u 6 7 4 0 0 3 5 ten thousands 4 thousands 0 hundreds 6 tens 5 units t th th h t u 5 4

[ncert solutions for class 5 maths math magic learn cbse](#) - Oct 07 2023

web ncert solutions for class 5 maths math magic workbook pdf worksheets notes questions and answers solved by expert mathematics teachers from latest edition books and as per ncert cbse guidelines

[ncert class 5 math magic book download ncert textbooks for class 5](#) - Aug 25 2022

web jan 28 2021 for students convenience we have here compiled all the study material that is being needed for the 5 math magic class exam preparation so go through this complete article and access the textbooks for free chapter 1 the fish tale chapter 2 shapes and angles chapter 3 how many squares chapter 4 parts and wholes

[mathemagic 5th class chapter 45 look back answers](#) - Jan 30 2023

web mathemagic 5th class chapter 45 look back answers week 15th june rusheen national school home mathemagic 5th class chapter 45 look back answers week 15th june

[ncert class 5 book for math magic pdf selfstudys](#) - Nov 27 2022

web math magic ncert class 5 book for math magic pdf free pdf download 1 01 the fish tale 2 02 shapes and angles 3 03 how many squares 4 04 parts and wholes 5 05 does it look the same 6 06 be my muliple i ll be your factor 7 07 can you see the pattern 8 08 mapping your way 9 09 boxes and sketches 10 10 tenths and

5 sınıf matematik testleri Çöz - Feb 28 2023

web jul 6 2011 5 sınıf matematik konusunda bu sene müfredatına göre hazırladığımız özenle seçilmiş bilgi birikiminizi

artırmaya yönelik her seviyeye göre soruları bu sayfada topladık toplamda tamı tamına 194 test ve yaklaşık 2089 soruyu tamamiyle ücretsiz olarak çözebileceksiniz

[ncert solutions for class 5 maths best for annual exam](#) - Apr 20 2022

web dec 23 2021 article ncert solutions for class 9 12 ncert solutions for class 5 maths best for annual exam preparations 2021 22 ncert solutions for class 5 maths are available here in pdf format

[mycjfallon mathemagic 5](#) - Sep 06 2023

web jump to page go mathemagic 5

5 sınıf matematik ders kitabı meb evvel cevap - Aug 05 2023

web sınıf matematik ders kitabı cevapları meb yayınları nı hazırladık 5 sınıf matematik ders kitabı meb matematik zekasıyla düşünmeyi bilen kişilerin özelliklerinden biraz bahsedersen bilim ve teknoloji bilim teknoloji mühendislik ve matematik stem alanlarının temelini matematik oluşturur

page 1 d dromns - Sep 25 2022

web ii answer 203 b i estimate 1 000 600 1 600 ii answer 1 604 c i estimate 900 700 1 600 ii answer 1 598 d i estimate 4 000 7000 11 000 ii answer 10 975 3 a i estimate 100 70 170 ii answer 170 years b i estimate 100 100 200 ii answer 198 years

page 13 1 nearest 10 nearest 100 nearest

[5 sınıf matematik testleri Çöz yeni sorular](#) - Jul 04 2023

web 5 sınıf matematik test Çöz yeni nesil sorulardan oluşan 5 sınıf matematik testleri online çöz ve sınavlara hazırlan cevaplı ve çözümlü farklı soru tiplerinden oluşan testleri süreli ve puanlı şekilde çözerek konuları tekrar et

[mathematics year 5 answers serena alexander david hillard](#) - Mar 20 2022

web nov 28 2014 serena alexander david hillard hodder education nov 28 2014 mathematics 112 pages features the complete set of answers to the exercises in mathematics year 5 as well as a selection of

5 sınıf meb matematik ders kitabı cevapları evvel cevap - Oct 27 2022

web 5 sınıf meb yayınları matematik ders kitabı cevapları 2023 2024 eğitim Öğretim yılında ortaokul ve İmam hatip ortaokulları için milli eğitim bakanlığımız yeni bir matematik ders kitabı hazırladı hazırlanan matematik kitabı 1 ve 2 kitap olarak 2 tane basıldı 460 sayfa olarak hazırlana kitabı öğretmenlerimiz

[ncert solutions for class 5 maths chapter 11 area and its boundary](#) - Feb 16 2022

web jul 30 2016 ans you can divide the area of piece b into 33 boxes of 1 square cm so area of b is 33 square cm 4 who had the bigger piece how much bigger ans piece b had the bigger area by 33 30 3 square cm cover with stamps 1 the stamp has an area of 4 square cm guess how many such stamps will cover this big rectangle ans

[financial markets and institutions anthony saunders marcia](#) - Jun 13 2023

web financial markets and institutions financial markets and institutions 5e offers a unique analysis of the risks faced by investors and savers interacting through financial

financial markets and institutions 5th edition abebooks - Feb 09 2023

web abebooks com financial markets and institutions 5th edition connect access card 9780077893095 by saunders anthony cornett marcia and a great selection of similar new used and collectible books available now at great prices

financial markets and institutions anthony saunders marcia - Jan 08 2023

web financial markets and institutions anthony saunders marcia millon cornett otgo erhemjamts otgontsetseg erhemjamts mcgraw hill education 2021 business economics 803 pages the

financial markets and institutions 5th edition saunders test bank - Mar 30 2022

web financial markets and institutions 5th edition saunders test bank this is not the text book you are buying test bank for financial markets and institutions 5th edition by saunders

financial markets and institutions information center - Dec 07 2022

web financial markets and institutions 5 e anthony saunders new york university marcia millon cornett bentley university isbn 0078034663 please check with your instructor or mcgraw hill learning technology representative

financial markets and institutions anthony saunders marcia - May 12 2023

web financial markets and institutions 5e offers a unique analysis of the risks faced by investors and savers interacting through financial institutions and financial markets as well

financial markets and institutions textbook solutions chegg - Oct 05 2022

web financial markets and institutions 5th edition by marcia cornett anthony saunders 576 financial markets and institutions 5th edition by marcia cornett anthony saunders 137 financial markets and institutions 6th edition by marcia cornett anthony saunders 1077 financial markets and institutions 6th edition by anthony

financial markets and institutions 6th edition anthony saunders - Jan 28 2022

web oct 27 2014 anthony saunders financial markets and institutions 6e pdf offers a unique analysis of the risks faced by savers and investors interacting through financial markets and financial institutions as well as strategies that can be adopted for managing and controlling risks

test bank for financial markets and institutions 5th edition saunders - Feb 26 2022

web may 30 2018 test bank for financial markets and institutions 5th edition saunders cornett test bank for financial markets and institutions 5th edition saunders cornett complete downloadable file at

484050291 solution manual for financial markets and institutions 5th - Aug 03 2022

web 484050291 solution manual for financial markets and institutions 5th edition by saunders doc studocu students shared

16121 documents in this course intro philo q1 mod4 the human person in their environment and social science historical antecedents of science and technology timeline of information age 1 1

financial markets and institutions 8th edition mcgraw hill - Apr 11 2023

web get the 8e of financial markets and institutions by anthony saunders marcia cornett and otgo erhemjamts textbook ebook and other options isbn 9781260772401 copyright 2022

financial markets and institutions anthony saunders marcia millon - Nov 06 2022

web aug 1 2010 financial markets and institutions 4 e offers a unique analysis of the risks faced by investors and savers interacting through financial institutions and financial markets as well as strategies that can be adopted for controlling and managing risks

financial markets and institutions 6th edition anthony saunders - Apr 30 2022

web anthony saunders financial markets and institutions 6e pdf offers a unique analysis of the risks faced by savers and investors interacting through financial markets and financial institutions as well as strategies that can be adopted for managing and controlling risks

test bank financial markets and institutions 6th edition studylib net - Dec 27 2021

web secondary markets are markets used by corporations to raise cash by issuing securities for a short time period true false 1 1 test bank financial markets and institutions 6th edition saunders 3 corporate security issuers are always directly involved in funds transfers in the secondary market true false 4

financial markets and institutions 5th edition amazon com - Jul 14 2023

web jul 13 2011 financial markets and institutions 5e offers a unique analysis of the risks faced by investors and savers interacting through financial institutions and financial markets as well as strategies that can be adopted for controlling and managing risks

solutions manual chapter one answers to chapter 1 questions - Jun 01 2022

web 1 1 full file at testbankcart eu solution manual for financial markets and institutions 5th edition by saunders decline during the market crash of 1937 1938 when it fell 49 percent however stock prices recovered along with the economy in the last half of 2009 rising 71 1 percent between march 2009 and april 2010 7

solution manual financial markets and institutions 5th edition by - Jul 02 2022

web aug 30 2018 solution manual financial markets and institutions 5th edition by anthony saunders

financial markets and institutions the mcgraw hill irwin series - Sep 04 2022

web oct 27 2014 amazon com financial markets and institutions the mcgraw hill irwin series in finance insurance and real estate 9780077861667 saunders anthony cornett marcia books books

financial markets and institutions by anthony saunders open - Mar 10 2023

web oct 28 2022 previews available in english subjects securities financial institutions rate of return stock exchanges interest rates risikomanagement kreditmarkt geldmarkt risiko kapitalmarkt kapitaalmarkt financie le instellingen capital investments places united states showing 3 featured editions

financial markets and institutions 5th edition academia edu - Aug 15 2023

web during the first half of this decade the belief that new financial products would adequately shield investors from risk encouraged financial flows to less creditworthy households and businesses by late 2006 u s financial markets were flashing warning signals of a potential financial crisis