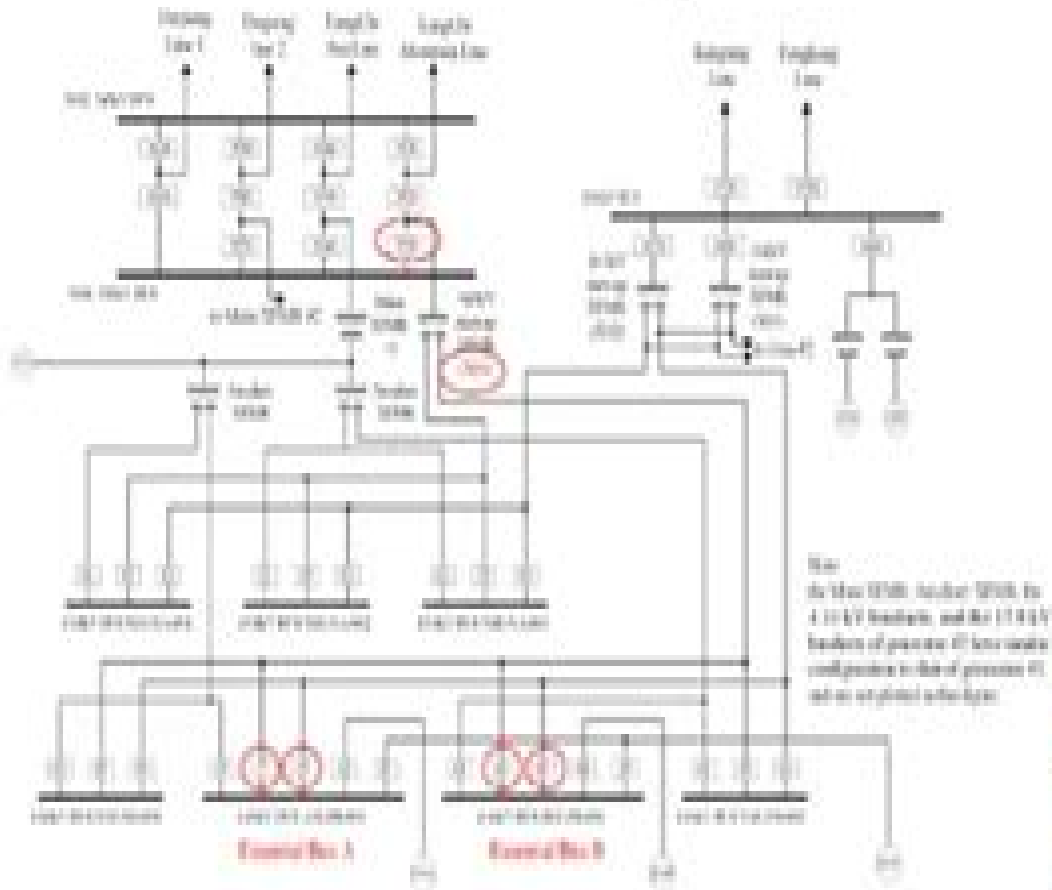


Power System Protection Systems



Basic connection diagram of protection relay



Electrical 4 U

Power Systems Protection Engineering Training Idc

Yicheng Fang



Power Systems Protection Engineering Training Idc:

Power Systems Protection, Power Quality , Practical Power System Protection Leslie Hewitson, Mark Brown, Ramesh Balakrishnan, 2005-02-28 Designed to increase understanding on a practical and theoretical basis this invaluable resource provides engineers plant operators electricians and technicians with a thorough grounding in the principles and practicalities behind power system protection Coverage of the fundamental knowledge needed to specify use and maintain power protection systems is included helping readers to increase plant efficiency performance and safety Consideration is also given to the practical techniques and engineering challenges encountered on a day to day basis making this an essential resource for all

Telecommunication Economics Antonis M. Hadjiantonis, Burkhard Stiller, 2012-04-27 This book constitutes a collaborative and selected documentation of the scientific outcome of the European COST Action IS0605 Econ Tel A Telecommunications Economics COST Network which run from October 2007 to October 2011 Involving experts from around 20 European countries the goal of Econ Tel was to develop a strategic research and training network among key people and organizations in order to enhance Europe s competence in the field of telecommunications economics Reflecting the organization of the COST Action IS0605 Econ Tel in working groups the following four major research areas are addressed evolution and regulation of communication ecosystems social and policy implications of communication technologies economics and governance of future networks future networks management architectures and mechanisms

Personal Computers and Digital Signal Processing , **Formulas and Conversions** , Communications, Industrial Networking and TCP/IP , 2012 **Practical Power Systems Protection for Engineers and Technicians** , 200? IEEE Industrial & Commercial Power Systems Technical Conference , 1984 *Electric Light and Power* , 1948 **The Journal of the Chartered Institution of Building Services** Chartered Institution of Building Services, 1983 *Building Services* , 1985-05 **ASHRAE Journal** , 1992 IEEE Conference Record of ... Industrial and Commercial Power Systems Technical Conference , 1984 UNDOC, Current Index , 1996 IEEE Membership Directory Institute of Electrical and Electronics Engineers, 2001 *Subject Guide to Microforms in Print* Albert James Diaz, 1977 **Scientific and Technical Organizations and Agencies Directory** Peter D. Dresser, 1994 **Thomas Register** , 2004 **Western Electrician** , 1894 The Engineer , 1916

Delve into the emotional tapestry woven by Crafted by in Dive into the Emotion of **Power Systems Protection Engineering Training Idc** . This ebook, available for download in a PDF format (*), is more than just words on a page; it is a journey of connection and profound emotion. Immerse yourself in narratives that tug at your heartstrings. Download now to experience the pulse of each page and let your emotions run wild.

<https://py.bijouxmedusa.com/results/Resources/Documents/small%20business%2084%201157%20instagram%20growth%20comparison%20for%20small%20business.pdf>

Table of Contents Power Systems Protection Engineering Training Idc

1. Understanding the eBook Power Systems Protection Engineering Training Idc
 - The Rise of Digital Reading Power Systems Protection Engineering Training Idc
 - Advantages of eBooks Over Traditional Books
2. Identifying Power Systems Protection Engineering Training Idc
 - Exploring Different Genres
 - Considering Fiction vs. Non-Fiction
 - Determining Your Reading Goals
3. Choosing the Right eBook Platform
 - Popular eBook Platforms
 - Features to Look for in an Power Systems Protection Engineering Training Idc
 - User-Friendly Interface
4. Exploring eBook Recommendations from Power Systems Protection Engineering Training Idc
 - Personalized Recommendations
 - Power Systems Protection Engineering Training Idc User Reviews and Ratings
 - Power Systems Protection Engineering Training Idc and Bestseller Lists
5. Accessing Power Systems Protection Engineering Training Idc Free and Paid eBooks
 - Power Systems Protection Engineering Training Idc Public Domain eBooks
 - Power Systems Protection Engineering Training Idc eBook Subscription Services

- Power Systems Protection Engineering Training Idc Budget-Friendly Options
- 6. Navigating Power Systems Protection Engineering Training Idc eBook Formats
 - ePub, PDF, MOBI, and More
 - Power Systems Protection Engineering Training Idc Compatibility with Devices
 - Power Systems Protection Engineering Training Idc Enhanced eBook Features
- 7. Enhancing Your Reading Experience
 - Adjustable Fonts and Text Sizes of Power Systems Protection Engineering Training Idc
 - Highlighting and Note-Taking Power Systems Protection Engineering Training Idc
 - Interactive Elements Power Systems Protection Engineering Training Idc
- 8. Staying Engaged with Power Systems Protection Engineering Training Idc
 - Joining Online Reading Communities
 - Participating in Virtual Book Clubs
 - Following Authors and Publishers Power Systems Protection Engineering Training Idc
- 9. Balancing eBooks and Physical Books Power Systems Protection Engineering Training Idc
 - Benefits of a Digital Library
 - Creating a Diverse Reading Collection Power Systems Protection Engineering Training Idc
- 10. Overcoming Reading Challenges
 - Dealing with Digital Eye Strain
 - Minimizing Distractions
 - Managing Screen Time
- 11. Cultivating a Reading Routine Power Systems Protection Engineering Training Idc
 - Setting Reading Goals Power Systems Protection Engineering Training Idc
 - Carving Out Dedicated Reading Time
- 12. Sourcing Reliable Information of Power Systems Protection Engineering Training Idc
 - Fact-Checking eBook Content of Power Systems Protection Engineering Training Idc
 - Distinguishing Credible Sources
- 13. Promoting Lifelong Learning
 - Utilizing eBooks for Skill Development
 - Exploring Educational eBooks
- 14. Embracing eBook Trends

- Integration of Multimedia Elements
- Interactive and Gamified eBooks

Power Systems Protection Engineering Training Idc Introduction

In the digital age, access to information has become easier than ever before. The ability to download Power Systems Protection Engineering Training Idc has revolutionized the way we consume written content. Whether you are a student looking for course material, an avid reader searching for your next favorite book, or a professional seeking research papers, the option to download Power Systems Protection Engineering Training Idc has opened up a world of possibilities. Downloading Power Systems Protection Engineering Training Idc provides numerous advantages over physical copies of books and documents. Firstly, it is incredibly convenient. Gone are the days of carrying around heavy textbooks or bulky folders filled with papers. With the click of a button, you can gain immediate access to valuable resources on any device. This convenience allows for efficient studying, researching, and reading on the go. Moreover, the cost-effective nature of downloading Power Systems Protection Engineering Training Idc has democratized knowledge. Traditional books and academic journals can be expensive, making it difficult for individuals with limited financial resources to access information. By offering free PDF downloads, publishers and authors are enabling a wider audience to benefit from their work. This inclusivity promotes equal opportunities for learning and personal growth. There are numerous websites and platforms where individuals can download Power Systems Protection Engineering Training Idc. These websites range from academic databases offering research papers and journals to online libraries with an expansive collection of books from various genres. Many authors and publishers also upload their work to specific websites, granting readers access to their content without any charge. These platforms not only provide access to existing literature but also serve as an excellent platform for undiscovered authors to share their work with the world. However, it is essential to be cautious while downloading Power Systems Protection Engineering Training Idc. Some websites may offer pirated or illegally obtained copies of copyrighted material. Engaging in such activities not only violates copyright laws but also undermines the efforts of authors, publishers, and researchers. To ensure ethical downloading, it is advisable to utilize reputable websites that prioritize the legal distribution of content. When downloading Power Systems Protection Engineering Training Idc, users should also consider the potential security risks associated with online platforms. Malicious actors may exploit vulnerabilities in unprotected websites to distribute malware or steal personal information. To protect themselves, individuals should ensure their devices have reliable antivirus software installed and validate the legitimacy of the websites they are downloading from. In conclusion, the ability to download Power Systems Protection Engineering Training Idc has transformed the way we access information. With the convenience, cost-effectiveness, and accessibility it offers, free PDF downloads have become a popular

choice for students, researchers, and book lovers worldwide. However, it is crucial to engage in ethical downloading practices and prioritize personal security when utilizing online platforms. By doing so, individuals can make the most of the vast array of free PDF resources available and embark on a journey of continuous learning and intellectual growth.

FAQs About Power Systems Protection Engineering Training Idc Books

What is a Power Systems Protection Engineering Training Idc PDF? A PDF (Portable Document Format) is a file format developed by Adobe that preserves the layout and formatting of a document, regardless of the software, hardware, or operating system used to view or print it. **How do I create a Power Systems Protection Engineering Training Idc PDF?** There are several ways to create a PDF: Use software like Adobe Acrobat, Microsoft Word, or Google Docs, which often have built-in PDF creation tools. Print to PDF: Many applications and operating systems have a "Print to PDF" option that allows you to save a document as a PDF file instead of printing it on paper. Online converters: There are various online tools that can convert different file types to PDF. **How do I edit a Power Systems Protection Engineering Training Idc PDF?** Editing a PDF can be done with software like Adobe Acrobat, which allows direct editing of text, images, and other elements within the PDF. Some free tools, like PDFescape or Smallpdf, also offer basic editing capabilities. **How do I convert a Power Systems Protection Engineering Training Idc PDF to another file format?** There are multiple ways to convert a PDF to another format: Use online converters like Smallpdf, Zamzar, or Adobe Acrobat's export feature to convert PDFs to formats like Word, Excel, JPEG, etc. Software like Adobe Acrobat, Microsoft Word, or other PDF editors may have options to export or save PDFs in different formats. **How do I password-protect a Power Systems Protection Engineering Training Idc PDF?** Most PDF editing software allows you to add password protection. In Adobe Acrobat, for instance, you can go to "File" -> "Properties" -> "Security" to set a password to restrict access or editing capabilities. Are there any free alternatives to Adobe Acrobat for working with PDFs? Yes, there are many free alternatives for working with PDFs, such as: LibreOffice: Offers PDF editing features. PDFsam: Allows splitting, merging, and editing PDFs. Foxit Reader: Provides basic PDF viewing and editing capabilities. How do I compress a PDF file? You can use online tools like Smallpdf, ILovePDF, or desktop software like Adobe Acrobat to compress PDF files without significant quality loss. Compression reduces the file size, making it easier to share and download. Can I fill out forms in a PDF file? Yes, most PDF viewers/editors like Adobe Acrobat, Preview (on Mac), or various online tools allow you to fill out forms in PDF files by selecting text fields and entering information. Are there any restrictions when working with PDFs? Some PDFs might have restrictions set by their creator, such as password protection, editing restrictions, or print restrictions. Breaking these restrictions might require specific software or tools, which may or may not be legal depending on the circumstances and local laws.

Find Power Systems Protection Engineering Training Idc :

[small business 84-1157 Instagram growth comparison for small business](#)
[business 84-650 stock market tools for startups 84-1598 stock market](#)
[study for entrepreneurs 84-1853 blog monetization checklist USA 84-2507](#)
automation ideas America 84-1173 business automation ideas America
[recipes best practices USA 84-2363 healthy recipes best practices USA](#)
[USA 84-2805 sustainable living examples United States 84-2708](#)
[84-1575 sustainable living blueprint USA 84-263 sustainable living](#)
[personal finance review for entrepreneurs 84-2543 personal finance](#)
[weight loss guide for entrepreneurs 84-2088 weight loss guide for](#)
beginners for startups 84-726 stock market guide for small business
explained for entrepreneurs 84-110 mobile app ideas explained for
[84-2436 smart home tech ideas America 84-1376 smart home tech ideas](#)
[business 84-592 NFT marketplace software for startups 84-1104 NFT](#)
[development ideas for entrepreneurs 84-286 chatbot development review](#)
[ideas strategies for startups 84-2263 small business ideas tips for](#)

Power Systems Protection Engineering Training Idc :

[african nights entertainment by cyprian ekwensi ce - Sep 04 2022](#)
web follow this tale of love desire and vengeance as told by africa s renowned author cyprian ekwensi famous african writer
cyprian ekwensi was from anambra state nigeria he wrote several african books novels children s stories
pdf african nights entertainment book full download pdfneed - Jul 14 2023
web book synopsis an african night s entertainment by cyprian ekwensi download or read book an african night s
entertainment written by cyprian ekwensi and published by this book was released on 1962 with total page 104 pages
available in
an african night s entertainment ekwensi cyprian - Feb 26 2022
web jul 4 2023 an african night s entertainment ekwensi cyprian on amazon com free shipping on qualifying offers an
african night s entertainment
[an african night s entertainment by cyprian ekwensi open library - Jan 08 2023](#)

web apr 28 2011 0602219329 9780602219321 aaaa not in library libraries near you worldcat 1 an african night s entertainment 1971 african universities press in english new ed rev 0410800341 9780410800346

an african night s entertainment by cyprian ekwensi open library - Dec 07 2022

web an african night s entertainment by cyprian ekwensi 1971 african universities press edition in english new ed rev

an african night s entertainment wikiwand - Aug 03 2022

web an african night s entertainment is a 1962 folktale novel by nigerian author cyprian ekwensi

an african night s entertainment by cyprian ekwensi - Feb 09 2023

web an african night s entertainment by cyprian ekwensi a story of desire and vengeance this book starts with the longing of a wealthy man called shehu for a child of his own and continues with the obsessive search by abu bakir for revenge on shehu for luring away the woman he was to marry

an african night s entertainment a book by cyprian ekwensi - Mar 30 2022

web put your money on this sheepskin said the old man and if by the time i finish my tale there is one of you awake that man shall claim everything we have collected follow this tale of love desire and vengeance as told by africa s renowned author cyprian ekwensi

an african night s entertainment a tale of vengeance google - Jun 13 2023

web an african night s entertainment a tale of vengeance an african night s entertainment cyprian ekwensi african universities press 1962 african fiction english 96

an african night s entertainment african readers library - Jun 01 2022

web buy an african night s entertainment african readers library by ekwensi cyprian onobrakpeya bruce isbn 9781868590100 from amazon s book store everyday low prices and free delivery on eligible orders

an african night s entertainment by ekwensi cyprian very - Dec 27 2021

web apr 13 2020 title an african night s entertainment publisher african universities press lagos publication date 1962 binding hardcover condition very good edition 1st edition

african nights entertainment by cyprian ekwensi abebooks - Jul 02 2022

web an african night s entertainment by ekwensi cyprian and a great selection of related books art and collectibles available now at abebooks com

an african night s entertainment by cyprian ekwensi paperback - Apr 30 2022

web jul 4 2023 an african night s entertainment 88 by cyprian ekwensi view more paperback second 14 99 paperback second 14 99

an african night s entertainment wikipedia - Aug 15 2023

web an african night s entertainment author cyprian ekwensi country nigeria language english genre fiction published 1962 publisher african universities press pages 96

cyprian ekwensi wikipedia - Apr 11 2023

web an african night s entertainment 1948 the boa suitor 1949 the leopard s claw 1950 people of the city london andrew dakkers 1954 the drummer boy 1960 the passport of mallam ilia written 1948 published 1960 jagua nana 1961 burning grass 1961 an african night s entertainment 1962 beautiful feathers novel london hutchinson

an african night s entertainment a tale of vengeance google - May 12 2023

web an african night s entertainment a tale of vengeance an african night s entertainment cyprian ekwensi african universities press 1962 african literature english 96 pages

an african night s entertainment cyprian ekwensi google books - Mar 10 2023

web an african night s entertainment cyprian ekwensi john murray 1996 father and child 91 pages a story of desire and vengeance this book starts with the longing of a wealthy man called

an african night s entertainment african readers library - Nov 06 2022

web oct 25 1996 an african night s entertainment african readers library by cyprian ekwensi october 25 1996 hodder murray edition hardcover new ed edition

an african night s entertainment a tale of vengeance google - Oct 05 2022

web an african night s entertainment a tale of vengeance cyprian ekwensi african universities press 1962 africa sub saharan 96 pages 0 reviews reviews aren t verified but google checks for and removes fake content when it s identified

an african nights entertainment cyprian ekwensi - Jan 28 2022

web jan 1 2000 an african nights entertainment paperback january 1 2000 by cyprian ekwensi author new to amazon see all formats and editions

anthropologie philosophique lfilo1170 université catholique de - Mar 13 2023

web le cours introduit à quelques grands thèmes de l anthropologie philosophique en liant ceux ci à l histoire de la philosophie au développement des sciences et aux

1 cours anthropologie introduction à l anthropologie studocu - Jun 04 2022

web l anthropologie la connaissance sur l autre l anthropologie volonté de connaissance de l autre au centre de sa démarche les différences par lesquelles les sociétés ce

anthropologie philosophique wikipédia - Jun 16 2023

l anthropologie philosophique est un courant de pensée elle réunit des philosophes des anthropologues et des sociologues autour d un projet intellectuel d analyse anthropologique ce mouvement a eu une influence déterminante dans le paysage

intellectuel allemand du xx siècle cette école marque un tournant anthropologique décisif en philosophie elle se montre critique envers la tradition idéaliste et le dualisme corps esprit cartésien au profit d'une conception de l'homme

[introduction à l'anthropologie philosophique](#) - Nov 28 2021

web this on line notice introduction à l'anthropologie philosophique as well as evaluation them wherever you are now an essay on man ernst cassirer 2021 first published in

qu'est-ce que l'être humain introduction à l'anthropologie - May 15 2023

web introduction à l'anthropologie philosophique ens de lyon premier semestre 2014 2015 samuel l'ézée delphine antoine mahut see full pdf download pdf related

[anthropologie philosophique paul ricœur cairn info](#) - Jan 11 2023

web sep 12 2022 d'où l'urgence à ses yeux d'une anthropologie philosophique qui a une histoire plus ancienne mais qui il croit riche encore de ressources inemployées cela

[l'anthropologie philosophique une science empirique](#) - Nov 09 2022

web aujourd'hui et depuis longtemps l'anthropologie n'est donc plus seulement le nom d'une discipline mais ce terme désigne une tendance fondamentale de la position actuelle de

[introduction à l'anthropologie philosophique broché fnac](#) - Jul 05 2022

web nov 6 2019 une réflexion cohérente s'impose et doit se fonder sur des idées profondes et rigoureuses voilà l'objet de ce livre d'anthropologie qui étudie la nature et la personne

[introduction à l'anthropologie cours université laval](#) - Dec 10 2022

web sep 26 2023 comprendre la diversité humaine et la complexité des processus sociaux et culturels par l'ethnographie l'analyse comparative et la réflexion critique présentation

intro à l'anthropologie philosophique phi 1103 - Jul 17 2023

web introduction à l'anthropologie philosophique session aut 2012 responsable noureddine mouelhi bureau w 5235 courriel nmouelhi uottawa ca horaire lundi

[introduction à l'anthropologie clinique springerlink](#) - Apr 02 2022

web jul 14 2007 ce texte a pour dessein de préciser l'expression d'anthropologie clinique il retrace l'émergence du courant anthropologique en psychiatrie et psychologie clinique

phénoménologie anthropologie husserl heidegger sartre - Mar 01 2022

web l'anthropologie philosophique aboutit ainsi à cette géniale absence de scientificité qui caractérise désormais la pensée de heidegger pour husserl une fois admis que

[cours phi1103 introduction à l'anthropologie philosophique uqam](#) - Sep 19 2023

web uqam introduction aux conceptions philosophiques de l'être humain sous jacentes à l'anthropologie considérée comme science humaine on étudiera les diverses

pdf phi1103 50 introduction À l'anthropologie - Aug 18 2023

web c est cette introduction dans la méthode phénoménologique d'un critère normatif voire normalisant qu'il s'agit d'interroger ne fait-elle pas violence aux phénomènes limites de

introduction a l'anthropologie philosophique peter mcguire - Jan 31 2022

web introduction a l'anthropologie philosophique introduction a l'anthropologie philosophique 2 downloaded from rjonline.org on 2022 11 20 by guest

l'anthropologie philosophique de wilhelm von humboldt - Oct 08 2022

web nov 19 2020 ouvrage couronné par l'académie des sciences morales et politiques Éditeur presses universitaires du septentrion collection philosophie lieu d'édition

la place de l'homme au sein du règne vivant faire - Apr 14 2023

web jun 28 2021 À propos de helmuth plessner les degrés de l'organique et l'homme introduction à l'anthropologie philosophique traduit par pierre osmo paris

introduction à l'anthropologie philosophique decitre - May 03 2022

web nov 6 2019 introduction à l'anthropologie philosophique de joseph grifone collection bibliothèque d'initiation théo livraison gratuite à 0 01 dès 35 d'achat

introduction à l'anthropologie i cours i domuni domuni - Aug 06 2022

web plan du cours introduction à l'anthropologie introduction l'anthropologie ou comment donner sens à l'étrange chapitre 1 qu'est-ce que la culture 1 définition

introduction openedition journals - Feb 12 2023

web introduction revue franco allemande de sciences humaines et sociales deutsch französische zeitschrift für geistes und sozialwissenschaften 25 2017

michel foucault introduction à l'anthropologie paris vrin - Sep 07 2022

web michel foucault introduction à l'anthropologie paris vrin bibliothèque des textes philosophiques 2008 michel foucault introduction to kant's anthropology

phénoménologie et anthropologie openedition journals - Dec 30 2021

web 2 l'essai de ferruccio la parra la pensée 68 essai sur l'anti-humanisme contemporain paris gallimard 1 1 phénoménologie et anthropologie ces deux termes sont ils

the brook summary explanation class 9 english chapter 6 - Oct 08 2022

web here is a list of a few things can you tell how long each of them can live exist a a dog d a human being b an elephant e a star f a mountain g a river c a tree 3 the poem

[the brook ncert solutions english class 9 pdf download](#) - Jan 31 2022

ncert solutions for class 9th ch 6 the brook - Mar 13 2023

web jan 16 2023 the brook question answers exercises q1 after reading the poem answer the following questions the poet has used a number of words which indicate

copy of book cbse - Nov 28 2021

the brook poem summary and analysis litcharts - Dec 10 2022

web aug 18 2016 q2 what is the message of the poem about life answer the poem tells that life is eternal q3 how does the brook behave at the origin answer at the origin

the brook question answers summary class 12 ahsec - Oct 28 2021

[cbse solutions for class 9 english course communicative](#) - Aug 06 2022

web information about long answer questions with solutions the brook covers topics like and long answer questions with solutions the brook example for class 9 2023

english literature class 6 education with fun - Nov 09 2022

web hence it has been called chatter the brook poem question and answers class 9 question 4 when does the sound of the brook resemble a murmur answer when

the brook extra questions and answers class 9 english - Aug 18 2023

web jul 15 2020 question 1 read the lines and answer the questions a how does the brook flow after taking its birth answer the brook flows hurriedly after taking its

[ncert class 9 english poetry textbook unit 6 the brook byju s](#) - May 03 2022

web 7 answer the following questions a how does the brook sparkle b bicker means to quarrel why does the poet use this word here c how many hills and bridges does the brook pass during its journey d where does it finally meet the river e why has the word chatter been repeated in the poem f with many a curve my banks i

class 8th english poem 5 the brook alfred tennyson - Apr 02 2022

web 3 who is i referred to in the poem the brook ans here i is referred to the brook in the poem brook because the poet made the brook as the speaker of the poem 4 what

ncert solutions for class 9 english chapter 6 the brook - Jan 11 2023

web the poem is about a brook a dictionary would define a brook as a stream or a small river read the poem silently first after the first reading the teacher will make you listen to a recording of the poem what do you think the poem is all about i come from haunts of coot and hern i make a sudden sally and sparkle out among the fern

the brook important questions answers wittychimp - May 15 2023

web the message of the poem is that the life of a brook is i temporary ii short lived iii eternal v momentary answer iii eternal question 6 b the poet draws a

short question and answers the brook english class 9 - Dec 30 2021

the brook extra questions and answers class 9 english literature - Apr 14 2023

web the brook poem by lord alfred tennyson about the poem a read to understand 1 find the lines in the poem that express the following thoughts a as the brook flows

long answer questions with solutions the brook edurev - Mar 01 2022

the brook extra questions and answers class 9 english literature - Jun 04 2022

web information about short question and answers the brook covers topics like and short question and answers the brook example for class 9 2023 exam find important

ncert solutions for class 9 english literature reader the brook - Feb 12 2023

web question 1 can you match the following a something that lives for one year biennial b something that lives for about two years perennial c something that lives for more than

cbse class 9 english unit 6 the brook questions and - Jul 05 2022

web ans a i the brook is a source of life q4 answer the following questions briefly a how does the brook sparkle ans the brook shines as the sunlight gets reflected in

the brook questions and answers enotes com - Jun 16 2023

web short answer type questions 30 40 words 2 marks each q 1 why has the poet used the word babble for the brook board term 12015 ans as the brook moves its

class 9 english chapter 6 the brook ncert solutions - Sep 07 2022

web jun 30 2018 q1 who is i referred to as in the poem ans i in the poem is referred to as the brook although the writer of the poem is alfred tennyson but he has made

the brook questions answers wittychimp - Jul 17 2023

web jul 29 2023 question 1 how does the poet use the brook to draw a parallel with the life of a man answer this is a poem that traces the life of a brook or a small stream as it

ncert solutions for class 9 english literature chapter - Sep 19 2023

web what is a stanza by stanza summary of the poem the brook by alfred lord tennyson what are the various words the poet uses to describe the sound of the brook how