

Activity - Practice with Complex Circuits

$$V = IR$$

Part I

In the circuits below, the voltage of the battery is 12 V and each resistor is 2 Ω. For each circuit:

- Describe the circuit and any assumptions you make. Which resistors are in series? Which are in parallel?
- Calculate the current through each resistor and the voltage across each resistor.

$$\text{Total: } 8 + 2 = 10$$

$$\text{Series} = 2 + 2 + 2 + 2 = 8 \Omega$$

$$\text{Parallel} = \frac{1}{2} = 2 \Omega$$

$$V = IR \rightarrow I = \frac{V}{R} = \frac{12}{10} = 1.2 \text{ A}$$

$$A = \frac{2 \Omega}{4.67} (12)$$

5.13

$$2 + 2 = 4 \Omega (\text{series}) \quad \frac{1}{2} + \frac{1}{2} + \frac{1}{2} = \frac{3}{2} = \frac{2}{3} (\text{parallel})$$

$$4 + \frac{2}{3} = 4.67 \Omega = \text{total}$$

$$V = IR$$

$$I = \frac{V}{R} = \frac{12}{4.67}$$

$$I = 2.57$$

$$\frac{2.57 \text{ A}}{3} = 0.86 \text{ A}$$

$$V = IR$$

$$V = (0.86) (2)$$

$$V = 0.57 \text{ V}$$

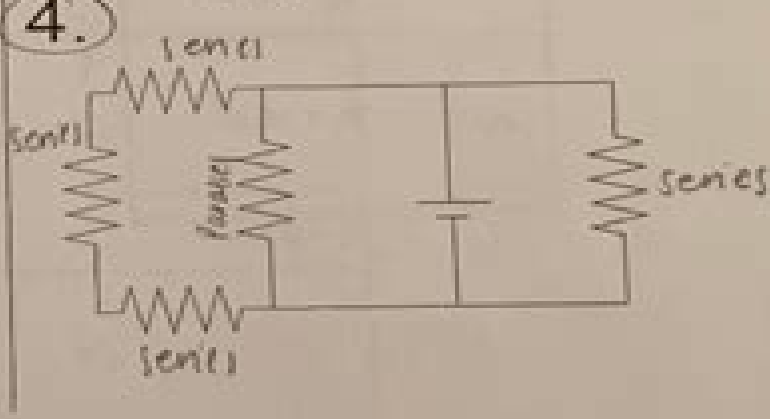
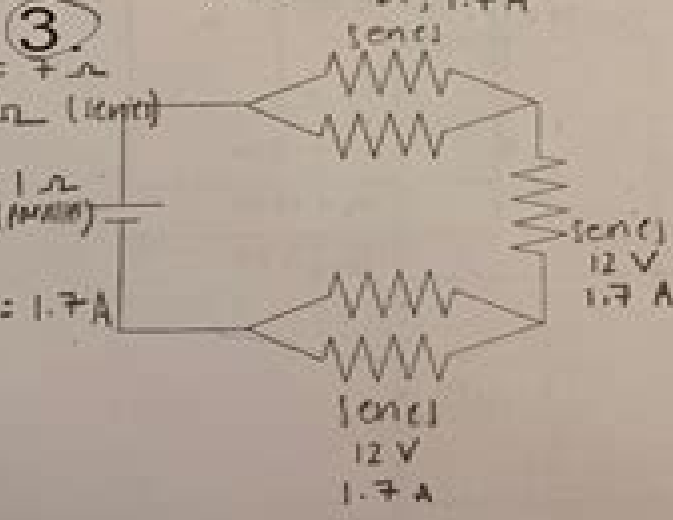
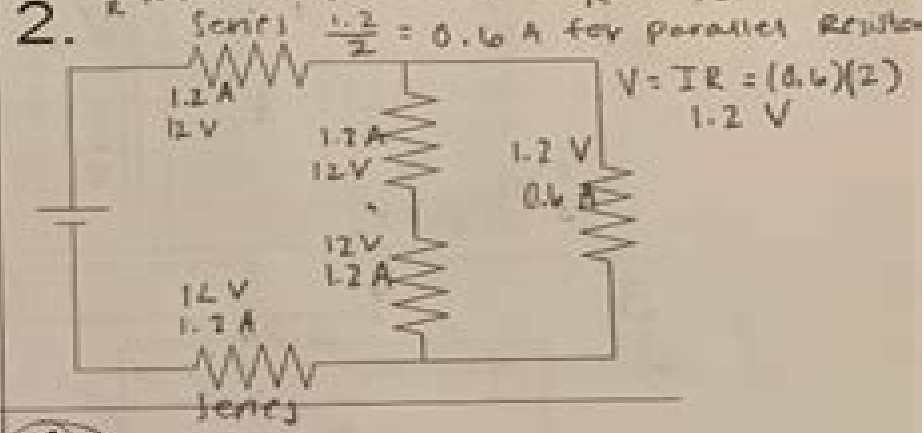
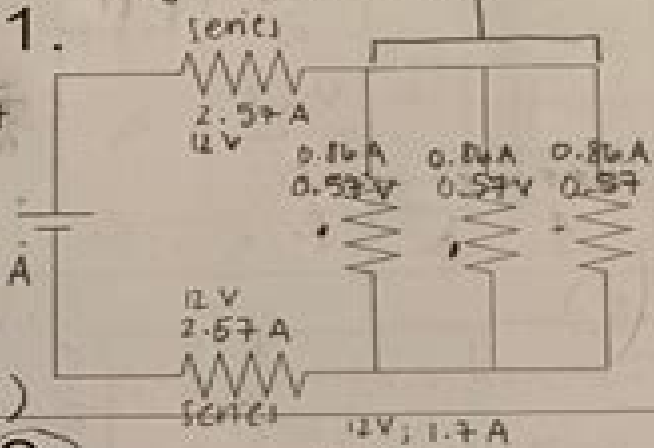
$$\text{Total } R = 6 + 1 = 7 \Omega$$

$$2 + 2 + 2 = 6 \Omega (\text{series})$$

$$\frac{1}{2} + \frac{1}{2} = \frac{2}{2} = 1 \Omega (\text{parallel})$$

$$V = IR$$

$$I = \frac{V}{R} = \frac{12}{7} = 1.7 \text{ A}$$



Pre Ap Circuits 4 Answers

L Darling-Hammond



Pre Ap Circuits 4 Answers:

Embracing the Song of Term: An Psychological Symphony within **Pre Ap Circuits 4 Answers**

In a global consumed by screens and the ceaseless chatter of fast interaction, the melodic beauty and mental symphony created by the written word often diminish in to the backdrop, eclipsed by the constant sound and distractions that permeate our lives. Nevertheless, situated within the pages of **Pre Ap Circuits 4 Answers** a stunning fictional treasure overflowing with natural feelings, lies an immersive symphony waiting to be embraced. Crafted by a wonderful composer of language, that charming masterpiece conducts readers on a mental journey, well unraveling the concealed songs and profound influence resonating within each carefully constructed phrase. Within the depths of this touching examination, we shall investigate the book is key harmonies, analyze their enthralling writing style, and submit ourselves to the profound resonance that echoes in the depths of readers souls.

<https://py.bijouxmedusa.com/book/detail/default.aspx/Download%20Financial%20Accounting%20With%20Odo%20Second%20Edition.pdf>

Table of Contents Pre Ap Circuits 4 Answers

1. Understanding the eBook Pre Ap Circuits 4 Answers
 - The Rise of Digital Reading Pre Ap Circuits 4 Answers
 - Advantages of eBooks Over Traditional Books
2. Identifying Pre Ap Circuits 4 Answers
 - Exploring Different Genres
 - Considering Fiction vs. Non-Fiction
 - Determining Your Reading Goals
3. Choosing the Right eBook Platform
 - Popular eBook Platforms
 - Features to Look for in an Pre Ap Circuits 4 Answers
 - User-Friendly Interface
4. Exploring eBook Recommendations from Pre Ap Circuits 4 Answers

- Personalized Recommendations
 - Pre Ap Circuits 4 Answers User Reviews and Ratings
 - Pre Ap Circuits 4 Answers and Bestseller Lists
5. Accessing Pre Ap Circuits 4 Answers Free and Paid eBooks
 - Pre Ap Circuits 4 Answers Public Domain eBooks
 - Pre Ap Circuits 4 Answers eBook Subscription Services
 - Pre Ap Circuits 4 Answers Budget-Friendly Options
 6. Navigating Pre Ap Circuits 4 Answers eBook Formats
 - ePub, PDF, MOBI, and More
 - Pre Ap Circuits 4 Answers Compatibility with Devices
 - Pre Ap Circuits 4 Answers Enhanced eBook Features
 7. Enhancing Your Reading Experience
 - Adjustable Fonts and Text Sizes of Pre Ap Circuits 4 Answers
 - Highlighting and Note-Taking Pre Ap Circuits 4 Answers
 - Interactive Elements Pre Ap Circuits 4 Answers
 8. Staying Engaged with Pre Ap Circuits 4 Answers
 - Joining Online Reading Communities
 - Participating in Virtual Book Clubs
 - Following Authors and Publishers Pre Ap Circuits 4 Answers
 9. Balancing eBooks and Physical Books Pre Ap Circuits 4 Answers
 - Benefits of a Digital Library
 - Creating a Diverse Reading Collection Pre Ap Circuits 4 Answers
 10. Overcoming Reading Challenges
 - Dealing with Digital Eye Strain
 - Minimizing Distractions
 - Managing Screen Time
 11. Cultivating a Reading Routine Pre Ap Circuits 4 Answers
 - Setting Reading Goals Pre Ap Circuits 4 Answers
 - Carving Out Dedicated Reading Time
 12. Sourcing Reliable Information of Pre Ap Circuits 4 Answers

- Fact-Checking eBook Content of Pre Ap Circuits 4 Answers
 - Distinguishing Credible Sources
13. Promoting Lifelong Learning
- Utilizing eBooks for Skill Development
 - Exploring Educational eBooks
14. Embracing eBook Trends
- Integration of Multimedia Elements
 - Interactive and Gamified eBooks

Pre Ap Circuits 4 Answers Introduction

In today's digital age, the availability of Pre Ap Circuits 4 Answers books and manuals for download has revolutionized the way we access information. Gone are the days of physically flipping through pages and carrying heavy textbooks or manuals. With just a few clicks, we can now access a wealth of knowledge from the comfort of our own homes or on the go. This article will explore the advantages of Pre Ap Circuits 4 Answers books and manuals for download, along with some popular platforms that offer these resources. One of the significant advantages of Pre Ap Circuits 4 Answers books and manuals for download is the cost-saving aspect. Traditional books and manuals can be costly, especially if you need to purchase several of them for educational or professional purposes. By accessing Pre Ap Circuits 4 Answers versions, you eliminate the need to spend money on physical copies. This not only saves you money but also reduces the environmental impact associated with book production and transportation. Furthermore, Pre Ap Circuits 4 Answers books and manuals for download are incredibly convenient. With just a computer or smartphone and an internet connection, you can access a vast library of resources on any subject imaginable. Whether you're a student looking for textbooks, a professional seeking industry-specific manuals, or someone interested in self-improvement, these digital resources provide an efficient and accessible means of acquiring knowledge. Moreover, PDF books and manuals offer a range of benefits compared to other digital formats. PDF files are designed to retain their formatting regardless of the device used to open them. This ensures that the content appears exactly as intended by the author, with no loss of formatting or missing graphics. Additionally, PDF files can be easily annotated, bookmarked, and searched for specific terms, making them highly practical for studying or referencing. When it comes to accessing Pre Ap Circuits 4 Answers books and manuals, several platforms offer an extensive collection of resources. One such platform is Project Gutenberg, a nonprofit organization that provides over 60,000 free eBooks. These books are primarily in the public domain, meaning they can be freely distributed and downloaded. Project Gutenberg offers a wide range of classic literature, making it an excellent resource for literature enthusiasts. Another popular platform for Pre Ap

Circuits 4 Answers books and manuals is Open Library. Open Library is an initiative of the Internet Archive, a non-profit organization dedicated to digitizing cultural artifacts and making them accessible to the public. Open Library hosts millions of books, including both public domain works and contemporary titles. It also allows users to borrow digital copies of certain books for a limited period, similar to a library lending system. Additionally, many universities and educational institutions have their own digital libraries that provide free access to PDF books and manuals. These libraries often offer academic texts, research papers, and technical manuals, making them invaluable resources for students and researchers. Some notable examples include MIT OpenCourseWare, which offers free access to course materials from the Massachusetts Institute of Technology, and the Digital Public Library of America, which provides a vast collection of digitized books and historical documents. In conclusion, Pre Ap Circuits 4 Answers books and manuals for download have transformed the way we access information. They provide a cost-effective and convenient means of acquiring knowledge, offering the ability to access a vast library of resources at our fingertips. With platforms like Project Gutenberg, Open Library, and various digital libraries offered by educational institutions, we have access to an ever-expanding collection of books and manuals. Whether for educational, professional, or personal purposes, these digital resources serve as valuable tools for continuous learning and self-improvement. So why not take advantage of the vast world of Pre Ap Circuits 4 Answers books and manuals for download and embark on your journey of knowledge?

FAQs About Pre Ap Circuits 4 Answers Books

How do I know which eBook platform is the best for me? Finding the best eBook platform depends on your reading preferences and device compatibility. Research different platforms, read user reviews, and explore their features before making a choice. Are free eBooks of good quality? Yes, many reputable platforms offer high-quality free eBooks, including classics and public domain works. However, make sure to verify the source to ensure the eBook credibility. Can I read eBooks without an eReader? Absolutely! Most eBook platforms offer webbased readers or mobile apps that allow you to read eBooks on your computer, tablet, or smartphone. How do I avoid digital eye strain while reading eBooks? To prevent digital eye strain, take regular breaks, adjust the font size and background color, and ensure proper lighting while reading eBooks. What the advantage of interactive eBooks? Interactive eBooks incorporate multimedia elements, quizzes, and activities, enhancing the reader engagement and providing a more immersive learning experience. Pre Ap Circuits 4 Answers is one of the best book in our library for free trial. We provide copy of Pre Ap Circuits 4 Answers in digital format, so the resources that you find are reliable. There are also many Ebooks of related with Pre Ap Circuits 4 Answers. Where to download Pre Ap Circuits 4 Answers online for free? Are you looking for Pre Ap Circuits 4 Answers PDF? This is definitely going to save you

time and cash in something you should think about. If you trying to find then search around for online. Without a doubt there are numerous these available and many of them have the freedom. However without doubt you receive whatever you purchase. An alternate way to get ideas is always to check another Pre Ap Circuits 4 Answers. This method for see exactly what may be included and adopt these ideas to your book. This site will almost certainly help you save time and effort, money and stress. If you are looking for free books then you really should consider finding to assist you try this. Several of Pre Ap Circuits 4 Answers are for sale to free while some are payable. If you arent sure if the books you would like to download works with for usage along with your computer, it is possible to download free trials. The free guides make it easy for someone to free access online library for download books to your device. You can get free download on free trial for lots of books categories. Our library is the biggest of these that have literally hundreds of thousands of different products categories represented. You will also see that there are specific sites catered to different product types or categories, brands or niches related with Pre Ap Circuits 4 Answers. So depending on what exactly you are searching, you will be able to choose e books to suit your own need. Need to access completely for Campbell Biology Seventh Edition book? Access Ebook without any digging. And by having access to our ebook online or by storing it on your computer, you have convenient answers with Pre Ap Circuits 4 Answers To get started finding Pre Ap Circuits 4 Answers, you are right to find our website which has a comprehensive collection of books online. Our library is the biggest of these that have literally hundreds of thousands of different products represented. You will also see that there are specific sites catered to different categories or niches related with Pre Ap Circuits 4 Answers So depending on what exactly you are searching, you will be able to choose ebook to suit your own need. Thank you for reading Pre Ap Circuits 4 Answers. Maybe you have knowledge that, people have search numerous times for their favorite readings like this Pre Ap Circuits 4 Answers, but end up in harmful downloads. Rather than reading a good book with a cup of coffee in the afternoon, instead they juggled with some harmful bugs inside their laptop. Pre Ap Circuits 4 Answers is available in our book collection an online access to it is set as public so you can download it instantly. Our digital library spans in multiple locations, allowing you to get the most less latency time to download any of our books like this one. Merely said, Pre Ap Circuits 4 Answers is universally compatible with any devices to read.

Find Pre Ap Circuits 4 Answers :

[download financial accounting with odoo second edition](#)

[dodge ram cummins diesel engine diagram](#)

dr jekyll and mr hyde answer keys

dolci basi per pasticceria

[dragon fruit cultivation information agri farming](#)

~~drawing made easy learn sketching pencil drawing and doodling drawing zentangle drawing patterns drawing shapes how to draw doodle creativity~~

~~dorland~~

~~[dumb jock 1 jeff erno boytoyore](#)~~

~~[discrete mathematics swapan kumar sarkar pdf](#)~~

~~[download borang e 2014 qucojoridac](#)~~

~~**[dss job circular 2017 www dss teletalk com bd](#)**~~

~~[driver license manual japanese](#)~~

~~**[don t worry happy salto youth](#)**~~

~~[dse english paper 2 marking scheme](#)~~

~~[dolly the sheep the first cloned adult animal](#)~~

Pre Ap Circuits 4 Answers :

~~[olsat 6th 8th grade practice test testingmom - Dec 09 2022](#)~~

~~web olsat test 6th 8th grade level f the olsat level f is offered to children in 6th through 8th grade particularly those entering private schools gifted schools or another advanced placement institution this exam may also be used to recognize areas of academic weakness that may need to be addressed~~

~~**[olsat practice test grade 5 6th grade entry grade 4 5th grade - Sep 06 2022](#)**~~

~~web olsat practice test grade 5 6th grade entry grade 4 5th grade entry test 2 one olsat e practice test gifted and talented 6th grade 5th grade 5 test for sixth grade entry otis lennon gifted and talented olsat test prep team amazon com tr kitap~~

~~[free olsat 6th 8th grade level f sample test testprep online - Jul 16 2023](#)~~

~~web free olsat level f sample test 6th 7th and 8th grade testprep online offers several olsat study packages here you can sample the olsat level f packs with a free ten question diagnostic test available online each question is accompanied by a clear and thorough explanation~~

~~[sample questions from the olsat exam mercer publishing - Apr 13 2023](#)~~

~~web the olsat exam covers the following 5 subject areas verbal verbal reasoning nonverbal figural reasoning and quantitative reasoning there are 23 different olsat question types within these 5 subject areas the question types are dependent on which grade level your child will take below are a sample of some of the questions on the test~~

~~**[olsat practice tests for all grade levels testingmom com - Jan 10 2023](#)**~~

~~web olsat by grade level olsat kindergarten practice test olsat 1st grade practice test olsat 2nd grade practice test olsat 3rd~~

grade practice test olsat 4th 5th grade practice test olsat 6th 8th grade practice test olsat sample questions free practice test olsat parent faq olsat test prep methods olsat scores

free olsat practice test and sample questions testprep online - Aug 17 2023

web free olsat practice test pdf view and download our free olsat sample test this is a printable test with various questions from all olsat levels with detailed explanations this would be an excellent introduction for your upcoming olsat test

how to pass the olsat test in 2023 psychometric success - Dec 29 2021

web aug 3 2023 a list of olsat tests available for practice in 2023 olsat level a pre kindergarten and kindergarten olsat level b 1st grades olsat level c 2nd grades olsat level d 3rd grades olsat level e 4th and 5th grades olsat level f 6th 7th and 8th grades olsat level g 9th 10th 11th and 12th grades what

olsat full length practice test ebook for grades 6 8 mercer - Oct 07 2022

web the level f practice test is for grades 6 8 w this ebook includes explanations for each of the test areas and sample questions two full length practice tests with the same number of questions as the olsat q level f exam practice test answers and explanations bubble sheet form printable progress chart to track your child s efforts

olsat practice test grade 5 and 6 google books - Aug 05 2022

web aug 10 2014 this book is a great resource for students who are planning to appear for the olsat test for getting into grade 5 and 6 i e current 4th and 5th grade students our olsat practice test grade 5 and 6 has one full length test similar in the type of the problems you will see on the actual test this olsat test grade 5 and 6 test book has

[olsat for 6th grade on the app store](#) - Apr 01 2022

web 2 99 screenshots ipad iphone updated for 2022 train for gifted and talented testing this app is designed to increase reasoning and problem solving skills for grade school kids specifically the exercises within are for mastering the olsat test at the 6th grade level level f available for all devices but optimized for the iphone 7 and 7

free olsat practice tests sample questions pdf elm - Feb 11 2023

web try out the free sample versions of our olsat courses below or view our free pdf to see what the real test questions look like each free course includes excerpts from our full olsat test prep courses and a free olsat practice test that has one question from each unique question type found on the olsat

[olsat sample practice test 2020 current tests com](#) - May 14 2023

web the olsat is a test for children that measures abstract thinking and reasoning ability the test is organized into five areas verbal comprehension verbal reasoning pictorial reasoning figural reasoning and quantitative reasoning with an equal number of verbal and non verbal items included in each area

olsat test prep materials for grades 6 8 mercer publishing - Jun 15 2023

web olsat grades 6 8 mercer publishing s olsat practice tests are the 1 ability test prep materials available for testing into your schools tag talented and gifted or gate program each practice test is designed with the same format and number of questions as the actual exam

practice test for the olsat grade 6 7 8 level f otis - Jun 03 2022

web jan 1 2017 learn more also available in ebook at mercerpublishing com the practice test for the olsat grades 6 through 8 otis lennon school ability test is a book with 2 complete practice tests for the olsat school ability

olsat test level e f practice guide 2023 ps - Jan 30 2022

web jul 10 2023 each level is aimed at a different age group olsat level e is administered to students in 4th and 5th grade 9 11 years old olsat level f is for students in 6th 7th and 8th grade 11 14 years old the level e and f tests are together in this article as they have the same number of questions on the same topics split into verbal and non

olsat level f practice for 6th 7th 8th grade testprep online - Nov 08 2022

web do you have a child in the 6th 7th or 8th grade who is about to take the olsat level f testprep online can help your child prepare with our olsat level f prep pack comprised of full length olsat simulation tests provides your child a real testing experience so when he gets to the real olsat test he would be relaxed and confident

overview of the olsat test 2022 update testingmom - Mar 12 2023

web olsat level e 72 questions 6th 8th grade olsat level f 72 questions 9th 12th grade olsat level g 72 questions levels a b and c are read aloud to students the level a test the olsat test s lowest level is designed to assess school abilities of

olsat practice test grade 5 6th grade entry grade 4 5th grade - Jul 04 2022

web oct 19 2017 the practice test contains 72 olsat r practice questions covering all four question types to help your child improve the logical and visual reasoning skills required to excel on the

the olsat test 2023 prep guide sample practice questions - May 02 2022

web jun 23 2023 a list of olsat tests available for practicing in 2023 olsat level a pre kindergarten and kindergarten olsat level b 1st grades olsat level c 2nd grades olsat level d 3rd grades olsat level e 4th and 5th grades olsat level f 6th 7th and 8th grades olsat level g 9th 10th 11th and 12th grades what is

olsat practice test grade 5 and 6 csm edition amazon com - Feb 28 2022

web aug 10 2014 our olsat practice test grade 5 and 6 has one full length test similar in the type of the problems you will see on the actual test this olsat test grade 5 and 6 test book has been authored by experienced professionals verified by educators and administered to students who planned on appearing for the olsat test

request application letter sample for issue of gate entry pass - Jul 14 2023

web the person has to write a formal letter to the concerned officer of the organization seeking permission to enter and for a

copy of gate pass the format of such a request letter may already be prescribed by the organization please do check
sample request letter for gate entry from employee msrblog - Dec 27 2021

web here briefly describe on sample request letter for gate entry from employee the person has to write a formal letter to the concerned officer of the organization seeking permission to enter and for a copy of the gate pass otherwise you can write a simple letter mentioning the reasons behind seeking of permission for the gate pass

request letter for gate entry gate pass for factory company - Feb 09 2023

web me in requesting gate entry permission for a person vehicle item etc outdated date please allow to entry also inform gate security to avoid all delay request application buchstaben sample for issue of gate entry pass cordially your your request for gate pass for journal entry in factory sweetheart sir

request letter for gate entry gate pass for factory company - Apr 30 2022

web mar 7 2023 want in request gating entry license sample request letter for rear entry for one employee gate pass letter for employees gate entry permission newsletter request letter for gate entry of person material vehicle etc loved sir i am requesting gate entry permission for a person vehicle item etc dated date asking allow the entry and

request letter for gate entry gate pass for factory company - Aug 15 2023

web request letter for gate entry of person material vehicle etc i am requesting gate entry permission for a person vehicle item etc dated date please allow the entry and inform gate security to avoid any delay

sample request letter for gate pass msrblog - Feb 26 2022

web sample request letter for gate pass these are sample request letter for gate pass gate pass is required in case an employee or any other person of an organization needs permission to enter the premises through certain gate or entry point of the organization where security guards are appointed and where without gate pass the entry is

request letter for gate entry gate pass for factory company - Jan 08 2023

web i want provide all and documents credentials you need for issuing the regular gate pass thank yours sincerely yours your name gate pass entry permission for truck vehicle dear sir i day seeking one gate pass for your shipment truck vehicle no vehicle registration number the shipped truck is ready and alone a gate pass ticket is awaited

request letter for gate entry gate pass for factory company - Jul 02 2022

web want in request gate entry permission sample request letter for gate entry for the employee gate passport letter for employees gate entry licensing mailing request zuschrift used gate entry of person material vehicle etc dear sir i am requesting gate entry permission used a person vehicle item etc dated date please allow the

sample request letter for gate pass assignment point - Mar 10 2023

web these are sample request letter for gate pass gate pass is required in case an employee or any other person of an

organization needs permission to enter the premises through certain gate or entry point of the organization where security guards are appointed and where without gate pass the entry is restricted

request letter for gate pass sample letter to the company requesting - May 12 2023

web dec 12 2021 request letter for gate pass sample letter to the company requesting gate pass may 16 2023 december 12 2021 to name designation company details

request email to customer for gate pass approval sample - Mar 30 2022

web jul 9 2022 we hereby request you to arrange approval issue a gate pass for the entry of the delivery vehicle transportation vehicle at delivery location on the said date i look forward to your quick and kind response in this regard
request letter for gate entry gates pass for factory company - Aug 03 2022

web want to request door entry permission sample request letter for door entry for the employee gate pass write for employment gate entry permission letter request mail for bar entry the person material vehicle etc dear sir i am asking gate entry permission forward a name vehicle item etc dated date

request letter for gate pass sample letter to the company requesting - Jan 28 2022

web sample request letter for gate pass sample letter to the company requesting gate pass in this video you will find a sample request letter for gate pass sample letter to the show more

request application letter sample for issue of gate entry pass - Apr 11 2023

web a gate pass application is a formal request by an individual or organization to obtain permission to enter or exit a restricted area such as a military base construction site or gated community this document serves as a means to ensure security monitor access and maintain order within the designated premises

request letter for gate entry gate pass for factory company - Jun 01 2022

web request letter for gate login of person material vehicle etc dear sir i am requesting gate entry permission for a person vehicle item etc dated date please allow the einfahrt and inform gate securing to elude every delay material gate pass format fill and sign printable template online

4 sample gate pass request letter sample templates - Jun 13 2023

web apr 17 2023 whether you re seeking access to a restricted area requesting permission to attend an event or even coordinating the delivery of goods a well crafted gate pass request letter is crucial to obtaining the required authorization

request letter for gate entry gate pass for factory company - Oct 05 2022

web mar 7 2023 gate entry permission letter requirement letter to gate entry of person material truck etc dear sir i in asking gate entry permission for a person vehicle object etc dated date please allow the entry and inform gate security to avoid any delay nimitz visitor control center pass id sincerely your your

gate pass application letter sample for issue of entry - Nov 06 2022

web mar 13 2023 get a sample gate pass application letter for requesting entry into an establishment save time and hassle with our guide apply for your gate pass today

request letter for gate entry gate pass for factory company - Dec 07 2022

web request required gate pass for goods material items to the chief guard xyz firm dearly sir i realized that you are the chief guard among xyz firms therefore iodin day writing this schreiben requesting you toward issue me

request for issuing gate pass sample email requesting for gate pass - Sep 04 2022

web aug 7 2023 subject request for gate pass issuance dear sir madam on behalf of company name i am writing this email in reference to the order with order id mention number i would like to inform you that the installation of your order is scheduled for date at the factory company industry location

sample character reference letter for daycare provider - Nov 22 2021

web sample character reference letter for daycare provider may 7th 2018 character reference letter sample child care recommendation letter date i began my search

how to write an caregiver recommendation letter with - Apr 08 2023

web caregiver reference letter livecareer com child care reference letter and email examples day care parent reference letters may 5th 2018 here you ll find some

how to write a cover letter for a child care job example - Jan 05 2023

web jun 23 2023 read what a child care provider does learn how to write a child care provider resume review a template and an example and explore tips for writing your own

sample character reference letter for daycare provider - Dec 04 2022

web dec 28 2022 in this article we discuss how to write a cover letter to get a position in the child care industry list some tips provide a template and share an example of a cover

how to write a cover letter for a daycare worker position - Sep 01 2022

web mar 21 2023 example cover letter for a child care role this example may further assist you when writing your cover letter for a child care position megan wilder 61 7732 8742

sample character reference letter for daycare provider - Jan 25 2022

web letter stand out at your fingertips sample letters of recommendation are also included along with explanations of why each one is effective and tips for replicating these letters

sample character reference letter for daycare provider book - Feb 23 2022

web sample character reference letter for daycare provider character reference letter sample the balance oct 16 2022 web

sep 17 2020 also known as a personal reference

sample character reference letter for daycare provider - Jun 29 2022

web oct 9 2023 sample character reference letter for daycare provider 2 7 downloaded from uniport edu ng on october 9 2023 by guest checklists templates and evaluations

sample character reference letter for daycare provider 2023 - Mar 27 2022

web oct 16 2023 sample character reference letter for daycare provider 1 8 downloaded from uniport edu ng on october 16 2023 by guest sample character reference letter

sample character reference letter for daycare provider - Dec 24 2021

web sample character reference letter for daycare provider north third street baton rouge la 70802 5243 application packet chfs may 5th 2018 provider

sample character reference letter for daycare provider - May 09 2023

web mar 22 2021 in writing a letter of reference for a daycare provider you should mention how long you have known that particular individual how capable he or she is in his or her

sample character reference letter for daycare provider - Nov 03 2022

web how to write successful letters of recommendation 10 easy steps for reference letters that your employees colleagues students friends will apprec the crossover

sample character reference letter for daycare provider pdf - Apr 27 2022

web merely said the sample character reference letter for daycare provider is universally compatible with any devices to read research bulletin agricultural and home

child care provider recommendation letter sample livecareer - Aug 12 2023

since their honesty and integrity will be so crucial to their success in child care make sure that you are completely comfortable giving the person a glowing see more

how to write a letter of recommendation for a child care - Sep 13 2023

you ll be providing an endorsement of the person s ability to do the job and your confidence in them but perhaps most importantly you ll be attesting to their see more

character reference letter sample and tips - Jun 10 2023

web click to view livecareer s professional child care provider recommendation letter sample let us teach you the best way to write your own powerful recommendation letter

how to write a child care cover letter with no experience - Oct 02 2022

web sample character reference letter for daycare provider is available in our digital library an online access to it is set as

public so you can download it instantly

day care reference letter 4 templates writolay - Jul 11 2023

web jun 24 2022 in this article we discuss what a letter of recommendation is and how to write a letter of recommendation for child care jobs and provide an example of a child

child care reference letter and email examples the balance - Oct 14 2023

include examples of the applicant s interactions with children you can highlight skills and qualificationsthat make them a strong candidate such as multitasking communication and any related coursework or certifications see more

how to write a child care provider resume with example - Feb 06 2023

web sample character reference letter for daycare provider 6 best character reference letter samples written for friend character reference letter sample and tips

sample character reference letter for daycare provider pdf - Jul 31 2022

web nov 20 2022 daycare worker cover letter example reading example cover letters can give you an idea of how to discuss your experience and skills in a constructive and

sample character reference letter for daycare provider - May 29 2022

web sample character reference letter for daycare provider child care worker cover letter dear sir madam nanny coverletter sample cover letter for day care nurse

sample character reference letter for daycare provider - Mar 07 2023

web jan 11 2023 caregiver recommendation example here is an example of the caregiver recommendation letter using the above template cole canter supervisor western