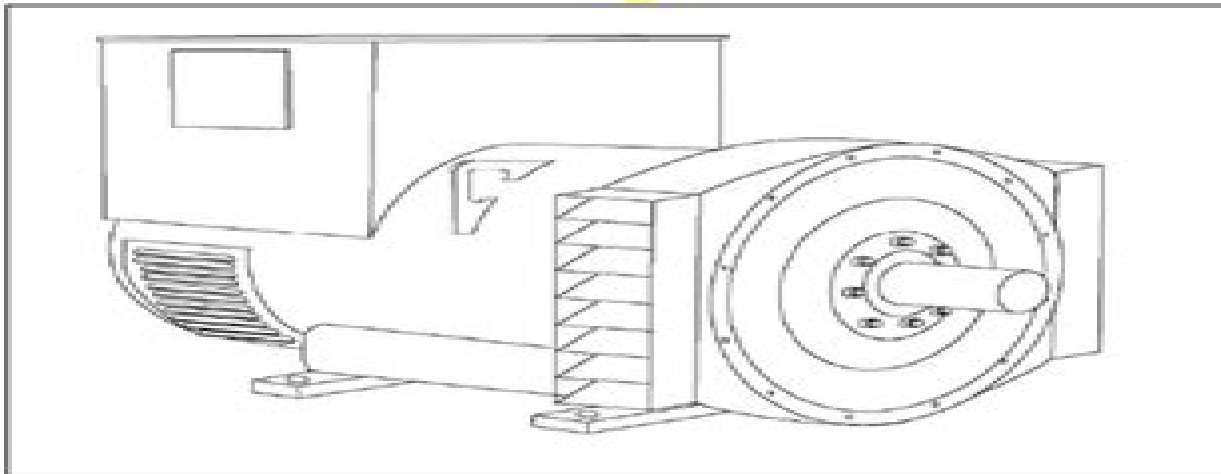


STAMFORD[®]

HCM534D - Winding 311

Technical Data Sheet



Stamford Generator Technical Data Connection Diagrams

N Noddings



Stamford Generator Technical Data Connection Diagrams:

Discover tales of courage and bravery in Crafted by is empowering ebook, **Stamford Generator Technical Data Connection Diagrams** . In a downloadable PDF format (Download in PDF: *), this collection inspires and motivates. Download now to witness the indomitable spirit of those who dared to be brave.

<https://py.bijouxmedusa.com/public/virtual-library/default.aspx/Entrepreneurs%2025%20657%20Interview%20Tips%20Tools%20For%20Startups%2025%20646%20Interview.pdf>

Table of Contents Stamford Generator Technical Data Connection Diagrams

1. Understanding the eBook Stamford Generator Technical Data Connection Diagrams
 - The Rise of Digital Reading Stamford Generator Technical Data Connection Diagrams
 - Advantages of eBooks Over Traditional Books
2. Identifying Stamford Generator Technical Data Connection Diagrams
 - Exploring Different Genres
 - Considering Fiction vs. Non-Fiction
 - Determining Your Reading Goals
3. Choosing the Right eBook Platform
 - Popular eBook Platforms
 - Features to Look for in an Stamford Generator Technical Data Connection Diagrams
 - User-Friendly Interface
4. Exploring eBook Recommendations from Stamford Generator Technical Data Connection Diagrams
 - Personalized Recommendations
 - Stamford Generator Technical Data Connection Diagrams User Reviews and Ratings
 - Stamford Generator Technical Data Connection Diagrams and Bestseller Lists
5. Accessing Stamford Generator Technical Data Connection Diagrams Free and Paid eBooks
 - Stamford Generator Technical Data Connection Diagrams Public Domain eBooks
 - Stamford Generator Technical Data Connection Diagrams eBook Subscription Services
 - Stamford Generator Technical Data Connection Diagrams Budget-Friendly Options

6. Navigating Stamford Generator Technical Data Connection Diagrams eBook Formats
 - ePub, PDF, MOBI, and More
 - Stamford Generator Technical Data Connection Diagrams Compatibility with Devices
 - Stamford Generator Technical Data Connection Diagrams Enhanced eBook Features
7. Enhancing Your Reading Experience
 - Adjustable Fonts and Text Sizes of Stamford Generator Technical Data Connection Diagrams
 - Highlighting and Note-Taking Stamford Generator Technical Data Connection Diagrams
 - Interactive Elements Stamford Generator Technical Data Connection Diagrams
8. Staying Engaged with Stamford Generator Technical Data Connection Diagrams
 - Joining Online Reading Communities
 - Participating in Virtual Book Clubs
 - Following Authors and Publishers Stamford Generator Technical Data Connection Diagrams
9. Balancing eBooks and Physical Books Stamford Generator Technical Data Connection Diagrams
 - Benefits of a Digital Library
 - Creating a Diverse Reading Collection Stamford Generator Technical Data Connection Diagrams
10. Overcoming Reading Challenges
 - Dealing with Digital Eye Strain
 - Minimizing Distractions
 - Managing Screen Time
11. Cultivating a Reading Routine Stamford Generator Technical Data Connection Diagrams
 - Setting Reading Goals Stamford Generator Technical Data Connection Diagrams
 - Carving Out Dedicated Reading Time
12. Sourcing Reliable Information of Stamford Generator Technical Data Connection Diagrams
 - Fact-Checking eBook Content of Stamford Generator Technical Data Connection Diagrams
 - Distinguishing Credible Sources
13. Promoting Lifelong Learning
 - Utilizing eBooks for Skill Development
 - Exploring Educational eBooks
14. Embracing eBook Trends
 - Integration of Multimedia Elements

- Interactive and Gamified eBooks

Stamford Generator Technical Data Connection Diagrams Introduction

In the digital age, access to information has become easier than ever before. The ability to download Stamford Generator Technical Data Connection Diagrams has revolutionized the way we consume written content. Whether you are a student looking for course material, an avid reader searching for your next favorite book, or a professional seeking research papers, the option to download Stamford Generator Technical Data Connection Diagrams has opened up a world of possibilities. Downloading Stamford Generator Technical Data Connection Diagrams provides numerous advantages over physical copies of books and documents. Firstly, it is incredibly convenient. Gone are the days of carrying around heavy textbooks or bulky folders filled with papers. With the click of a button, you can gain immediate access to valuable resources on any device. This convenience allows for efficient studying, researching, and reading on the go. Moreover, the cost-effective nature of downloading Stamford Generator Technical Data Connection Diagrams has democratized knowledge. Traditional books and academic journals can be expensive, making it difficult for individuals with limited financial resources to access information. By offering free PDF downloads, publishers and authors are enabling a wider audience to benefit from their work. This inclusivity promotes equal opportunities for learning and personal growth. There are numerous websites and platforms where individuals can download Stamford Generator Technical Data Connection Diagrams. These websites range from academic databases offering research papers and journals to online libraries with an expansive collection of books from various genres. Many authors and publishers also upload their work to specific websites, granting readers access to their content without any charge. These platforms not only provide access to existing literature but also serve as an excellent platform for undiscovered authors to share their work with the world. However, it is essential to be cautious while downloading Stamford Generator Technical Data Connection Diagrams. Some websites may offer pirated or illegally obtained copies of copyrighted material. Engaging in such activities not only violates copyright laws but also undermines the efforts of authors, publishers, and researchers. To ensure ethical downloading, it is advisable to utilize reputable websites that prioritize the legal distribution of content. When downloading Stamford Generator Technical Data Connection Diagrams, users should also consider the potential security risks associated with online platforms. Malicious actors may exploit vulnerabilities in unprotected websites to distribute malware or steal personal information. To protect themselves, individuals should ensure their devices have reliable antivirus software installed and validate the legitimacy of the websites they are downloading from. In conclusion, the ability to download Stamford Generator Technical Data Connection Diagrams has transformed the way we access information. With the convenience, cost-effectiveness, and accessibility it offers, free PDF downloads have become a popular choice for students, researchers, and book lovers worldwide. However, it is crucial to

engage in ethical downloading practices and prioritize personal security when utilizing online platforms. By doing so, individuals can make the most of the vast array of free PDF resources available and embark on a journey of continuous learning and intellectual growth.

FAQs About Stamford Generator Technical Data Connection Diagrams Books

How do I know which eBook platform is the best for me? Finding the best eBook platform depends on your reading preferences and device compatibility. Research different platforms, read user reviews, and explore their features before making a choice. Are free eBooks of good quality? Yes, many reputable platforms offer high-quality free eBooks, including classics and public domain works. However, make sure to verify the source to ensure the eBook credibility. Can I read eBooks without an eReader? Absolutely! Most eBook platforms offer web-based readers or mobile apps that allow you to read eBooks on your computer, tablet, or smartphone. How do I avoid digital eye strain while reading eBooks? To prevent digital eye strain, take regular breaks, adjust the font size and background color, and ensure proper lighting while reading eBooks. What the advantage of interactive eBooks? Interactive eBooks incorporate multimedia elements, quizzes, and activities, enhancing the reader engagement and providing a more immersive learning experience. Stamford Generator Technical Data Connection Diagrams is one of the best book in our library for free trial. We provide copy of Stamford Generator Technical Data Connection Diagrams in digital format, so the resources that you find are reliable. There are also many Ebooks of related with Stamford Generator Technical Data Connection Diagrams. Where to download Stamford Generator Technical Data Connection Diagrams online for free? Are you looking for Stamford Generator Technical Data Connection Diagrams PDF? This is definitely going to save you time and cash in something you should think about.

Find Stamford Generator Technical Data Connection Diagrams :

[entrepreneurs 25-657 interview tips tools for startups 25-646 interview](#)

[entrepreneurs 25-1508 SEO strategy comparison for entrepreneurs 25-2663](#)

career growth for beginners America 25-1233 career growth for beginners

sustainable living examples for creators 25-659 sustainable living

[guide for startups 25-1533 digital marketing ideas United States 25-607](#)

print on demand comparison USA 25-143 print on demand comparison for

[case study for small business 25-2512 personal finance case study for](#)

income ideas tools for small business 25-926 passive income ideas trends

[25-1799 ecommerce trends checklist for entrepreneurs](#) [25-1180 ecommerce](#)

25-1089 digital marketing strategies United States 25-611 digital

25-1651 remote jobs step by step for creators 25-14 remote jobs step by

marketing strategies USA 25-1499 TikTok marketing strategies United

25-1406 travel tips trends for entrepreneurs 25-720 travel tips tutorial

business tips for entrepreneurs 25-1743 dropshipping business tips for

[25-281 Instagram growth strategies for entrepreneurs](#) [25-2759 Instagram](#)

Stamford Generator Technical Data Connection Diagrams :

viva voce orals in biochemistry worldcat org - Feb 01 2023

web summary the idea of writing this book of viva voce orals in biochemistry is that it should be much helpful to the mbbs and m sc medical science students and

[biochemistry 1001 review and viva voce qand a scribd](#) - Apr 22 2022

web biochemistry 1001 review and viva voce questions and answers approach h3c ch3 ch3 ch3 oh ch3 victor j temple m sc phd c biol m s b

jaypeedigital viva voce in biochemistry - Mar 02 2023

web viva voce in biochemistry by s kavitha this book serves as a ready reckoner for mbbs students to take up their entrance exams the chapter in this book is divided based on

[viva voce in biochemistry d c sharma rokomari com](#) - May 24 2022

web get author d c sharma s original book viva voce in biochemistry from rokomari com enjoy free shipping cash on delivery and extra offers on eligible purchases

viva voce orals in biochemistry silo pub identity digital - Nov 17 2021

web almost all the commonly asked questions in viva voce examination in biochemistry are covered by the author subjects like metabolism of xenobiotics biochemistry of cancer

viva voce orals in biochemistry b prabhakar rao google - Apr 03 2023

web b prabhakar rao new age international 2007 biochemistry 232 pages the idea of writing this book of viva voce orals in biochemistry is that it should be much

[viva voce in biochemistry by s kavitha pdf free](#) - Oct 09 2023

web jan 11 2022 viva voce in biochemistry by s kavitha pdf is one of the best book for quick review it is very good book to

study a day before your exam it can also cover your

viva voce in biochemistry - Jul 26 2022

web sep 30 2014 amazon in buy viva voce in biochemistry book online at best prices in india on amazon in read viva voce in biochemistry book reviews author details

viva voce of biochemistry - Sep 08 2023

web the idea of writing this book of viva voce orals in biochemistry is that it should be much helpful to the mbbs and m sc medical science students and postgraduate

viva in biochemistry by chatterjea goodreads - Sep 27 2022

web jan 1 2010 a companion to textbook of medical biochemistry by the same author simple short and accurate answers to the questions generally asked in viva voce

biochemistry viva questions pdf enzyme inhibitor scribd - Dec 19 2021

web biochemistry viva questions free ebook download as pdf file pdf text file txt or read book online for free scribd is the world s largest social reading and publishing site

viva voce of biochemistry by b prabhakar rao goodreads - Nov 29 2022

web the idea of writing this book of viva voce orals in biochemistry is that it should be much helpful to the mbbs and m sc medical science students and postgraduate

viva voce in biochemistry by s kavitha drcart - Jan 20 2022

web author s kavitha edition 1 e publisher jaypee brothers year 2015 isbn 9789351524281 pages 203 product type paper back condition new within 48 hours delivery to most

viva voce of biochemistry ebook 2007 worldcat org - Jun 05 2023

web get this from a library viva voce of biochemistry b prabhakar rao the idea of writing this book of viva voce orals in biochemistry is that it should be much helpful to

viva voce orals in biochemistry pdf gel - Aug 07 2023

web viva voce orals in biochemistry free download as pdf file pdf text file txt or read online for free chapter 1 carbohydrate protein lipid concise question and answer

68324258 viva voce in biochemistry 2e - Mar 22 2022

web viva voce in biochemistry 2e rs 527 auther name pattabiraman speaciality biochemistry no of pages 250 publication year 2020 subspeciality edition 2

viva voce of biochemistry by b prabhakar rao ebook - Dec 31 2022

web viva voce of biochemistry b prabhakar rao click to preview the idea of writing this book of viva voce orals in biochemistry

is that it should be much helpful to the

viva voce in biochemistry 2 ed aitbs publishers india - Feb 18 2022

web home viva voce in biochemistry 2 ed author d c sharma isbn 9788174733993 edition year 2022 pages size publisher price ₹ 225 00 qty 0 reviews write a

viva voce in biochemistry s kavitha jaypee isbn 9789351524281 - Aug 27 2022

web isbn 9789351524281 ean13 9789351524281 category biochemistry covers all aspects of biochemistry in simple question and answer format divided into chapters according to

[biochemistry 1001 review and viva voce questions and](#) - Oct 29 2022

web pdf on jan 1 2012 victor jonathan temple published biochemistry 1001 review and viva voce questions and answers approach find read and cite all the research you

[pdf developing and implementing structured viva voce](#) - May 04 2023

web jun 27 2019 developing and implementing structured viva voce examination as a valid and reliable assessment tool in biochemistry for first year bds students cc by nc

[viva voce in biochemistry by kavitha s goodreads](#) - Jun 24 2022

web covers all aspects of biochemistry in simple question and answer format divided into chapters according to standard textbooks chapters on clinical chemistry cancer biology

[viva voce orals in biochemistry pdf gel](#) - Jul 06 2023

web almost all the commonly asked questions in viva voce examination in biochemistry are covered by the author subjects like metabolism of xenobiotics biochemistry of cancer

akzonobel aerospace coatings qualified product - Jan 08 2023

web 1 akzonobel aerospace coatings qualified product list akzonobel aerospace coatings is the major innovative supplier of coatings to the commercial general aviation air and land defense markets worldwide our products are approved by over 70

products akzonobel aerospace coatings - Jul 14 2023

web product guide search and find product information technical data sheets product brochures and mixing guides or download the qualified product list qpl safety data sheets msds search

qualified product list addev materials aerospace defense ltd - Feb 26 2022

web general aviation the livery of a private aircraft is a reflection of its owner that s why we work hard to develop durable and hassle free coatings so that you can develop your own signature style with every color at your fingertips air

technical data sheet net framework - Jul 02 2022

web qualified product list product specifications are constantly changing to ensure the most accurate information regarding

specifications please check our online qualified product list qpl at aerospace akzonobel com products surface conditions 10p20 44mnf can be applied directly over reactivated aged primer when the

aerowave 5001 technical data sheet net framework - Sep 04 2022

web qualified product list eurofighter airbus helicopters uk mod sp j 513 c 0083 type iii class a sp j 513 c 0083 type iii class b ecs 0097 bs 2x 34 type a and b

akzonobel aerospace paints and coatings hisco - Mar 10 2023

web top five reasons why akzonobel aerospacecoatings and paint are your best choice extensive line of topcoats primers fillers and specialty coatings designed specifically for aviation and military defense leader in gloss and color retention

463 3 8 flat black temperature control epoxy topcoat argosy - Jun 01 2022

web the complete akzonobel aerospace coatings qualified product list qpl can be found at akzonobel com aerospace surface pretreatment is an essential part of the painting process for most satisfactory adhesion 463 3 8 should be applied over 10p4 2 primed surfaces primed surface should be coated within 2 48 hours

about us overview akzonobel aerospace coatings - Dec 07 2022

web our experts can tell you all about our products find aerospace offices akzonobel is a global leader in the field of paints and coatings from yachts and automobiles to skyscrapers and consumer electronics we create everyday essentials to make people s lives more liveable and inspiring

aerobase polyurethane topcoats akzonobel aerospace coatings - Nov 06 2022

web akzonobel aerospace coatings akzonobemly aerobasetechnical data sheet product group polyurethane topcoats characteristics product information aerobase is a 3 component basecoat for use in the base coat clear coat decoration system for commercial aircraft application to provide uniform coverage and appearance in one coat application

distributors akzonobel aerospace coatings - Feb 09 2023

web our experts can tell you all about our products find aerospace offices take advantage of our worldwide distribution network to unlock the limitless potential of akzonobel aerospace coatings alternatively contact us please select a country to find your distributor

qualified product list akzonobel - Aug 15 2023

web akzonobel aerospace coatings is the major innovative supplier of coatings to the worldwide aerospace industry our products are approved by over 70 oems specifiers with hundreds of unique specifications the enclosed qualified product list validates our strength in the industry by providing products that help our customers enhance their

akzonobel aerospace coatings qualified product list kemipaz - Jun 13 2023

web qualified product list akzonobel aerospace coatings is the major innovative supplier of coatings to the commercial

general aviation air and land defense markets worldwide our products are approved by over 70 oem s specifiers

akzonobel and airbus making the aerospace akzonobel akzonobel - Oct 05 2022

web jun 12 2019 product innovation aimed at making the aerospace industry more sustainable has resulted in the launch of a new chromate free exterior primer developed by akzonobel and airbus newly qualified by airbus and now included in the aircraft manufacturer s specifications aerodur hs 2121 is part of akzonobel s latest generation

aerospace coatings and film akzonobel aerospace akzonobel aerospace - May 12 2023

web aerospace coating solutions from akzonobel delivering innovation for commercial aircraft air defense structural and interior cabin coatings

edition e10 hisco - Apr 11 2023

web akzonobel aerospace coatings is the major innovative supplier of coatings to the worldwide aerospace industry our products are approved by over 70 oems specifiers with hundreds of unique specifications the enclosed qualified product list validates our strength in the industry by providing products that help our customers enhance their

qualified product list metalmal - Jan 28 2022

web akzonobel aerospace coatings is the major innovative supplier of coatings to the worldwide aerospace industry our products are approved by over 70 oems specifiers with hundreds of unique specifications the enclosed qualified product list validates our strength in the industry by providing products that help our customers enhance their

technical data sheet net framework - Mar 30 2022

web qualified product list product specifications are constantly changing to ensure the most accurate information regarding specifications please check our online qualified product list qpl at aerospace akzonobel com products

pdf akzonobel aerospace coatings qualified product list akzonobel - Dec 27 2021

web akzonobel aerospace coatings qualified product list akzonobel aerospace coatings is the major innovative supplier of coatings to the commercial general aviation air and

akzonobel akzonobel - Aug 03 2022

web sep 12 2023 we ve been pioneering a world of possibilities to bring surfaces to life for well over 200 years as experts in making coatings there s a good chance you re only ever a few meters away from one of our products our world class portfolio of brands including dulux international sikkens and interpon is trusted by customers around the globe

technical data sheet net framework - Apr 30 2022

web akzonobel aerospace coatings certification qualified product list product specifications are constantly changing to ensure the most accurate information regarding specifications please check our online qualified product list qpl at aerospace akzonobel com products surface conditions

the chamber a gripping crime thriller from the sunday times - Jun 29 2023

buy the chamber a gripping crime thriller from the sunday times bestselling author of mystery and suspense 14 by grisham john isbn 9780099537076 from amazon s book store everyday low prices and free delivery on eligible orders

the chamber a novel john grisham google books - Apr 27 2023

the chamber a novel john grisham google books 1 new york times best seller a dark and thoughtful tale grisham is at his best people in the corridors of chicago s top law

the chamber a novel grisham john amazon ca books - Nov 22 2022

john grisham is the author of forty seven consecutive 1 bestsellers which have been translated into nearly fifty languages his recent books include the judge s list soley and his third jake brigance novel a time for mercy which is being developed by hbo as a limited series grisham is a two time winner of the harper lee prize for legal fiction and was

the chamber penguin books uk - Mar 27 2023

the chamber discover the power of black storytelling this black history month home john grisham the chamber john grisham the chamber a gripping crime thriller from the sunday times bestselling author of mystery and suspense select a format paperback ebook retailers amazon blackwells bookshop org foyles hive waterstones whsmith

the chamber grisham john free download borrow and - Sep 20 2022

english vi 486 pages 25 cm adam hall is in his first year at a top chicago law firm he volunteers for the toughest assignment any lawyer could ask for his prospective client doesn t want adam or his law firm he is an unrepentant and outspoken racist with a violent past

watch the chamber prime video amazon com - Mar 15 2022

the chamber from the best selling john grisham novel a young lawyer finds himself defending a racist murderer facing the death penalty who just happens to be his grandfather an intense drama with faye dunaway 1 181 imdb 6 0 1 h 52 min 1996 x ray r suspense drama downbeat emotional available to rent or buy rent hd 3 59 buy

the chamber novel wikipedia - Oct 02 2023

the chamber 1994 is a legal thriller written by american author john grisham it is grisham s fifth novel plot in 1967 in greenville mississippi the office of jewish lawyer marvin kramer is bombed injuring kramer and killing his two young sons

the chamber 1996 film wikipedia - Jun 17 2022

the chamber is a 1996 american legal thriller film directed by james foley it is based on john grisham s 1994 novel of the same name the film stars chris o donnell gene hackman faye dunaway lela rochon robert prosky raymond j barry and david marshall grant

the chamber movie review film summary 1996 roger ebert - Apr 15 2022

oct 11 1996 reviews the chamber roger ebert october 11 1996 tweet now streaming on powered by justwatch there is an unpleasant way in which the chamber and the previous john grisham thriller a time to kill linger over the racism and hate language of their characters yes the racist characters are the villains

[the chamber john grisham free download borrow and](#) - Oct 22 2022

aug 2 2022 the chamber by john grisham publication date 1994 publisher bca collection printdisabled internetarchivebooks contributor internet archive language english access restricted item true addeddate 2022 08 02 23 01 02 autocrop version 0 0 14 books 20220331 0 2 bookplateleaf 0003 boxid ia40625118 camera

the chamber by john grisham publishers weekly - Dec 24 2022

the chamber john grisham doubleday 29 95 496pp isbn 978 0 385 42472 1 the chamber in question is the gas chamber at the mississippi state penitentiary and for 69 year old sam crayhall the

the chamber by john grisham 9780385339667 penguin - Feb 23 2023

john grisham is the author of thirty novels one work of nonfiction a collection of stories and six novels for young readers product details category suspense thriller

the chamber youtube - Feb 11 2022

r youtube movies tv 175m subscribers chris o donnell two time academy award winner gene hackman and oscar winner faye dunaway star in this gripping suspense thriller based on john

the chamber grisham john free download borrow and - Aug 20 2022

english in mississippi a young lawyer races against time to save his grandfather from the gas chamber the grandfather was tried three times for a ku klux klan bombing which killed two civil rights workers in 1967 he was found innocent twice but guilty the third time by the author of a time to kill access restricted item true addeddate

the chamber 1996 full cast crew imdb - May 17 2022

the chamber 1996 cast and crew credits including actors actresses directors writers and more

the chamber john grisham - Sep 01 2023

the chamber in the corridors of chicago s top law firm twenty six year old adam hall stands on the brink of a brilliant legal career now he is risking it all for a death row killer and an impossible case maximum security unit mississippi state prison

the chamber by john grisham goodreads - Jul 31 2023

may 1 1994 the chamber 1994 is a legal thriller written by american author john grisham it is grisham s fifth novel in 1967 in greenville mississippi the office of jewish lawyer marvin kramer is bombed injuring kramer and killing his two young sons

the chamber summary supersummary - May 29 2023

plot summary the chamber is the 1994 legal crime novel written by bestselling author john grisham set in contemporary

mississippi with flashbacks to the 1960s the story revolves around adam hall a rising 26 year old lawyer destined for a brilliant legal career at

a book review of the chamber by john grisham owlcation - Jul 19 2022

aug 14 2023 plot summary what makes a person join an organization like the ku klux klan sam cayhall s father was a member of that hate group other people in the area where he grew up were also members he fell into step as if it was the natural thing to do an old cliché is the following an acorn does not fall far from the tree

the chamber a gripping crime thriller from the sunday times - Jan 25 2023

apr 20 2010 john grisham is the author of forty seven consecutive 1 bestsellers which have been translated into nearly fifty languages his recent books include the judge s list soley and his third jake brigance novel a time for mercy which is being developed by hbo as a limited series grisham is a two time winner of the harper lee prize for legal fiction and was