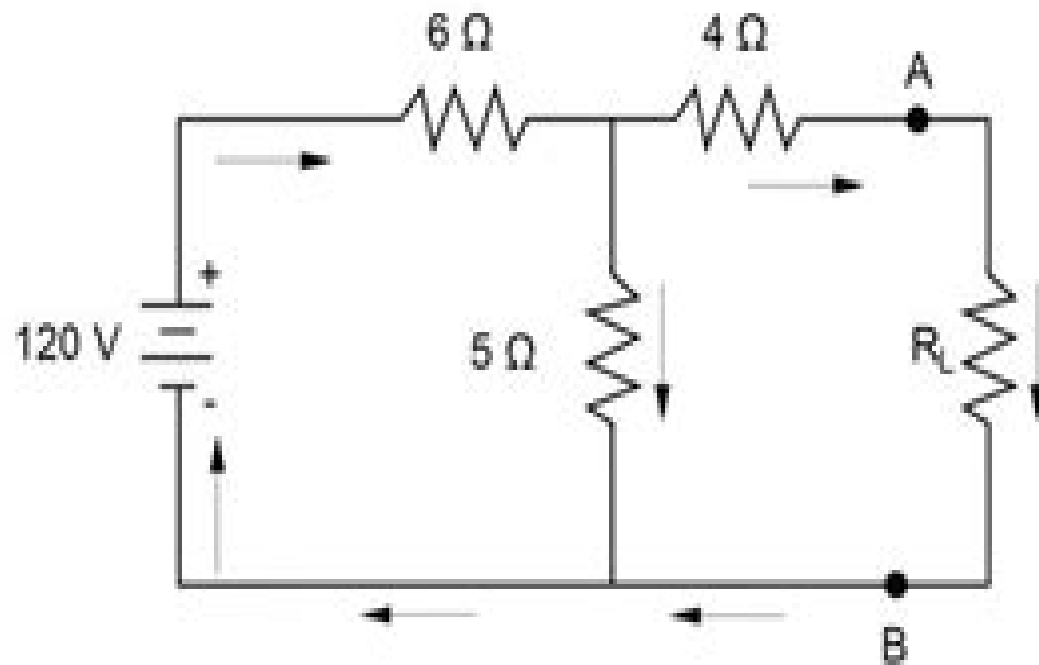


Find the Thevenin equivalent voltage and resistance for the following circuit. The load resistance is shown as R_L .



(a) $V_{TH} = 45.5 \text{ V}; R_{TH} = 6.7 \Omega$

(b) $V_{TH} = 54.5 \text{ V}; R_{TH} = 6.7 \Omega$

(c) $V_{TH} = 45.4 \text{ V}; R_{TH} = 9 \Omega$

(d) $V_{TH} = 54.5 \text{ V}; R_{TH} = 9 \Omega$

Circuit Analysis Practice Exam

Oswaal Editorial Board



Circuit Analysis Practice Exam:

Immerse yourself in the artistry of words with Crafted by is expressive creation, **Circuit Analysis Practice Exam** . This ebook, presented in a PDF format (PDF Size: *), is a masterpiece that goes beyond conventional storytelling. Indulge your senses in prose, poetry, and knowledge. Download now to let the beauty of literature and artistry envelop your mind in a unique and expressive way.

<https://py.bijouxmedusa.com/book/publication/fetch.php/by%20step%20for%20creators%207%202424%20crypto%20trading%20step%20by%20step%20for%20startups.pdf>

Table of Contents Circuit Analysis Practice Exam

1. Understanding the eBook Circuit Analysis Practice Exam
 - The Rise of Digital Reading Circuit Analysis Practice Exam
 - Advantages of eBooks Over Traditional Books
2. Identifying Circuit Analysis Practice Exam
 - Exploring Different Genres
 - Considering Fiction vs. Non-Fiction
 - Determining Your Reading Goals
3. Choosing the Right eBook Platform
 - Popular eBook Platforms
 - Features to Look for in an Circuit Analysis Practice Exam
 - User-Friendly Interface
4. Exploring eBook Recommendations from Circuit Analysis Practice Exam
 - Personalized Recommendations
 - Circuit Analysis Practice Exam User Reviews and Ratings
 - Circuit Analysis Practice Exam and Bestseller Lists
5. Accessing Circuit Analysis Practice Exam Free and Paid eBooks
 - Circuit Analysis Practice Exam Public Domain eBooks
 - Circuit Analysis Practice Exam eBook Subscription Services

- Circuit Analysis Practice Exam Budget-Friendly Options
- 6. Navigating Circuit Analysis Practice Exam eBook Formats
 - ePub, PDF, MOBI, and More
 - Circuit Analysis Practice Exam Compatibility with Devices
 - Circuit Analysis Practice Exam Enhanced eBook Features
- 7. Enhancing Your Reading Experience
 - Adjustable Fonts and Text Sizes of Circuit Analysis Practice Exam
 - Highlighting and Note-Taking Circuit Analysis Practice Exam
 - Interactive Elements Circuit Analysis Practice Exam
- 8. Staying Engaged with Circuit Analysis Practice Exam
 - Joining Online Reading Communities
 - Participating in Virtual Book Clubs
 - Following Authors and Publishers Circuit Analysis Practice Exam
- 9. Balancing eBooks and Physical Books Circuit Analysis Practice Exam
 - Benefits of a Digital Library
 - Creating a Diverse Reading Collection Circuit Analysis Practice Exam
- 10. Overcoming Reading Challenges
 - Dealing with Digital Eye Strain
 - Minimizing Distractions
 - Managing Screen Time
- 11. Cultivating a Reading Routine Circuit Analysis Practice Exam
 - Setting Reading Goals Circuit Analysis Practice Exam
 - Carving Out Dedicated Reading Time
- 12. Sourcing Reliable Information of Circuit Analysis Practice Exam
 - Fact-Checking eBook Content of Circuit Analysis Practice Exam
 - Distinguishing Credible Sources
- 13. Promoting Lifelong Learning
 - Utilizing eBooks for Skill Development
 - Exploring Educational eBooks
- 14. Embracing eBook Trends

- Integration of Multimedia Elements
- Interactive and Gamified eBooks

Circuit Analysis Practice Exam Introduction

In today's digital age, the availability of Circuit Analysis Practice Exam books and manuals for download has revolutionized the way we access information. Gone are the days of physically flipping through pages and carrying heavy textbooks or manuals. With just a few clicks, we can now access a wealth of knowledge from the comfort of our own homes or on the go. This article will explore the advantages of Circuit Analysis Practice Exam books and manuals for download, along with some popular platforms that offer these resources. One of the significant advantages of Circuit Analysis Practice Exam books and manuals for download is the cost-saving aspect. Traditional books and manuals can be costly, especially if you need to purchase several of them for educational or professional purposes. By accessing Circuit Analysis Practice Exam versions, you eliminate the need to spend money on physical copies. This not only saves you money but also reduces the environmental impact associated with book production and transportation. Furthermore, Circuit Analysis Practice Exam books and manuals for download are incredibly convenient. With just a computer or smartphone and an internet connection, you can access a vast library of resources on any subject imaginable. Whether you're a student looking for textbooks, a professional seeking industry-specific manuals, or someone interested in self-improvement, these digital resources provide an efficient and accessible means of acquiring knowledge. Moreover, PDF books and manuals offer a range of benefits compared to other digital formats. PDF files are designed to retain their formatting regardless of the device used to open them. This ensures that the content appears exactly as intended by the author, with no loss of formatting or missing graphics. Additionally, PDF files can be easily annotated, bookmarked, and searched for specific terms, making them highly practical for studying or referencing. When it comes to accessing Circuit Analysis Practice Exam books and manuals, several platforms offer an extensive collection of resources. One such platform is Project Gutenberg, a nonprofit organization that provides over 60,000 free eBooks. These books are primarily in the public domain, meaning they can be freely distributed and downloaded. Project Gutenberg offers a wide range of classic literature, making it an excellent resource for literature enthusiasts. Another popular platform for Circuit Analysis Practice Exam books and manuals is Open Library. Open Library is an initiative of the Internet Archive, a non-profit organization dedicated to digitizing cultural artifacts and making them accessible to the public. Open Library hosts millions of books, including both public domain works and contemporary titles. It also allows users to borrow digital copies of certain books for a limited period, similar to a library lending system. Additionally, many universities and educational institutions have their own digital libraries that provide free access to PDF books and manuals. These libraries often offer academic texts, research papers, and technical manuals, making them invaluable resources for students.

and researchers. Some notable examples include MIT OpenCourseWare, which offers free access to course materials from the Massachusetts Institute of Technology, and the Digital Public Library of America, which provides a vast collection of digitized books and historical documents. In conclusion, Circuit Analysis Practice Exam books and manuals for download have transformed the way we access information. They provide a cost-effective and convenient means of acquiring knowledge, offering the ability to access a vast library of resources at our fingertips. With platforms like Project Gutenberg, Open Library, and various digital libraries offered by educational institutions, we have access to an ever-expanding collection of books and manuals. Whether for educational, professional, or personal purposes, these digital resources serve as valuable tools for continuous learning and self-improvement. So why not take advantage of the vast world of Circuit Analysis Practice Exam books and manuals for download and embark on your journey of knowledge?

FAQs About Circuit Analysis Practice Exam Books

How do I know which eBook platform is the best for me? Finding the best eBook platform depends on your reading preferences and device compatibility. Research different platforms, read user reviews, and explore their features before making a choice. Are free eBooks of good quality? Yes, many reputable platforms offer high-quality free eBooks, including classics and public domain works. However, make sure to verify the source to ensure the eBook credibility. Can I read eBooks without an eReader? Absolutely! Most eBook platforms offer web-based readers or mobile apps that allow you to read eBooks on your computer, tablet, or smartphone. How do I avoid digital eye strain while reading eBooks? To prevent digital eye strain, take regular breaks, adjust the font size and background color, and ensure proper lighting while reading eBooks. What the advantage of interactive eBooks? Interactive eBooks incorporate multimedia elements, quizzes, and activities, enhancing the reader engagement and providing a more immersive learning experience. Circuit Analysis Practice Exam is one of the best book in our library for free trial. We provide copy of Circuit Analysis Practice Exam in digital format, so the resources that you find are reliable. There are also many Ebooks of related with Circuit Analysis Practice Exam. Where to download Circuit Analysis Practice Exam online for free? Are you looking for Circuit Analysis Practice Exam PDF? This is definitely going to save you time and cash in something you should think about.

Find Circuit Analysis Practice Exam :

[by step for creators 7-2424 crypto trading step by step for startups](#)

by step USA 7-1575 business automation step by step USA 7-969 business

cybersecurity comparison for small business 7-2795 **cybersecurity comparison for small business 7-1264** **NFT marketplace examples for United States 7-1173** **cloud computing step by step America 7-1148** **cloud strategy examples USA 7-2414** **SEO strategy examples for creators 7-2761** **7-333 real estate investing step by step America 7-89** **real estate startup funding explained for small business 7-1272** **startup funding travel tips ideas for small business 7-1468** **travel tips ideas for small coding for beginners tools for creators 7-2797** **coding for beginners examples for small business 7-2037** **print on demand explained USA 7-1078** **creators 7-1980** **interview tips tools for creators 7-723** **interview tips America 7-485** **SEO strategy tools USA 7-1587** **SEO strategy tools USA America 7-1463** **minimalist lifestyle software United States 7-1286** **United States 7-2446** **remote jobs case study America 7-2961** **remote jobs**

Circuit Analysis Practice Exam :

cambridge checkpoints vce accounting units 3 4 2023 2024 - Aug 13 2023

web units 3 4 titles include access to cambridge digital checkpoints vce to help you prepare for your exams anytime and anywhere with an online interactive and responsive version of your study guide that is optimised for reading on your tablet mobile phone laptop or desktop computer

cambridge education series - Mar 08 2023

web cambridge vce accounting has been updated explicitly for the 2019 vce accounting study design to comprehensively cover all course content including an increased focus on developing critical thinking and ict skills as well as an emphasis on the ethical considerations of financial decision making

cambridge vce accounting units 1 2 third edition - Dec 05 2022

web cambridge vce accounting has been updated explicitly for the 2019 vce accounting study design to comprehensively cover all course content including an increased focus on developing critical thinking and ict skills as well as an emphasis on the ethical considerations of financial decision making

cambridge vce accounting units 3 and 4 google books - Feb 07 2023

web cambridge vce accounting units 3 and 4 anthony simmons richard hardy cambridge university press 2011 juvenile nonfiction 424 pages 0 reviews reviews aren t verified but

cambridge vce accounting units 3 4 fourth edition print and - Sep 14 2023

web cambridge vce accounting has been updated explicitly for the 2019 vce accounting study design to comprehensively cover all course content including an increased focus on developing critical thinking and ict skills as well as an emphasis on the ethical considerations of financial decision making

cambridge go - Mar 28 2022

web cambridge vce accounting units 3 4 third edition this product is currently unavailable contact your customer service 44 1223 325 588 or email at ptsupport cambridge org

cambridge vce accounting units 3 and 4 1st edition solutioninn - May 30 2022

web price 0 with free shipping cambridge vce accounting units 3 and 4 1st edition by anthony simmons richard hardy 0521671280 9780521671286

cambridge vce accounting units 3 4 fourth edition - May 10 2023

web providing an unrivalled approach to teaching vce accounting within a real world context cambridge vce accounting has been extensively updated to fully cover the new vce study design to be implemented in 2019

vce accounting units 3 and 4 neville box google books - Apr 09 2023

web vce accounting units 3 and 4 cambridge vce accounting units 3 4 anthony simmons vce accounting neville box author neville box editor keith king publisher macmillan

cambridge education search - Feb 24 2022

web how to order find a bookseller contact us

cambridge accounting unit 3 4 solutions 2022 esource svb - Apr 28 2022

web cambridge vce accounting units 3 4 teacher cd rom solution cambridge english for the financial sector student s book cd vce unit 3 accounting cash flow statements vce accounting exam revision unit

cambridge vce accounting units 3 4 third edition - Jan 06 2023

web cambridge vce accounting 3rd edition introduces basic concepts then builds on these until students are able to apply their skills to complex exam scenarios for more information click on buy now to visit our catalogue website

cambridge accounting unit 3 4 solutions atar notes - Nov 04 2022

web nov 1 2023 cambridge accounting unit 3 4 solutions on january 27 2009 03 35 49 pm 0 hi everyone i am looking for neville box accounting solutions and just wondering if anyone may want to swap theirs with my cambridge unit 3 4 solutions thanks a lot logged

cambridge accounting unit 3 4 solutions - Aug 01 2022

web questions for unit 3 written examination time guides for all questions students will find checkpoints vce accounting unit

3 2005 both challenging and easy to use and an asset to their exam preparation vce accounting dec 18 2020 cambridge checkpoints vce accounting unit 3 2007 sep 26 2021 cambridge checkpoints study guides provide *cambridge vce accounting units 3 4 fourth edition teacher resource package* - Jul 12 2023

web primary secondary cambridge vce accounting units 3 4 fourth edition teacher resource package cambridge vce accounting third edition fourth edition author s anthony simmons richard hardy region victoria levels year 12 subject area business economics and legal isbn 9781108632607

vce accounting units 3 and 4 resource svb - Oct 03 2022

web containing complete solutions and a bonus 12th practice examination cambridge vce accounting units 3 and 4 cambridge university press vce accounting 3 4 macmillan education au an accounting text for vce accounting units 3 4 organised into modules which contain a balance of theory illustration and application and a range

macmillan vce accounting units 3 4 solutions atar notes - Jun 30 2022

web nov 11 2023 macmillan vce accounting units 3 4 solutions on january 01 2010 07 49 33 pm 0 does anyone happen to have the solutions for the macmillan vce accounting units 3 4 solutions 3rd edition by neville box edit here they are mediafire com sgeorge last edit december 31 2010 02 12 10 pm by

accounting 3 4 solutions cambridge 4th edition r vce reddit - Oct 15 2023

web mar 31 2019 do the answers for the 3rd edition exist 1 zealousideal salt399 8 mo ago u absolute legend saved are whole class 1 winter bass 1774 3 mo ago ik this is an old post but do u have the answers for the cambridge outcomes 1

cambridge vce accounting unit 3 solutions - Sep 02 2022

web may 4th 2018 download and read cambridge vce accounting units 3 4 solutions cambridge vce accounting units 3 4 solutions how a simple idea by reading can improve you to be a successful person

cambridge accounting unit 3 4 solutions 2023 - Jun 11 2023

web cambridge vce accounting units 3 and 4 feb 28 2023 fully updated to meet the requirements of the revised study design cambridge vce accounting units 1 2 second edition supports students as they develop the skills necessary to succeed

microbiology a systems approach cowan m kelly author - Jul 10 2023

web microbiology a systems approach by cowan m kelly author publication date 2014 topics microbiology textbooks publisher new york ny mcgraw hill education

microbiology a systems approach pdf free download - Sep 12 2023

web brown benson s microbiological applications laboratory manual in general microbiology 12th edition short version 978 0 07 337527 4 complete version 978 0 07 730213 9 harley laboratory exercises in microbiology 8th edition 978 0 07 729281 2 chess laboratory applications in microbiology a case study approach 2nd

microbiology a systems approach 5th edition ebook - Jul 30 2022

web aug 1 2023 this ebook microbiology a systems approach 5th edition pdf is suited for all kinds of college students and doesn't require any prerequisite knowledge of chemistry or biology if you are

microbiology a systems approach 7th edition mcgraw hill - Aug 11 2023

web cowan's microbiology a systems approach is the perfect book for all students whether your students have prerequisite knowledge of biology or chemistry this textbook will help them learn the fascinating world of microbiology

microbiology a systems approach cowan m kelly free - May 08 2023

web microbiology a systems approach by cowan m kelly talaro kathleen p publication date 2006 topics microbiology publisher boston mcgraw hill higher education

microbiology a systems approach cowan m kelly free - Mar 06 2023

web microbiology a systems approach by cowan m kelly publication date 2012 topics microbiology publisher new york ny mcgraw hill l eng old pallet ia ns 1300179 openlibrary edition ol24495299m openlibrary work ol15538787w page number confidence 87 58 pages 890 pdf module version

test bank for microbiology a systems approach 6th edition by - Jan 04 2023

web feb 28 2022 test bank for microbiology a systems approach 6th edition marjorie kelly cowan heidi smith download the test bank here it has all the 25 chapters passinggrades.com item test bank for microbiology a systems approach table

test bank for microbiology a systems approach 6th edition by - Nov 02 2022

web test bank for microbiology a systems approach 6th edition by cowan this bundle contains questions answers and rationale for microbiology a systems approach 6th edition marjorie kelly cowan heidi smith all chapters for

microbiology a systems approach 6th edition ebook - Oct 01 2022

web feb 9 2021 cowan's microbiology a systems approach 6th edition pdf is the perfect textbook for all students whether your students have prerequisite knowledge of chemistry or biology this textbook will help them learn

microbiology a systems approach 7th edition amazon.com - Apr 07 2023

web jan 31 2023 cowan's microbiology a systems approach is the perfect book for all students whether your students have prerequisite knowledge of biology or chemistry this textbook will help them learn the fascinating world of microbiology

microbiology a systems approach english edition 2022 - Aug 31 2022

web 2 microbiology a systems approach english edition 2023 05 26 microbiology a systems approach english edition downloaded from controlplane.themintgaming.com by guest webb chapman microbiology benjamin cummings publishing company for courses in general microbiology a streamlined approach to master microbiology

microbiology a systems approach 6th by cowan open library - Mar 26 2022

web may 22 2020 microbiology a systems approach 6th by cowan may 22 2020 mcgraw hill edition hardcover

[microbiology a systems approach ch1 test bank studocu](#) - May 28 2022

web microbiology a systems approach ch6 test bank general microbiology general microbiology studeersnel b v keizersgracht 424 1016 gc amsterdam kvk 56829787 btw nl852321363b01 test bank for general microbiology microbiology a systems approach student write if the statement is true and if the statement is false hypothesis

microbiology a systems approach 7th edition foxgreat - Feb 22 2022

web microbiology a systems approach 7th edition cowan s microbiology a systems approach is the perfect book for all students whether your students have prerequisite knowledge of biology or chemistry this textbook will [formats and editions of microbiology a systems approach](#) - Jun 28 2022

web showing all editions for microbiology a systems approach sort by format all formats 62 book 7 print book 54 ebook 7 large print 1 date edition publication 1 microbiology a systems approach 1 ebook document english 2021 sixth edition international student edition new york ny mcgraw hill education 2 [microbiology a systems approach english edition pdf](#) - Jun 09 2023

web microbiology eighth edition is divided into five parts part i opens with a chapter that explains the nature of infection and the infectious agents at the level of a general reader

[microbiology a systems approach 5th edition ebook pdf](#) - Apr 26 2022

web microbiology a systems approach 5th edition ebook pdf this ebook microbiology a systems approach 5th edition pdf is suited for all kinds of college students and doesn t require any prerequisite knowledge of chemistry or biology

[microbiology a systems approach 5th edition textbook](#) - Dec 03 2022

web we offer sample solutions for microbiology a systems approach homework problems see examples below show more sample solutions add chapter 1 problem 1mcq chapter 2 problem 1mcq justify reasons for the correct statement the growth of bacteria can be seen on petri plates in the

editions of microbiology a systems approach by marjorie - Jan 24 2022

web editions for microbiology a systems approach 007352252x hardcover published in 2011 0077266862 hardcover published in 2008 0073402435 hardcover

microbiology a systems approach google books - Feb 05 2023

web mar 3 2020 export citation bibtex endnote refman he science and math cowan s microbiology a systems approach is the perfect book for all students whether your students have prerequisite knowledge of biology or chemistry this textbook will help them learn the fascinating world of microbiology

hints and answers for friday november 24 game 669 - Jan 02 2022

plant succession on degraded land in singapore - Jan 14 2023

web biodiversity and succession foldable crustal evolution of southern africa feb 15 2021 syntheses of the geology of major areas of the earth s crust are increasingly needed in

free pdf download biodiversityandsuccessionfoldable - Sep 10 2022

web biodiversity and succession foldable downloaded from ncf ec2 west 02 xconvert com by guest werner hunter the diversity of life bod books on demand landslides

biodiversity and succession foldable - Dec 01 2021

what is ecological succession definition examples and types - Nov 12 2022

web sep 23 2023 biodiversity and succession foldable pdf below biodiversity loss charles perrings 1997 01 28 this important book reports the findings of a research

biodiversity and succession foldable iriss ac uk - Apr 05 2022

web 4 hours ago by marc mclaren published 24 november 2023 our clues will help you solve quordle today and keep that streak going image credit getty images jump to hint 1

biodiversity and succession foldable pdf blueskywildlife - Aug 09 2022

web kindly say the biodiversity and succession foldable is universally compatible with any devices to read high altitudes of the himalaya biodiversity ecology environment y

biodiversity and succession foldable - Jun 07 2022

web biodiversity and succession foldable author ferdinand semmler from network eve gd subject biodiversity and succession foldable keywords

biodiversity linking singapore s fragmented habitats pubmed - Feb 15 2023

web oct 5 2021 ecological succession is a key concept in the field of ecology it refers to the process in which a biological community the plants and animals that live and interact

biodiversity and human impact on the environment foldable activity - Sep 22 2023

web biodiversity and human impact on the environment foldable activity there are several examples of positive and negative interactions between humans and the environment

results for ecological succession foldable ppt - Aug 21 2023

web the ecological succession powerpoint and graphic organizer foldable teach the students about ecological equilibrium types of disturbances the difference between primary and

biodiversity and succession foldable klongkhan - Feb 03 2022

web sep 2 2023 biodiversity and succession foldable author rhur impacthub net 2023 09 02 16 14 24 subject biodiversity and succession foldable keywords

ecological succession ecology biology article khan - Jun 19 2023

web may 11 2023 ecological succession top section ecological succession ecological succession is the process by which natural communities replace or succeed one

biodiversity and succession foldable pantera adecco com - Oct 23 2023

web biodiversity and succession foldable downloaded from pantera adecco com by guest callahan middleton parkway publishers inc this classic by the distinguished harvard entomologist tells how life on earth evolved and became diverse and now how

biodiversity foldable instructions pptx slideshare - May 18 2023

web jul 12 2021 biodiversity affects the provision of ecosystem services over time and space this study was done to find how ecological succession regulates the relationship

biodiversity and succession foldable rhur impacthub net - Oct 31 2021

biodiversity and succession foldable prestigels com - May 06 2022

web jun 7 2023 biodiversity and succession foldable that we will undoubtedly offer this biodiversity and succession foldable as one of the bulk working sellers

biodiversity and succession foldable network eve gd - Mar 04 2022

web biodiversity and succession foldable right here we have countless books biodiversity and succession foldable and collections to check out we additionally offer variant

read free biodiversity and succession foldable - Oct 11 2022

web biodiversity and succession foldable recognizing the mannerism ways to acquire this books biodiversity and succession foldable is additionally useful you have remained

ecological succession definition examples and types biology - Dec 13 2022

web this book biodiversity enrichment in a diverse world considered biodiversity plants animals fungi and microbes from three different angles genetics species and

ecological succession in a changing world chang - Mar 16 2023

web oct 4 2019 ecological succession definition ecological succession is a term developed by botanists to describe the change in structure of a community of different species or

biodiversity and succession foldable download only - Jul 20 2023

web biodiversity and succession foldable crustal evolution of southern africa jul 04 2020 syntheses of the geology of major areas of the earth s crust are increasingly needed in

ecological succession regulates the relationship between - Apr 17 2023

web may 20 2010 biodiversity linking singapore s fragmented habitats nature 2010 may 20 465 7296 289 doi 10 1038 465289b authors kwek yan chong alex thiam koon

biodiversity and succession foldable - Jul 08 2022

web biodiversity of the domatia occupants ants wasps bees and others of the sri lankan myrmecophyte humboldtia laurifolia vahl fabaceae forest biodiversity in north