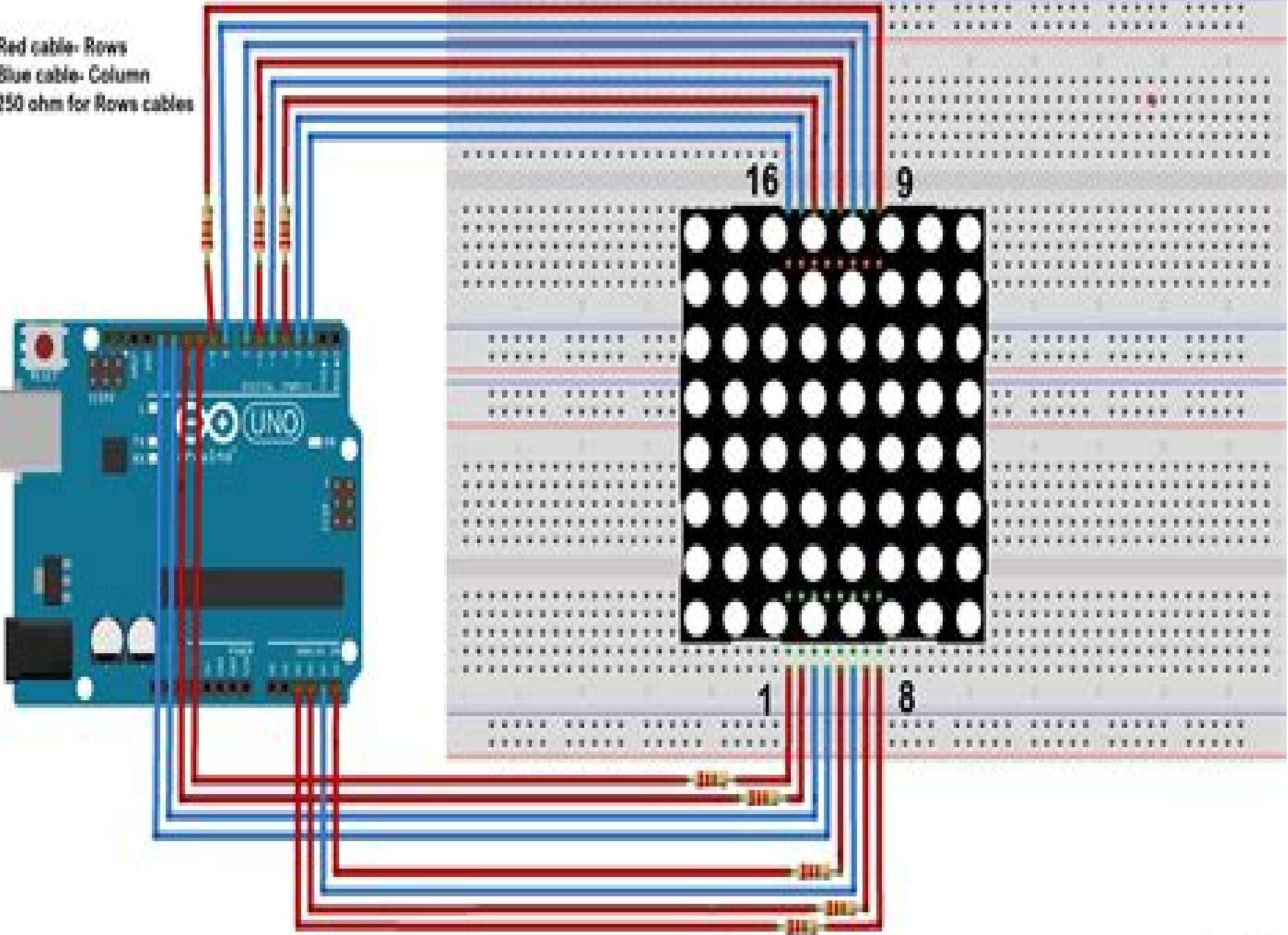


Red cable- Rows
Blue cable- Column
250 ohm for Rows cables



Arduino Projects With 8x8 Led Matrix Sdocuments

Robert J. Davis, II



Arduino Projects With 8x8 Led Matrix Sdocuments:

TinkerCAD Circuits Reference Handbook Udayakumar G.Kulkarni,2025-02-15 This TinkerCAD Circuits Reference Handbook is your indispensable guide to navigating the TinkerCAD Circuits platform Designed for students educators hobbyists and engineers this handbook provides a structured and progressive approach to learning offering clear explanations detailed component information and practical guidance This is not designed as a textbook but rather a quick access reference for all of the tools and functions available within TinkerCAD Circuits Learn to build circuits simulate designs and troubleshoot common problems with a variety of components from basic elements like resistors and LEDs to advanced integrated circuits sensors and microcontrollers This handbook also includes valuable appendices with troubleshooting tips component datasheets search term and a glossary of key terms Whether you re starting out or seeking a quick reference this handbook will help you make the most of TinkerCAD Circuits For further details resources visit <https://sites.google.com/view/myspacemywork/home> Tags TinkerCAD Circuits Electronics Simulation Arduino Microcontroller LED Sensors Circuit Design Electronics Education DIY Electronics STEM Education Engineering Online Learning Virtual Lab Breadboard Electronic Components Project Based Learning Educational Technology Technology Engineering Reference Handbook Quick Reference Guide Components Manual Circuit Simulation Troubleshooting Guide *DIY Microcontroller Projects for Hobbyists* Miguel Angel Garcia-Ruiz,Pedro Cesar Santana Mancilla,2021-07-30 A practical guide to building PIC and STM32 microcontroller board applications with C and C programming Key Features Discover how to apply microcontroller boards in real life to create interesting IoT projects Create innovative solutions to help improve the lives of people affected by the COVID 19 pandemic Design build program and test microcontroller based projects with the C and C programming language Book DescriptionWe live in a world surrounded by electronic devices and microcontrollers are the brains of these devices Microcontroller programming is an essential skill in the era of the Internet of Things IoT and this book helps you to get up to speed with it by working through projects for designing and developing embedded apps with microcontroller boards DIY Microcontroller Projects for Hobbyists are filled with microcontroller programming C and C language constructs You ll discover how to use the Blue Pill containing a type of STM32 microcontroller and Curiosity Nano containing a type of PIC microcontroller boards for executing your projects as PIC is a beginner level board and STM 32 is an ARM Cortex based board Later you ll explore the fundamentals of digital electronics and microcontroller board programming The book uses examples such as measuring humidity and temperature in an environment to help you gain hands on project experience You ll build on your knowledge as you create IoT projects by applying more complex sensors Finally you ll find out how to plan for a microcontroller based project and troubleshoot it By the end of this book you ll have developed a firm foundation in electronics and practical PIC and STM32 microcontroller programming and interfacing adding valuable skills to your professional portfolio What you will learn Get to grips with the basics of digital and analog electronics Design build program

and test a microcontroller based system Understand the importance and applications of STM32 and PIC microcontrollers Discover how to connect sensors to microcontroller boards Find out how to obtain sensor data via coding Use microcontroller boards in real life and practical projects Who this book is for This STM32 PIC microcontroller book is for students hobbyists and engineers who want to explore the world of embedded systems and microcontroller programming Beginners as well as more experienced users of digital electronics and microcontrollers will also find this book useful Basic knowledge of digital circuits and C and C programming will be helpful but not necessary **Full Circle Magazine #94** Ronnie Tucker,2015-02-27 This month Command Conquer How To Block Calls LibreOffice and Using i2P Graphics Inkscape Linux Labs BTRFS Book Review Practical Data Science Cookbook Ubuntu Games War Thunder plus News Arduino Q A and soooo much more [Raspberry Pi Mechatronics Projects HOTSHOT](#) Sai Yamanoor,Srihari Yamanoor,2015-02-26 This book is targeted towards beginners and intermediate designers of mechatronic systems and embedded system design Some familiarity with the Raspberry Pi and Python programming is preferred but not required *Arduino Applied* Neil Cameron,2018-12-26 Extend the range of your Arduino skills incorporate the new developments in both hardware and software and understand how the electronic applications function in everyday life This project based book extends the Arduino Uno starter kits and increases knowledge of microcontrollers in electronic applications Learn how to build complex Arduino projects break them down into smaller ones and then enhance them thereby broadening your understanding of each topic You ll use the Arduino Uno in a range of applications such as a blinking LED route mapping with a mobile GPS system and uploading information to the internet You ll also apply the Arduino Uno to sensors collecting and displaying information Bluetooth and wireless communications digital image captures route tracking with GPS controlling motors color and sound building robots and internet access With Arduino Applied prior knowledge of electronics is not required as each topic is described and illustrated with examples using the Arduino Uno What You ll Learn Set up the Arduino Uno and its programming environment Understand the application of electronics in every day systems Build projects with a microcontroller and readily available electronic components Who This Book Is For Readers with an Arduino starter kit and little to no programming experience and those interested in how electronic appliances work **Arduino Projects Vol-I** Manoj R. Thakur, World s first book that is not meant for only reading You can actually try these project using Proteus simulation software and learn more This book comes with Proteus simulation files which are provided on download link which is mentioned in this book You can try all possible things with this great project book and make new inventions and explore your creativity After the huge success of Measurement Made simple with arduino book this book came to realities *Arduino LED Cube Projects* Robert J. Davis II.,2015-05-15 How to make 4x4x4 8x8x8 and 8x8x8 Color LED Cubes with sample programs *Arduino Projects for Engineers* Neerparaj Rai,2018-05-31 Providing 24 projects with wiring diagrams and the programs required to complete each one this book covers both the software and hardware aspects of each project

and will help students create their own innovative prototypes

Arduino Made Simple Pajankar Ashwin,2019-09-20 Arduino is an open source electronic prototyping platform based on flexible easy to use hardware and software Key features Comprehensive coverage of various aspects of Arduino basics ecosystem and Arduino IDE Covers Arduino Uno Arduino Nano and introduces to the latest Arduino Tian which runs Linux Simple language crystal clear approach and straight forward comprehensible presentation Adopting user friendly style for explanation of circuit and code examples Illustrated with circuit diagrams screenshots and photographs DescriptionThe book is written in such a way that the concepts are explained in detail giving adequate emphasis on circuits and code examples To make the topics more comprehensive circuit diagrams and code snippets are furnished extensively throughout the book The book is designed in such a way to make it reader focused and contains latest topics circuit diagrams code examples reference The book also features the most current and popular Arduino boards It teaches novice beginners how to create interesting electronics project with Arduino platform and ecosystem It also benefits the professional level programmers to get started with Arduino platform and ecosystem What will you learn Arduino Arduino PWM Writing Programs for Arduino LED Programming Programming with Push Buttons Analog Inputs and Various Buses Working With Displays Sound and Sensors Arrays strings and memory Matrix Keypad And Security System SD Card Module IR Receiver and Relay Arduino Nano and Arduino TianWho this book is for Students pursuing BE BSc ME MSc BTech MTech in Computer Science Electronics Electrical Table of contents1 Introduction to Arduino2 Getting Started3 Writing Programs for Arduino4 LED Programming5 Programming with Push Buttons6 Analog Inputs and Various Buses7 Working With Displays8 Arrays strings and memory9 Working with Sound and Sensors10 More Sensors11 Arduino PWM12 Matrix Keypad And Security System13 SD Card Module IR Receiver and Relay14 Arduino Nano and Arduino Tian15 Miscellaneous Topics16 Important Questions Unsolved About the authorAshwin Pajankar is a polymath He is a Science Popularizer a Programmer a Maker an Author and a Youtuber He is passionate about STEM Science Technology Education Mathematics education He is also a freelance software developer and technology trainer He graduated from IIIT Hyderabad with M Tech in Computer Science and Engineering He has worked in a few multinational corporations including Cisco Systems and Cognizant for more than a decade His Website <http://www.ashwinpajankar.com> His LinkedIn Profile <https://www.linkedin.com/in/ashwinpajankar>

DIY LED Project With Arduino Fermin Nguyen,2021-03-16 Providing simple projects to teach you the basics of LED projects with Arduino and how to program them This book contains over a dozen practical projects for the Arduino processor Most require just some LEDs and some switches Progresses from a few LEDs to LED arrays and even LED based signs

Shaking Arduino Dice Mehmet AVCU,2021-07-16 Shaking Arduino Dice *Arduino Led Projects* Robert J. Davis, II,2013-03-31 Many projects for your Arduino that use LED s such as quiz machine wheel of prizes LED arrays and others

48x8 Scrolling Led Matrix Using Arduino Mehmet AVCU,2021-01-07 **ARDUINO MADE SIMPLE** Ashwin Pajankar,2018-05-31 Description This book is written in such a way that the concepts are explained in details giving

adequate emphasis on circuits and code examples To make the topics more comprehensive circuit diagrams and code snippets are furnished extensively throughout the book The book is designed in such a way to make it reader focused and contains latest topics circuit diagrams code examples references The book features the most current and popular Arduino boards It teaches novice beginners how to create interesting electronics projects with Arduino platform and ecosystem It also benefits the professional level programmers to get shared with Arduino platform ecosystem Key features A Comprehensive coverage of various aspects of Aduino basics ecosystem and Arduino IDE A Covers Arduino Uno Arduino Nano and introduces to the latest Arduino Tian which runs Linux A Simple language crystal clear approach and straight forward comprehensible presentation A Adopting user friendly style for explanation of circuits and code examples A Illustrated with circuit diagrams screenshots and photographs A CD contains Circuit diagrams and code Table of Contents 1 Introduction to Arduino 2 Getting Started 3 Writing Programs for Arduino 4 LED Programming 5 Programming with Push Buttons 6 Analog Inputs and Various Buses 7 Working with Displays 8 Arrays strings and memory 9 Working with Sound and Sensors 10 More Sensors 11 Arduino PWM 12 Matrix Keypad and Security System 13 SD Card Module IR Receiver and Relay 14 Arduino Nano and Arduino Tian 15 Miscellaneous Topics

Programming Arduino with LabVIEW

Marco Schwartz, Oliver Manickum, 2015-01-27 If you already have some experience with LabVIEW and want to apply your skills to control physical objects and make measurements using the Arduino sensor this book is for you Prior knowledge of Arduino and LabVIEW is essential to fully understand the projects detailed in this book

[The TAB Book of Arduino Projects: 36 Things to Make with Shields and Proto Shields](#) Simon Monk, 2014-11-05 The ultimate collection of DIY Arduino projects In this easy to follow book electronics guru Simon Monk shows you how to create a wide variety of fun and functional gadgets with the Arduino Uno and Leonardo boards Filled with step by step instructions and detailed illustrations The TAB Book of Arduino Projects 36 Things to Make with Shields and Proto Shields provides a cost estimate difficulty level and list of required components for each project You ll learn how to design custom circuits with Proto Shields and solder parts to the prototyping area to build professional quality devices Catapult your Arduino skills to the next level with this hands on guide Build these and many more innovative Arduino creations Persistence of vision POV display High power LED controller Color recognizer RFID door lock Fake dog Person counter Laser alarm Theramin like instrument FM radio receiver Email notifier Network temperature and humidity sensor Seven segment LED clock Larson scanner Conway s game of life Singing plant Ultrasonic rangefinder Temperature and light logger Autoranging capacitance meter Geiger counter

Arduino Programming using MATLAB

Agus Kurniawan, 2015-09-12 MATLAB has a feature to enable Arduino development via MATLAB Support Package for Arduino Hardware since MATLAB 2014a This book helps you to develop Arduino program using MATLAB The following is highlight topics Preparing Development Environment Setting Arduino Development for MATLAB Working with Digital I O Working with PWM and Analog Input Working with I2C Working with SPI Working with Servo Motor Measuring and Plotting Sensor

Data in Real Time **Arduino Capacitance Meter, GPS Clock, Vehicle Tracker, Snake Game on 8x8 Matrix, Applaud Switch Etc..**, Ambika Parameswari K, Anbazhagan K, 2019-11-13 This book is specially described about best IOT Projects with the simple explanation From this book you can get lots of information about the IOT and How the Projects are developed You can get an information about the free cloud services and effective way to apply in your projects you can get how to program and create a proper automation in IOT products Which is helpful for the starting stage people but they must know about internet of things You will know how to process the microchip controller and new software for working You can gain lots of project knowlegde from this book and i am sure if you done this book you have a IOT Knowlegde From this you can get lot of new ideas why are u waiting for and get it my friend we really proud to present this book for u Thank u **Arduino LED Strip Projects** Robert J. Davis, II, 2018-02-07 How to Build LED Signs with Addressable LED s and the Arduino UNO with software examples **Arduino for Arduinians** John Boxall, 2023-10-24 Guided by an expert craftsman with over 30 years of experience you ll build 70 awesome Arduino projects and emerge a true Arduinian ready to invent your own complex creations For Arduino programmers who ve mastered the basics this book is the next step toward becoming an expert Arduinian You ll build 70 complex and practical projects with this versatile microcontroller platform and gain advanced skills to design reliable professional user friendly creations You ll remote control your Arduino via Bluetooth and instant messaging improve the accuracy of clock projects with internet time servers and automatically turn your Arduino off when it completes a task You ll safely control AC mains power and higher currents and conserve battery with low power and sleep modes You ll also use Charlieplexing to control LED matrix displays keep your Arduino running with a watchdog timer communicate over longer wired distances with the RS232 and RS485 buses and much more Along the way you ll build fun and useful devices like A camera enabled circuit to stream videos An MP3 player to listen to audio of your choice A CAN bus circuit to gather speed and engine data from your car A web server to display data captured with an ESP32 board A PS 2 keyboard to improve your user interfaces and easily enter and display data Guided by an Arduino master you ll harness dozens of sensors motors displays and techniques to bring your own expert inventions to life Requirements Arduino Uno and other Arduino compatible microcontrollers and USBasp programmers Some projects may require other inexpensive parts

Ignite the flame of optimism with its motivational masterpiece, **Arduino Projects With 8x8 Led Matrix Sdocuments** . In a downloadable PDF format (*), this ebook is a beacon of encouragement. Download now and let the words propel you towards a brighter, more motivated tomorrow.

https://py.bijouxmedusa.com/results/book-search/default.aspx/Wongs_Essentials_Of_Pediatric_Nursing_9e_Free.pdf

Table of Contents Arduino Projects With 8x8 Led Matrix Sdocuments

1. Understanding the eBook Arduino Projects With 8x8 Led Matrix Sdocuments
 - The Rise of Digital Reading Arduino Projects With 8x8 Led Matrix Sdocuments
 - Advantages of eBooks Over Traditional Books
2. Identifying Arduino Projects With 8x8 Led Matrix Sdocuments
 - Exploring Different Genres
 - Considering Fiction vs. Non-Fiction
 - Determining Your Reading Goals
3. Choosing the Right eBook Platform
 - Popular eBook Platforms
 - Features to Look for in an Arduino Projects With 8x8 Led Matrix Sdocuments
 - User-Friendly Interface
4. Exploring eBook Recommendations from Arduino Projects With 8x8 Led Matrix Sdocuments
 - Personalized Recommendations
 - Arduino Projects With 8x8 Led Matrix Sdocuments User Reviews and Ratings
 - Arduino Projects With 8x8 Led Matrix Sdocuments and Bestseller Lists
5. Accessing Arduino Projects With 8x8 Led Matrix Sdocuments Free and Paid eBooks
 - Arduino Projects With 8x8 Led Matrix Sdocuments Public Domain eBooks
 - Arduino Projects With 8x8 Led Matrix Sdocuments eBook Subscription Services
 - Arduino Projects With 8x8 Led Matrix Sdocuments Budget-Friendly Options
6. Navigating Arduino Projects With 8x8 Led Matrix Sdocuments eBook Formats

- ePub, PDF, MOBI, and More
 - Arduino Projects With 8x8 Led Matrix Sdocuments Compatibility with Devices
 - Arduino Projects With 8x8 Led Matrix Sdocuments Enhanced eBook Features
7. Enhancing Your Reading Experience
 - Adjustable Fonts and Text Sizes of Arduino Projects With 8x8 Led Matrix Sdocuments
 - Highlighting and Note-Taking Arduino Projects With 8x8 Led Matrix Sdocuments
 - Interactive Elements Arduino Projects With 8x8 Led Matrix Sdocuments
 8. Staying Engaged with Arduino Projects With 8x8 Led Matrix Sdocuments
 - Joining Online Reading Communities
 - Participating in Virtual Book Clubs
 - Following Authors and Publishers Arduino Projects With 8x8 Led Matrix Sdocuments
 9. Balancing eBooks and Physical Books Arduino Projects With 8x8 Led Matrix Sdocuments
 - Benefits of a Digital Library
 - Creating a Diverse Reading Collection Arduino Projects With 8x8 Led Matrix Sdocuments
 10. Overcoming Reading Challenges
 - Dealing with Digital Eye Strain
 - Minimizing Distractions
 - Managing Screen Time
 11. Cultivating a Reading Routine Arduino Projects With 8x8 Led Matrix Sdocuments
 - Setting Reading Goals Arduino Projects With 8x8 Led Matrix Sdocuments
 - Carving Out Dedicated Reading Time
 12. Sourcing Reliable Information of Arduino Projects With 8x8 Led Matrix Sdocuments
 - Fact-Checking eBook Content of Arduino Projects With 8x8 Led Matrix Sdocuments
 - Distinguishing Credible Sources
 13. Promoting Lifelong Learning
 - Utilizing eBooks for Skill Development
 - Exploring Educational eBooks
 14. Embracing eBook Trends
 - Integration of Multimedia Elements
 - Interactive and Gamified eBooks

Arduino Projects With 8x8 Led Matrix Sdocuments Introduction

In the digital age, access to information has become easier than ever before. The ability to download Arduino Projects With 8x8 Led Matrix Sdocuments has revolutionized the way we consume written content. Whether you are a student looking for course material, an avid reader searching for your next favorite book, or a professional seeking research papers, the option to download Arduino Projects With 8x8 Led Matrix Sdocuments has opened up a world of possibilities. Downloading Arduino Projects With 8x8 Led Matrix Sdocuments provides numerous advantages over physical copies of books and documents. Firstly, it is incredibly convenient. Gone are the days of carrying around heavy textbooks or bulky folders filled with papers. With the click of a button, you can gain immediate access to valuable resources on any device. This convenience allows for efficient studying, researching, and reading on the go. Moreover, the cost-effective nature of downloading Arduino Projects With 8x8 Led Matrix Sdocuments has democratized knowledge. Traditional books and academic journals can be expensive, making it difficult for individuals with limited financial resources to access information. By offering free PDF downloads, publishers and authors are enabling a wider audience to benefit from their work. This inclusivity promotes equal opportunities for learning and personal growth. There are numerous websites and platforms where individuals can download Arduino Projects With 8x8 Led Matrix Sdocuments. These websites range from academic databases offering research papers and journals to online libraries with an expansive collection of books from various genres. Many authors and publishers also upload their work to specific websites, granting readers access to their content without any charge. These platforms not only provide access to existing literature but also serve as an excellent platform for undiscovered authors to share their work with the world. However, it is essential to be cautious while downloading Arduino Projects With 8x8 Led Matrix Sdocuments. Some websites may offer pirated or illegally obtained copies of copyrighted material. Engaging in such activities not only violates copyright laws but also undermines the efforts of authors, publishers, and researchers. To ensure ethical downloading, it is advisable to utilize reputable websites that prioritize the legal distribution of content. When downloading Arduino Projects With 8x8 Led Matrix Sdocuments, users should also consider the potential security risks associated with online platforms. Malicious actors may exploit vulnerabilities in unprotected websites to distribute malware or steal personal information. To protect themselves, individuals should ensure their devices have reliable antivirus software installed and validate the legitimacy of the websites they are downloading from. In conclusion, the ability to download Arduino Projects With 8x8 Led Matrix Sdocuments has transformed the way we access information. With the convenience, cost-effectiveness, and accessibility it offers, free PDF downloads have become a popular choice for students, researchers, and book lovers worldwide. However, it is crucial to engage in ethical downloading practices and prioritize personal security when utilizing online platforms. By doing so, individuals can make the most of the vast array of free PDF resources available and embark on a journey of continuous learning and intellectual growth.

FAQs About Arduino Projects With 8x8 Led Matrix Sdocuments Books

1. Where can I buy Arduino Projects With 8x8 Led Matrix Sdocuments books? Bookstores: Physical bookstores like Barnes & Noble, Waterstones, and independent local stores. Online Retailers: Amazon, Book Depository, and various online bookstores offer a wide range of books in physical and digital formats.
2. What are the different book formats available? Hardcover: Sturdy and durable, usually more expensive. Paperback: Cheaper, lighter, and more portable than hardcovers. E-books: Digital books available for e-readers like Kindle or software like Apple Books, Kindle, and Google Play Books.
3. How do I choose a Arduino Projects With 8x8 Led Matrix Sdocuments book to read? Genres: Consider the genre you enjoy (fiction, non-fiction, mystery, sci-fi, etc.). Recommendations: Ask friends, join book clubs, or explore online reviews and recommendations. Author: If you like a particular author, you might enjoy more of their work.
4. How do I take care of Arduino Projects With 8x8 Led Matrix Sdocuments books? Storage: Keep them away from direct sunlight and in a dry environment. Handling: Avoid folding pages, use bookmarks, and handle them with clean hands. Cleaning: Gently dust the covers and pages occasionally.
5. Can I borrow books without buying them? Public Libraries: Local libraries offer a wide range of books for borrowing. Book Swaps: Community book exchanges or online platforms where people exchange books.
6. How can I track my reading progress or manage my book collection? Book Tracking Apps: Goodreads, LibraryThing, and Book Catalogue are popular apps for tracking your reading progress and managing book collections. Spreadsheets: You can create your own spreadsheet to track books read, ratings, and other details.
7. What are Arduino Projects With 8x8 Led Matrix Sdocuments audiobooks, and where can I find them? Audiobooks: Audio recordings of books, perfect for listening while commuting or multitasking. Platforms: Audible, LibriVox, and Google Play Books offer a wide selection of audiobooks.
8. How do I support authors or the book industry? Buy Books: Purchase books from authors or independent bookstores. Reviews: Leave reviews on platforms like Goodreads or Amazon. Promotion: Share your favorite books on social media or recommend them to friends.
9. Are there book clubs or reading communities I can join? Local Clubs: Check for local book clubs in libraries or community centers. Online Communities: Platforms like Goodreads have virtual book clubs and discussion groups.
10. Can I read Arduino Projects With 8x8 Led Matrix Sdocuments books for free? Public Domain Books: Many classic books are available for free as they're in the public domain. Free E-books: Some websites offer free e-books legally, like Project Gutenberg or Open Library.

Find Arduino Projects With 8x8 Led Matrix Sdocuments :

~~wongs essentials of pediatric nursing 9e free~~

~~worship is for kids too~~

~~why suya sing a musical anthropology of an amazonian people~~

wiley property valuation 2nd edition peter wyatt

~~winger 1 andrew smith~~

wolfgang iser the act of reading

~~woodworking questions and answers~~

~~wood wollenberg solution manual~~

world history volume ii since 1500

~~working capital management problems and solutions pdf~~

~~zoom by istvan banyai ppt~~

~~wonder the julian chapter~~

~~workshop theory and practice mechanical engineering~~

~~west nottinghamshire college bksb maths pdfslibforyou~~

welded tubes en 10217 7 annealed not annealed

Arduino Projects With 8x8 Led Matrix Sdocuments :

alan moore imdb - May 25 2022

web 1 nomination known for the league of extraordinary gentlemen 5 8 writer 2003 from hell 6 7 writer

~~watchmen film wikipedia~~ - Sep 09 2023

web watchmen is a 2009 american superhero film based on the 1986 1987 dc comics limited series of the same name co created and illustrated by dave gibbons with co creator and author alan moore choosing to remain uncredited

watchmen wikipedia - Oct 10 2023

web watchmen is a comic book maxiseries by the british creative team of writer alan moore artist dave gibbons and colorist john higgins it was published monthly by dc comics in 1986 and 1987 before being collected in a single volume edition in 1987

~~watchmen by alan moore goodreads~~ - Aug 08 2023

web jan 1 2001 4 38 546 888 ratings16 911 reviews this hugo award winning graphic novel chronicles the fall from grace of

a group of super heroes plagued by all too human failings along the way the concept of the super hero is dissected as the heroes are stalked by an unknown assassin

amazon com tr alan moore kitap - Feb 19 2022

web alan moore kevin o neill ve diğlerleri 1 ağustos 2019 4 8 5 yıldız üzerinden 4 8 19 ciltsiz 15 mart tarihinde teslim alın standart teslimat ile kargo bedava watchmen ciltli alan moore dave gibbons ve diğlerleri 31 ekim 2019 4 4 5 yıldız üzerinden 4 4 51 ciltli kapak v for vendetta

alan moore wikipedia - Nov 30 2022

web alan moore born 18 november 1953 is an english author known primarily for his work in comic books including watchmen v for vendetta the ballad of halo jones swamp thing batman the killing joke and from hell

watchmen study guide literature guide litcharts - Oct 30 2022

web watchmen which was one of the first comics to subvert the superhero comic genre by depicting deeply flawed heroes was wildly successful and established alan moore as one of the most important comic book writers of all time

watchmen ciltli alan moore dave gibbons n can kantarcı - Apr 04 2023

web ücretsiz 899 00 tl tüm zamanların en çok satan grafik romanı ciltli edisyonuyla raflarda seksenli yılların ortasında alan moore ve dave gibbons çizgi roman tarihini kökten değıştiren ve popüler kültürün çizgi roman algısını yeni baştan yazan eşsiz bir

watchmen alan moore edessa kitabevi - Sep 28 2022

web seksenli yılların ortasında alan moore ve dave gibbons çizgi roman tarihini kökten değıştiren ve popüler kültürün çizgi roman algısını yeni baştan yazan eşsiz bir eser yarattılar watchmen sıklıkla çizgi romanların ciddiye alınmasını sağlayan ilk eser olduğu söylenen watchmen süper kahramanların çok

[watchmen by alan moore plot summary litcharts](#) - Apr 23 2022

web in 1985 detectives investigate the death of edward blake in new york city after an intruder threw him through the window of his high rise apartment after the police leave the costumed vigilante rorschach enters blake s apartment and starts his own investigation quickly discovering that blake was the comedian another masked vigilante

watchmen 2019 edition moore alan gibbons dave - Mar 03 2023

web may 20 2019 this edition of watchmen the groundbreaking series from alan moore the award winning author of v for vendetta and batman the killing joke features art from industry legend dave gibbons with high quality recolored pages found in watchmen absolute edition read more part of series watchmen

alan moore author of watchmen goodreads - Feb 02 2023

web alan moore is an english writer most famous for his influential work in comics including the acclaimed graphic novels

watchmen v for vendetta and from hell

[alan moore slams hbo s embarrassing watchmen tv series](#) - Mar 23 2022

web oct 19 2022 10 18 am pt if hbo s watchmen has even one hater it s the original comic s creator alan moore three years after the tv series debuted the english writer said he

[watchmen author alan moore i m definitely done with comics](#) - May 05 2023

web oct 7 2022 watchmen author alan moore i m definitely done with comics sam leith as he releases his first short story collection the revered writer talks about magic the problem with superhero

[watchmen alan moore fiyat satın al d r](#) - Jul 07 2023

web watchmen kitap açıklaması tüm zamanların en çok satan grafik romanı ciltli edisyonuyla raflarda seksenli yılların ortasında alan moore ve dave gibbons çizgi roman tarihini kökten değiştiren ve popüler kültürün çizgi roman algısını yeni baştan yazan eşsiz bir eser yarattılar watchmen

books by alan moore author of watchmen goodreads - Jul 27 2022

web alan moore has 1850 books on goodreads with 3066366 ratings alan moore s most popular book is watchmen

watchmen alan moore dave gibbons n can kantarcı - Jun 06 2023

web watchmen bir cinayet öyküsü olarak başlasa da kısa sürede tüm gezegeni ilgilendiren bir komplonun izleri ortaya çıkar nihayetinde tekrar bir araya gelmiş bu kahramanlar rorscach gece kuşu İpek hayalet dr manhattan ve ozymandias s inançlarının sınırlarını zorlamak ve iyi ile kötünün çizgisinin nereye çizileceğini

amazon com watchmen 9781852860240 alan moore books - Jan 01 2023

web may 13 2014 a new tv series based on watchmen will debut on hbo in 2019 by the creator of lost damon lindelof a murder mystery turned nationwide conspiracy watchmen examines the lives of the eponymous superhero team as they seem to decay alongside the ever darkening america around them

alan moore biography comics watchmen swamp thing facts - Aug 28 2022

web sep 29 2023 alan moore british writer whose works included some of the most influential books in comics history among his most notable comics are v for vendetta swamp thing watchmen from hell and the league of extraordinary gentlemen learn more about his life and career in this article

watchmen alan moore kitabı ve fiyatı hepsiburada - Jun 25 2022

web watchmen alan moore kitabı en iyi fiyatla burada tıkla watchmen alan moore eserini hızlı ve kolay bir şekilde satın al *gce chemistry b salters ocr* - Aug 17 2023

web gce chemistry b salters unit f335 chemistry by design advanced gce mark scheme for june 2014 oxford cambridge and rsa examinations ocr oxford cambridge and rsa is a leading uk awarding body providing a wide range of qualifications to

meet the needs of candidates of all ages and abilities

[june 2013 chemistry salters mark scheme f335 full pdf](#) - May 02 2022

web june 2013 chemistry salters mark scheme f335 3 3 and without hesitation this ebook contains 275 questions and answers for job interview and as a bonus web addresses to 289 video movies for a better understanding of the technological process this course covers aspects like hse process mechanical electrical and instrumentation control

chemistry f335 june 2013 mark scheme pdf download only - Feb 11 2023

web chemistry f335 june 2013 mark scheme pdf introduction chemistry f335 june 2013 mark scheme pdf download only chemistry 2023 science chemistry 2023 senior chemistry 1990 chemistry questions mark robert manning 1989 chemistry matters for gce o level yin toon tan 2000 gce a level chemistry b l tan 1996 ocr

[advanced gce unit f335 chemistry by design](#) - Jul 16 2023

web this mark scheme is published as an aid to teachers and students to indicate the requirements of the examination it shows the basis on which marks were awarded by examiners it does not indicate the details of the discussions which took place at an examiners meeting before marking commenced

[f335 june 2013 paper eagldemo2 eagltechnology com](#) - Jul 04 2022

web june 2013 ocr chemistry paper f335 june 2013 dear subscriber bearing in mind you are hunting the ocr chemistry paper f335 june 2013 amassing to contact this day this can be your referred book yeah even many books are offered this book can steal the reader heart so much ocr chemistry paper f335 june 2013 s2 kora comf335 mark scheme *chemistry f335 june 2013 mark scheme pdf ftp thechilworth co* - Oct 07 2022

web scheme advanced gce unit f335 chemistry by design f335 mark scheme june 2013 4 1 a iv ocoho h 1hydrogen bond shown as in diagram or by dashed line with bond shown straight less than 20 o angle with h o 2partial charges as shown for any one hydrogen bond 3lone pair on co2 oxygendownload june 2013 f335 mark

gce chemistry b salters ocr - Apr 13 2023

web unit f335 chemistry by design advanced gce mark scheme for june 2016 oxford cambridge and rsa examinations ocr oxford cambridge and rsa is a leading uk awarding body providing a wide range of qualifications to meet the needs of candidates of all ages and abilities

june 2013 chemistry salters mark scheme f335 copy - Apr 01 2022

web 4 june 2013 chemistry salters mark scheme f335 2022 07 21 realising that recycling is essential for environmental sustainability and can improve the cost of manufacture the volume of rubber waste produced globally makes it difficult to manage as accumulated waste rubber especially in the form of tyres can pose a significant fire risk

[ocr f335 june 2013 mark scheme orientation sutd edu sg](#) - Sep 18 2023

web ocr f335 june 2013 mark scheme ocr f335 june 2013 mark scheme as a level gce chemistry b salters h035 h435 ocr identification of ester chemical test the student room as a level gce chemistry b salters h035 h435 ocr january 4th 2018 ocr as a level gce chemistry b salters qualification information including specification exam

[gce chemistry b salters ocr](#) - Mar 12 2023

web gce chemistry b salters unit f335 chemistry by design advanced gce mark scheme for june 2015 oxford cambridge and rsa examinations ocr oxford cambridge and rsa is a leading uk awarding body providing a wide range of qualifications to meet the needs of candidates of all ages and abilities

[mark scheme unit 5 june 2013 f325 01 a level chemistry](#) - Jun 15 2023

web chemistry ocr a h434 unit 5 jun 2013 mark scheme paper code f325 01 view the mark scheme of unit 5 june 2013 of the a level chemistry ocr a h434 syllabus

mark scheme unit f335 chemistry by design june - Feb 28 2022

web no category mark scheme unit f335 chemistry by design june

[advanced gce unit f335 chemistry by design](#) - Oct 19 2023

web f335 mark scheme june 2013 5 question answer marks guidance 1 c co₃ 2 carbonate 1 1 d h concentrations are 6 62 x 10 9 8 53 x 10 9 mol dm³ or 10 8 179 and 10 8 069 1 91 x 100 6 62 29 2 allow any number of sig figs including 1sf 30 correct answer any number rounding to 29 or 30 without

june 2013 chemistry salters mark scheme f335 - Sep 06 2022

web june 2013 chemistry salters mark scheme f335 as a level gce chemistry b salters h035 h435 ocr as a level gce chemistry b salters h035 h435 ocr may 13th 2018 ocr as a level gce chemistry b salters qualification information including specification exam materials teaching resources learning resources copyright code

chemistry f335 june 2013 mark scheme full pdf mail dresshead - Aug 05 2022

web 2013 05 30 1 20 chemistry f335 june 2013 mark scheme chemistry f335 june 2013 mark scheme full pdf progress in pattern recognition image analysis computer vision and applications high efficiency video coding hevc capital and time ocr chemistry walter camp tuesdays with jack an atlas of the himalayas by a 19th century tibetan

advanced gce unit f325 equilibria energetics and elements - Nov 08 2022

web f325 mark scheme june 2013 8 question answer marks guidance 3 a first check the answer on answer line if answer 16 8 with no units award 5 marks at equilibrium n i₂ or i₂ g 4 00 x 10 3 1 70 x 10 3 2 30 x 10 3 mol mol dm³

advanced gce unit f335 chemistry by design - May 14 2023

web this mark scheme is published as an aid to teachers and students to indicate the requirements of the examination it shows the basis on which marks were awarded by examiners it does not indicate the details of the discussions which took

place at an examiners meeting before marking commenced

chemistry by design - Jan 10 2023

web this mark scheme is published as an aid to teachers and students to indicate the requirements of the examination it shows the basis on which marks were awarded by examiners it does not indicate the details of the discussions which took place at an examiners meeting before marking commenced

ocr f335 june 2013 mark scheme subsites imoney my - Jun 03 2022

web sep 16 2023 chemistry b salters h035 h435 ocr identification of ester chemical test the student room june 23rd 2018 ocr f335 june 2013 mark scheme author subsites imoney my 2023 09 16 07 22 27 subject ocr f335 june 2013 mark scheme keywords ocr f335 june 2013 mark scheme created date

june 2013 chemistry salters mark scheme f335 - Dec 09 2022

web june 2013 chemistry salters mark scheme f335 the norton anthology of poetry sep 03 2020 the fifth edition retains the flexibility and breadth of selection that has defined this classic anthology while improved and expanded editorial apparatus make it an even more useful teaching tool edexcel a level chemistry student book 2 jul 26 2022

van life the drive s guide to building your perfect - Dec 06 2022

web organized by style and make the book dives deep into the world of vans separating into sections like volkswagen vans american made vans japanese vans sprinter vans

read van life your home on the road by full books online in - Oct 24 2021

van life your home on the road kindle edition - Apr 29 2022

web oct 10 2017 van life your home on the road by foster huntington artist write a review hardcover 26 00 hardcover 26 00 ebook 12 99 view all available formats

van life inspiration for your home on the road for kindle - Jan 27 2022

13 best vanlife books inspiring books for nomad travellers - Feb 08 2023

web showcasing hundreds of funky vehicles awe inspiring landscapes and cleverly designed interiors in tiny spaces from around the world van life is perfect for who anyone

amazon co uk customer reviews van life inspiration for your - Nov 05 2022

web oct 10 2017 with hundreds of funky vehicles awe inspiring landscapes and cleverly designed interiors in tiny spaces van life is perfect for anyone who dreams about living

van life inspiration for your home on the road z lib - Mar 09 2023

web find helpful customer reviews and review ratings for van life inspiration for your home on the road at amazon com read honest and unbiased product reviews from our users

20 must read van life books for inspiration adventure - Dec 26 2021

31 camper van ideas for van life inspiration build - Jun 12 2023

web showcasing hundreds of funky vehicles awe inspiring landscapes and cleverly designed interiors in tiny spaces from around the world van life is perfect for who anyone

van life your home on the road way out vanlife - Feb 25 2022

web we find the money for van life inspiration for your home on the road and numerous book collections from fictions to scientific research in any way accompanied by them is

van life inspiration for your home on the road hudson 2023 - Sep 22 2021

van life inspiration for your home on the road - Aug 14 2023

web showcasing hundreds of gorgeous and inspirational photographs of vans in idyllic settings from around the world van life is perfect for anyone who daydreams about life off the

van life inspiration for your home on the road anna s archive - May 11 2023

web 13 best vanlife books inspiring books for nomad travellers this post may contain affiliate links from which we earn an income there s no denying that vanlife offers the kind of

van life your home on the road amazon com - Jul 13 2023

web showcasing hundreds of funky vehicles awe inspiring landscapes and cleverly designed interiors in tiny spaces from around the world van life is perfect for who anyone

full version van life inspiration for your home on the road for - Mar 29 2022

web read van life your home on the road by full books online in hd quality newreleasesbook subscribe to read join today and start reading your favorite books

van life your home on the road hardcover amazon co uk - Oct 04 2022

web view kindle edition with hundreds of funky vehicles awe inspiring landscapes and cleverly designed interiors in tiny spaces van life is perfect for anyone who dreams

van life your home on the road google books - Jul 01 2022

web nov 16 2020 click here to download01 blogspot com book 0316556440 showcasing hundreds of gorgeous and inspirational photographs of vehicles in idyllic

[vanlife your home on the road](#) - Aug 02 2022

web apr 5 2022 16 best vanlife vans to convert into a campervan tiny home feb 4 2022 uncategorized do you dream about a weekend camper or full time van life if

[15 van life essentials for life on the road in 2021 best products](#) - Jan 07 2023

web jun 16 2023 1 living in a van is economical living in a brick and mortar space is expensive when you choose to live in a van you can drastically reduce your cost of

[van life your home on the road hardcover barnes noble](#) - Nov 24 2021

van life your home on the road amazon ca - May 31 2022

web mar 16 2023 so i put together this list of the best van life books to share some of my favorites with you these books are chock full of van life inspiration tips for life on the

[living in a van the full guide to van life 2023 mindseteco](#) - Sep 03 2022

web oct 5 2020 organized into sections like volkswagen vans american vans converted vans school buses and more the hundreds of photos include shots of the unique

van life how to your complete guide to life on the - Apr 10 2023

web jul 27 2021 from compact projectors for movies under the stars to towelettes that will have you smelling squeaky clean we ve rounded up our favorite van life essentials that